



US00D979240S

(12) **United States Design Patent**
Tran et al.

(10) **Patent No.:** **US D979,240 S**

(45) **Date of Patent:** **** Feb. 28, 2023**

(54) **WALLET**

D360,815 S 8/1995 Padden
D374,388 S 10/1996 Padden
D384,499 S 10/1997 Gaestel
5,944,080 A 8/1999 Podwika

(Continued)

(71) Applicant: **Dango Products, LLC**, Portola Valley, CA (US)

(72) Inventors: **Thuan Tran**, Santa Clara, CA (US);
Charlie Carroll, Palo Alto, CA (US);
Binh Tran, Santa Clara, CA (US)

(73) Assignee: **Dango Products, LLC**, Portola Valley, CA (US)

(**) Term: **15 Years**

(21) Appl. No.: **29/778,443**

(22) Filed: **Apr. 13, 2021**

Related U.S. Application Data

(63) Continuation of application No. 17/227,204, filed on Apr. 9, 2021, now Pat. No. 11,178,947.

(51) **LOC (14) Cl.** **03-01**

(52) **U.S. Cl.**
USPC **D3/247**

(58) **Field of Classification Search**
USPC ... D3/203.1, 203.6, 205–208, 212, 215, 226,
D3/228, 230, 247–253, 265, 266, 273,
D3/283, 288, 289, 318, 321, 323, 324,
D3/326

CPC A45C 2001/067; A45C 2001/065; A45C
1/06; A45C 2001/083

See application file for complete search history.

(56) **References Cited**

U.S. PATENT DOCUMENTS

3,461,469 A 8/1969 Morrison
D266,479 S 10/1982 Hayakawa
4,763,821 A 8/1988 Powell
D314,865 S 2/1991 Tuisku
D322,039 S 12/1991 Chien

FOREIGN PATENT DOCUMENTS

CN 305992507 * 8/2020
CN 306924723 * 11/2021
KR 20140003803 U 6/2014

OTHER PUBLICATIONS

Dapper Wallet, dangoproducts.com, first available 2022, retrieved online, online, <https://www.dangoproducts.com/products/d01-dapper-wallet> (Year: 2022).*

(Continued)

Primary Examiner — Mary Shannon Malley

Assistant Examiner — Dustin Andrew Griffith

(74) *Attorney, Agent, or Firm* — Gallium Law; Wesley Schwie, Esq.; Isabel Fox

(57) **CLAIM**

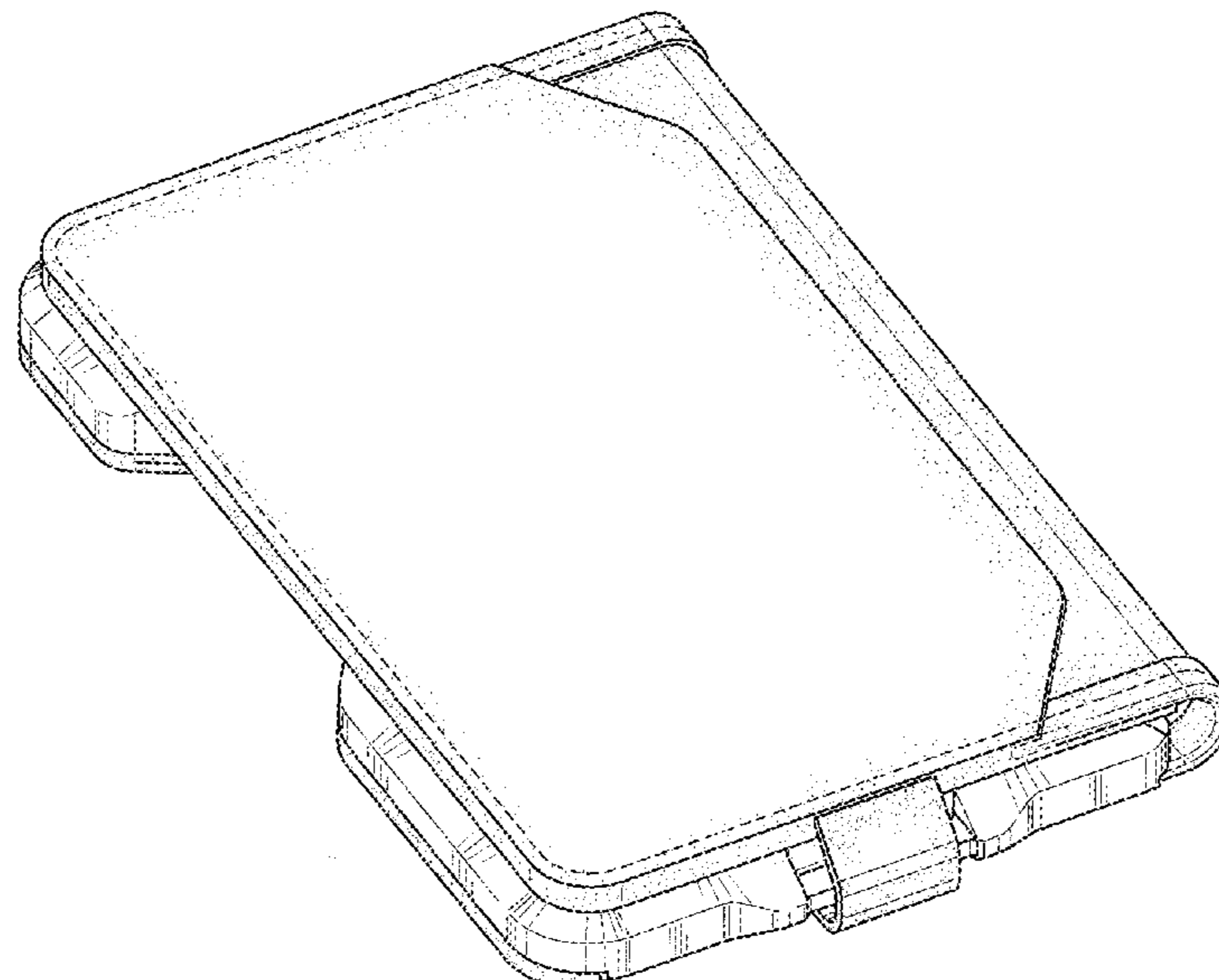
The ornamental design for a wallet, as shown and described.

DESCRIPTION

FIG. 1 is a front, first side, and bottom perspective view of a wallet embodying the new design;
FIG. 2 is a back, first side, and top perspective view thereof;
FIG. 3 is a front view thereof;
FIG. 4 is a back view thereof;
FIG. 5 is a top view thereof;
FIG. 6 is a bottom view thereof;
FIG. 7 is a first side view thereof; and,
FIG. 8 is a second side view thereof.

The evenly dashed broken lines on claimed surfaces depict stitching and form no part of the claimed design.

1 Claim, 8 Drawing Sheets



(56)

References Cited

U.S. PATENT DOCUMENTS

D416,581 S 11/1999 Cheng
 6,009,584 A 1/2000 Padden
 6,044,967 A 4/2000 Painsith
 6,076,665 A 6/2000 Chuang
 D431,105 S 9/2000 Ling
 6,145,994 A 11/2000 Ng
 D434,624 S 12/2000 Padden
 6,276,414 B1 5/2001 Bibb
 D444,060 S 6/2001 Elsener
 6,347,875 B1 2/2002 Painsith
 D462,000 S 8/2002 Hightower
 6,427,837 B1 8/2002 Shields
 6,460,698 B1 10/2002 Wang
 6,823,910 B1 11/2004 Elnekaveh
 D517,390 S 3/2006 Cheng
 7,334,616 B2 2/2008 Kaminski
 7,604,028 B2 10/2009 Bridgefarmer
 7,918,335 B1 4/2011 Kitchen
 8,251,210 B2 8/2012 Schmidt
 D685,990 S 7/2013 Zhang
 D690,931 S 10/2013 Minn
 8,567,459 B2 10/2013 Kitchen
 D695,013 S 12/2013 Minn
 D701,043 S 3/2014 Minn
 8,726,952 B2 5/2014 Jambunathan
 D706,271 S * 6/2014 Gelsomini D14/440
 D707,091 S 6/2014 Barr
 9,125,464 B2 9/2015 Minn
 9,125,465 B2 9/2015 Beckley
 D743,760 S 11/2015 Barr
 D751,877 S 3/2016 Shlaferman
 D755,764 S 5/2016 Dong
 9,339,094 B2 5/2016 Tucker-Skow
 D765,487 S 9/2016 Barr
 D768,383 S 10/2016 Wu
 D772,678 S 11/2016 Haarburger
 D775,824 S 1/2017 King
 D780,449 S 3/2017 King
 9,648,931 B2 5/2017 Sha
 9,661,908 B2 5/2017 Mayer
 D792,749 S 7/2017 Faro
 D798,591 S 10/2017 King
 D799,301 S 10/2017 Cetera
 9,775,328 B1 10/2017 Fidrych
 9,815,212 B2 11/2017 Barr
 D805,873 S 12/2017 Cetera
 D806,386 S 1/2018 King
 D808,765 S 1/2018 Kisling
 9,907,375 B1 3/2018 Kitchen
 D814,182 S 4/2018 Haarburger
 D814,183 S 4/2018 Haarburger
 D815,932 S 4/2018 Lee
 D815,935 S 4/2018 Barak
 D817,196 S 5/2018 Haarburger
 D817,316 S 5/2018 Srouf
 D827,408 S 9/2018 Stefanczyk-Lacor
 10,080,409 B2 9/2018 King
 D831,349 S 10/2018 Deng
 10,123,596 B2 11/2018 King
 D835,410 S 12/2018 Chan
 10,206,473 B2 2/2019 Haarburger
 D842,070 S 3/2019 Kisling
 D845,623 S 4/2019 Sullivan
 D856,956 S 8/2019 Liu
 10,368,618 B2 8/2019 Richards
 D860,645 S 9/2019 Wu
 D866,177 S 11/2019 Leh
 D866,178 S 11/2019 Jin
 D866,276 S 11/2019 Shlaferman
 D866,964 S 11/2019 Tran
 D868,463 S * 12/2019 Tran D3/249
 10,512,316 B2 12/2019 Haarburger
 D875,490 S 2/2020 Barr
 D877,594 S 3/2020 Liang
 D878,891 S 3/2020 Polczynski

D878,893 S 3/2020 Kao
 D879,580 S 3/2020 Spater
 10,595,611 B2 3/2020 Berkley
 D881,671 S 4/2020 Kao
 D884,339 S 5/2020 Li
 D884,792 S 5/2020 Swallow
 D887,708 S 6/2020 Tran
 10,791,808 B2 10/2020 Kane
 D904,016 S 12/2020 Jacobsen
 D908,351 S 1/2021 Hoffman
 D934,560 S * 11/2021 Tran D3/247
 11,178,947 B2 * 11/2021 Tran A45C 11/182
 D950,240 S * 5/2022 Tran D3/247
 D950,241 S * 5/2022 Tran D3/247
 D951,632 S * 5/2022 Tran D3/247
 D967,626 S * 10/2022 Tran D3/249
 2002/0179463 A1 12/2002 Newman
 2009/0199940 A1 8/2009 Toner
 2012/0228168 A1 9/2012 Kitchen
 2013/0056119 A1 3/2013 Henriette
 2013/0276943 A1 10/2013 Minn et al.
 2014/0143958 A1 5/2014 Barr
 2015/0240524 A1 8/2015 Olroyd
 2016/0374443 A1 12/2016 Kim
 2017/0035169 A1 2/2017 Haarburger
 2017/0119115 A1 5/2017 King
 2017/0265610 A1 9/2017 Smith
 2018/0325228 A1 11/2018 Leimer
 2019/0008253 A1 1/2019 Deng
 2020/0077758 A1 3/2020 Hoffman
 2020/0229557 A1 7/2020 Tran
 2020/0379509 A1 12/2020 Coward
 2021/0112935 A1 4/2021 Tran
 2021/0330045 A1 * 10/2021 Tran A45C 11/182

OTHER PUBLICATIONS

M1 Maverick™ Tactical Bifold Wallet, dangoproducts.com, first available 2022, retrieved online, online, <https://www.dangoproducts.com/collections/m1-maverick-wallets/products/m1-maverick-tactical-bifold-wallet-raw> (Year: 2022).*

Dango Products—Wallet Collections—Web page <URL: www.dangoproducts.com/collections/wallets>—Available at least as of Oct. 19, 2017—Retrieved from Internet Archive Wayback Machine <URL: <https://web.archive.org/web/20171019082039/www.dangoproducts.com/collections/wallets>> on Oct. 23, 2020.

Onward Innovation—RFID Carbon Fiber Cash Strap Wallet—Downloaded Apr. 9, 2021—Available from Internet <URL: <https://onwardinnovation.com/products/rfid-carbon-fiber-cash-strap-wallet?variant=31920056205360¤cy=USD>>.

Ridge—Aluminum-Black—Downloaded Apr. 9, 2021—Available from Internet <URL: <https://ridge.com/products/aluminum-black?>>.

Titan X—Titan X | Pro Edition—Downloaded Apr. 9, 2021—Available from Internet <URL: <https://titanxwallet.com/products/edition?currency=USD&variant=33003264409643>>.

Alpine Swiss—Alpine Swiss Genuine Leather Super Thing Slim Cash Strap Front Pocket Wallet—Downloaded Apr. 9, 2021—Available from Internet <URL: <https://www.alpineswiss.com/alpine-swiss-genuine-leather-super-thin-slim-cash-strap-front-pocket-wallet/>>.

Simple Zone—Carbon Fiber Wallet for Men, Simple Zone RFID Blocking Slim Minimalist Card Holder Wallet with Money Clip and Cash Strap—First available Jun. 18, 2020—Downloaded Apr. 9, 2021—Available from Internet <URL: <https://www.amazon.com/Carbon-Simple-Zone-Blocking-Minimalist/dp/B08BG4G8GJ>>.

Dango Products—T01 Tactical Bifold Wallet-Spec-Ops-Blueline—Downloaded Apr. 9, 2021—Available from Internet <URL: <https://www.dangoproducts.com/products/t01-tactical-bifold-wallet-blueline-spec-ops?variant=21433891881044>>.

Dango Products—M1 Maverick Wallet—First available Jan. 12, 2019—Downloaded May 24, 2021—Available from Internet <URL: https://www.amazon.com/dp/B07MMDRGCV/ref=as_li_ss_tl?ie=UTF8&linkCode=sl1&tag=k1a209-20&linkId=8c261f44b8217cb2913188b624fa5e66&language=en_US>.

(56)

References Cited

OTHER PUBLICATIONS

Dango Products—M1 Maverick Bifold Wallet—Video by user Dango Products—First available Nov. 29, 2018—Downloaded May 24, 2021—Available from Internet <URL: https://www.youtube.com/watch?v=kqF_xCWWLOU>.

MURADIN—Dapper Leather Bifold Wallet—First available Nov. 22, 2020—Downloaded May 24, 2021—Available from Internet <URL: <https://www.amazon.com/MURADIN-Dapper-Leather-Bifold-Wallet/dp/B07ZPXH81N?>>.

Dango Products—A10 Adapt Wallet—Downloaded May 25, 2021—Available from Internet <URL: <https://www.dangoproducts.com/collections/a-series-wallets/products/a10-adapt-wallet>>.

Hanker—Carbon Fiber Aluminum Metal Minimalist Wallet—First available Feb. 7, 2019—Downloaded May 25, 2021—Available from Internet <URL: <https://www.amazon.com/Carbon-Aluminum-Minimalist-Wallet-Blocking/dp/B07NHK6P55>>.

ELV—ELV Badge Holder Wallet—First available Jan. 21, 2019—Downloaded May 25, 2021—Available from Internet <URL: <https://www.amazon.com/ELV-Badge-Holder-Wallet/dp/B07NJK6P55>>.

www.amazon.com/ELV-Aluminum-Release-Offices-License/dp/B07MZJYVBX/ref=asc_df_B07MZJYVBX/?tag=hyprod-20&linkCode=df0&hvadid=3121585283328hvpos=&hvnetw=g&hvrnd=11777945990320224546&hvpone=&hvptwo=&hvpqmt=&hvdev=c&hvfvcmdl=&hvlocint=&hvlocphy=9008148&hvtargid=pla-653426231968&psc=1.

Elephant Wallet—N Wallet Carbon Fiber-Fabric Rubber—Downloaded Mar. 17, 2021—Available from Internet <URL: <https://elephantwallet.com/products/n-wallet-carbon-fiber>>.

Elephant Wallet—How Does It Work (X Wallet)—Downloaded Mar. 17, 2021—Available from Internet <URL: <https://elephantwallet.com/pages/how-does-it-work>>.

Wallet Gear—Bifold Leather Wallet with Elastic Band—Downloaded Mar. 17, 2021—Available from Internet <URL: <https://www.walletgear.com/bifold-leather-wallet-with-elastic-band.html>>.

Curated Basics—Elastic Band Minimalist Wallet—Downloaded Mar. 17, 2021—Available from Internet <URL: <https://www.curatedbasics.com/products/elastic-band>>.

* cited by examiner

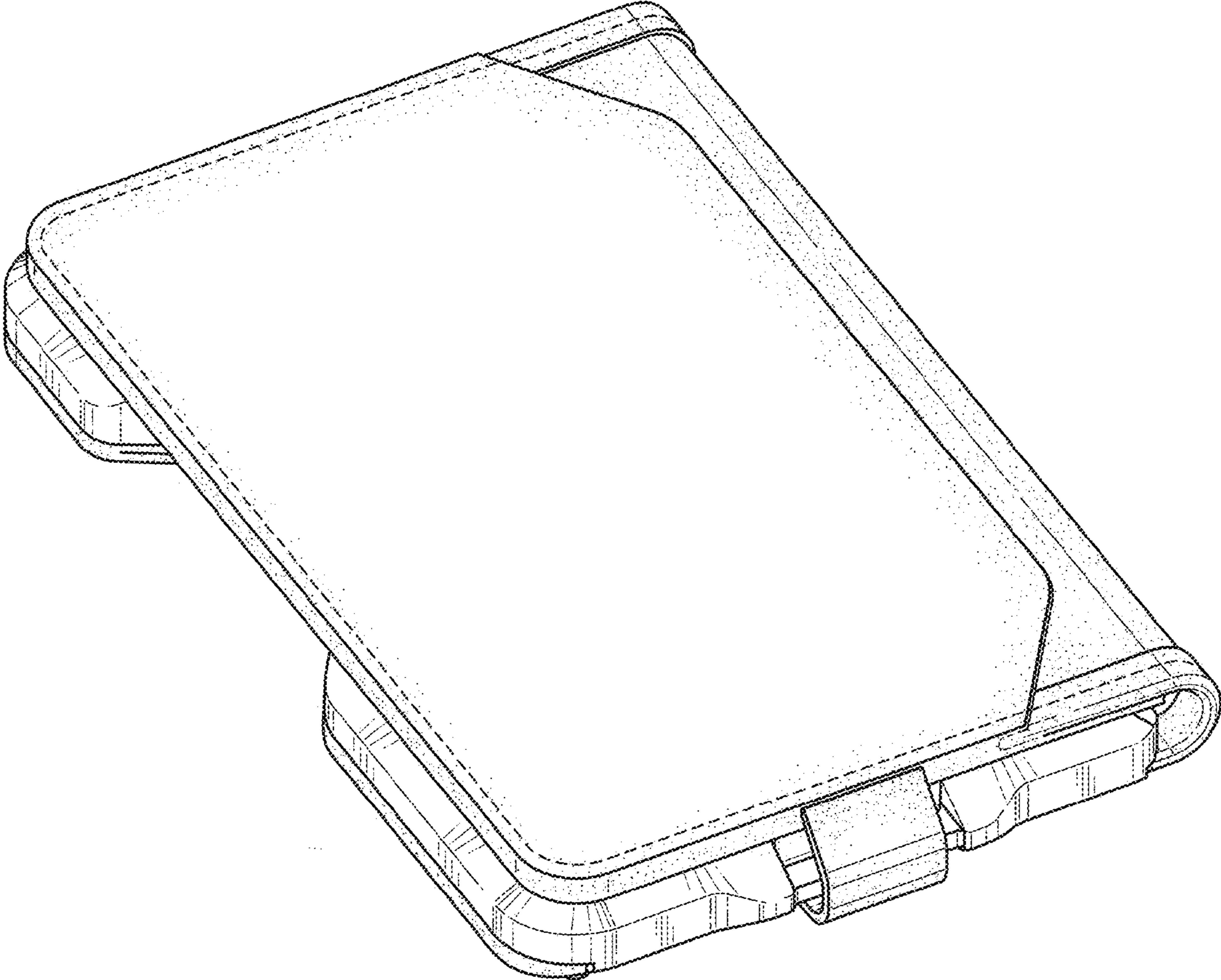


FIG. 1

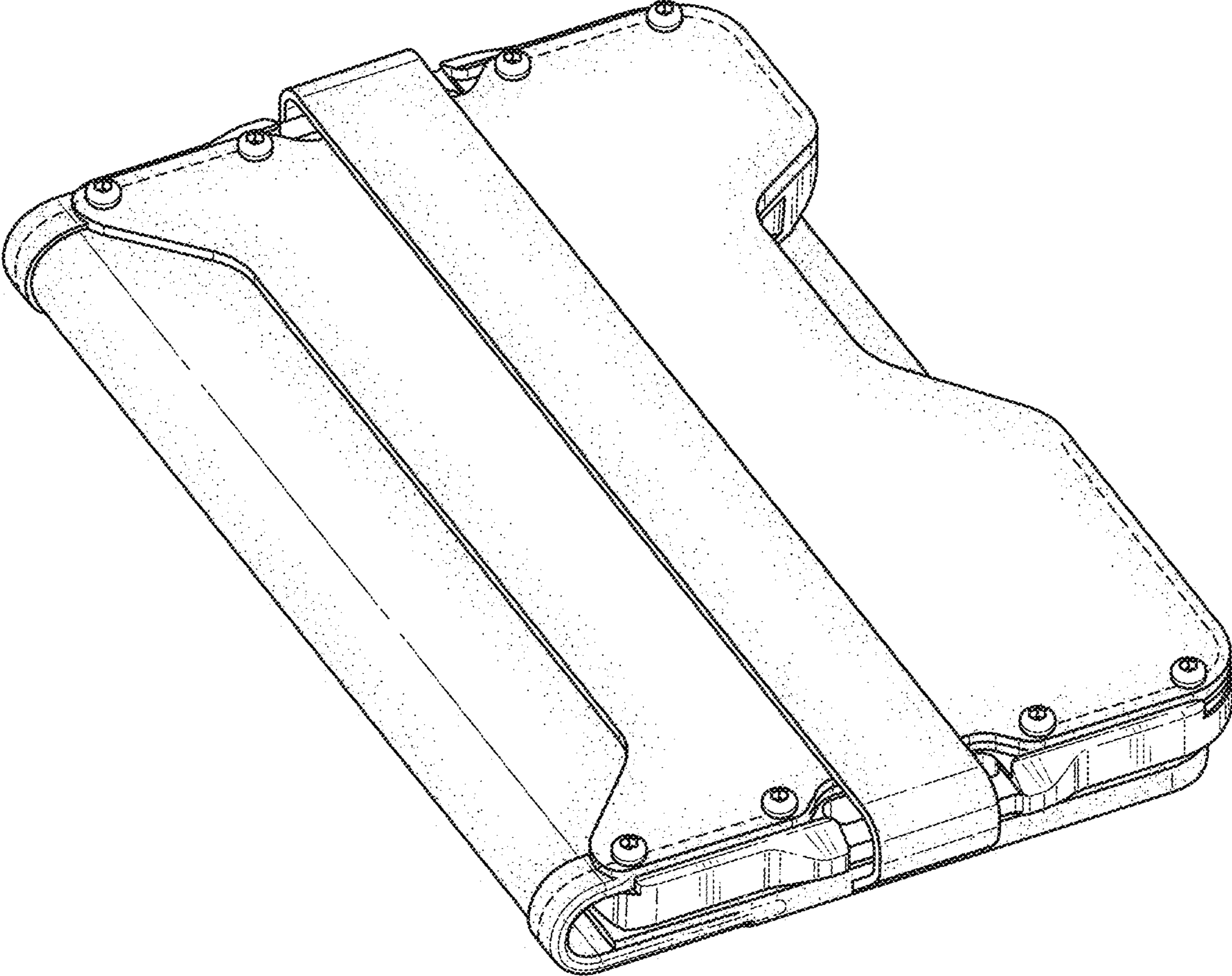


FIG. 2

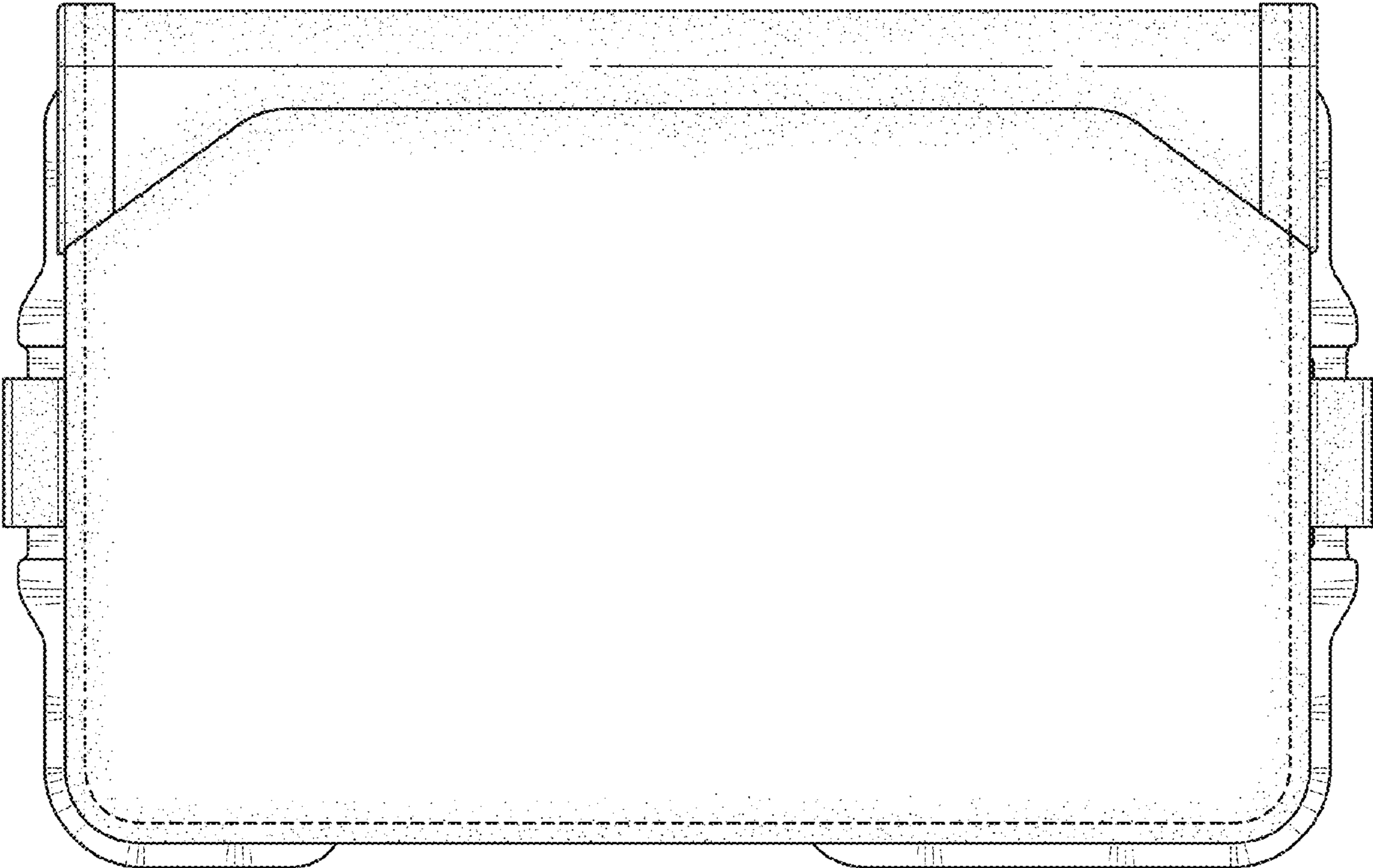


FIG. 3

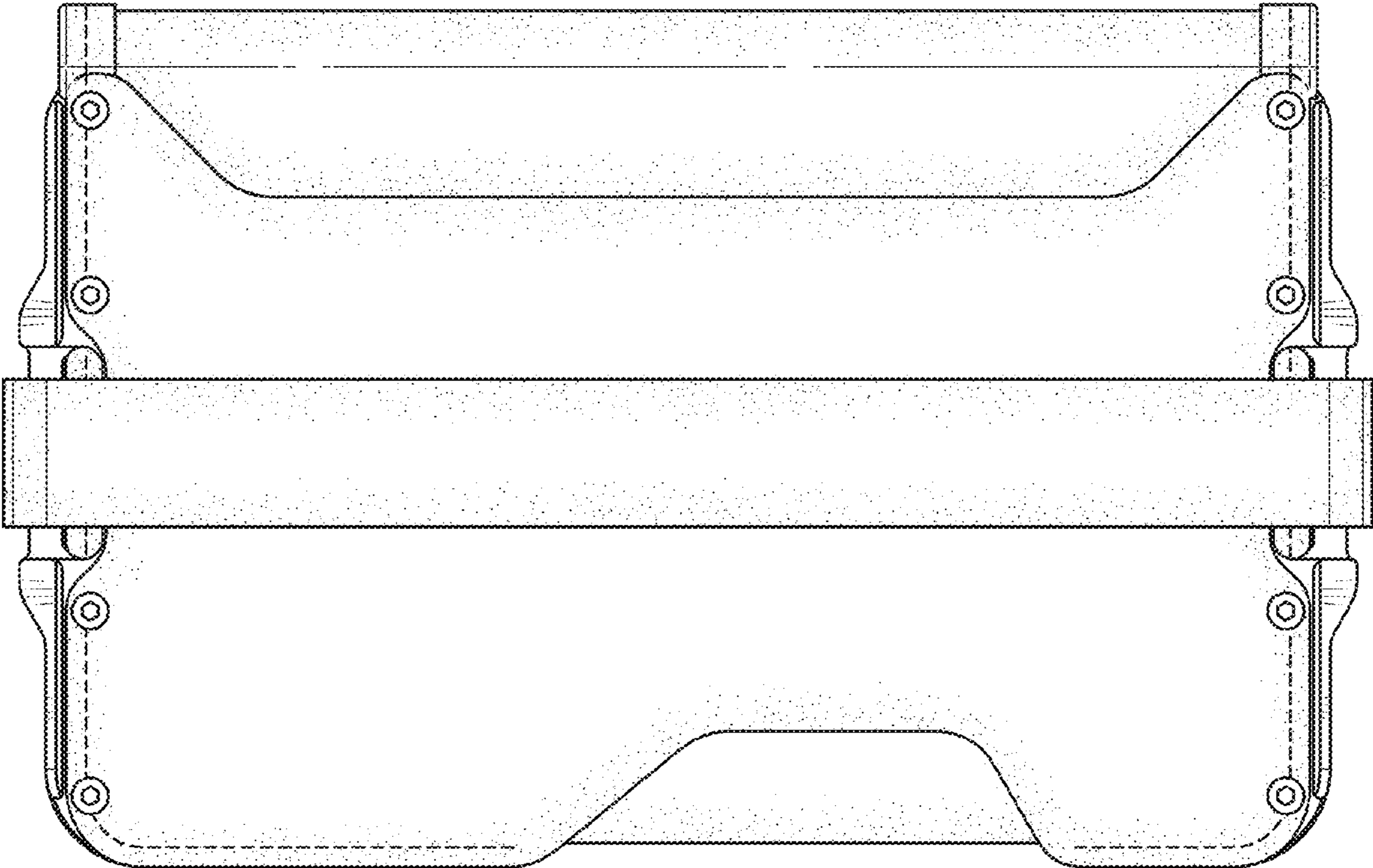


FIG. 4

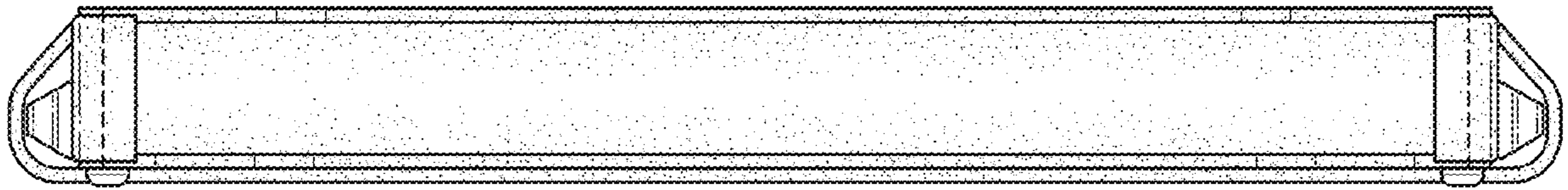


FIG. 5

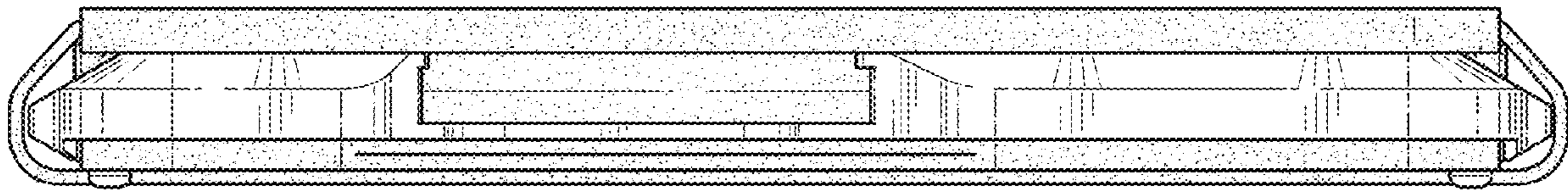


FIG. 6

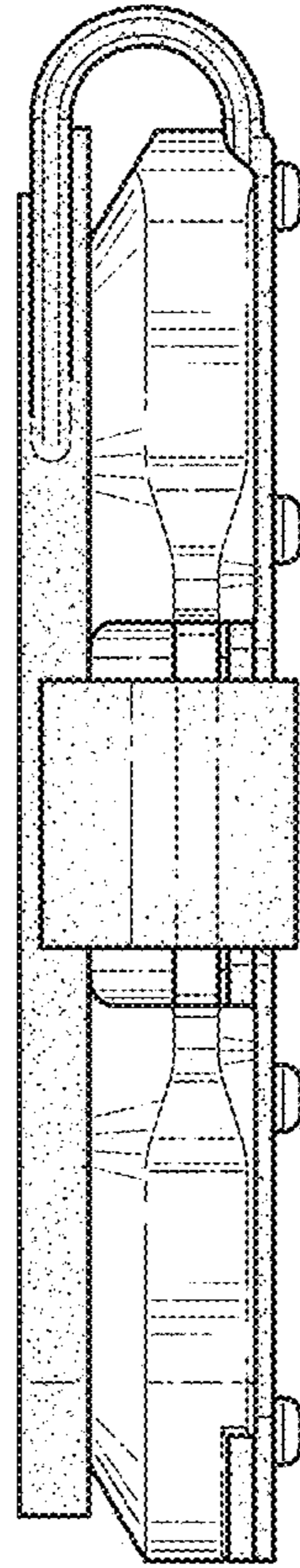


FIG. 7

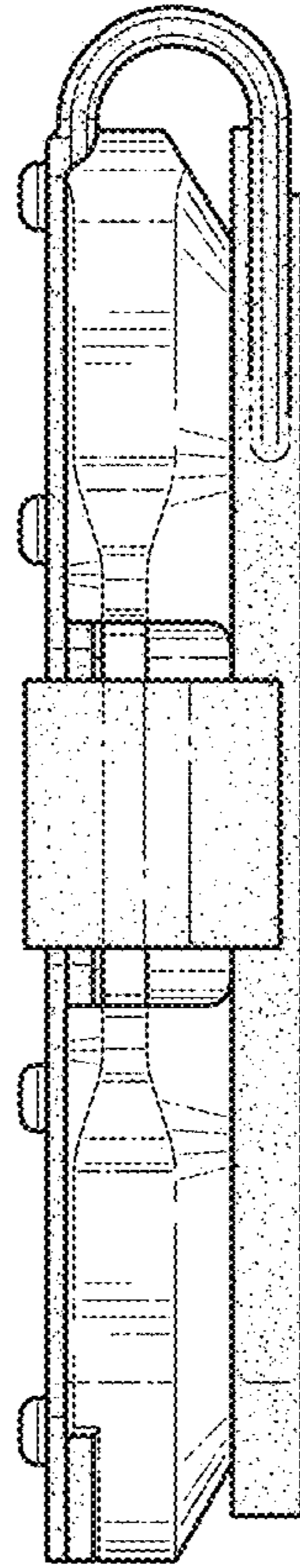


FIG. 8