



US00D979237S

(12) **United States Design Patent** (10) **Patent No.:** **US D979,237 S**  
**Hynek** (45) **Date of Patent:** **\*\* Feb. 28, 2023**

- (54) **BAG**
- (71) Applicant: **Nenaandco.com, LLC**, American Fork, UT (US)
- (72) Inventor: **Consuelo Alejandra Hynek**, Highland, UT (US)
- (73) Assignee: **Nenaandco.com, LLC**, American Fork, UT (US)
- (\*\*) Term: **15 Years**
- (21) Appl. No.: **29/750,655**
- (22) Filed: **Sep. 15, 2020**
- (51) **LOC (14) Cl.** ..... **03-01**
- (52) **U.S. Cl.**  
USPC ..... **D3/246**
- (58) **Field of Classification Search**  
USPC ..... D3/232–233, 245–246, 318  
CPC ..... A45C 13/103; A45C 3/001; A45C 13/008;  
A45C 11/20; A45C 3/00  
See application file for complete search history.

(56) **References Cited**

**U.S. PATENT DOCUMENTS**

|              |         |          |       |        |
|--------------|---------|----------|-------|--------|
| D282,602 S * | 2/1986  | Allen    | ..... | D3/902 |
| D603,606 S * | 11/2009 | Wang     | ..... | D3/232 |
| D665,176 S * | 8/2012  | Platt    | ..... | D3/318 |
| D714,546 S * | 10/2014 | Joo      | ..... | D3/245 |
| D756,634 S * | 5/2016  | Bonstrom | ..... | D3/243 |
| D770,767 S * | 11/2016 | Hannon   | ..... | D3/245 |
| D773,180 S * | 12/2016 | Yuson    | ..... | D3/245 |
| D782,823 S * | 4/2017  | Salvador | ..... | D3/318 |
| D784,010 S * | 4/2017  | Dumas    | ..... | D3/232 |
| D789,080 S * | 6/2017  | Caffagni | ..... | D3/232 |
| D819,967 S * | 6/2018  | Carter   | ..... | D3/246 |
| D824,666 S * | 8/2018  | Carter   | ..... | D3/245 |
| D831,348 S * | 10/2018 | Wells    | ..... | D3/245 |

|                   |         |            |       |                        |
|-------------------|---------|------------|-------|------------------------|
| D873,022 S *      | 1/2020  | Seip       | ..... | D3/318                 |
| D874,815 S *      | 2/2020  | Wells      | ..... | D3/203.1               |
| D895,275 S *      | 9/2020  | Zhang      | ..... | D3/245                 |
| D913,695 S *      | 3/2021  | Huddleston | ..... | D3/318                 |
| D917,164 S *      | 4/2021  | Zhang      | ..... | D3/245                 |
| D942,146 S *      | 2/2022  | Wang       | ..... | D3/246                 |
| D965,292 S *      | 10/2022 | Zhang      | ..... | D3/246                 |
| 2016/0183649 A1 * | 6/2016  | Gamble     | ..... | A45C 13/103<br>150/113 |
| 2020/0305566 A1 * | 10/2020 | Taha       | ..... | F41H 1/02              |

**OTHER PUBLICATIONS**

“The Perfect Bag”, first available Sep. 16, 2019, nenanadco.com, site visited Feb. 4, 2022: <https://www.nenaandco.com/blogs/news/the-perfect-bag> (Year: 2019).\*

\* cited by examiner

*Primary Examiner* — Jennifer L Watkins

*Assistant Examiner* — Samantha Lynne Brodowski

(74) *Attorney, Agent, or Firm* — Kirton McConkie; Brian Tucker

(57) **CLAIM**

The ornamental design for a bag, as shown and described.

**DESCRIPTION**

FIG. 1 is a front perspective view of a bag showing the claimed design;  
FIG. 2 is a front elevation view thereof;  
FIG. 3 is a rear elevation view thereof;  
FIG. 4 is a left elevation view thereof;  
FIG. 5 is a right elevation view thereof;  
FIG. 6 is a top plan view thereof; and,  
FIG. 7 is a bottom plan view thereof.  
The broken lines in the figures depict stitching and form no part of the claimed design.

**1 Claim, 5 Drawing Sheets**





FIG. 1

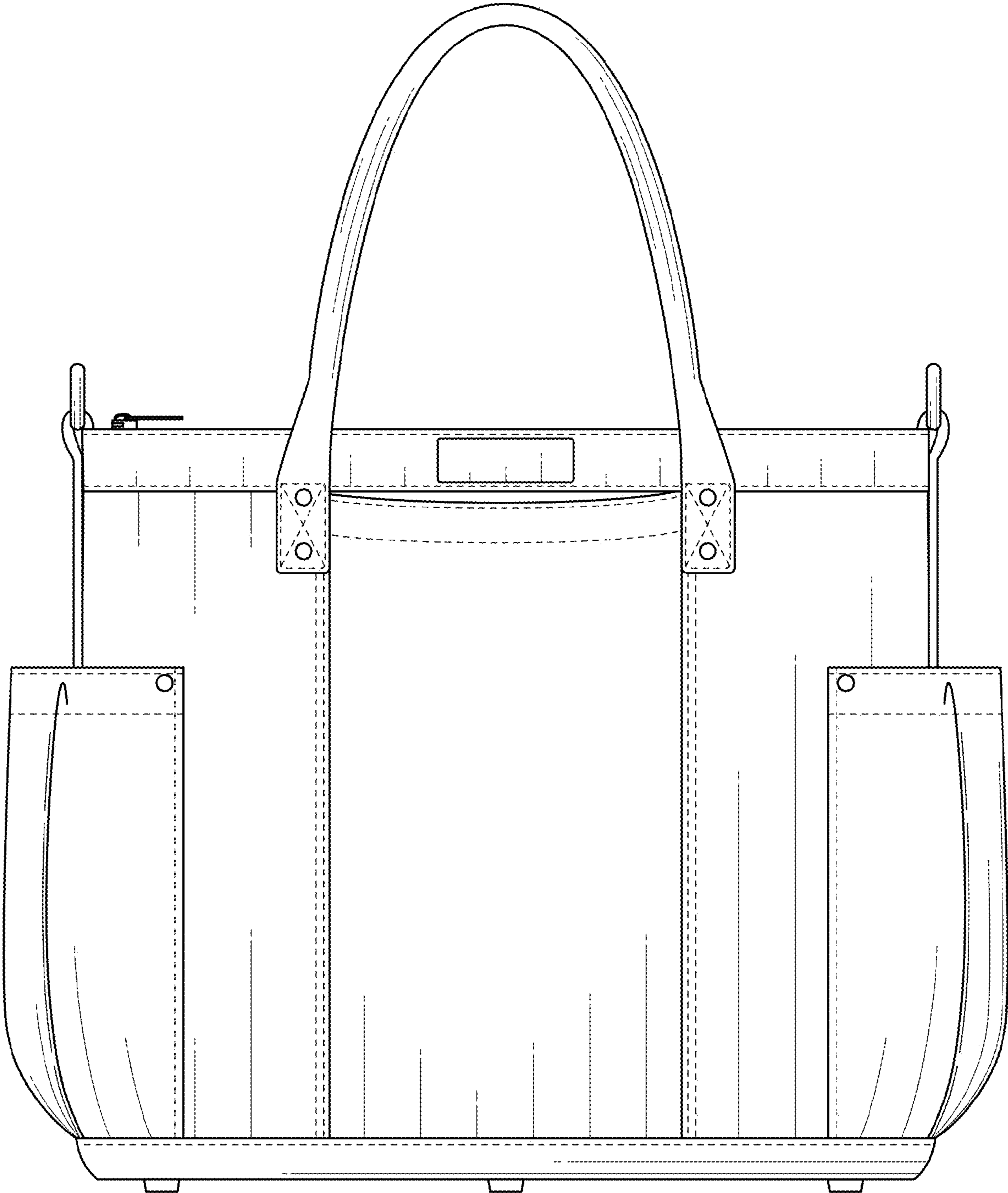


FIG. 2

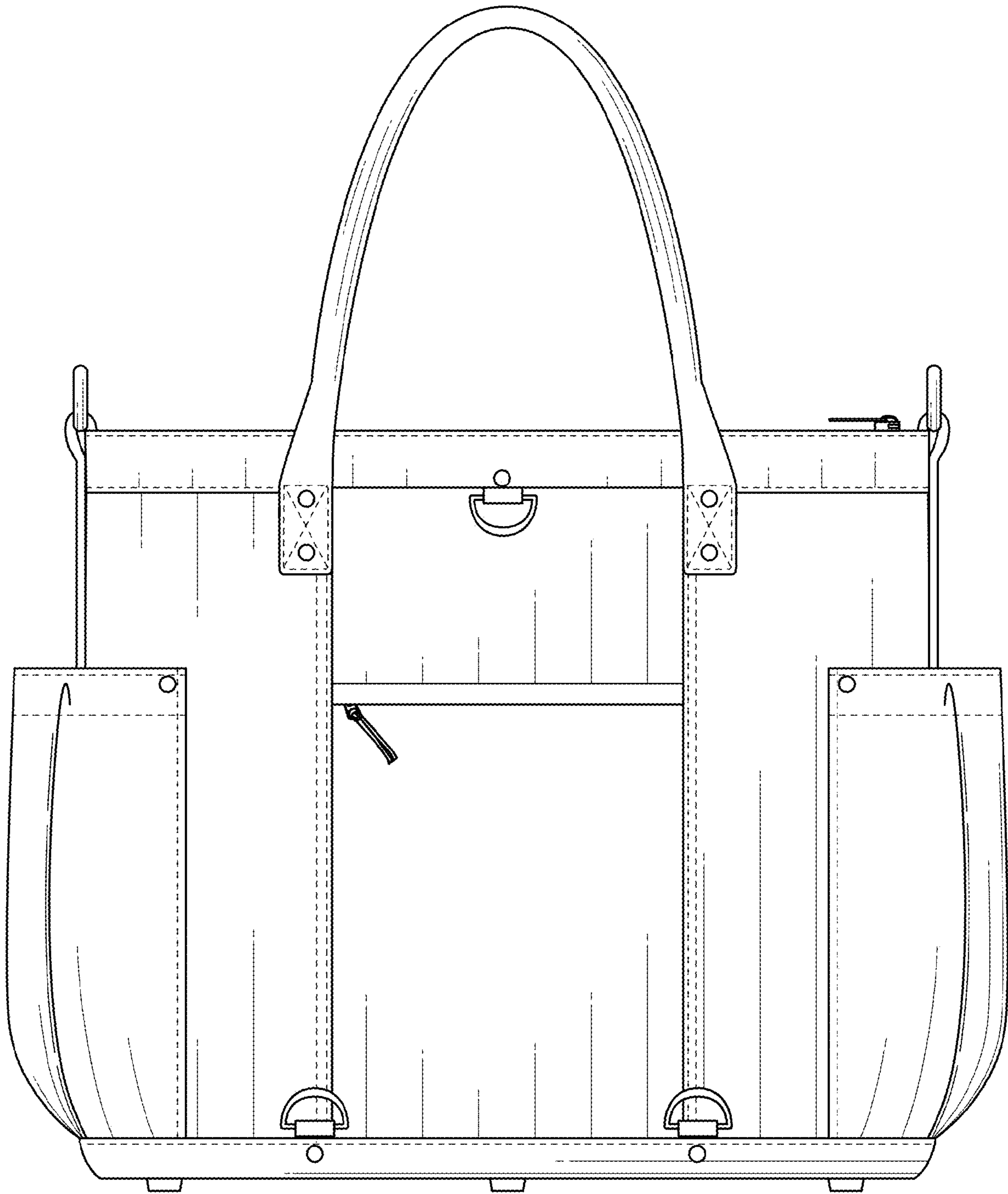


FIG. 3



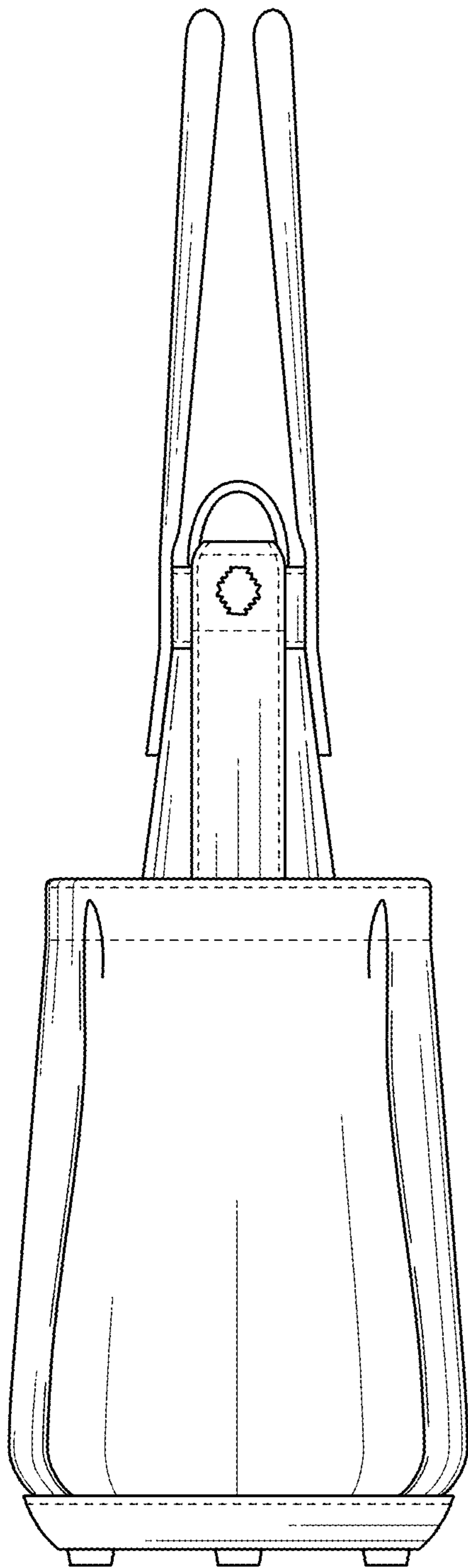


FIG. 4

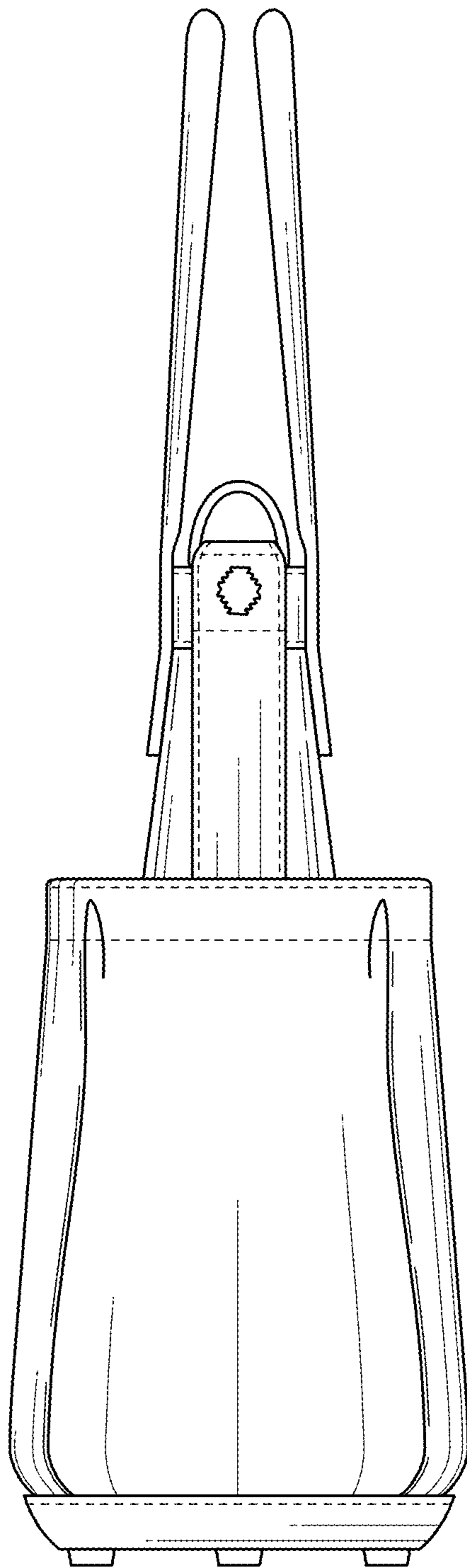


FIG. 5

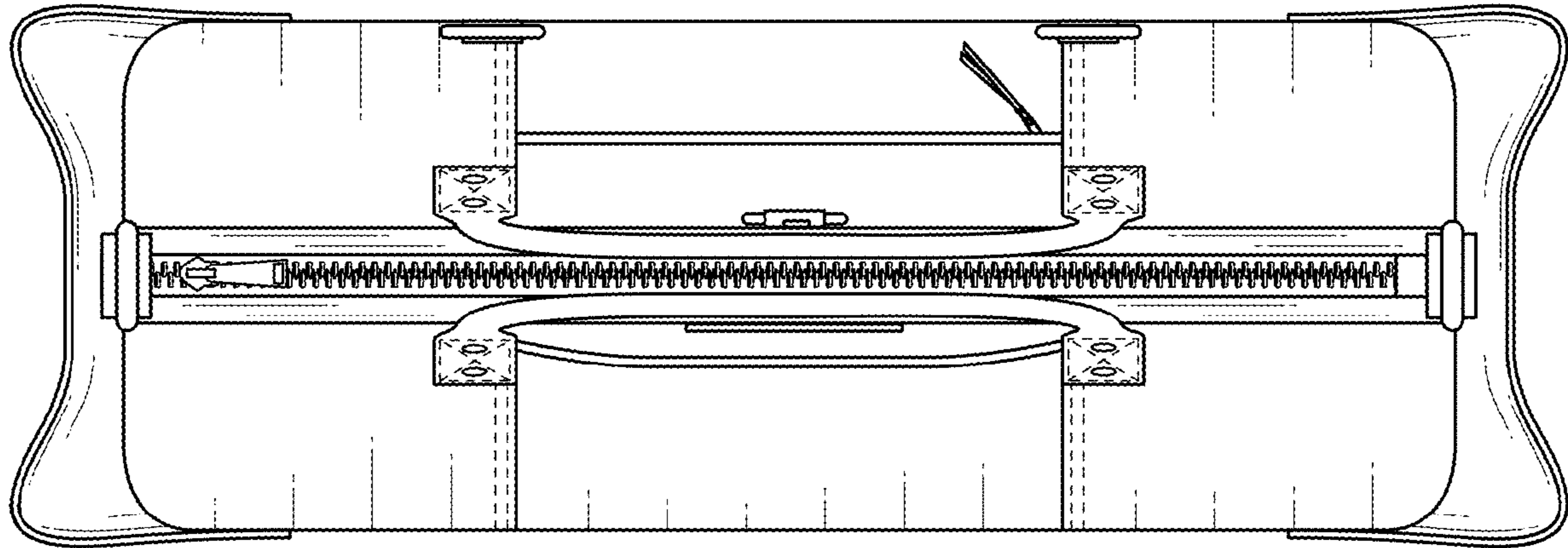


FIG. 6

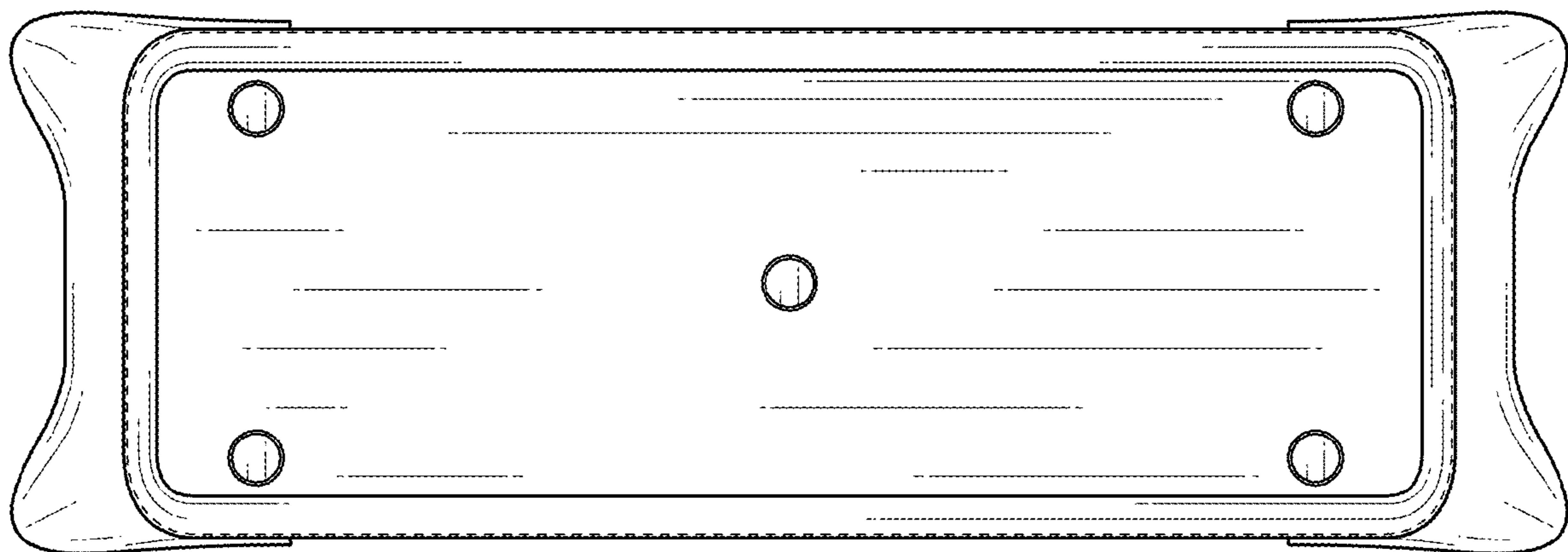


FIG. 7