



US00D979226S

(12) **United States Design Patent**
Hynek

(10) **Patent No.:** **US D979,226 S**
(45) **Date of Patent:** **** Feb. 28, 2023**

- (54) **BAG**
- (71) Applicant: **Nenaandco.com, LLC**, American Fork, UT (US)
- (72) Inventor: **Consuelo Alejandra Hynek**, Highland, UT (US)
- (73) Assignee: **Nenaandco.com, LLC**, American Fork, UT (US)

D684,360 S * 6/2013 Hubbell D3/233
 D714,546 S * 10/2014 Joo D3/245
 D746,053 S * 12/2015 Sassi D3/232

(Continued)

FOREIGN PATENT DOCUMENTS

CN 306865667 * 10/2021
 CN 306936383 * 11/2021
 CN 307098081 * 2/2022
 WO WOD097744-001 * 10/2017

- (**) Term: **15 Years**
- (21) Appl. No.: **29/750,656**
- (22) Filed: **Sep. 15, 2020**
- (51) **LOC (14) Cl.** **03-01**
- (52) **U.S. Cl.**
USPC **D3/217**
- (58) **Field of Classification Search**
USPC D3/214–226, 230–233, 242–244, 254
CPC A45F 3/00; A45F 3/005; A45F 3/02; A45F 3/04; A45F 3/042; A45F 3/047; A45F 3/06; A45F 3/08; A45F 3/10; A45F 2003/001; A45F 2003/002; A45F 2003/003; A45F 2003/006; A45F 2003/007; A45F 2003/008; A45F 2003/025; A45F 2003/045; A45F 2200/00; A45F 2200/05; A45F 2200/0525; A45F 2200/0533

See application file for complete search history.

(56) **References Cited**

U.S. PATENT DOCUMENTS

D292,745 S * 11/1987 Allen D3/278
 D413,724 S * 9/1999 Freedman D3/246
 D444,627 S * 7/2001 Starck D3/276
 D526,120 S * 8/2006 Lee D3/233
 D531,404 S * 11/2006 Marttila D3/246
 D617,561 S * 6/2010 Salerno-Tortora D3/327
 7,942,296 B1 * 5/2011 Johnson A45C 7/0086
 224/652
 D671,740 S * 12/2012 Guichot D3/243

OTHER PUBLICATIONS

Nena & Co. Post, available at facebook.com, Posted Apr. 27, 2018 [online], site visited Apr. 14, 2022, available from the internet URL: <https://www.facebook.com/nenaandco/photos/10367818839802097/> (Year: 2018).*

(Continued)

Primary Examiner — Tracey J Bell
Assistant Examiner — Jillian Mazzola

(74) *Attorney, Agent, or Firm* — Kirton McConkie; Brian Tucker

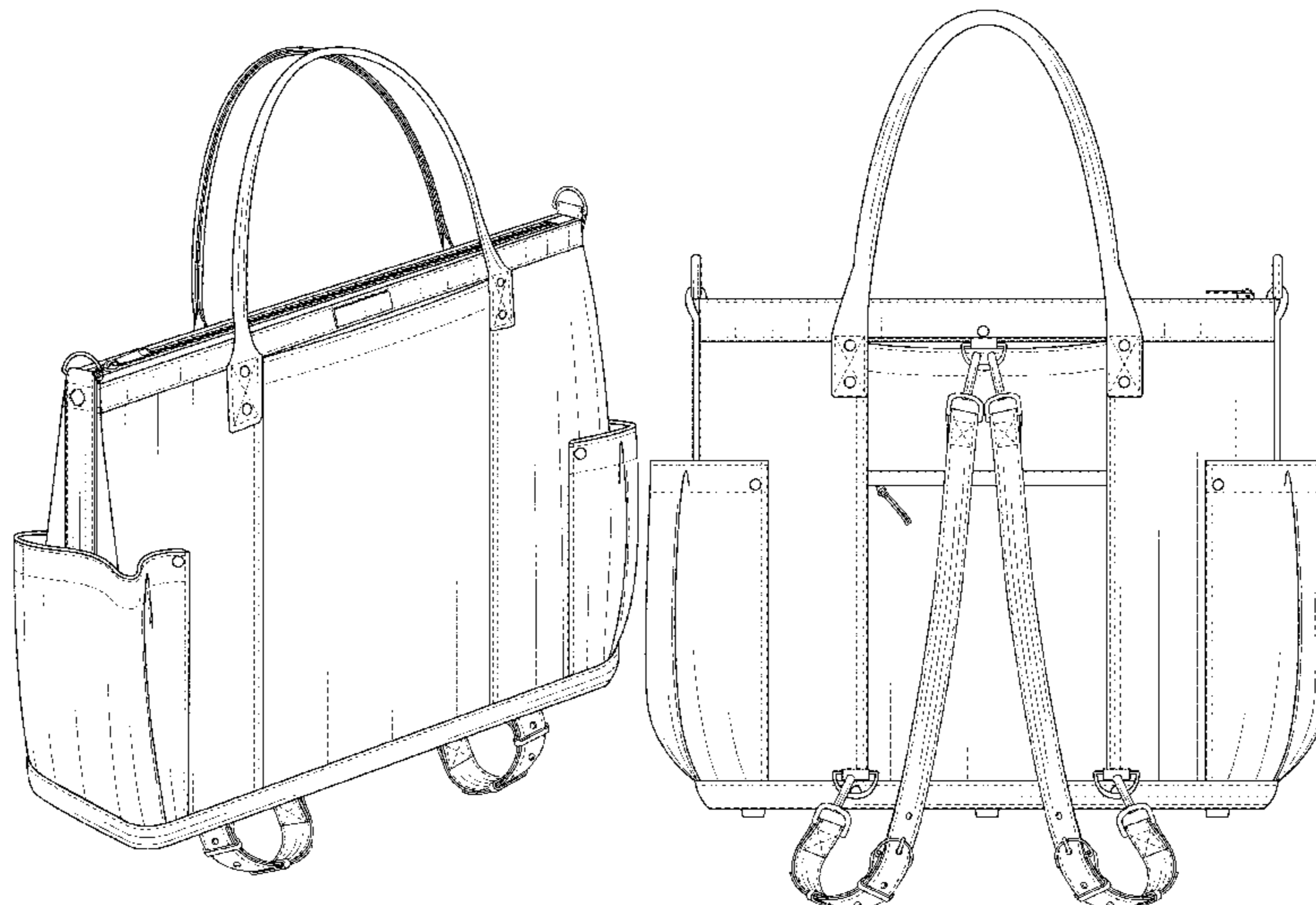
(57) **CLAIM**

The ornamental design for a bag, as shown and described.

DESCRIPTION

FIG. 1 is a front perspective view of a bag showing the claimed design;
 FIG. 2 is a front elevation view thereof;
 FIG. 3 is a rear elevation view thereof;
 FIG. 4 is a left elevation view thereof;
 FIG. 5 is a right elevation view thereof;
 FIG. 6 is a top plan view thereof; and,
 FIG. 7 is a bottom plan view thereof.
 The broken lines in the figures depict stitching that forms no part of the claimed design.

1 Claim, 5 Drawing Sheets



(56)

References Cited

U.S. PATENT DOCUMENTS

D767,887 S * 10/2016 Kim D3/245
D802,297 S * 11/2017 Dumas D3/232
D821,825 S * 7/2018 Sullivan D3/289
D831,348 S * 10/2018 Wells D3/245
D873,022 S * 1/2020 Seip D3/318
D895,275 S * 9/2020 Zhang D3/245
D924,561 S * 7/2021 Gilbert D3/217
2005/0173034 A1 * 8/2005 Antrobus A45C 9/00
150/113

OTHER PUBLICATIONS

Nena & Co. Post, available at facebook.com, posted Apr. 30, 2020 [online], site visited Apr. 14, 2022, available from the internet URL: <https://www.facebook.com/naandco/photos/1644518512361762/> (Year: 2020).*

The Catalina Deluxe Tote, available at loandsons.com, earliest customer review date Oct. 6, 2017 [online], site visited Apr. 14, 2022, available from the internet URL: <https://www.loandsons.com/products/catalina-deluxe-tote-organic-canvas-natural?> (Year: 2017).*

Kids' Tote Backpack—art class, available at target.com, earliest customer review date Jul. 2021 [online], site visited Apr. 14, 2022, available from the internet URL: <https://www.target.com/p/kids-tote-backpack-art-class/-/A-83920497?preselect=82147551#lnk=sametab> (Year: 2021).*

Packable Backpack Tote, available at baggallini.com, earliest customer review date Apr. 2019 [online], site visited Apr. 14, 2022, available from the internet URL: https://www.baggallini.com/packable-backpack-tote/PBT495-BG-B0001-NS.html?sscid=41k6_emkx (Year: 2019).*

* cited by examiner



FIG. 1



FIG. 2

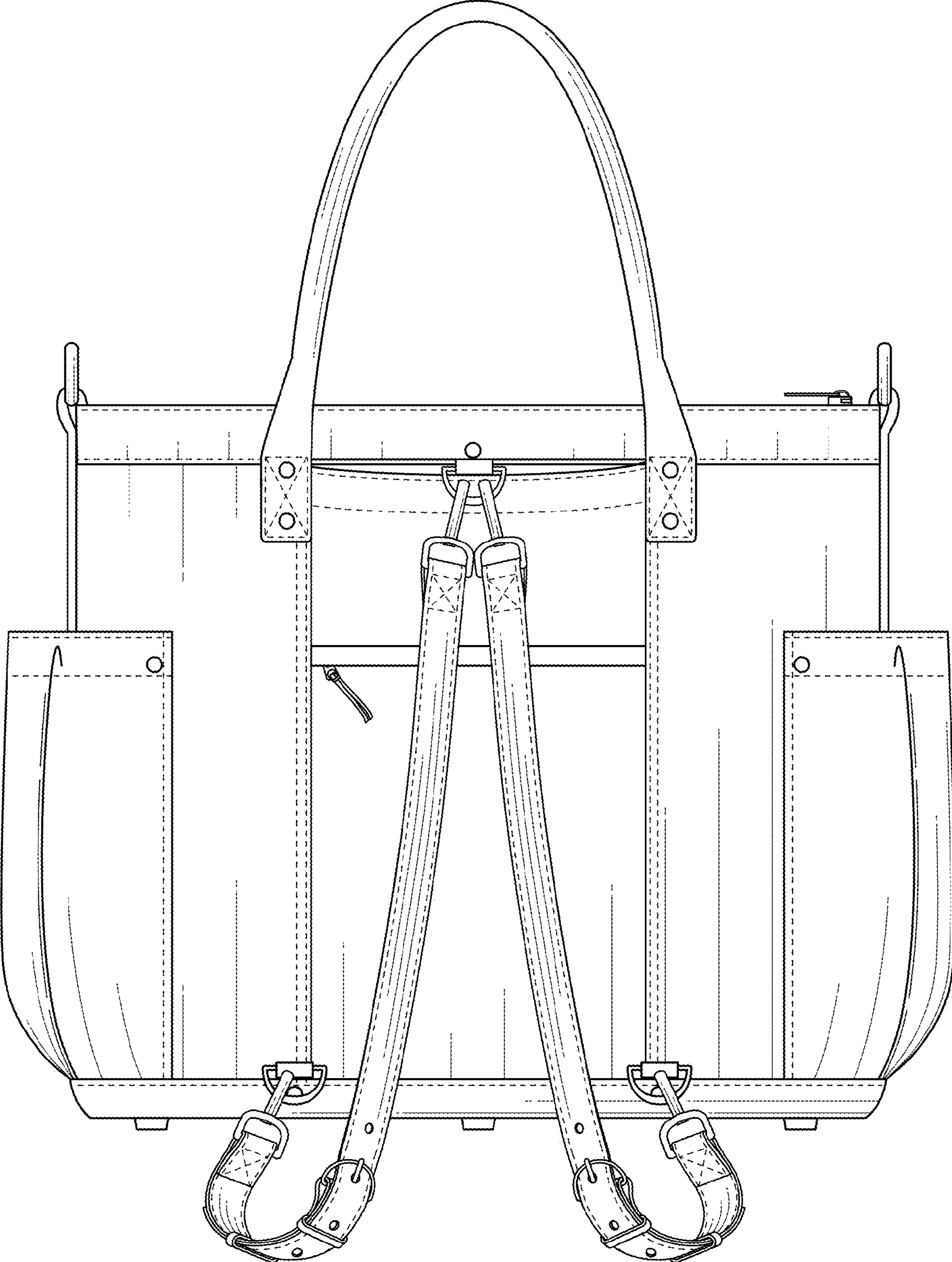


FIG. 3

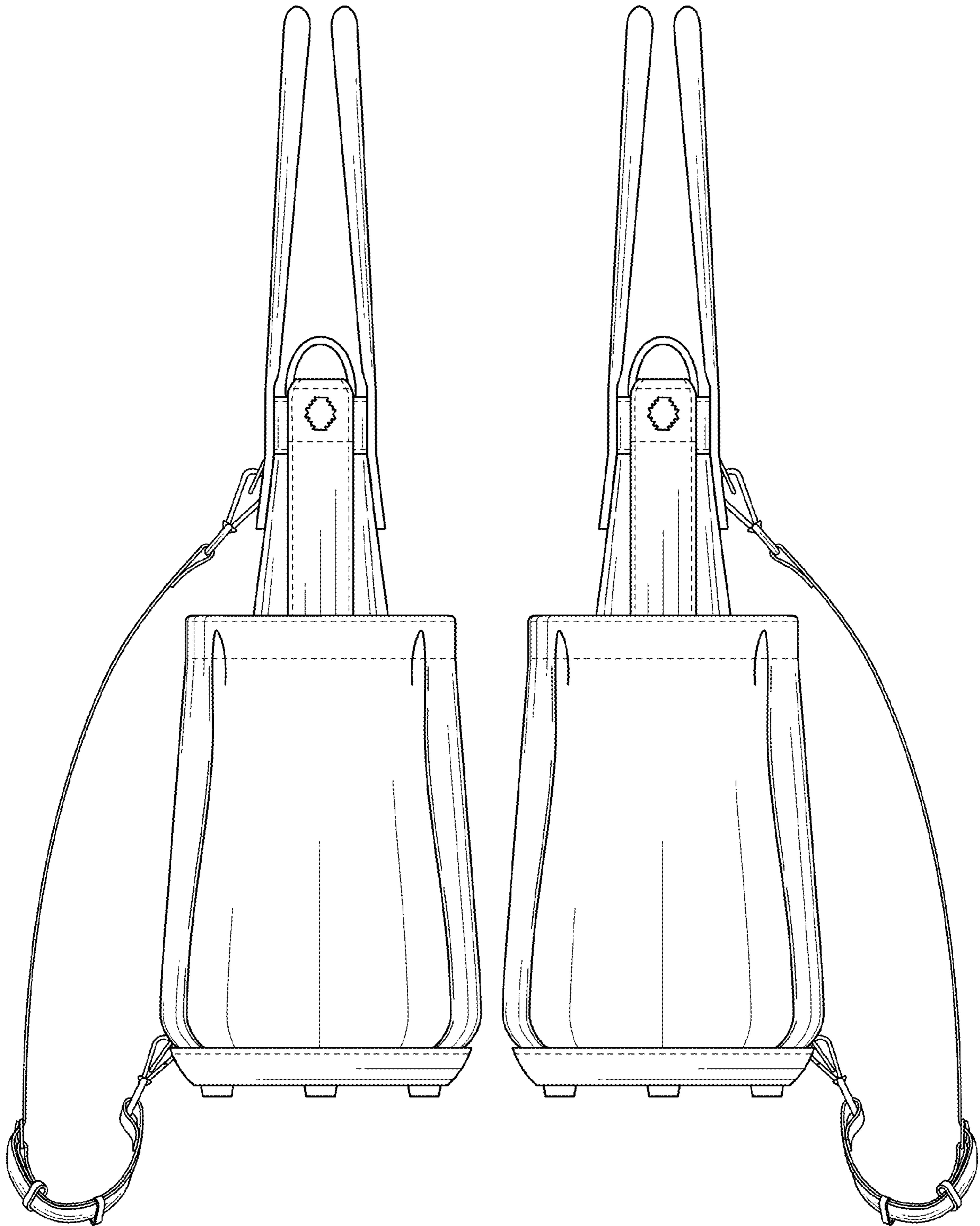


FIG. 4

FIG. 5

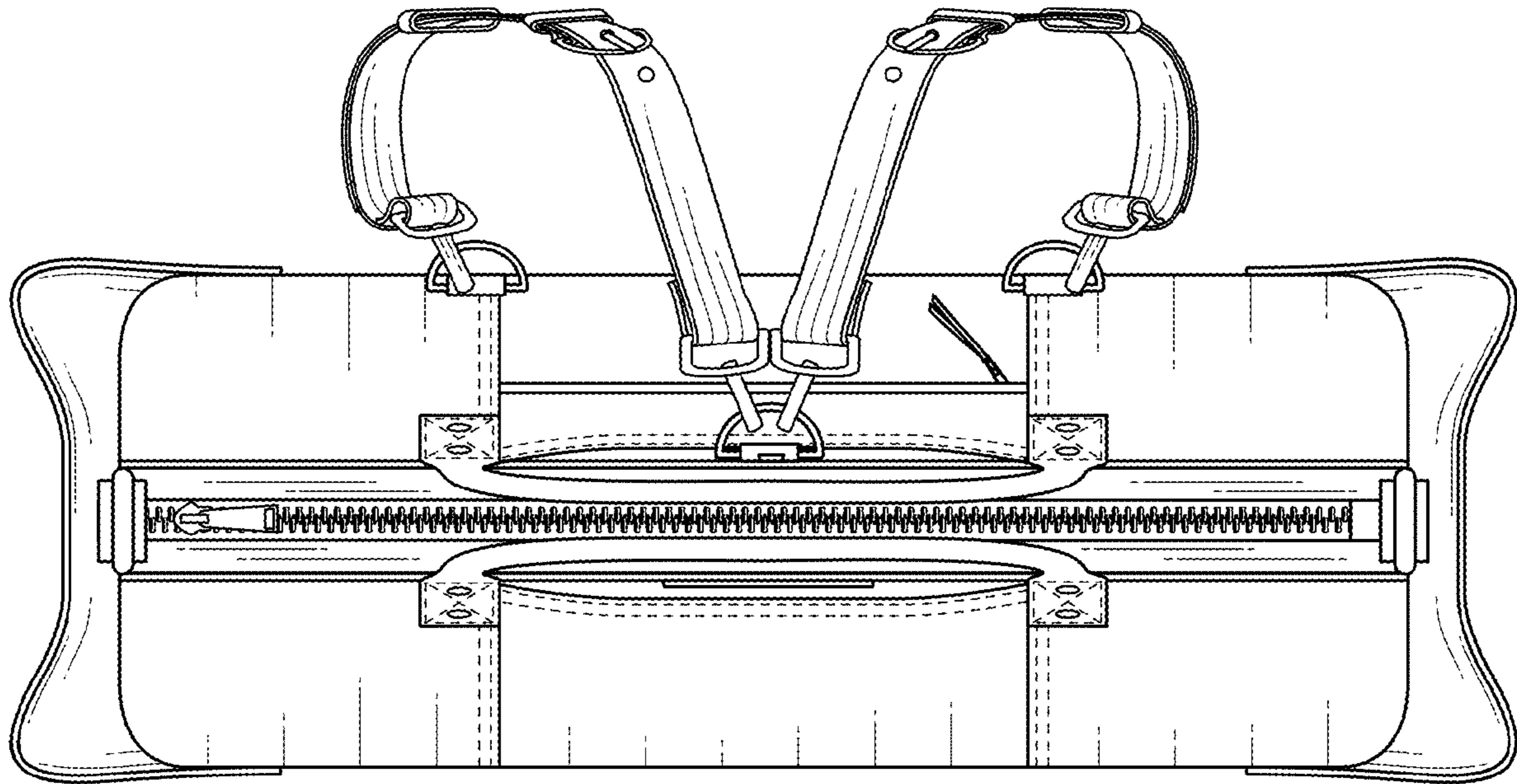


FIG. 6

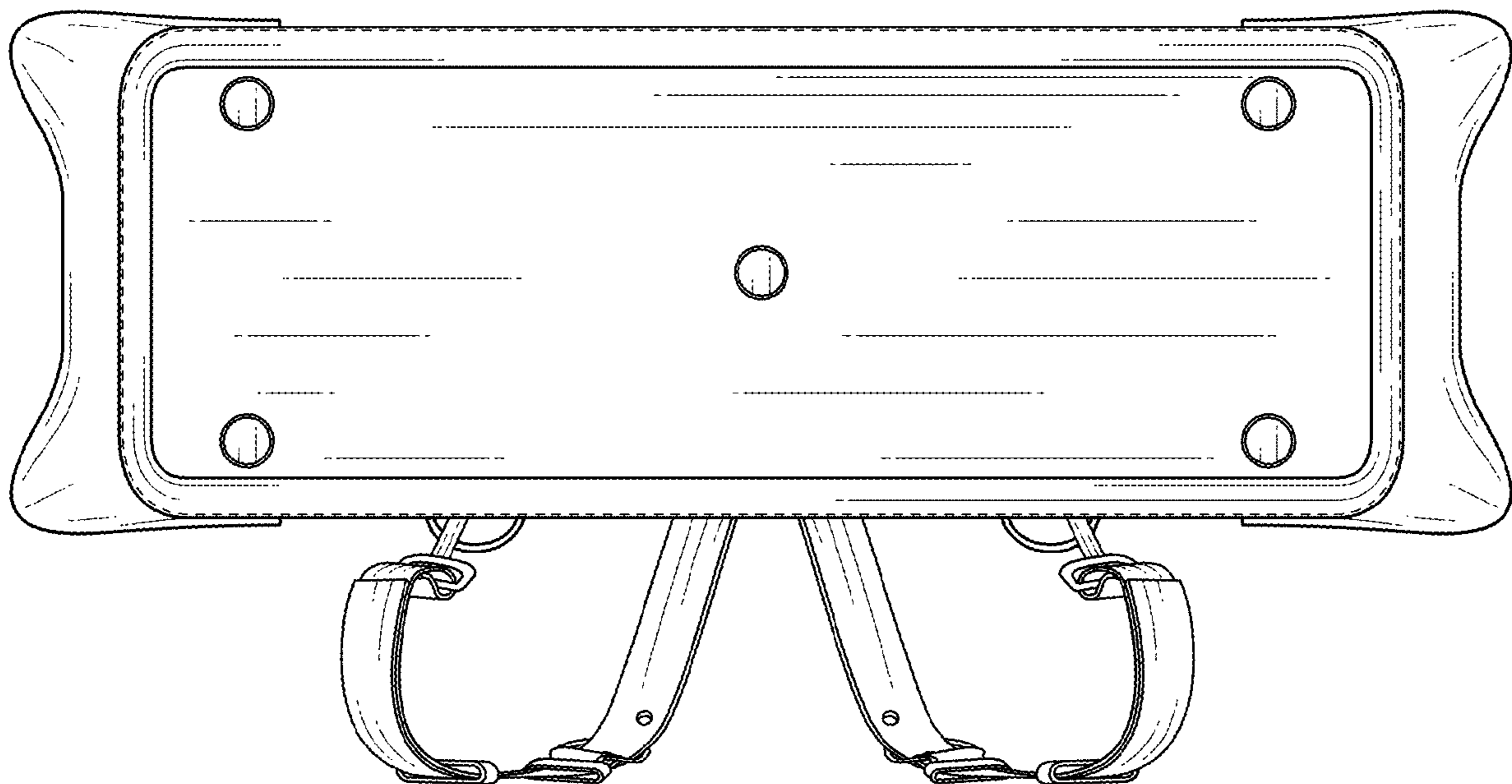


FIG. 7