



US00D979223S

(12) **United States Design Patent** (10) **Patent No.:** **US D979,223 S**
Reso (45) **Date of Patent:** **** Feb. 28, 2023**

(54) **PORTABLE ARTICLE CARRIER**

(71) Applicant: **Indrit Reso**, Williamsburg, VA (US)

(72) Inventor: **Indrit Reso**, Williamsburg, VA (US)

(**) Term: **15 Years**

(21) Appl. No.: **29/771,422**

(22) Filed: **Feb. 23, 2021**

(51) **LOC (14) Cl.** **03-01**

(52) **U.S. Cl.**
USPC **D3/203.1**

(58) **Field of Classification Search**
USPC D3/201, 203.1, 203.2, 203.3, 203.4,
D3/203.5, 203.6, 203.7, 203.8, 204-212,
(Continued)

(56) **References Cited**

U.S. PATENT DOCUMENTS

D289,207 S 4/1987 Drews
D333,754 S 3/1993 Conti
(Continued)

FOREIGN PATENT DOCUMENTS

JP D1693809 * 8/2021
KR 301133844.0000 * 10/2021
(Continued)

OTHER PUBLICATIONS

Respirator Case, available at garrettwade.com, earliest customer review date Mar. 2, 2022 [online], site visited Aug. 2, 2022, available from the internet URL: <https://garrettwade.com/product/respirator-case> (Year: 2022).*

(Continued)

Primary Examiner — Messina L Smith
Assistant Examiner — Jillian Mazzola

(74) *Attorney, Agent, or Firm* — Ballard Spahr LLP

(57) **CLAIM**

The ornamental design for a portable article carrier, as shown and described.

DESCRIPTION

FIG. 1 is a front perspective view of a portable article carrier showing my new design;

FIG. 2 is a front elevational view of the portable article carrier of FIG. 1;

FIG. 3 is a rear elevational view of the portable article carrier of FIG. 1;

FIG. 4 is a left side elevational view of the portable article carrier of FIG. 1;

FIG. 5 is a right side elevational view of the portable article carrier of FIG. 1;

FIG. 6 is a top plan view of the portable article carrier of FIG. 1;

FIG. 7 is a bottom plan view of the portable article carrier of FIG. 1;

FIG. 8 is a front, right-side perspective view of the portable article carrier of FIG. 1, showing the carrier in an alternate configuration in an open position;

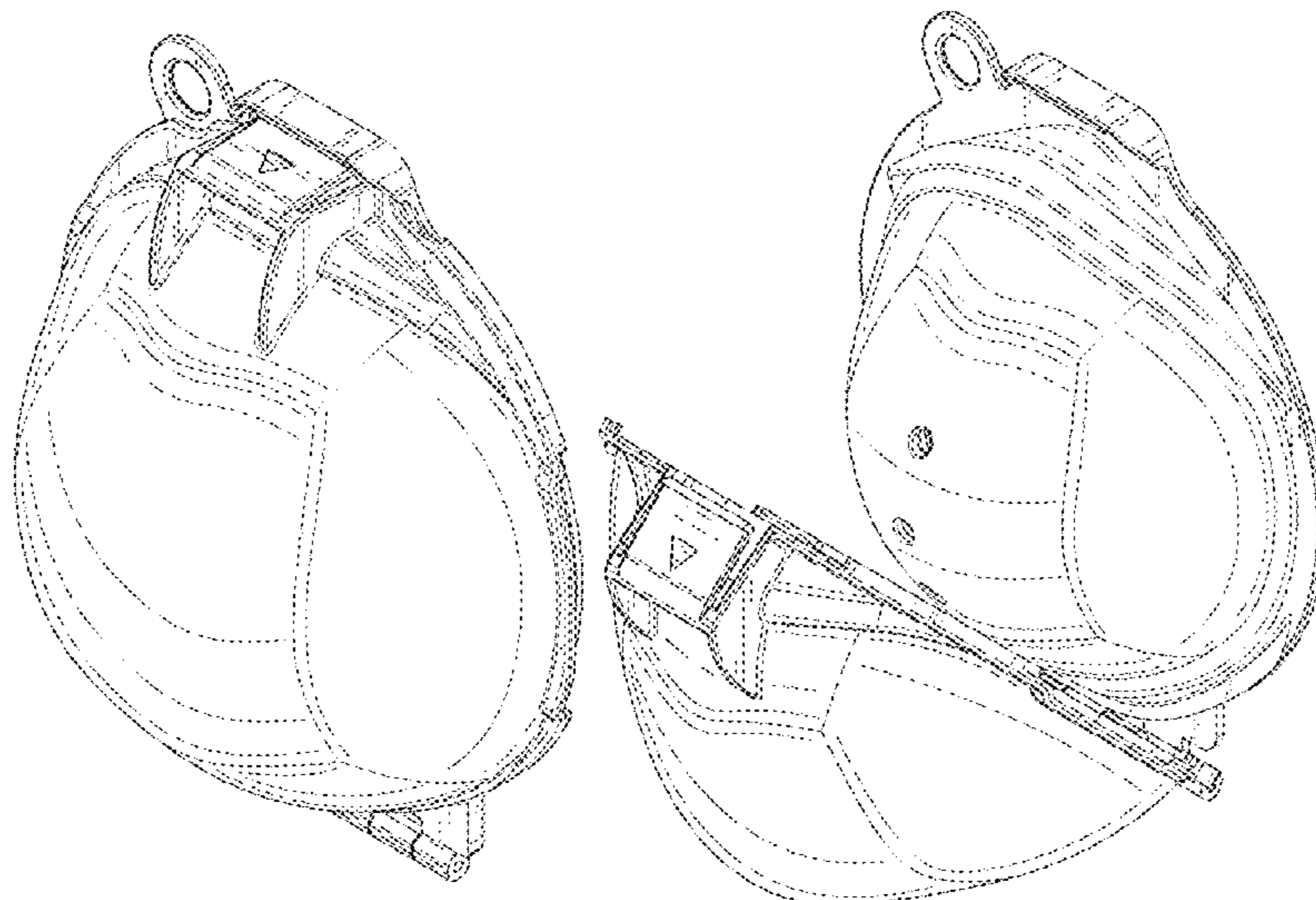
FIG. 9 is a front, left-side perspective view of the portable article carrier of FIG. 1, showing the carrier in an alternate configuration in an alternate configuration in an open position;

FIG. 10 is a rear, left-side perspective view of the portable article carrier of FIG. 1, showing the carrier in an alternate configuration in an open position; and,

FIG. 11 is a rear, right-side perspective view of the portable article carrier of FIG. 1, showing the carrier in an alternate configuration in an open position.

The lines on the inner and outer surfaces of the dispensing apparatus represent contour line shading. In contrast to the solid lines that define the claimed design, the contour lines do not contact other lines and are provided with a reduced thickness. These contour lines are provided merely to highlight the contour of the design and are not intended to be illustrative of texture or surface ornamentation.

1 Claim, 11 Drawing Sheets



(58) **Field of Classification Search**

USPC D3/254–258, 263, 264, 273, 294, 298,
 D3/299; D7/601, 602, 609, 619.1,
 D7/631–633, 635, 637, 638; D9/414,
 D9/420–423, 434, 435, 499, 700, 701;
 D13/108; D14/203.4, 203.5, 203.6,
 D14/509–511, 205, 223, 440;
 D24/224–227
 CPC A45D 29/20; A45D 44/18; A45F 3/48;
 A45C 11/00; A45C 11/005; A45C 11/008;
 A45C 11/04; A45C 11/043; A45C 11/046;
 A45C 11/08; A45C 11/14; A45C 11/182;
 A45C 11/24; A45C 11/26; A45C 11/32;
 A45C 11/321; A45C 11/34; A45C 11/36;
 A45C 2011/001; A45C 2011/002; A45C
 2011/003; A45C 2011/006; A45C
 2011/007; A45C 2011/188; A45C
 2011/322; A45C 2011/323; A45C
 2011/324; A45C 2011/325; A45C
 2011/326; A45C 2011/327; A45C
 2011/329

See application file for complete search history.

(56) **References Cited**

U.S. PATENT DOCUMENTS

D336,849 S	6/1993	Golias	
D389,061 S	1/1998	Ebrahim	
D408,591 S	4/1999	Litton	
D412,115 S	7/1999	D’Andrea	
D436,532 S	1/2001	Richardson	
D439,376 S	3/2001	Lerolle	
D458,023 S *	6/2002	Dzwill	A45C 11/005 D3/264
D489,045 S	4/2004	Wang	
D489,343 S	5/2004	Wang	
D496,154 S *	9/2004	Herman	D3/203.1
D506,926 S	7/2005	Halliday	
D527,627 S	9/2006	Liebe	
D528,908 S	9/2006	Faktorovich	
D546,670 S	7/2007	Sainz	
D547,103 S	7/2007	Huang	
D585,639 S *	2/2009	Taninbaum	D3/204
D602,245 S *	10/2009	Christie	D3/205
D678,759 S	3/2013	Gottschalk	
D679,904 S	4/2013	Allan	
D684,256 S	6/2013	Menezes	
D705,051 S	5/2014	Cassens	
D705,532 S *	5/2014	Kolton	D3/294
D734,027 S	7/2015	Noble	
D759,747 S *	6/2016	Rohner	D17/22
D773,121 S *	11/2016	Yuan	D29/108
D781,699 S	3/2017	Pan	
D795,058 S	8/2017	Buck	
D795,059 S	8/2017	Buck	

D796,317 S	9/2017	Buck	
D805,920 S *	12/2017	Clamp	D9/732
D819,452 S	6/2018	Chang	
D828,749 S	9/2018	Swegle	
D848,075 S *	5/2019	Szasz	D29/108
D848,142 S *	5/2019	Pernefeldt	D3/204
D879,601 S	3/2020	Dorr	
D883,668 S	5/2020	Sakai	
D897,606 S *	9/2020	Oliver	D29/108
D898,564 S	10/2020	Sanders	
D901,307 S *	11/2020	Ha	D9/425
D913,801 S *	3/2021	Mastronardi	D9/429
D934,067 S	10/2021	Purkey	
D945,078 S *	3/2022	Wu	D29/108
D946,832 S *	3/2022	Jiang	D29/108
D951,430 S *	5/2022	Lin	D24/110.1
D953,028 S *	5/2022	Reso	D3/269
D954,291 S *	6/2022	Kim	D24/217
2011/0132269 A1 *	6/2011	Davidson	A45F 5/02 119/161
2021/0387795 A1 *	12/2021	Miles	B65D 43/16
2021/0401157 A1 *	12/2021	Scalisi	A45C 11/00

FOREIGN PATENT DOCUMENTS

TW	213226-0001	*	8/2021
WO	WOD210687-001	*	4/2022

OTHER PUBLICATIONS

Aproca Hard Protective Travel , available at amazon.com, earliest date available Oct. 24, 2018 [online], site visited Aug. 2, 2022, available from the internet URL: <https://www.amazon.com/Aproca-Protective-Compatible-Respirator-Black-Promotion/dp/B07G71GNQK> (Year: 2018).*

LocknLock Easy Essentials Food Storage, available at amazon.com, earliest date available Feb. 9, 2012 [online], site visited Aug. 2, 2022, available from the internet URL: <https://www.amazon.com/LOCK-Airtight-Storage-Container-10-14-oz/dp/B002H02JSM/> (Year: 2012).*

Mares Shell Case—Round, available at amazon.com, earliest customer review date Sep. 2, 2018 [online], site visited Aug. 2, 2022, available from the internet URL: <https://www.divers-supply.com/mares-shell-round.html?> (Year: 2018).*

8 Face Mask Cases That Could Help Prevent Cross-Contamination. Captured Feb. 24, 2021 [online]. Available: <https://www.health.com/condition/infectious-diseases/coronavirus/best-face-mask-case>, 9 pages.

Face Mask Travel Case. Captured Feb. 24, 2021 [online]. Available: <https://gir.co/products/face-mask-travel-case?variant=32107597758553>, 9 p ages.

13 Face Mask Storage Ideas. Captured Feb. 24, 2021 [online]. Available: <https://www.glamour.com/gallery/face-mask-storage-ideas>, 24 pages.

N95 Respirator Case. Captured Feb. 24, 2021 [online]. Available: <https://3dgrint.nih.gov/discover/3dpx-013349>, 1 page.

* cited by examiner

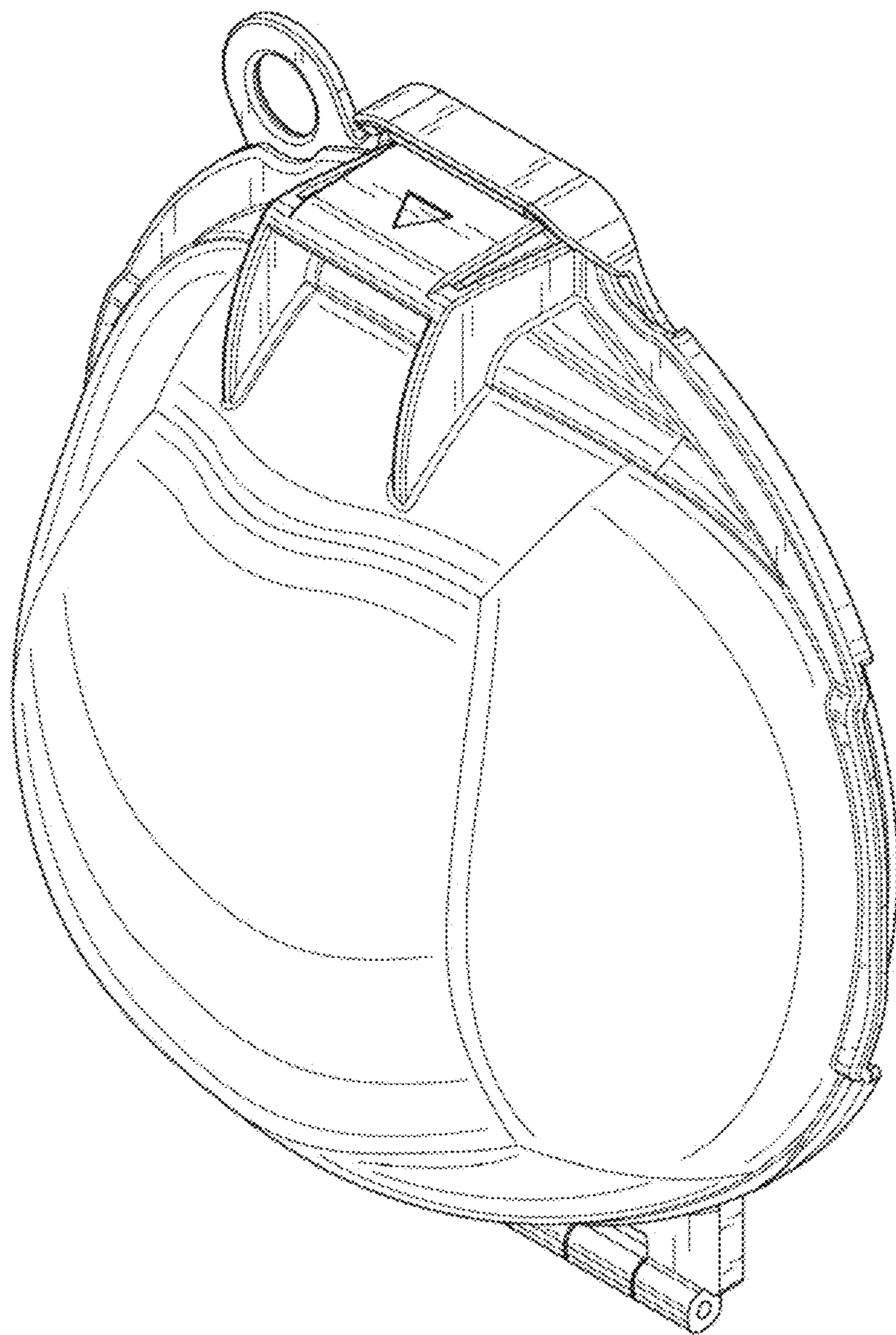


FIG. 1

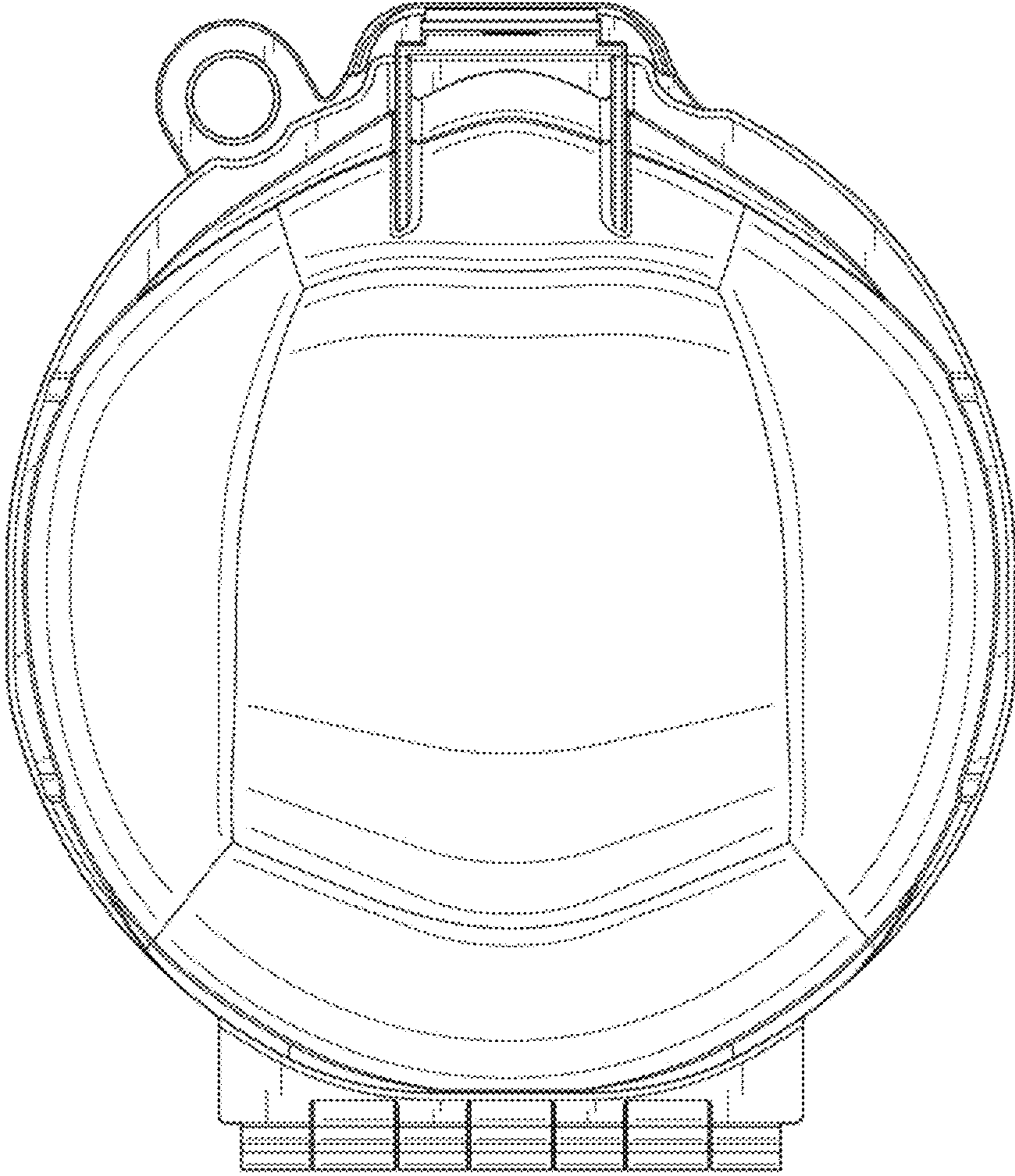


FIG. 2

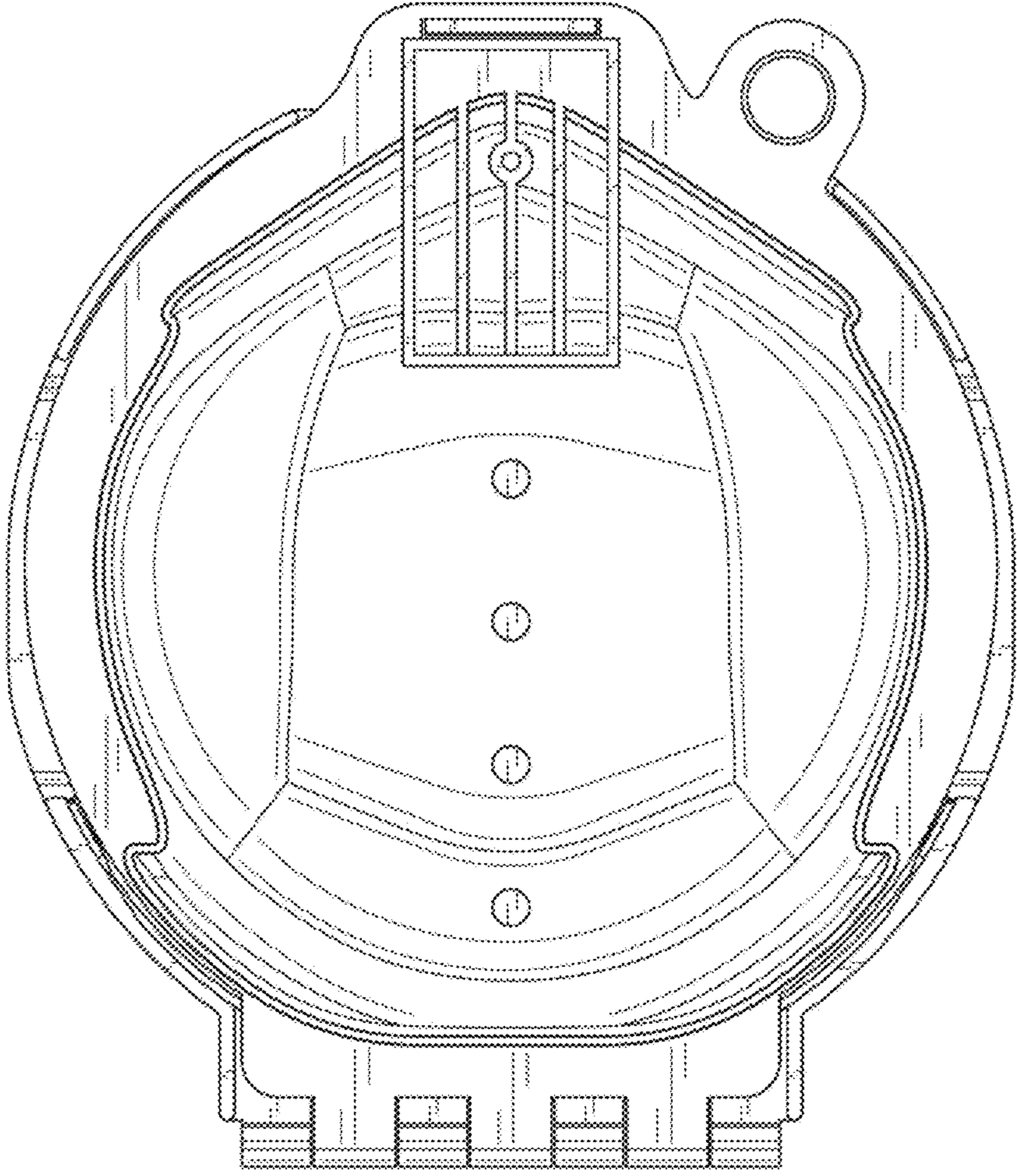


FIG. 3

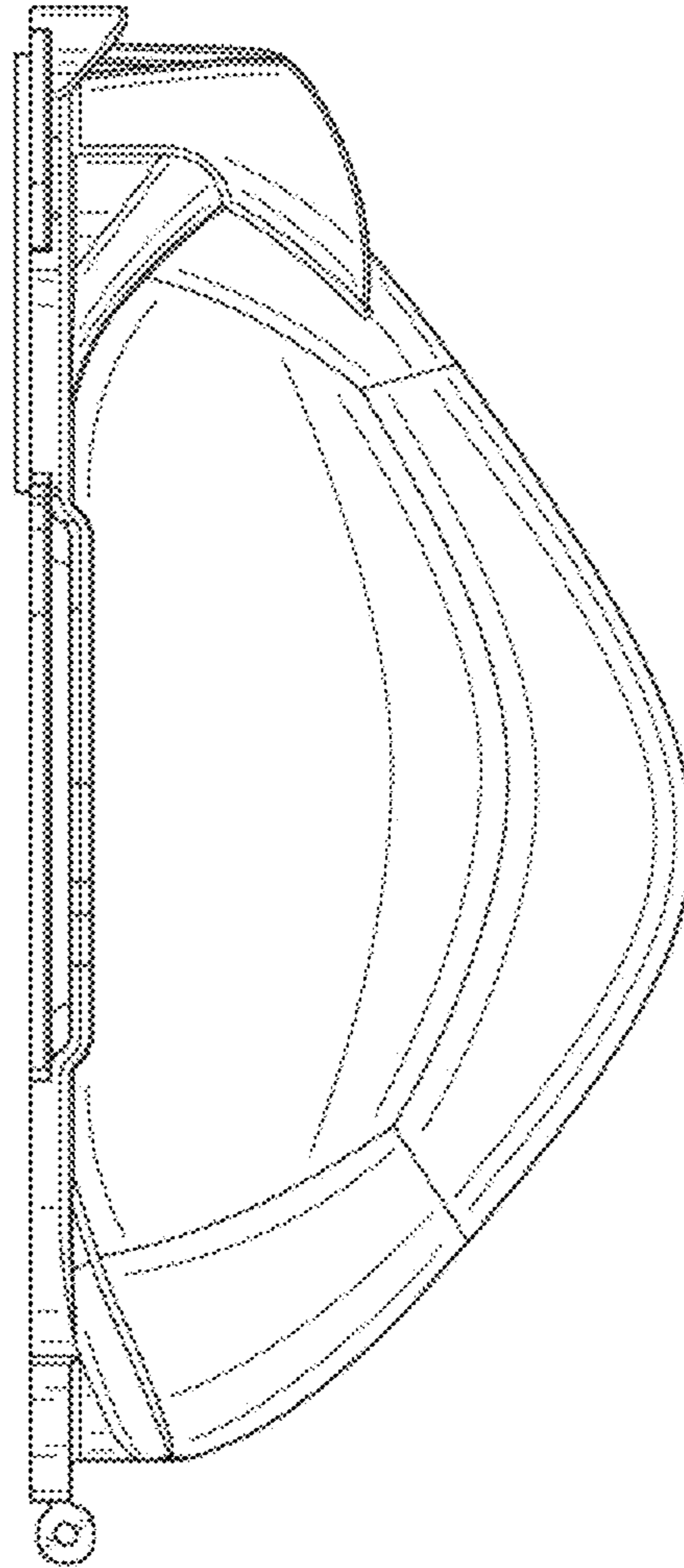


FIG. 4

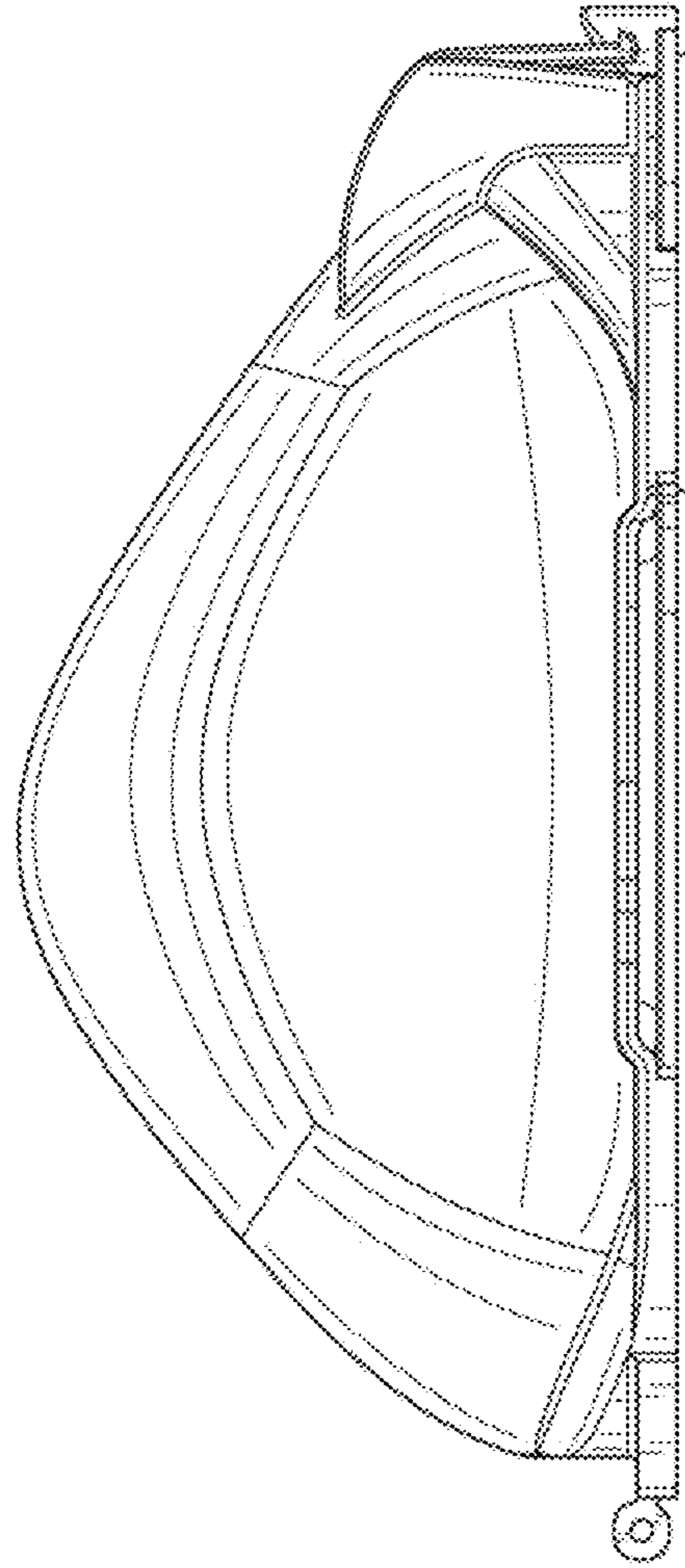


FIG. 5

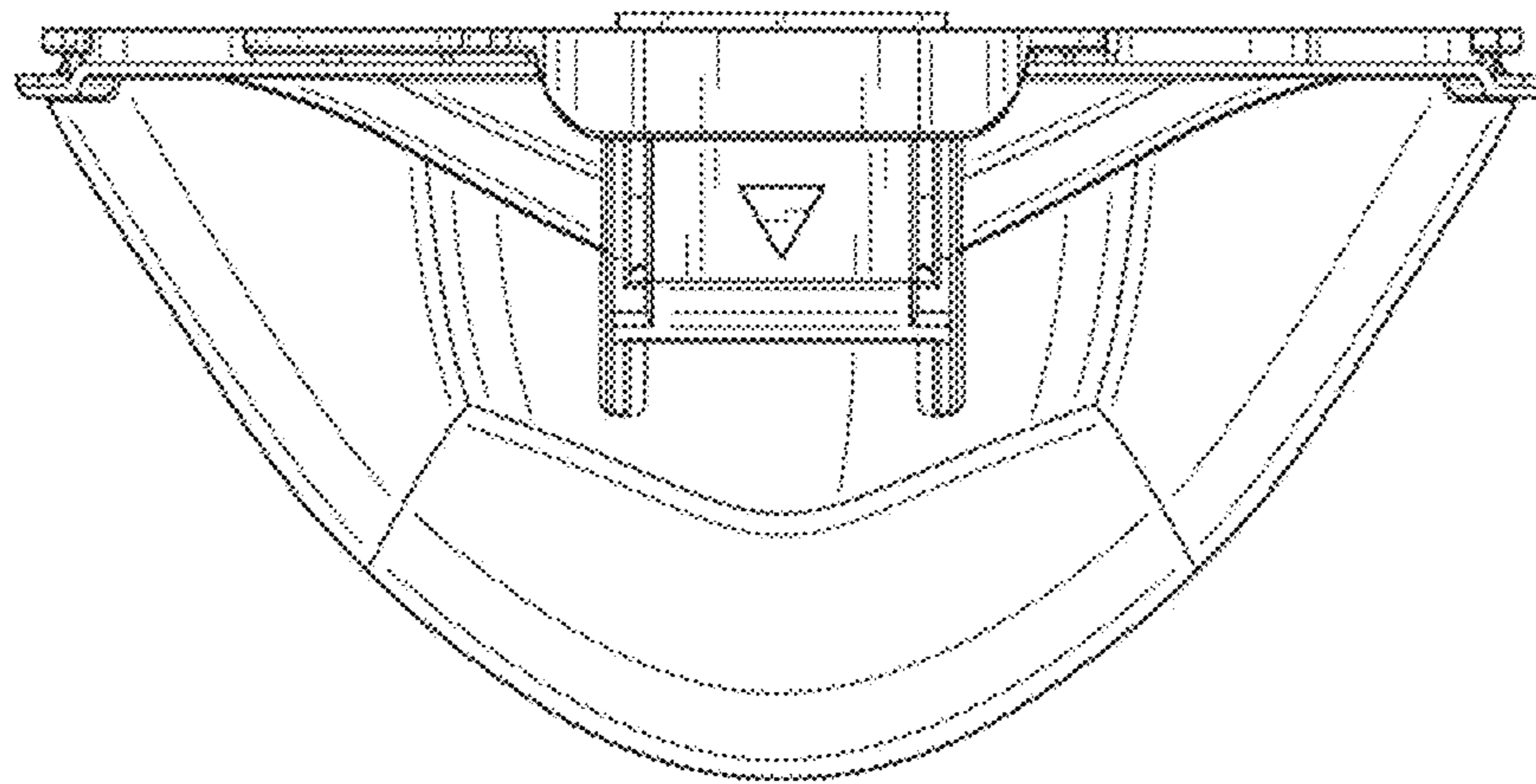


FIG. 6

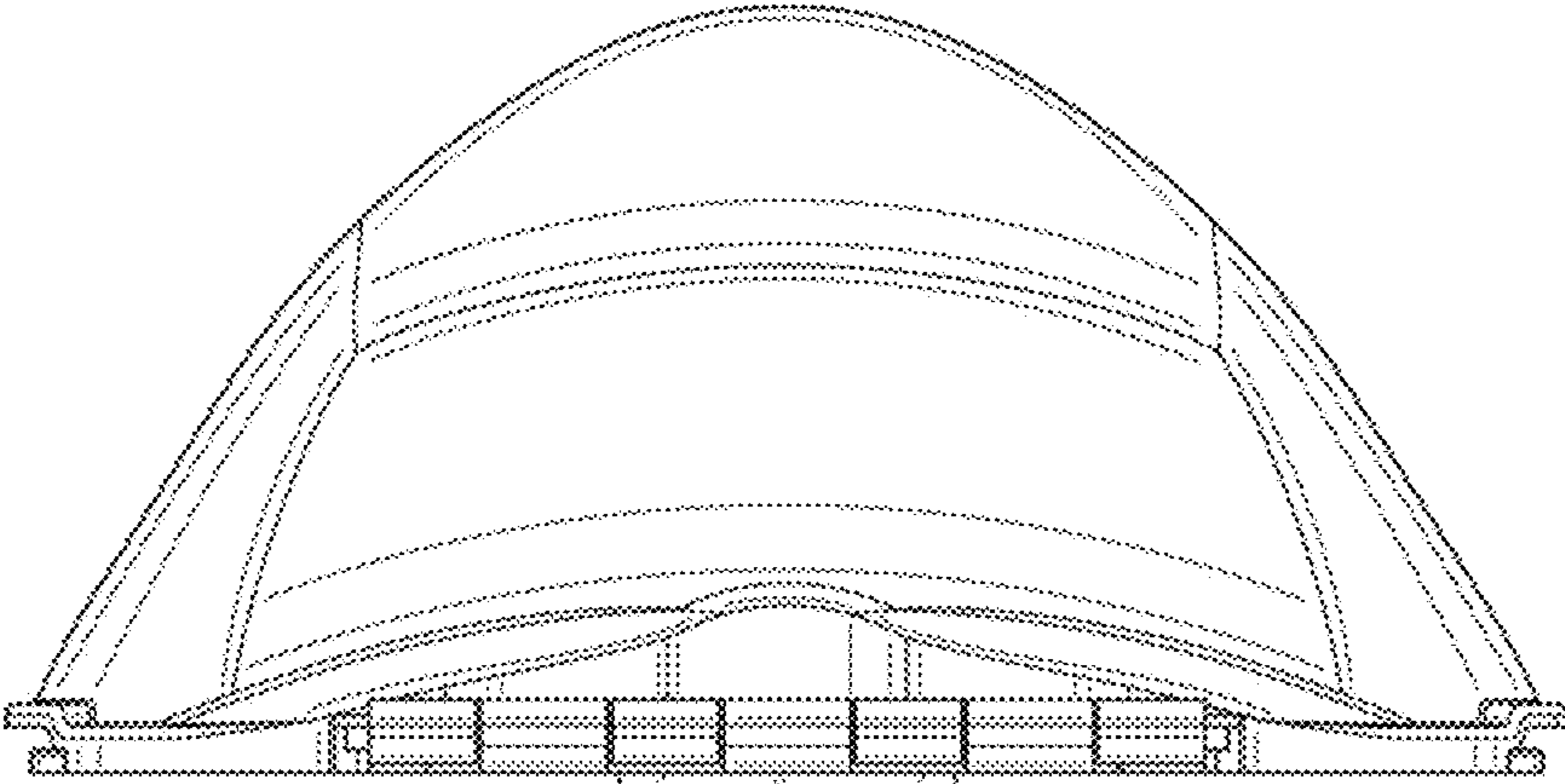


FIG. 7

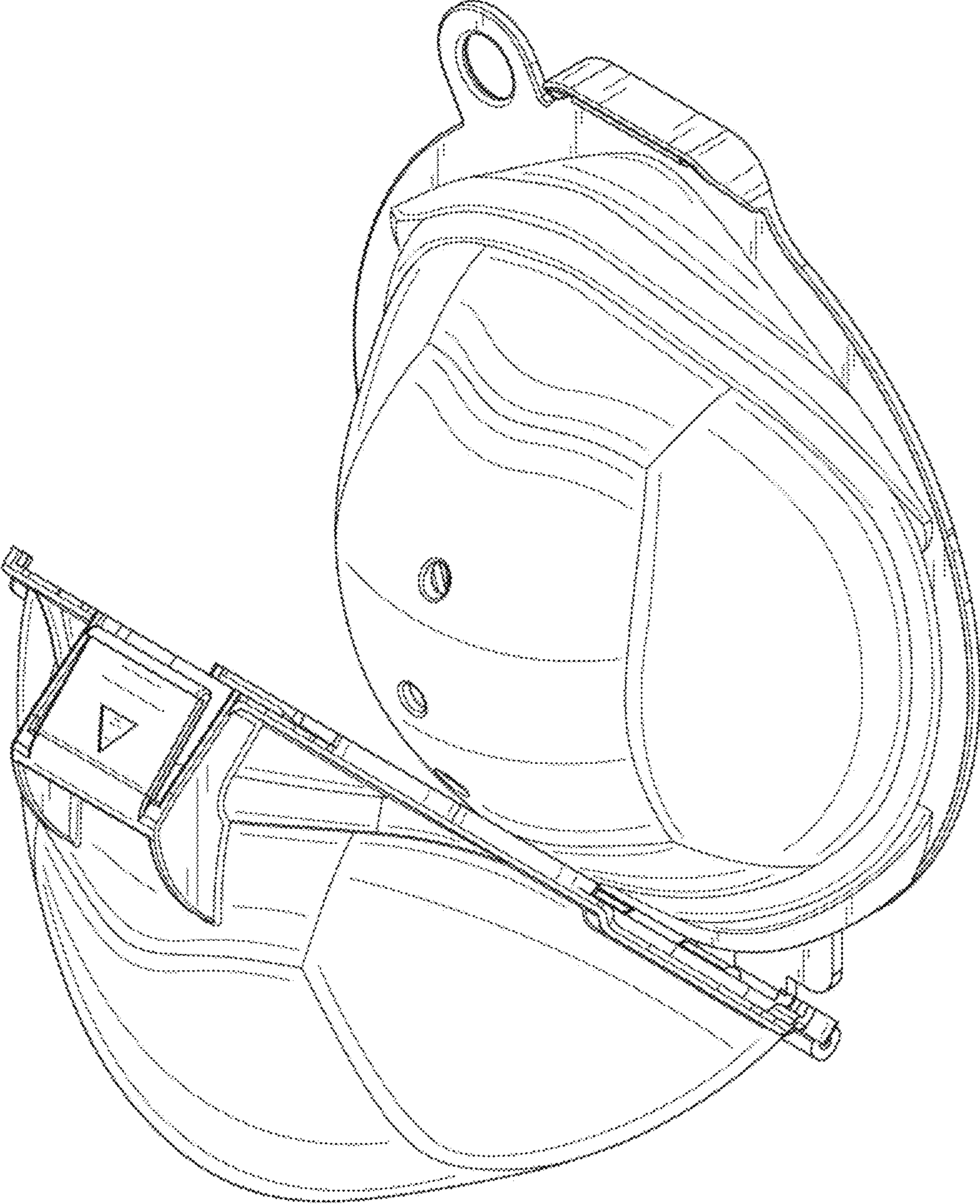


FIG. 8

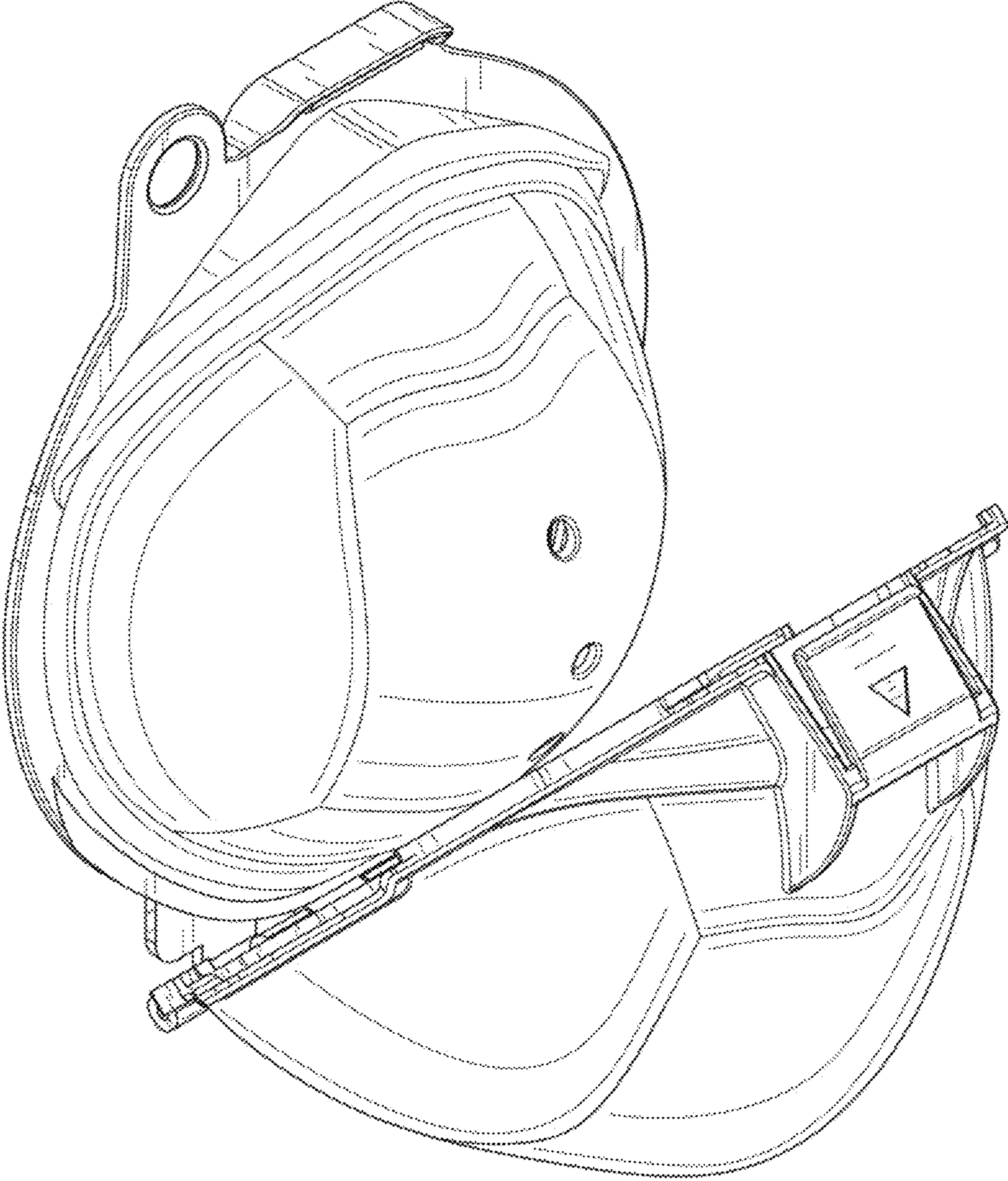


FIG. 9

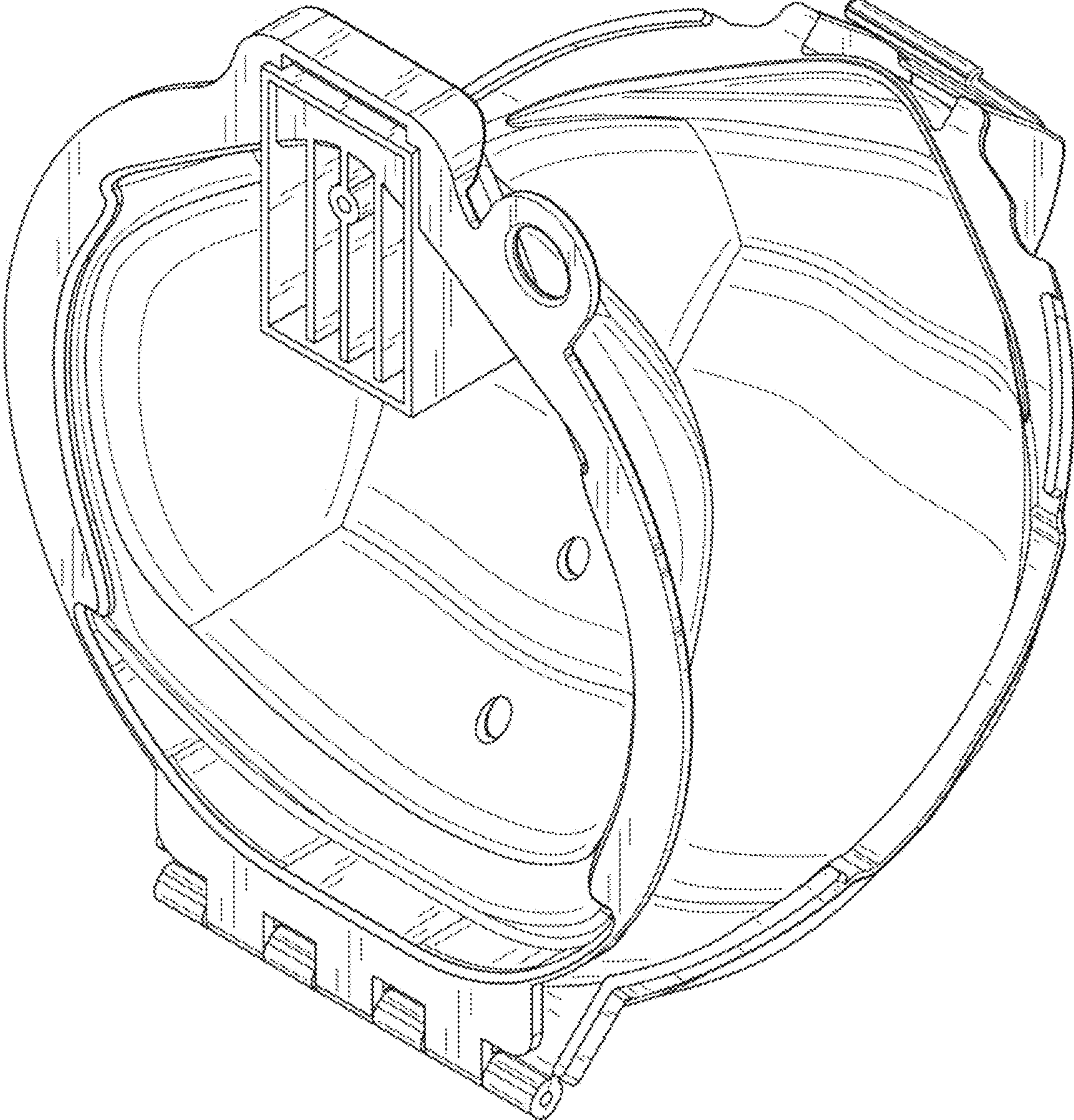


FIG. 10

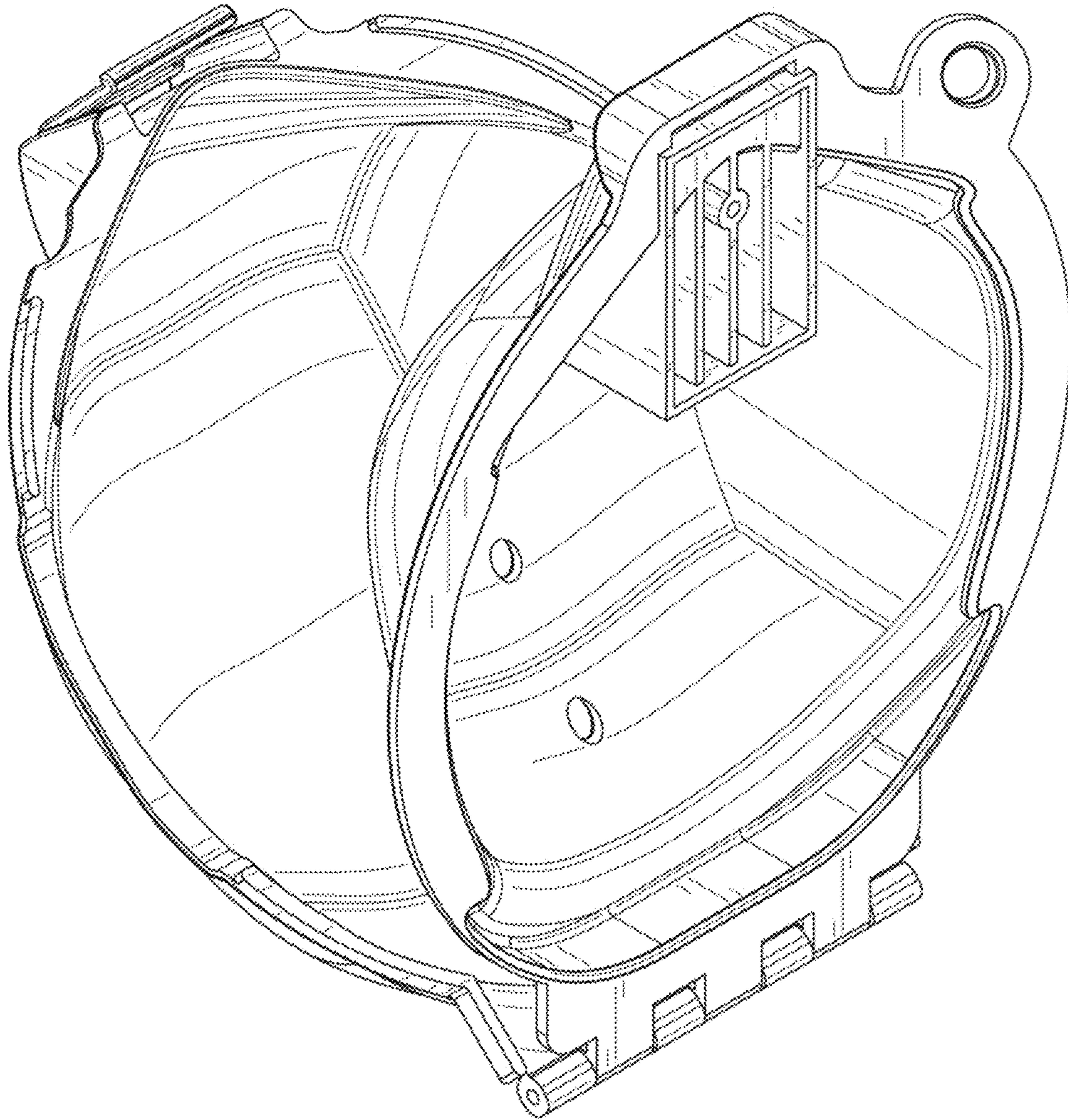


FIG. 11