



US00D979222S

(12) **United States Design Patent** (10) **Patent No.:** **US D979,222 S**
Haythornthwaite (45) **Date of Patent:** **** Feb. 28, 2023**

(54) **UMBRELLA HANDLE**

- (71) Applicant: **Shedrain Corporation**, Portland, OR (US)
- (72) Inventor: **David Haythornthwaite**, Fujian Province (CN)
- (73) Assignee: **SHEDRAIN CORPORATION**, Portland, OR (US)
- (**) Term: **15 Years**
- (21) Appl. No.: **29/755,867**
- (22) Filed: **Oct. 23, 2020**
- (51) **LOC (14) Cl.** **03-03**
- (52) **U.S. Cl.**
USPC **D3/12; D8/107; D8/310**
- (58) **Field of Classification Search**
USPC **D3/5-17, 250; D8/107, 300, 303, D8/310-313, 61, 80, 83; D7/393; D13/133; D9/723**
CPC **A45B 9/02; B25G 1/00; B25G 1/10**
See application file for complete search history.

(56) **References Cited**

U.S. PATENT DOCUMENTS

- D321,782 S * 11/1991 Cain D3/12
- 5,475,894 A * 12/1995 Wildforster B25G 1/105
81/489
- D365,741 S * 1/1996 Decursu D8/310
- D648,088 S * 11/2011 Raven D8/107
- D668,860 S * 10/2012 Halkias D3/5
- D897,184 S * 9/2020 Perkins, Jr. D8/303
- D930,452 S * 9/2021 Tang D8/83

FOREIGN PATENT DOCUMENTS

- CN 305674984 * 4/2020
- CN 305831550 * 6/2020
- CN 305840347 * 6/2020

OTHER PUBLICATIONS

- Amazon.ca, Site visited Aug. 18, 2022, Samsonite Compact Auto Open/Close Umbrella, First available Oct. 9, 2015, <https://www.amazon.ca/Samsonite-Compact-Close-Umbrella-Black/dp/B00BXLWD1E> (Year: 2015).*
- Amazon.com, Site visited Aug. 18, 2022, Stormeagle Reinforced Travel Umbrella, First available Aug. 26, 2016, <https://www.amazon.com/Stormeagle-Reinforced-Lightweight-Protection-Slip-Proof/dp/B01L26LAG8?th=1> (Year: 2016).*
- Amazon.ca, Site visited Aug. 18, 2022, G4Free Portable Golf Umbrella, First Available Dec. 7, 2018, <https://www.amazon.ca/G4Free-Windproof-Waterproof-Automatic-Umbrellas/dp/B07QB1GNN8> (Year: 2018).*

* cited by examiner

Primary Examiner — Brett Miller
Assistant Examiner — Jessica M Gebhart
(74) *Attorney, Agent, or Firm* — Leason Ellis LLP

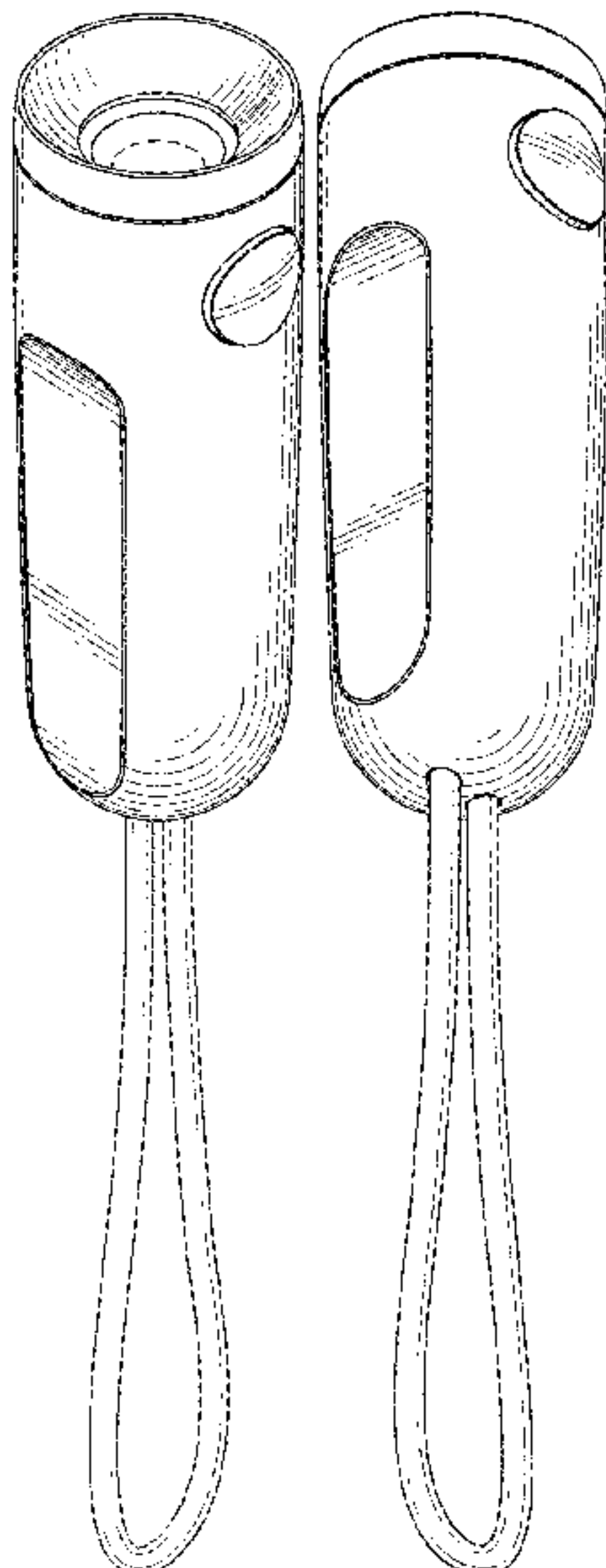
(57) **CLAIM**

The ornamental design for an umbrella handle, as shown and described.

DESCRIPTION

FIG. 1 is a left-rear perspective view of my umbrella handle according to my new design;
FIG. 2 is a right-rear perspective view thereof;
FIG. 3 is a left-bottom perspective view thereof;
FIG. 4 is a left side view thereof;
FIG. 5 is a rear view thereof;
FIG. 6 is a right side view thereof;
FIG. 7 is top plan thereof; and,
FIG. 8 is bottom plan view thereof.
The broken lines depict portions of the umbrella handle that form no part of the claimed design. The broken lines act as boundaries to the claimed design.

1 Claim, 7 Drawing Sheets



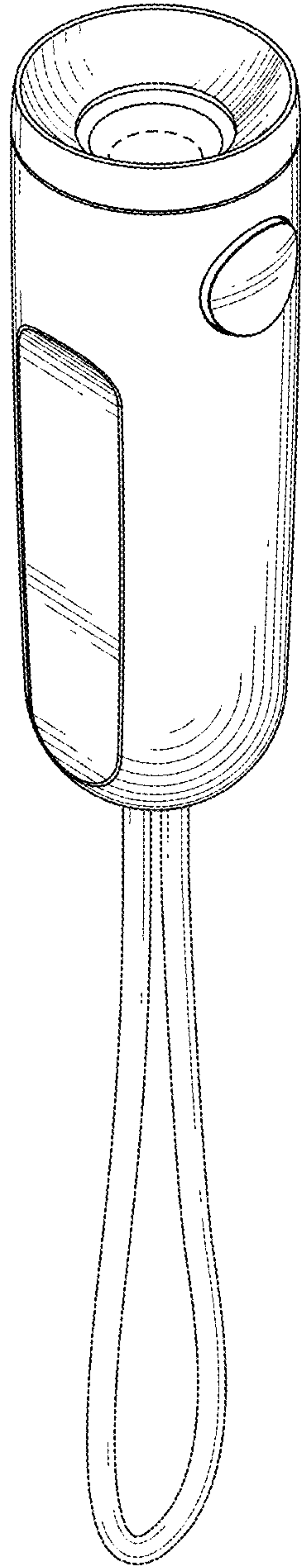


Fig. 1

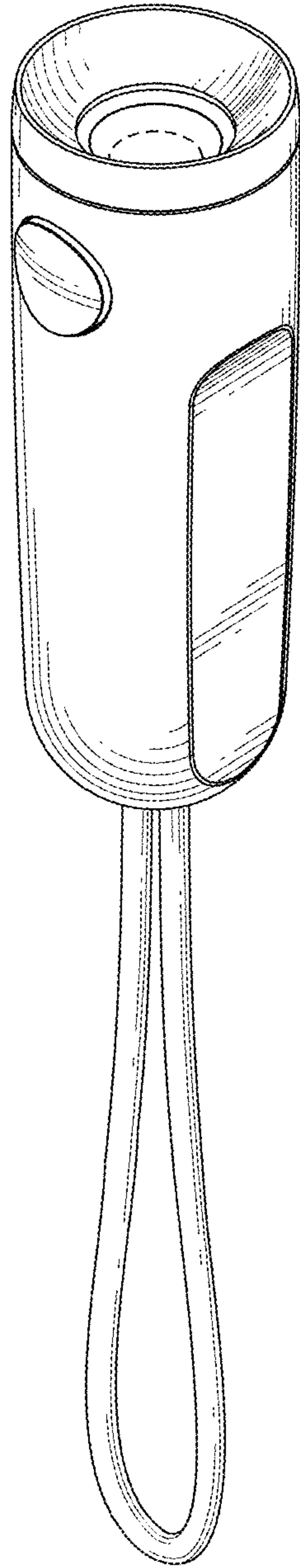


Fig. 2

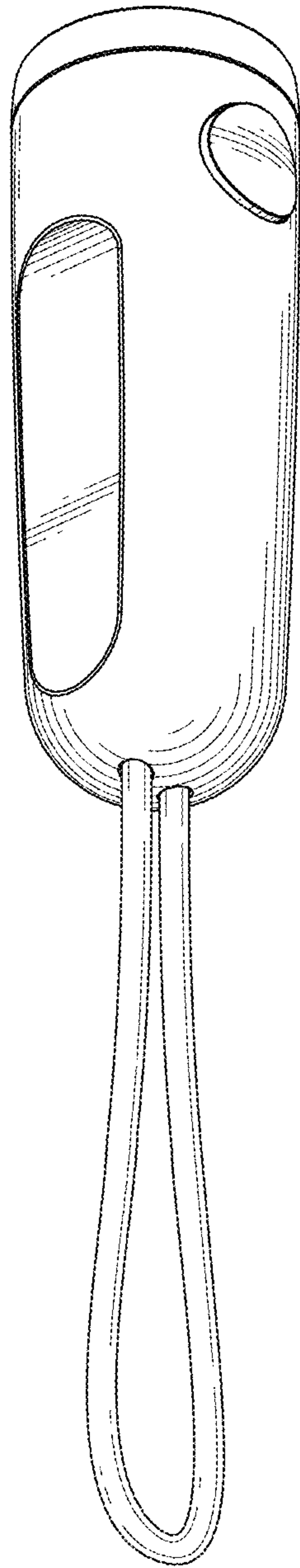


Fig. 3

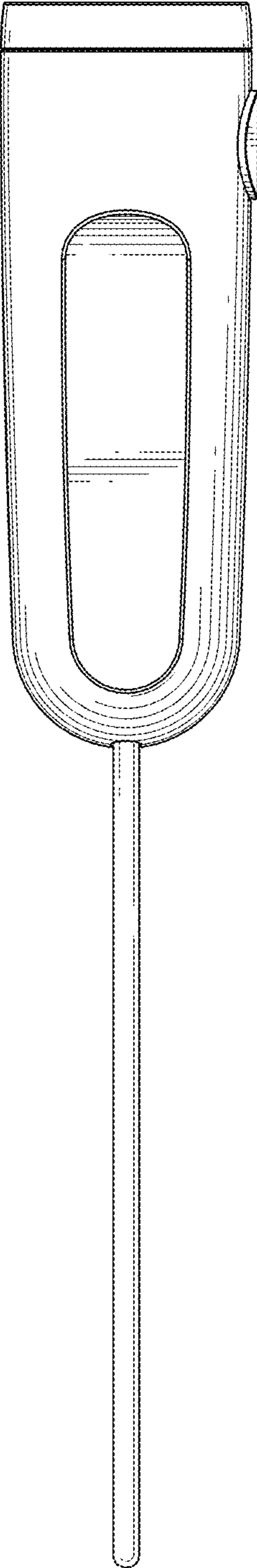


Fig. 4

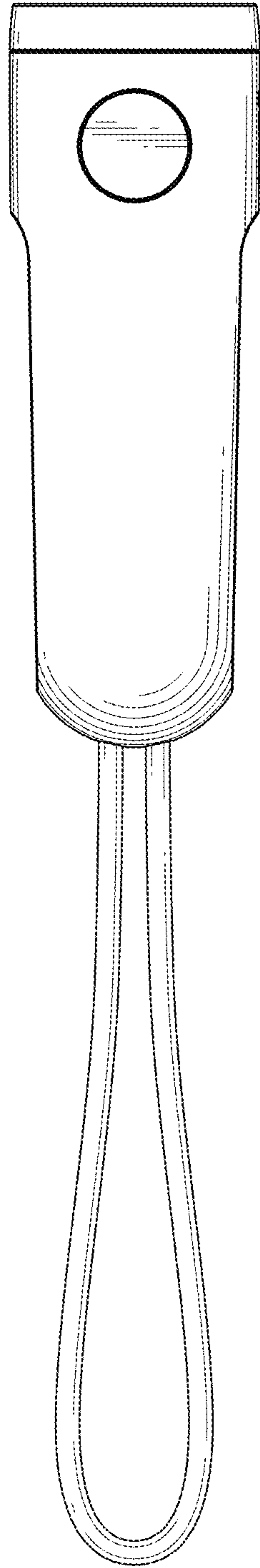


Fig. 5

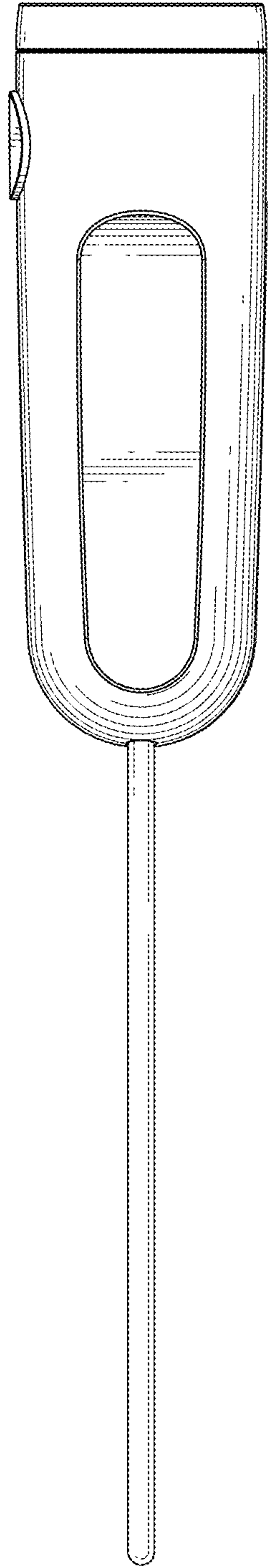


Fig. 6

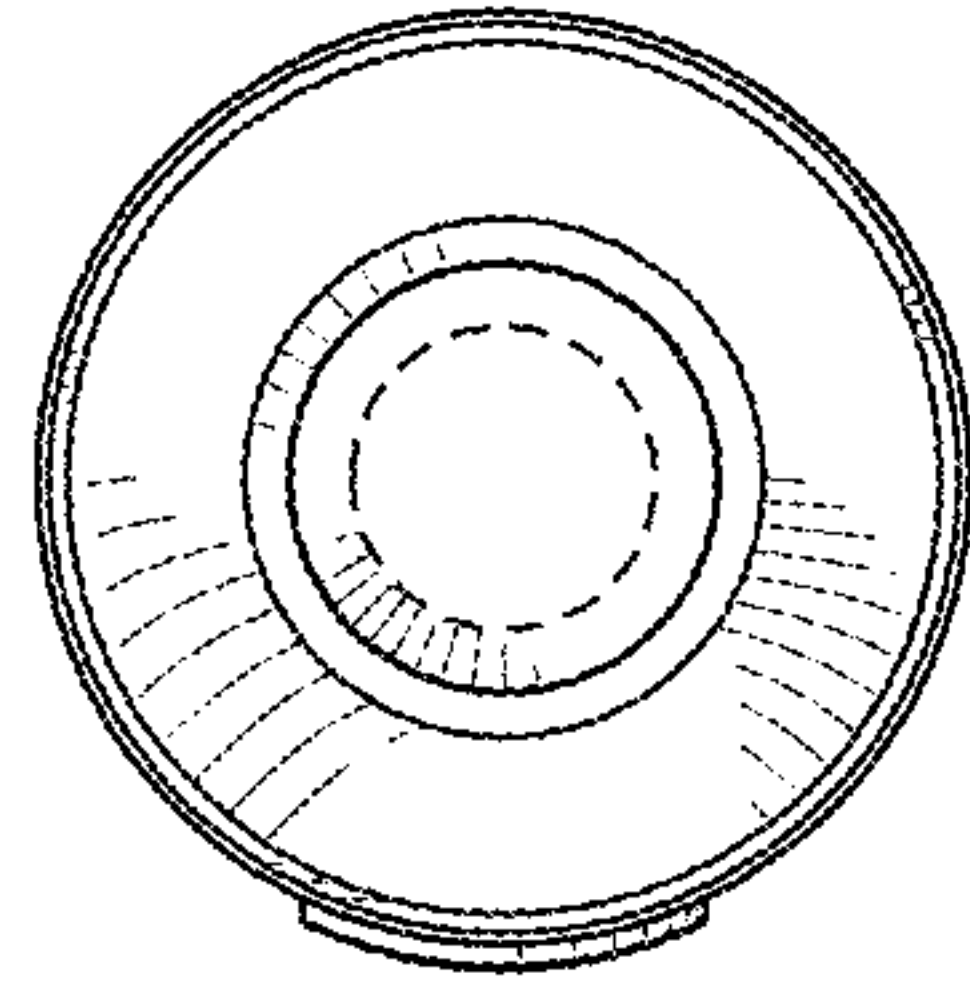


Fig. 7

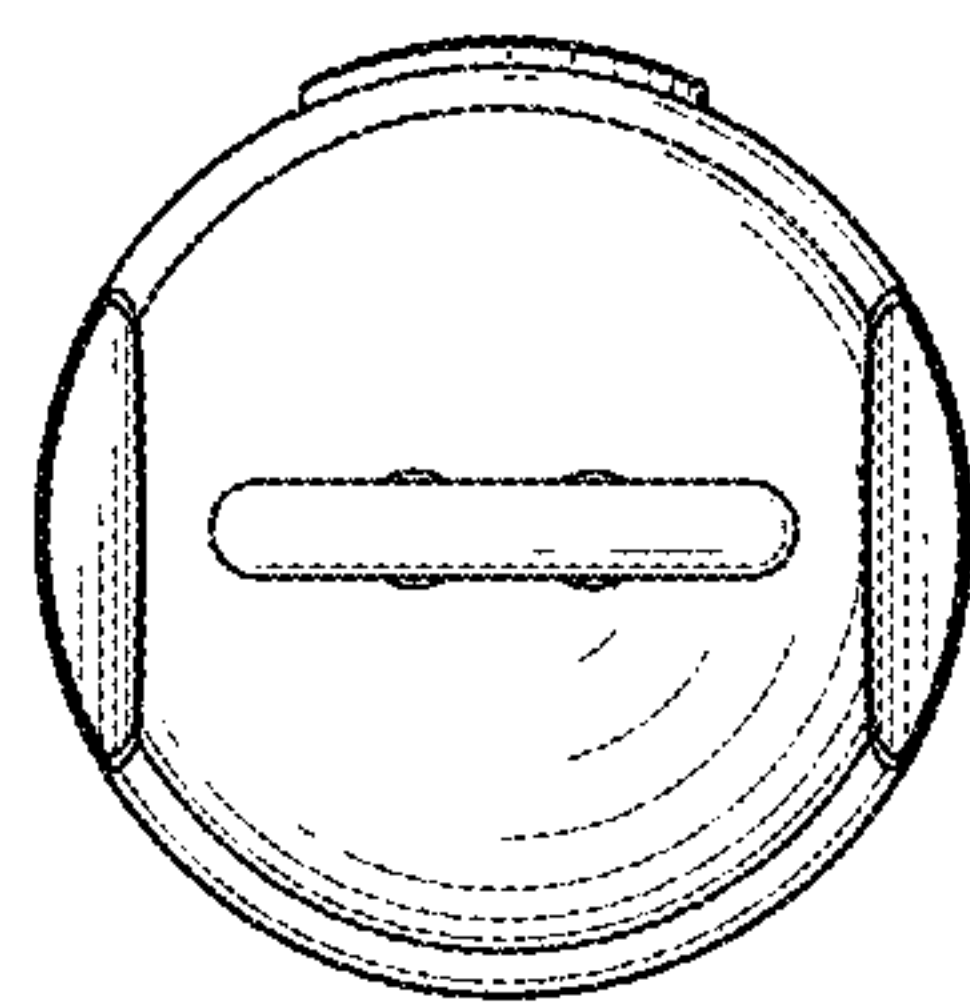


Fig. 8