



US00D979190S

(12) **United States Design Patent**
Grobman

(10) **Patent No.:** **US D979,190 S**

(45) **Date of Patent:** **** Feb. 28, 2023**

(54) **HIGH TOP SNEAKER WITH A PAIR OF GORES**

(71) Applicant: **Alan Grobman**, New York, NY (US)

(72) Inventor: **Alan Grobman**, New York, NY (US)

(**) Term: **15 Years**

(21) Appl. No.: **29/800,608**

(22) Filed: **Jul. 22, 2021**

(51) **LOC (14) Cl.** **02-04**

(52) **U.S. Cl.**
USPC **D2/945**

(58) **Field of Classification Search**
USPC D2/902, 907, 908, 944, 945, 958, 959,
D2/969, 970, 972-974
CPC A43B 1/04; A43B 5/06; A43B 5/10
See application file for complete search history.

(56) **References Cited**

U.S. PATENT DOCUMENTS

D128,519 S *	7/1941	Hard	D2/902
D240,280 S *	6/1976	Senter	D2/902
D428,691 S *	8/2000	Matis	D2/903
D458,442 S *	6/2002	Matis	D2/903
D537,616 S *	3/2007	Campbell	D2/972
D592,837 S *	5/2009	Vico	D2/908
D634,520 S *	3/2011	Choi	D2/944
D646,875 S *	10/2011	LaRusso	D2/969
D665,562 S *	8/2012	Di Nucci	D2/907
D701,680 S *	4/2014	Della Valle	D2/944
D725,353 S *	3/2015	Della Valle	D2/944
D746,029 S *	12/2015	Hardy	D2/943
D762,364 S *	8/2016	Siegel	D2/944
D763,558 S *	8/2016	Bacchin	D2/944

D804,784 S *	12/2017	Romero	D2/902
D845,605 S *	4/2019	Hernandez	D2/972
D880,819 S *	4/2020	Verfl	D2/954
D924,554 S *	7/2021	Grobman	D2/972

* cited by examiner

Primary Examiner — Kevin K Rudzinski
Assistant Examiner — Clare Ann Gannon
(74) *Attorney, Agent, or Firm* — Warshaw Burstein, LLP

(57) **CLAIM**

The ornamental design for a high top sneaker with a pair of gores, as shown and described.

DESCRIPTION

FIG. 1 is a front right perspective view of a high top sneaker with a pair of gores;
FIG. 2 is a front left perspective view of a high top sneaker with a pair of gores;
FIG. 3 is a top view of a high top sneaker with a pair of gores;
FIG. 4 is a bottom view of a high top sneaker with a pair of gores;
FIG. 5 is a front view of a high top sneaker with a pair of gores;
FIG. 6 is a back view of a high top sneaker with a pair of gores;
FIG. 7 is a right-side view of a high top sneaker with a pair of gores; and,
FIG. 8 is a left-side view of a high top sneaker with a pair of gores.
The broken lines depict stitching that forms a part of the claimed design.

1 Claim, 4 Drawing Sheets

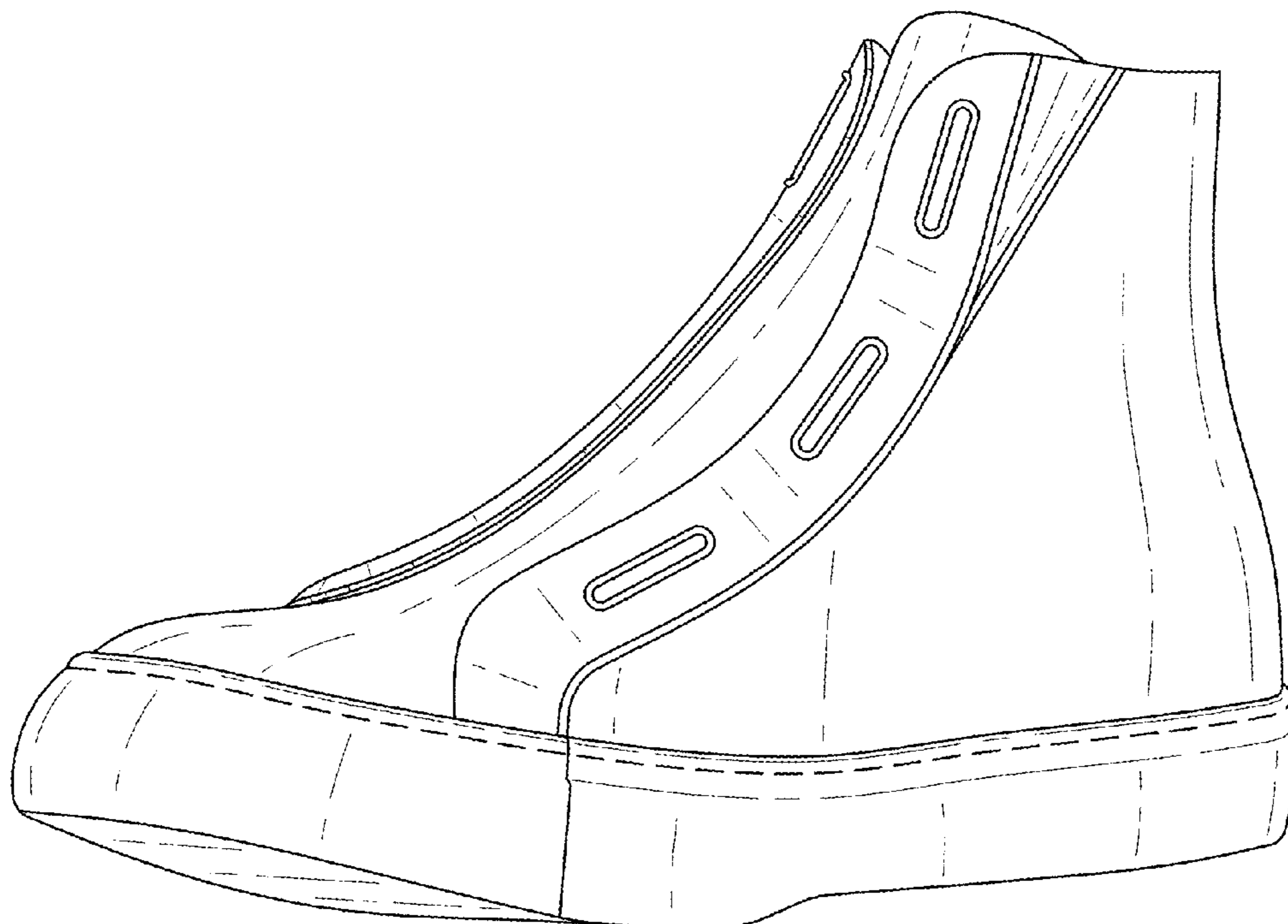


FIG. 1

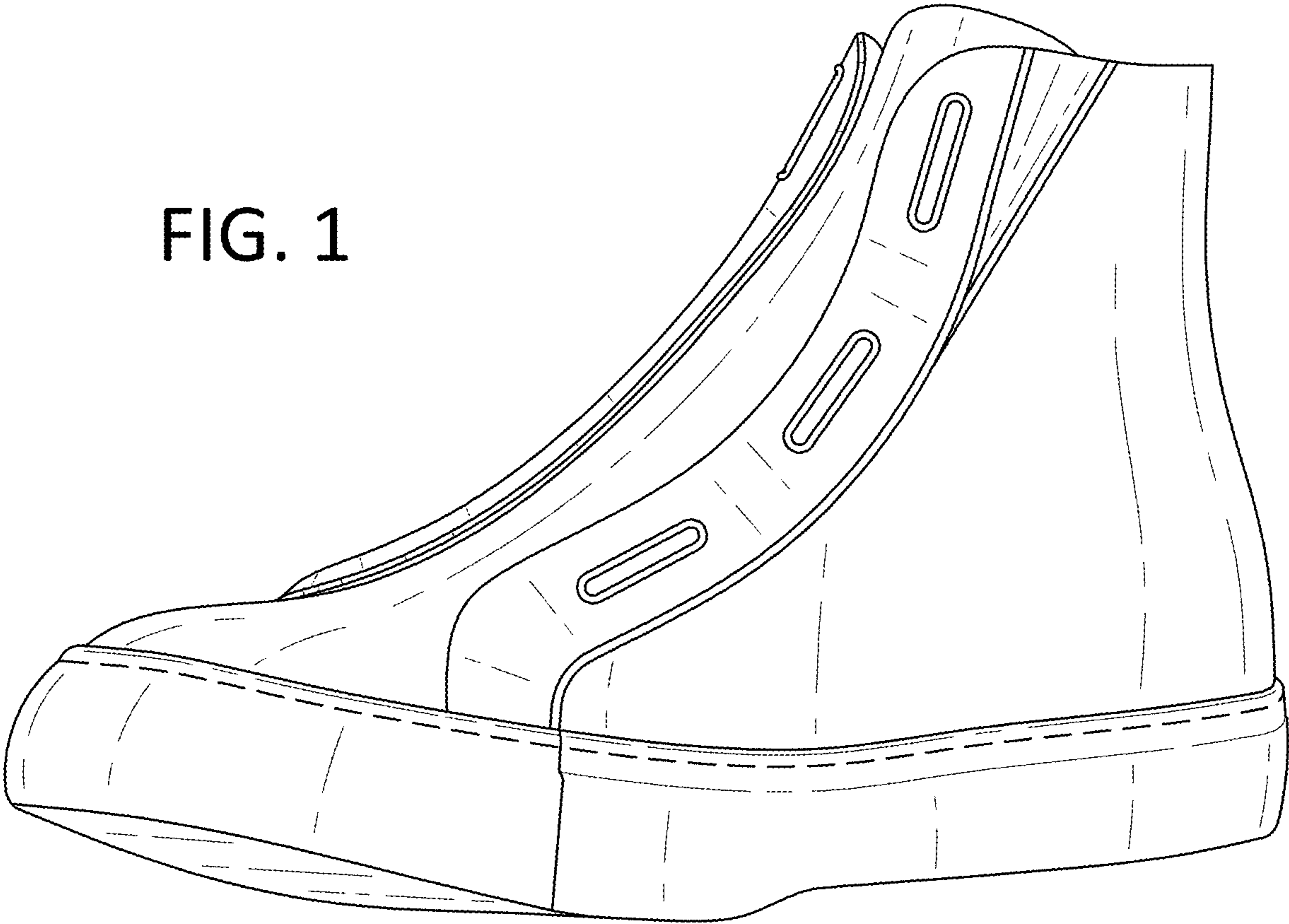
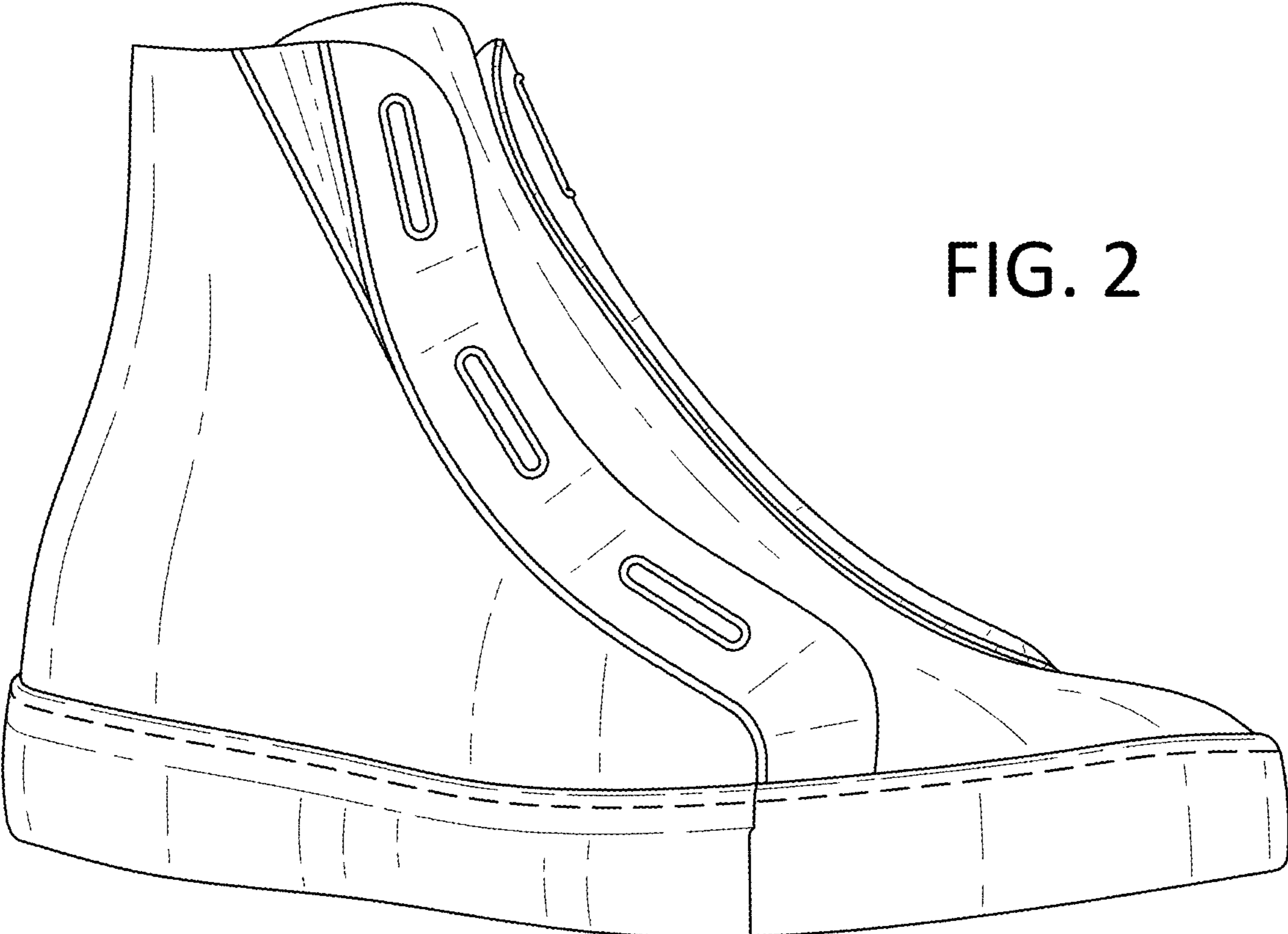


FIG. 2



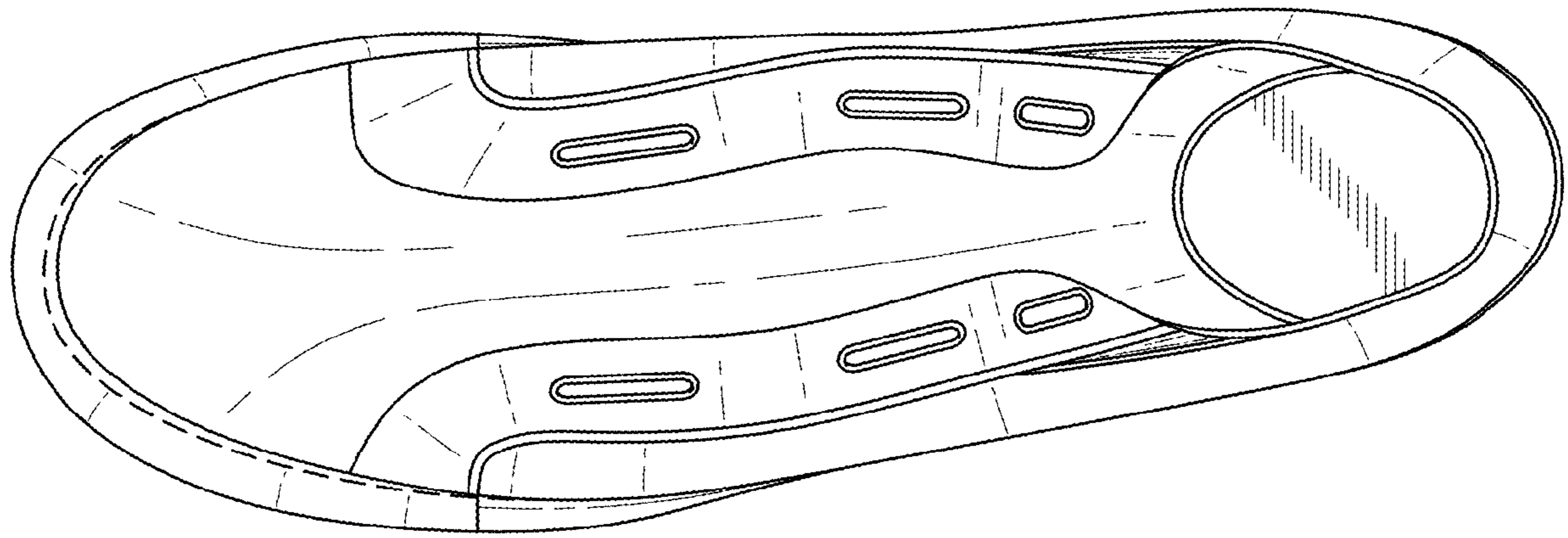


FIG. 3

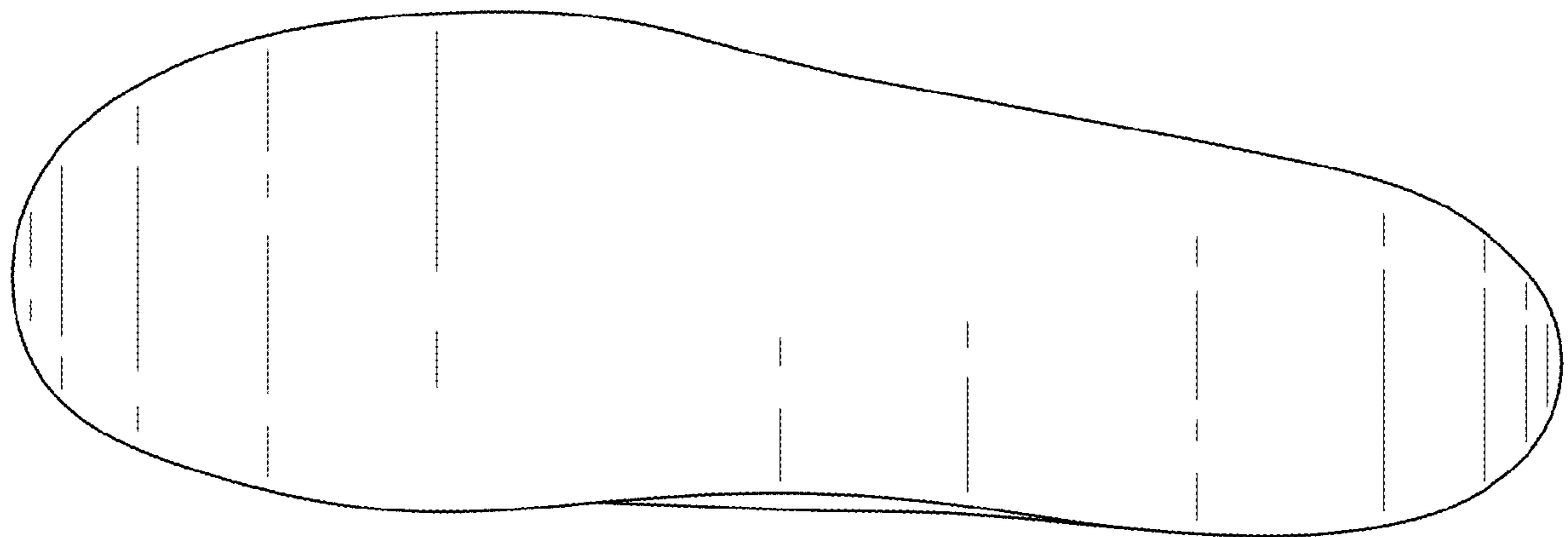


FIG. 4

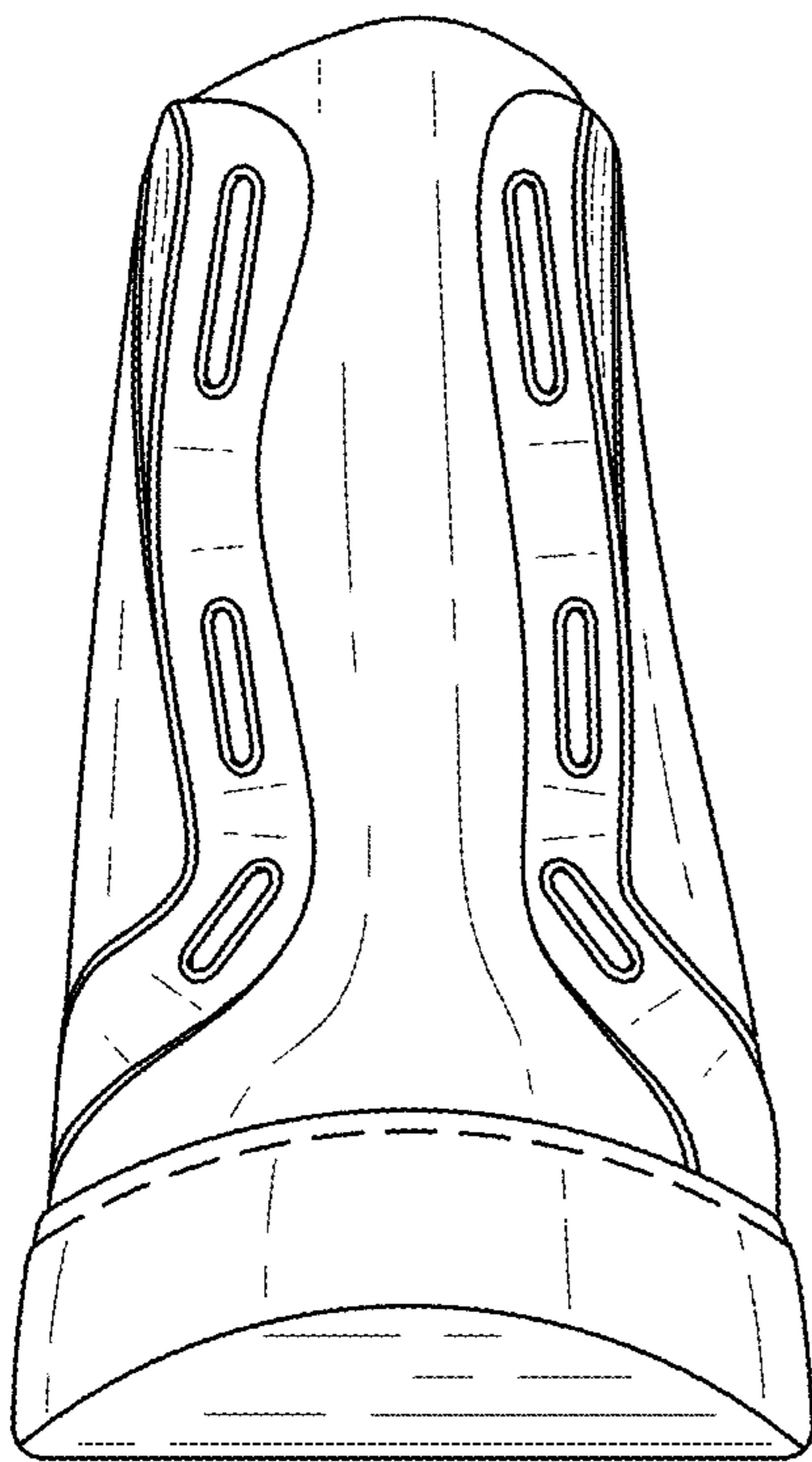


FIG. 5

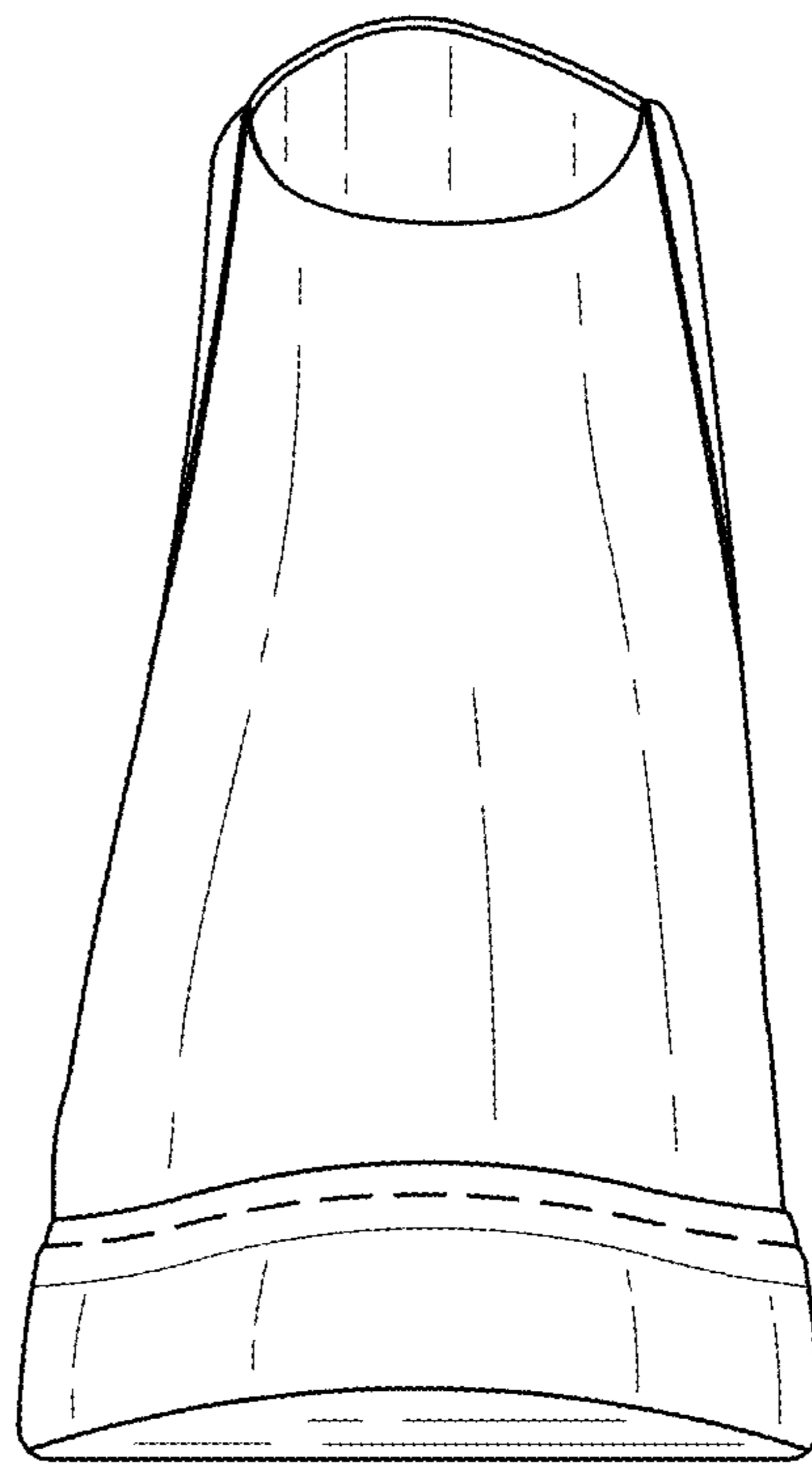


FIG. 6

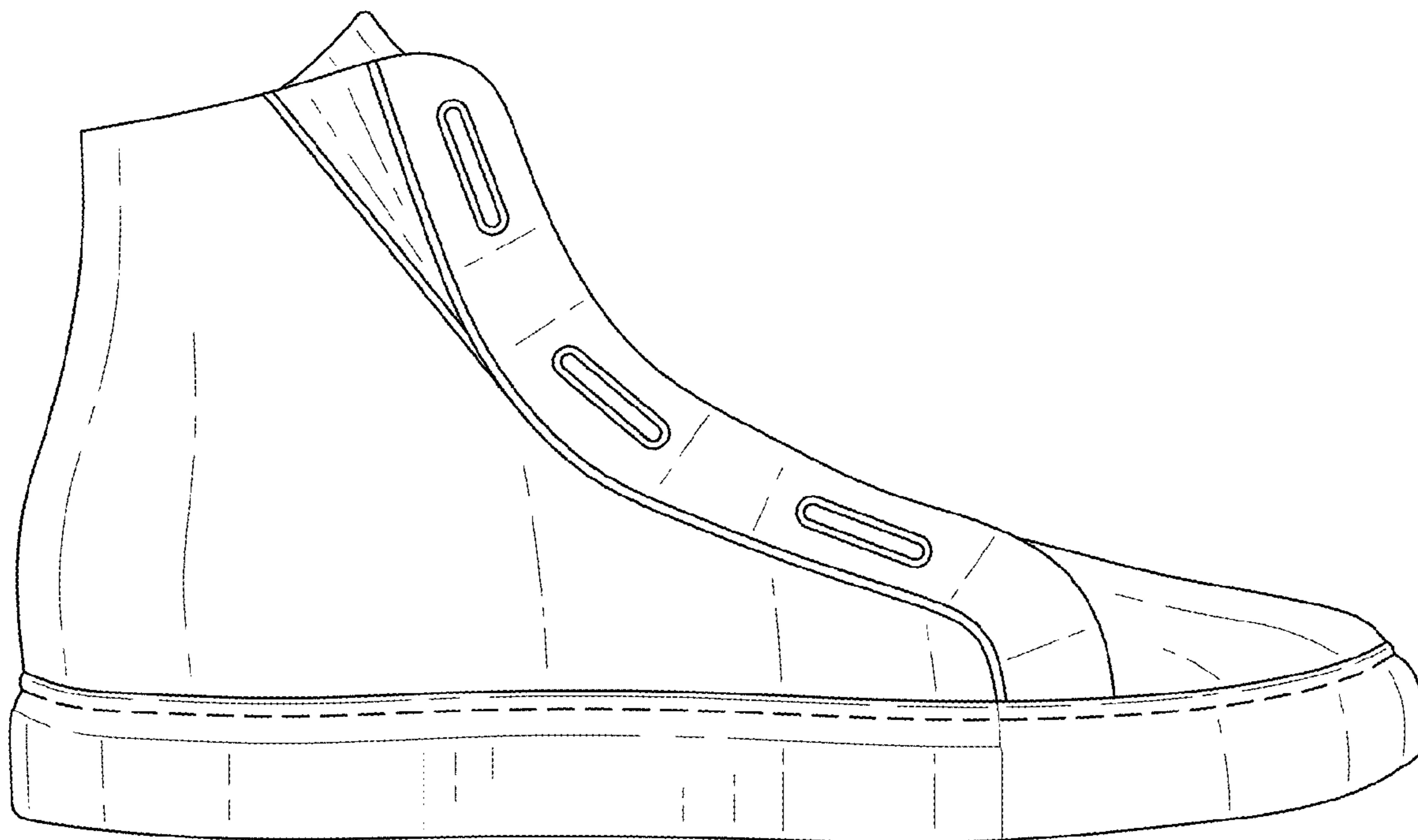


FIG. 7

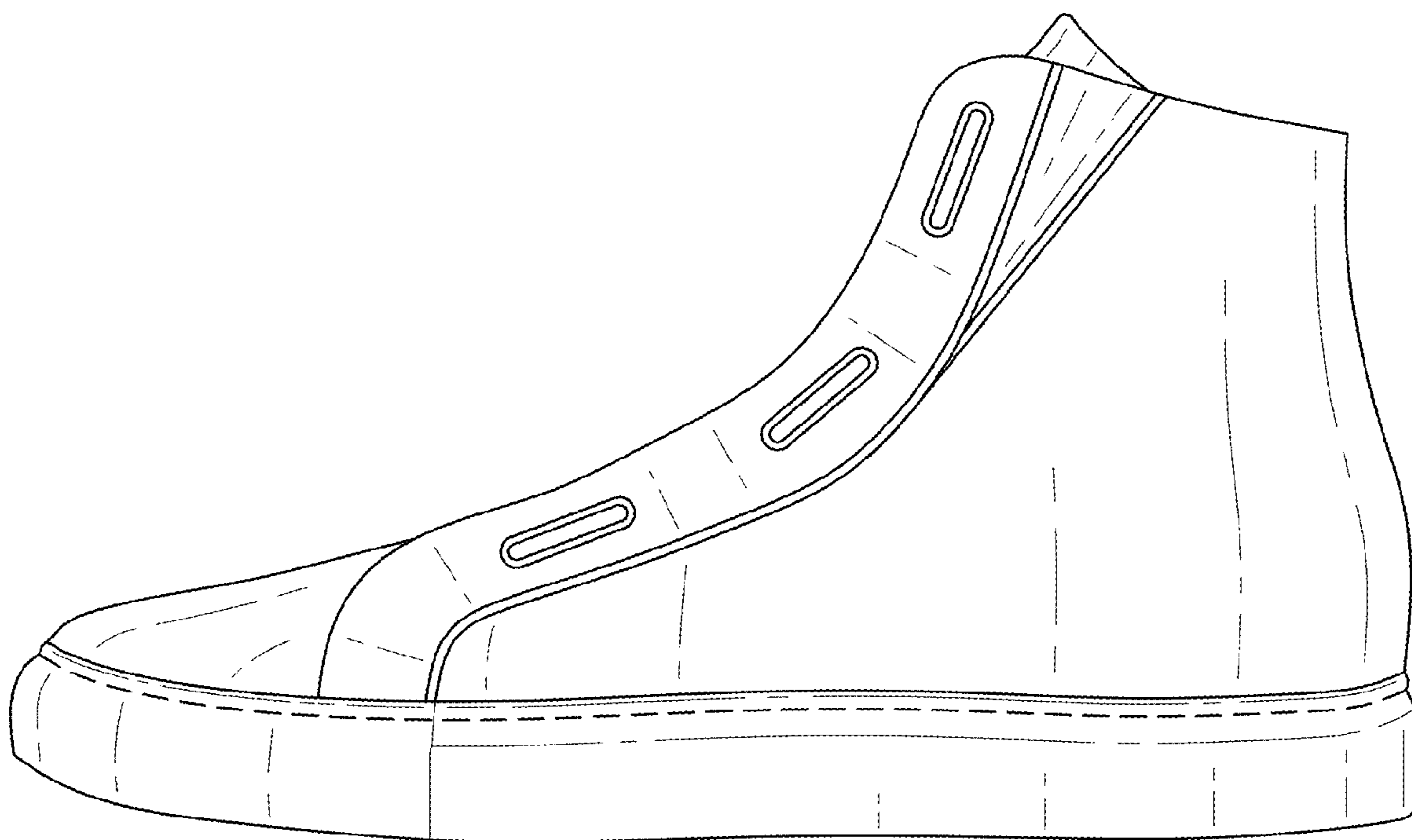


FIG. 8