



US00D979177S

(12) **United States Design Patent**
Wang

(10) **Patent No.:** **US D979,177 S**
(45) **Date of Patent:** **** Feb. 21, 2023**

- (54) **CIPHER BOX**
- (71) Applicant: **Haoran Wang**, Zhejiang (CN)
- (72) Inventor: **Haoran Wang**, Zhejiang (CN)
- (**) Term: **15 Years**
- (21) Appl. No.: **29/809,788**
- (22) Filed: **Sep. 30, 2021**
- (51) **LOC (14) Cl.** **99-00**
- (52) **U.S. Cl.**
USPC **D99/28**; D8/331; D8/334
- (58) **Field of Classification Search**
USPC D99/28, 34, 35, 36, 37, 43, 99; D8/330,
D8/331, 333, 334, 343, 499, 335;
D3/902, 903, 904, 905, 201, 272, 273;
D18/3.1, 3.3, 12.1
CPC A45C 1/12; A45C 2001/125; A45C
2001/102; A45C 2001/104; A45C
2001/006; A45C 2001/003; A45C
2001/105; A45C 2001/107; E05G 1/00;
E05G 1/005; E05G 1/024; E05G 1/026;
E05G 5/00; E05G 7/00; E05G 7/001;
E05G 2700/00; E05G 2700/02; B63C
7/30; G07D 9/00; G07D 9/002; G07D
9/004; G07D 9/006; G07D 9/008; G07D
9/02; G07D 9/04; G07D 9/06; G07D
9/065; G07D 11/00; G07D 11/0021;
G07D 13/00; G07D 2201/00; G07D
2211/00; G07F 9/06; G07F 9/08
See application file for complete search history.

(56) **References Cited**

U.S. PATENT DOCUMENTS

- 1,955,809 A * 4/1934 Hobbs E05B 65/52
70/52
- 2,755,748 A * 7/1956 Abell, Jr. A45C 13/20
109/52

- 3,084,532 A * 4/1963 Williams E05B 19/0005
70/38 C
- 3,146,739 A * 9/1964 Furman A47K 5/02
109/52
- D231,895 S * 6/1974 Stolarz D8/334
- 3,934,434 A * 1/1976 Law E05B 19/0005
70/63
- 4,641,505 A * 2/1987 Maurice E05B 19/0005
70/162
- 4,838,052 A * 6/1989 Williams E05B 63/248
70/277
- D376,691 S * 12/1996 Naas D99/28
- D386,307 S * 11/1997 Naas D3/273

(Continued)

OTHER PUBLICATIONS

Burg-Wächter Key Safe with Combination Lock, 30 SB, Steel, Black, <https://www.amazon.de/-/en/Burg-W%C3%A4chter-Safe-Combination-Steel-Black/dp/B07H4J2QHP?th=1>, Sep. 6, 2018. (Year: 2018).*

(Continued)

Primary Examiner — Elizabeth J Oswecki

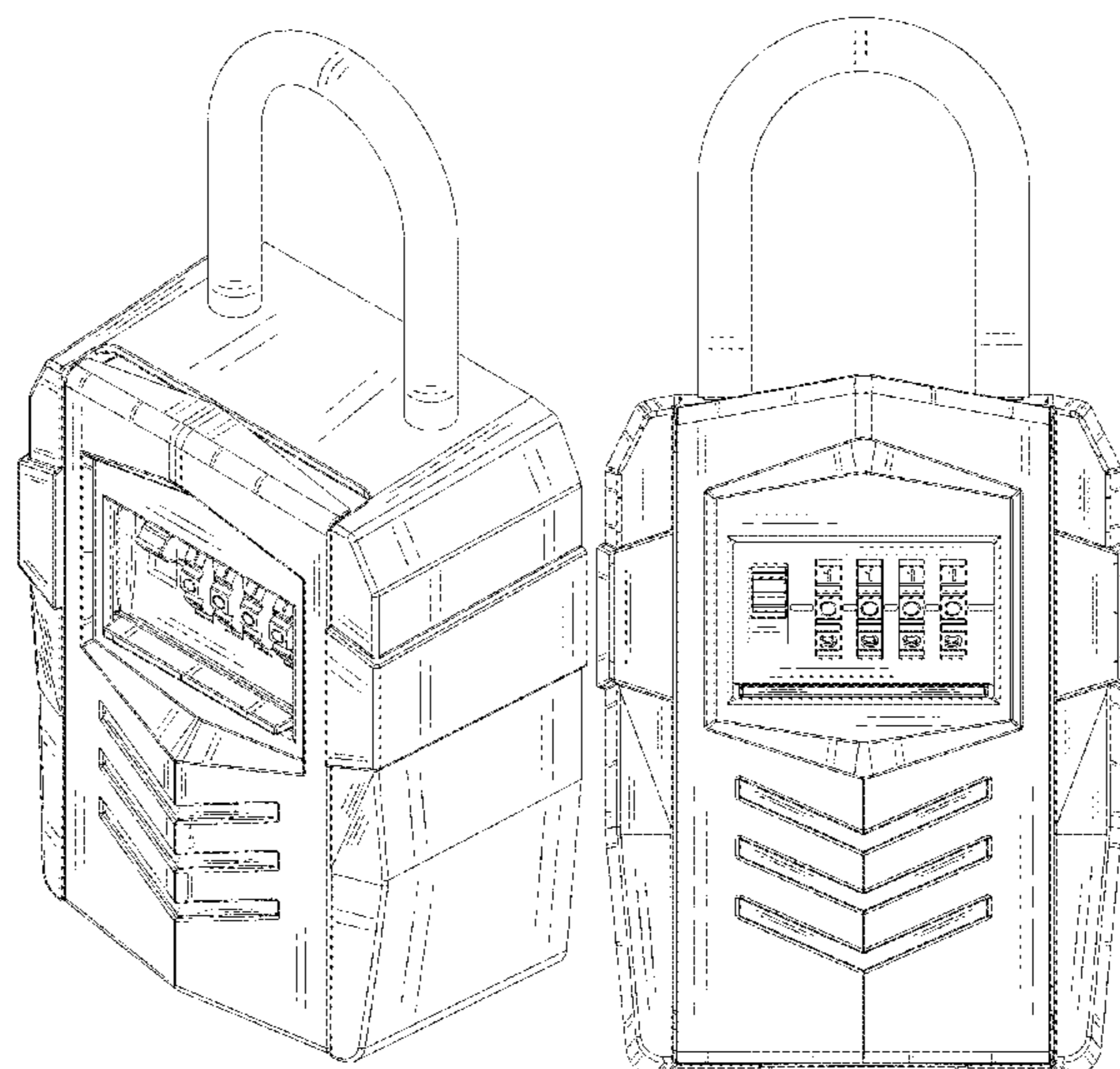
(57) **CLAIM**

The ornamental design for a cipher box, as shown and described.

DESCRIPTION

FIG. 1 is a perspective view of a cipher box showing my new design;
 FIG. 2 is a front elevational view thereof;
 FIG. 3 is a rear elevational view thereof;
 FIG. 4 is a left side elevational view thereof;
 FIG. 5 is a right side elevational view thereof;
 FIG. 6 is a top plan view thereof;
 FIG. 7 is a bottom plan view thereof; and,
 FIG. 8 is another perspective view thereof.
 The broken lines shown in the drawings represent portions of the cipher box that form no part of the claimed design.

1 Claim, 8 Drawing Sheets



(56)

References Cited

U.S. PATENT DOCUMENTS

5,737,947 A * 4/1998 Ling E05B 19/0005
70/312
6,813,912 B1 * 11/2004 Ng E05B 19/0005
70/284
6,834,519 B1 * 12/2004 Yang E05B 67/22
70/25
D592,934 S * 5/2009 Yang D8/334
D614,044 S * 4/2010 Mouquet D8/334
D638,684 S * 5/2011 Stevens D8/334
7,946,141 B2 * 5/2011 Ng E05B 37/025
70/284
D654,654 S * 2/2012 Meekma D99/28
D719,344 S * 12/2014 Miller D99/28
D828,141 S * 9/2018 Yang D8/330
2004/0226325 A1 * 11/2004 Ling E05G 1/005
70/63
2005/0223758 A1 * 10/2005 Yu E05B 19/0005
70/284
2005/0229655 A1 * 10/2005 Yu A45C 13/00
70/284

2006/0213237 A1 * 9/2006 Yang E05B 19/0005
70/63
2007/0180873 A1 * 8/2007 Yen E05B 73/0005
70/63
2008/0115544 A1 * 5/2008 Yang E05B 37/025
70/63

OTHER PUBLICATIONS

Master Lock Key Safe [Medium size] [Wall mounted] [Outdoor] [Exist in 2 colors]—5401EURD—Key Lock Box, Master Lock Key Safe [Medium size] [Wall mounted] [Outdoor] [Exist in 2 colors]—5401 EURD—Key Lock Box, Jan. 1, 2006. (Year: 2006).
Key Lock Box Key Safe Box 4 Digit Combination Key Storage Wall Mounted Alloy, <https://www.ebay.com/itm/154900456044>, Nov. 15, 2022. (Year: 2022).
Kyoffiie Key Safe Box 4 Digit Code Lock-Storage Key Box Outdoor Wall Mounted Security Password Key Box 4 Combination Code Key Storage Lock Box, <https://www.walmart.com/ip/Kyoffiie-Key-Safe-Box-4-Digit-Code-Lock-Storage-Key-Box-Outdoor-Wall-Mounted-Security-Password-Key-Box-4-Combination>, 2022. (Year: 2022).*

* cited by examiner

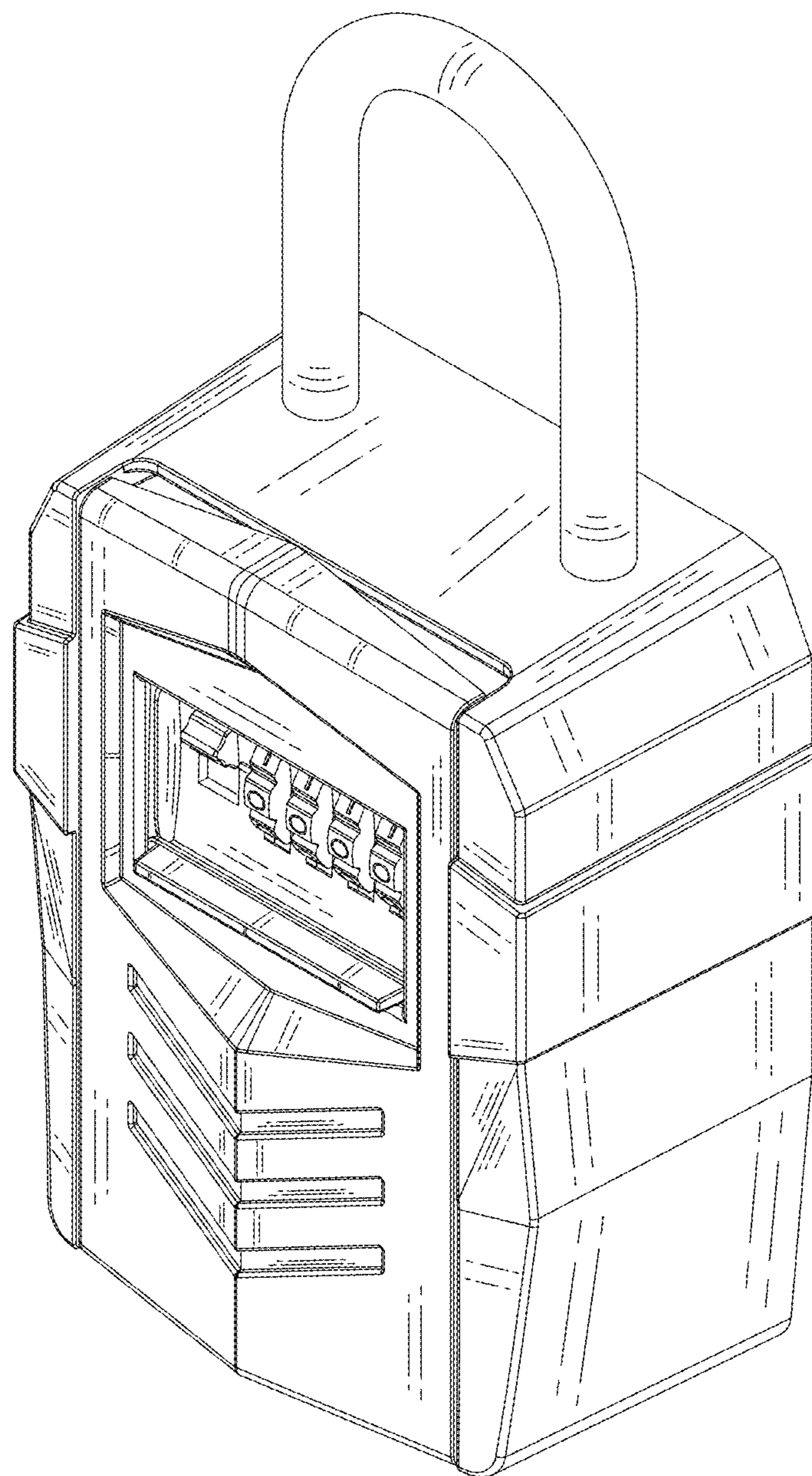


FIG.1

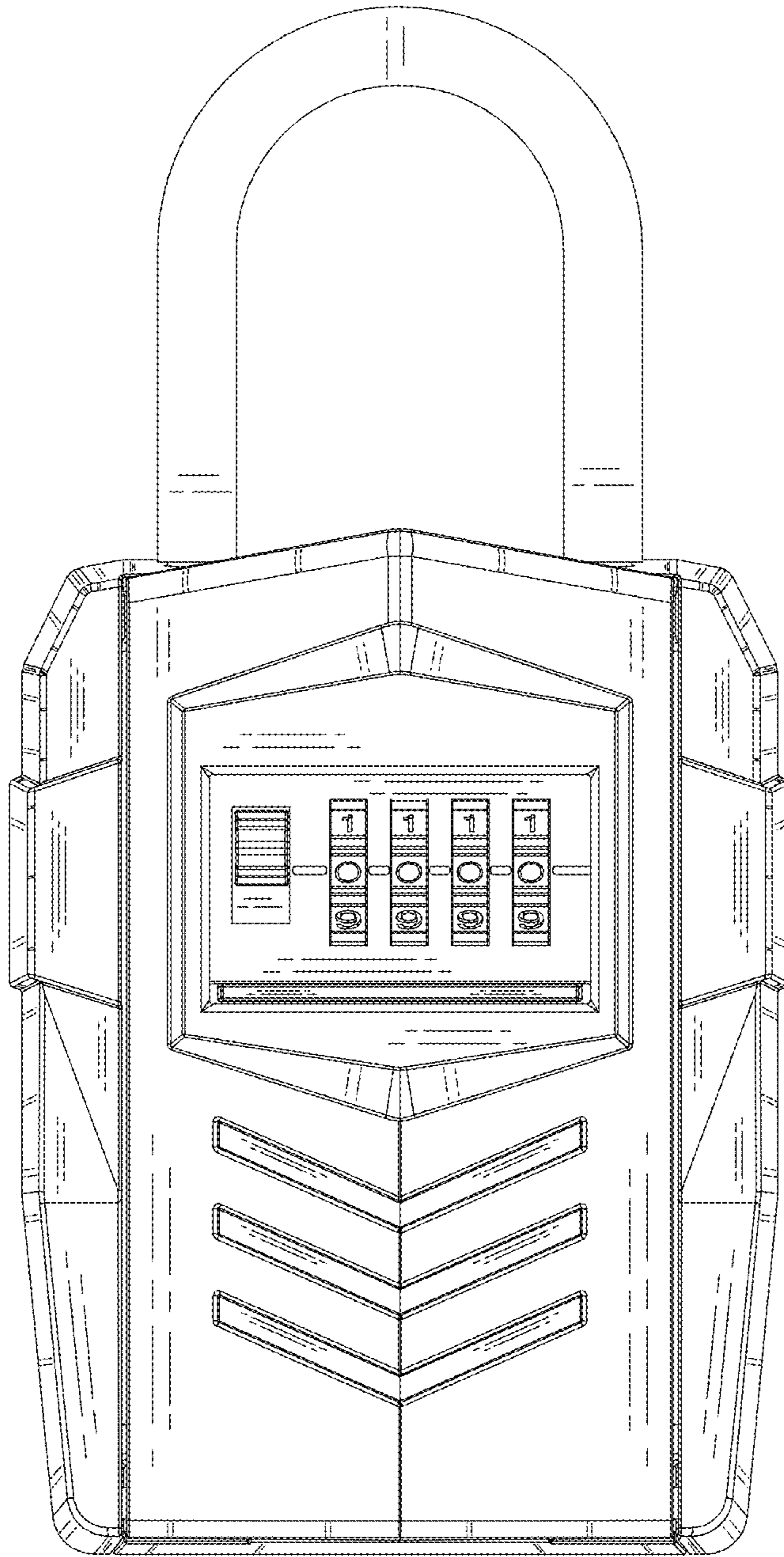


FIG.2

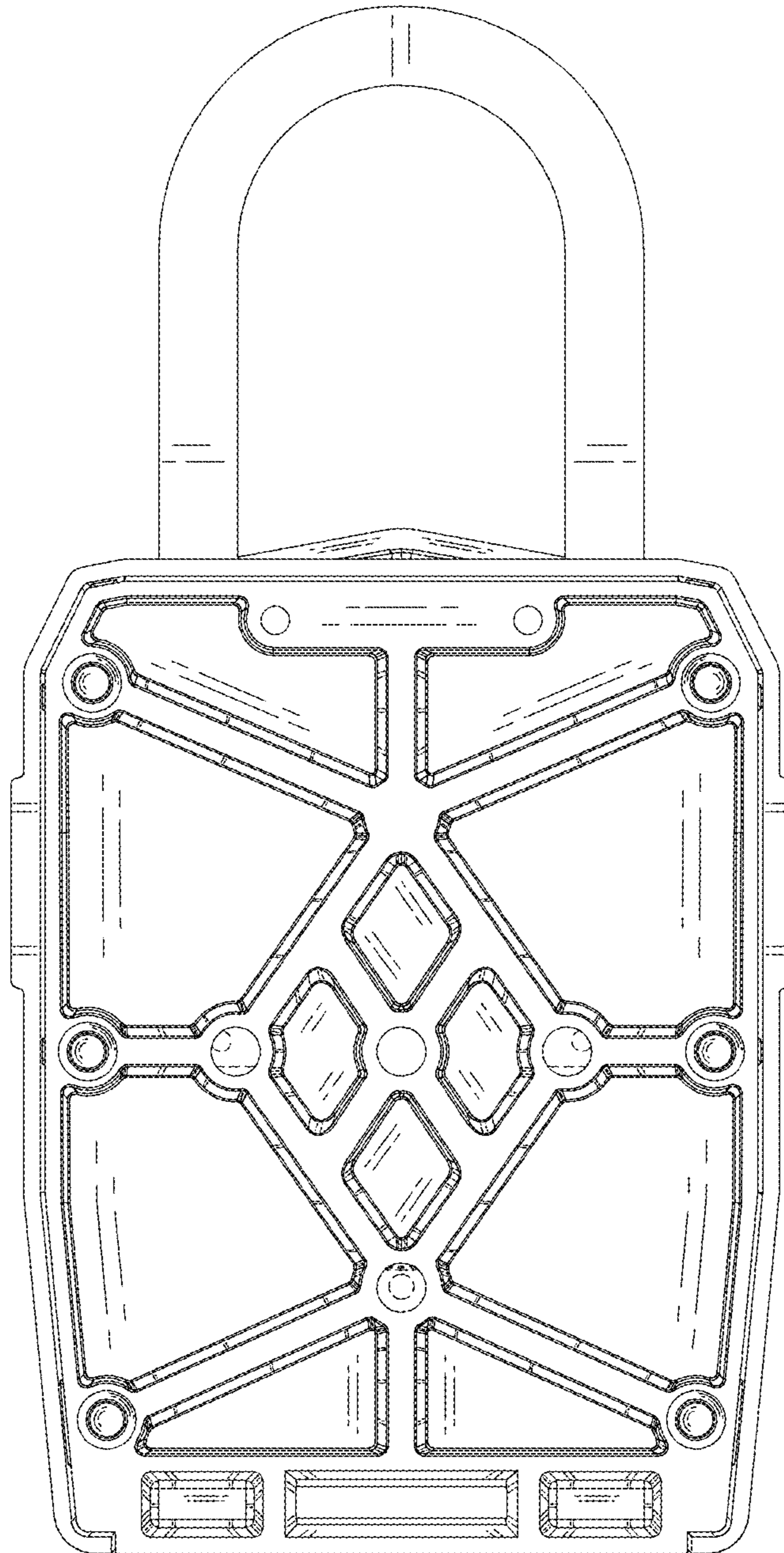


FIG.3

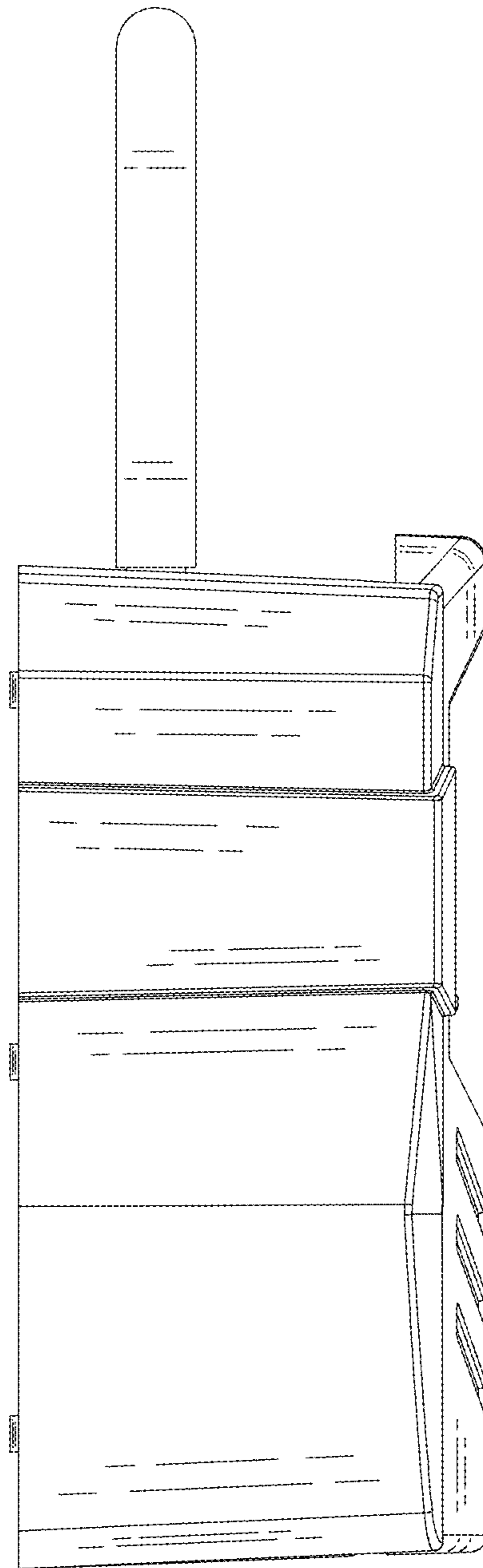


FIG.4

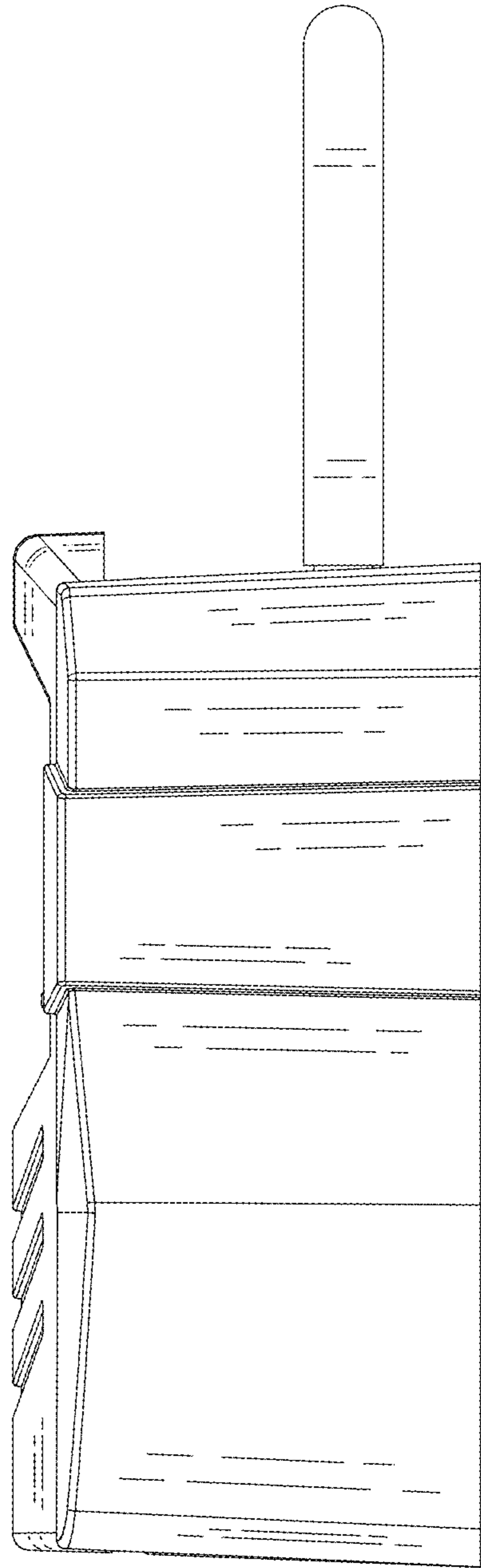


FIG.5

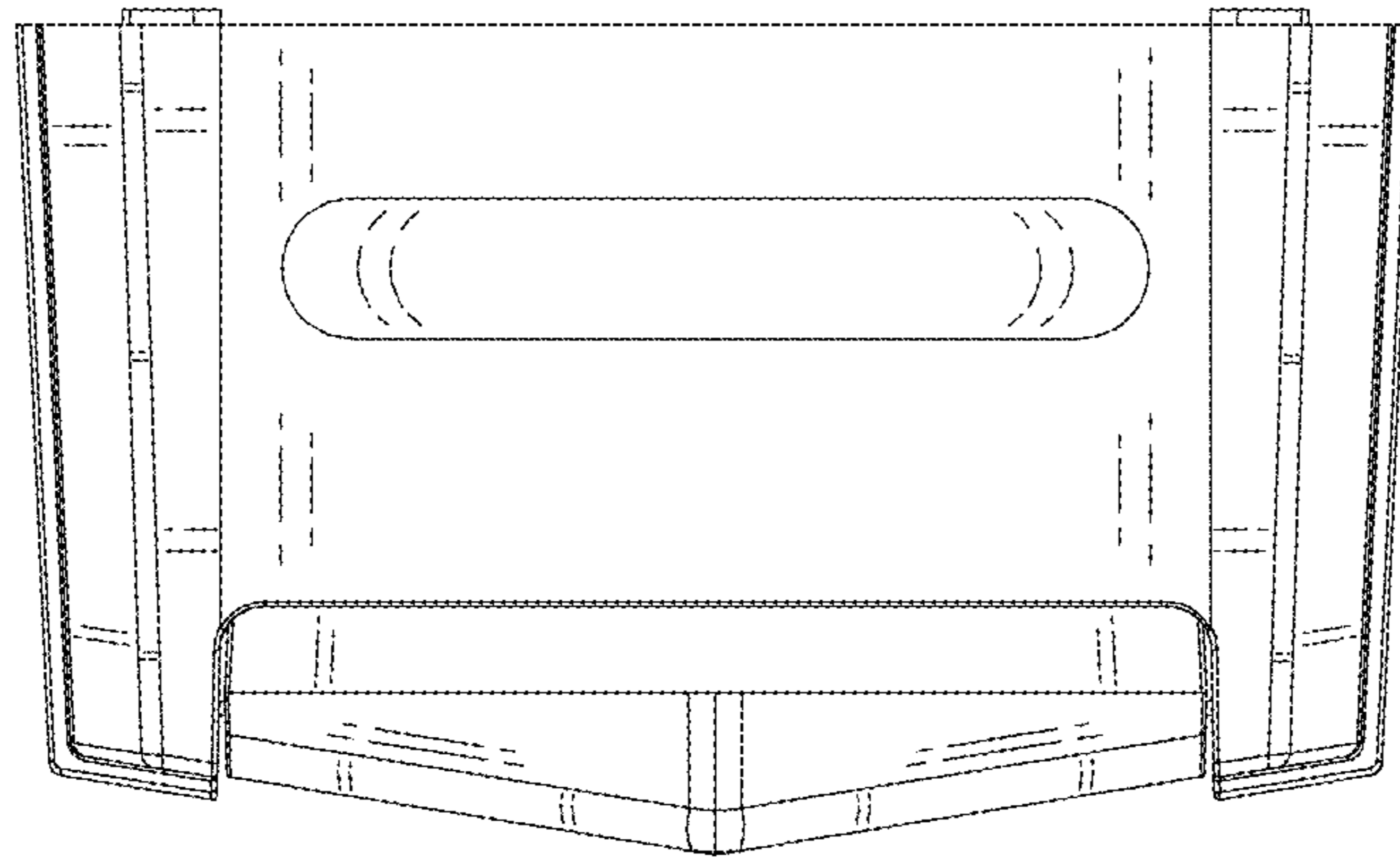


FIG.6

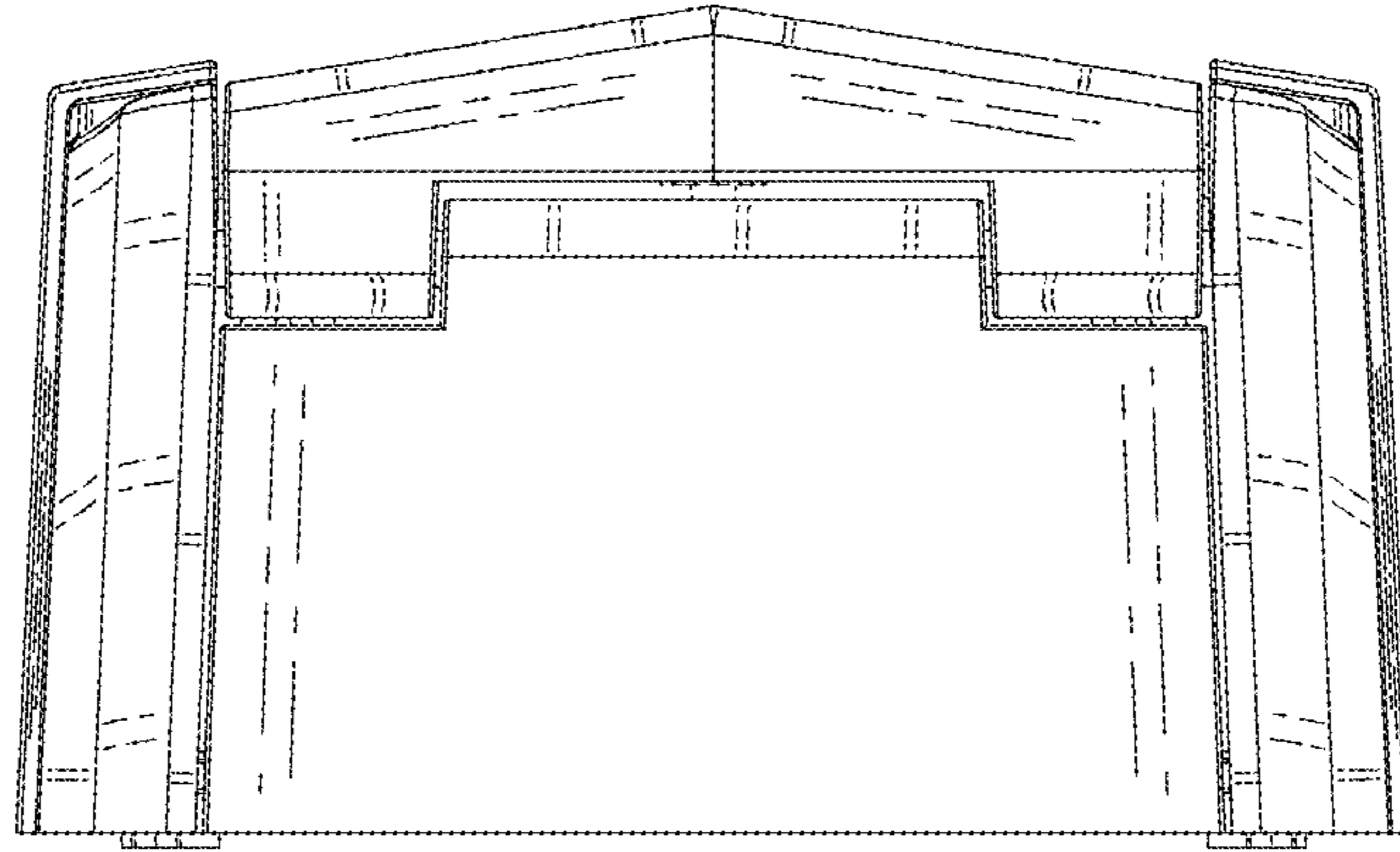


FIG.7

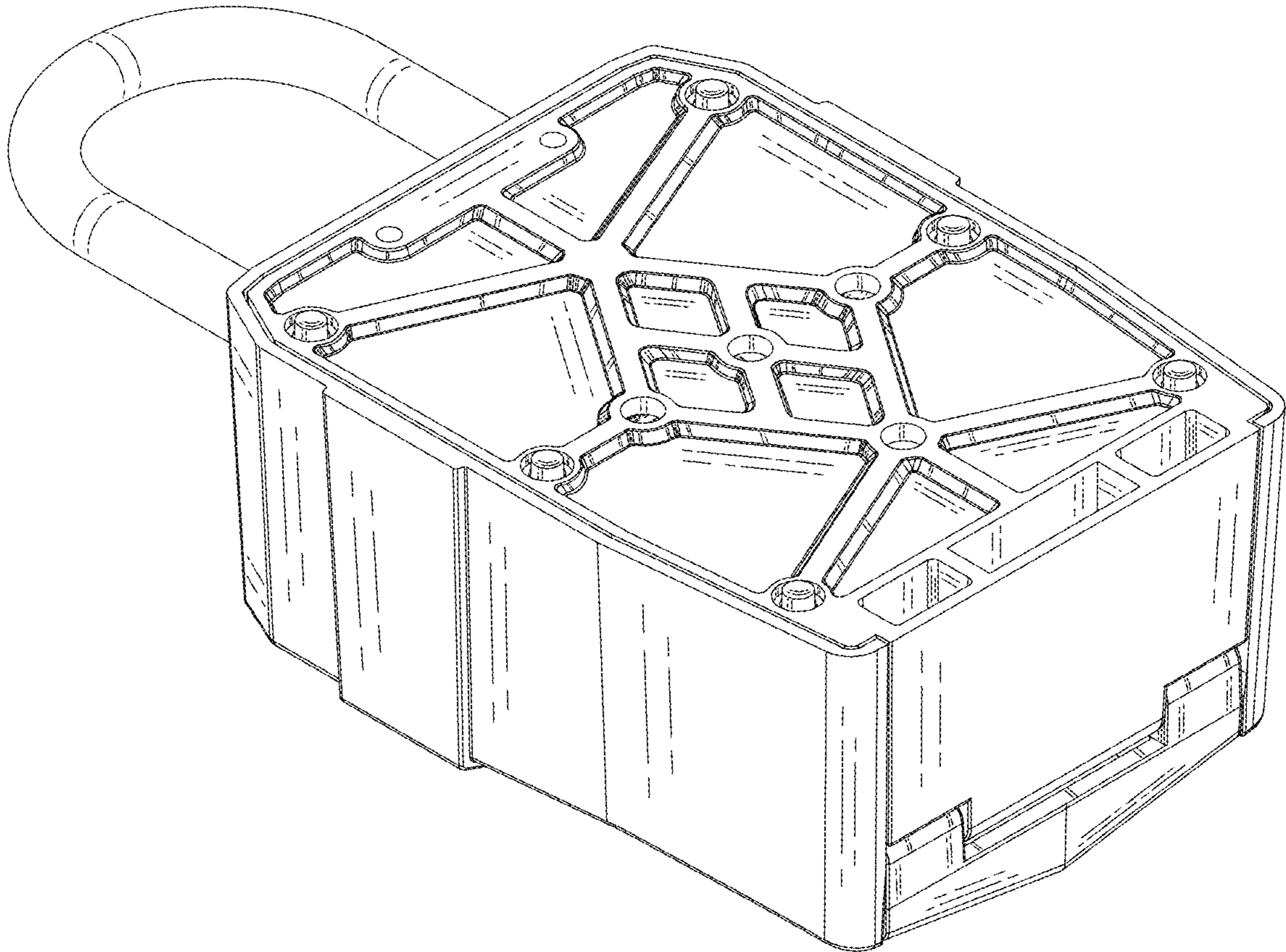


FIG.8