

US00D979175S

(12) **United States Design Patent**
Wang

(10) **Patent No.:** **US D979,175 S**
(45) **Date of Patent:** **** Feb. 21, 2023**

(54) **KEY SAFE**
(71) Applicant: **Beijing Landwell Electron Technology Co., Ltd, Beijing (CN)**
(72) Inventor: **Bing Wang, Beijing (CN)**
(73) Assignee: **Beijing Landwell Electron Technology Co., Ltd, Beijing (CN)**
(**) Term: **15 Years**

D165,385 S * 12/1951 Maage, Jr. D99/36
D169,773 S * 6/1953 Maage, Jr. D99/36
D247,728 S * 4/1978 Nichols D6/559
5,769,006 A * 6/1998 Allaer E05G 1/00
109/51
D474,596 S * 5/2003 Osiecki D3/273
D517,269 S * 3/2006 Walker D99/28
D624,275 S * 9/2010 Min D99/28
D635,324 S * 3/2011 Plato D99/28
D688,024 S * 8/2013 Metlen D99/28
D772,522 S * 11/2016 Henderson D99/28

(Continued)

(21) Appl. No.: **29/771,522**
(22) Filed: **Feb. 23, 2021**
(51) **LOC (14) Cl.** **99-00**
(52) **U.S. Cl.**
USPC **D99/28**
(58) **Field of Classification Search**
USPC D99/28, 34, 35, 36, 37, 43, 99; D3/901,
D3/902, 903, 904, 905, 201, 272, 273;
D18/3.1, 3.3, 12.1
CPC A45C 1/12; A45C 2001/125; A45C
2001/102; A45C 2001/104; A45C
2001/006; A45C 2001/003; A45C
2001/105; A45C 2001/107; E05G 1/00;
E05G 1/005; E05G 1/024; E05G 1/026;
E05G 5/00; E05G 7/00; E05G 7/001;
E05G 2700/00; E05G 2700/02; B63C
7/30; G07D 9/00; G07D 9/002; G07D
9/004; G07D 9/006; G07D 9/008; G07D
9/02; G07D 9/04; G07D 9/06; G07D
9/065; G07D 11/00; G07D 11/0021;
G07D 13/00; G07D 2201/00; G07D
2211/00; G07F 9/06; G07F 9/08
See application file for complete search history.

OTHER PUBLICATIONS

Key Cabinet: Wall Mount, 50 Key Capacity (Units), Key Hooks,
https://www.grainger.com/product/53JF48?gucid=N:N:PS:Paid:G-GL:CSM-2295:4P7A1P:20501231&gclid=EA1alQobChMlqvWznduS-wlVBvrlCh1MQQodEAQYASABEgJkafD_BwE&gclsrc=aw.ds,2022.
(Year: 2022).*

(Continued)

Primary Examiner — Elizabeth J Oswecki

(57) **CLAIM**

The ornamental design for a key safe, as shown and described.

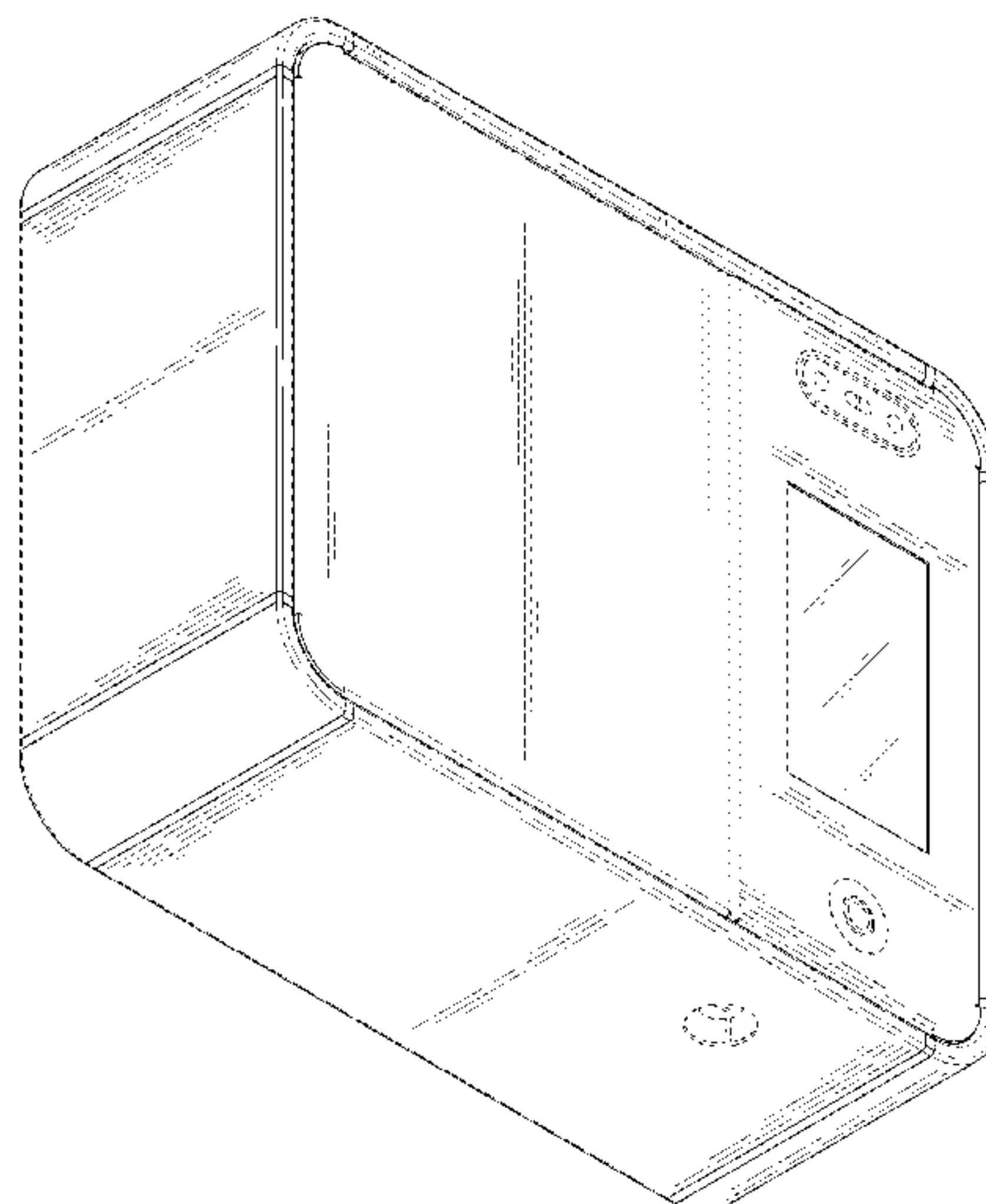
DESCRIPTION

FIG. 1 is a bottom, front and left side perspective view of a key safe showing my new design;
FIG. 2 is a front elevational view thereof;
FIG. 3 is a rear elevational view thereof;
FIG. 4 is a left side elevational view thereof;
FIG. 5 is a right side elevational view thereof;
FIG. 6 is a top plan view thereof; and,
FIG. 7 is a bottom plan view thereof.
The broken lines in the drawings illustrate portions of the key safe which form no part of the claimed design.
The oblique shade lines in the drawings represent reflective surfaces.

(56) **References Cited**
U.S. PATENT DOCUMENTS

D129,939 S * 10/1941 Kodama D99/36
D155,798 S * 11/1949 Gaulke D99/36
2,532,857 A * 12/1950 Ricciardi B65D 25/54
229/162.1

1 Claim, 7 Drawing Sheets



(56)

References Cited

U.S. PATENT DOCUMENTS

10,253,529 B1 * 4/2019 McGinn E05B 35/00
D871,712 S * 12/2019 Lawrence D99/28
D876,044 S * 2/2020 Sisco E05G 1/06
D99/28
D948,866 S * 4/2022 Wilkins D3/273

OTHER PUBLICATIONS

Emergency Lock Box: Surface, Single Key, 3 Key Capacity, Steel,
https://www.grainger.com/product/2NEU2?gucid=N:N:PS:Paid:G-GL:CSM-2295:4P7A1P:20501231&gclid=EA1alQobChMlqvWznduS-wlVBvrlChlMQQodEAQYCSABEglflvD_BwE&gclsrc=aw.ds, 2022.
(Year: 2022).*

* cited by examiner

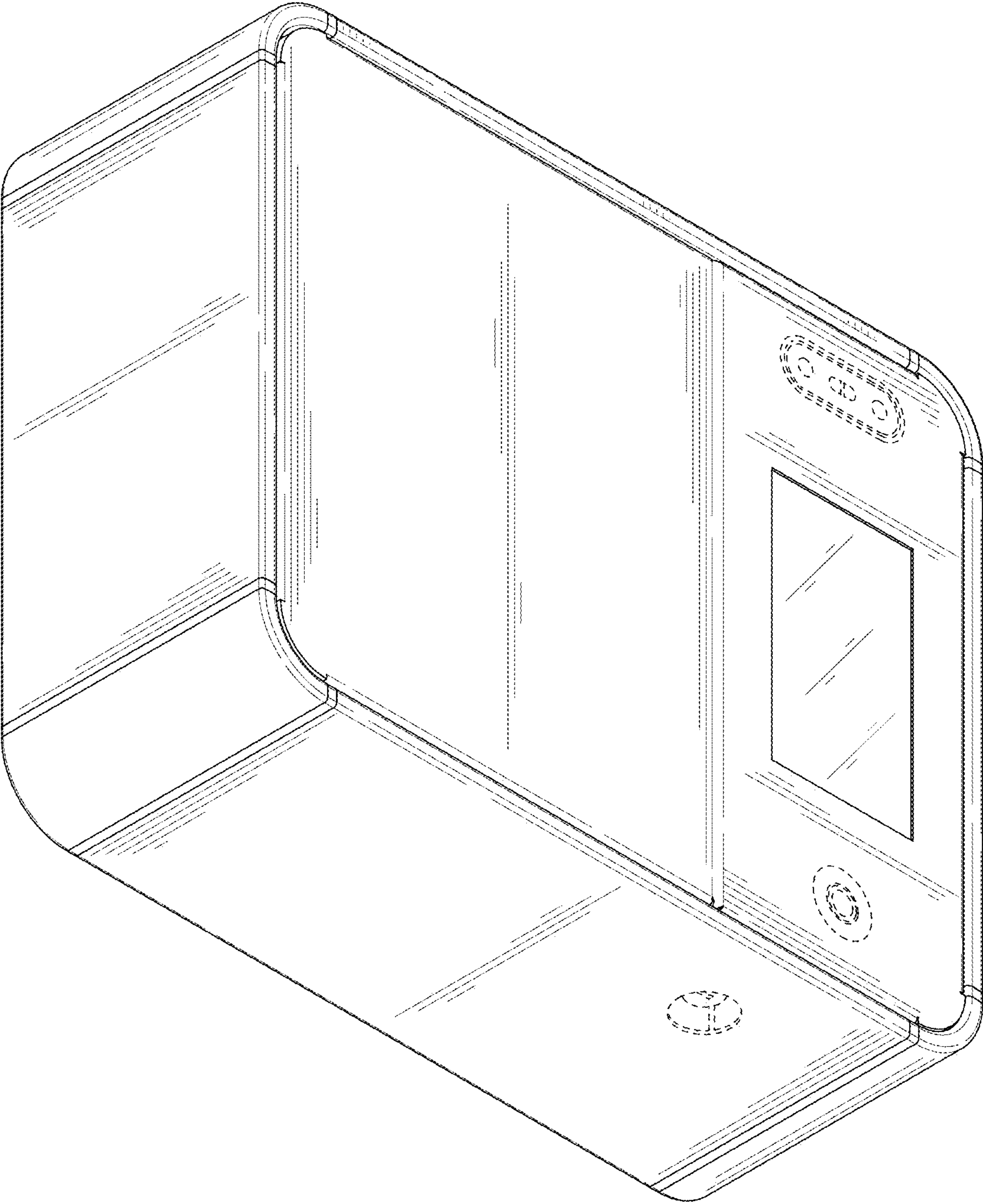


FIG. 1

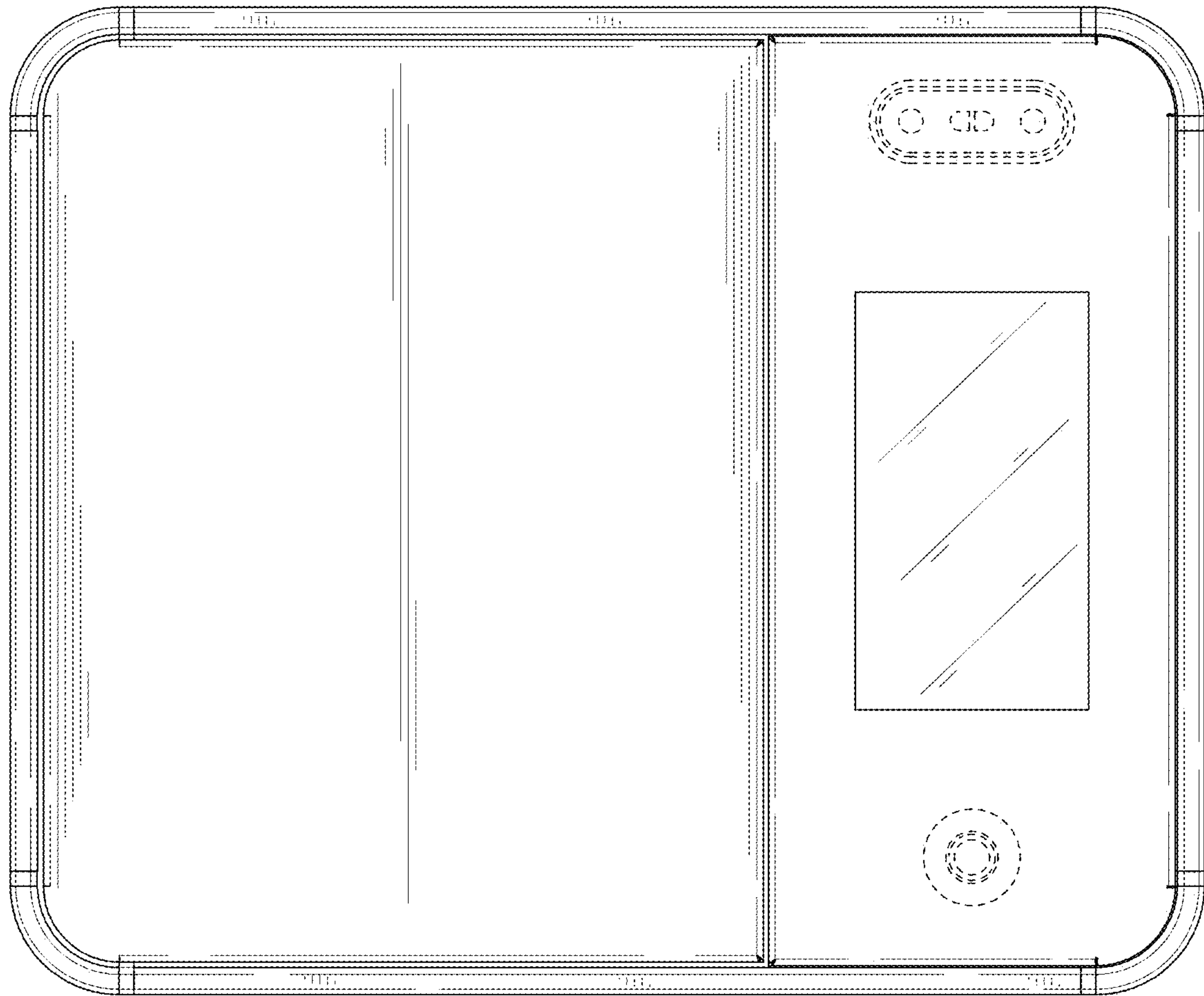


FIG. 2

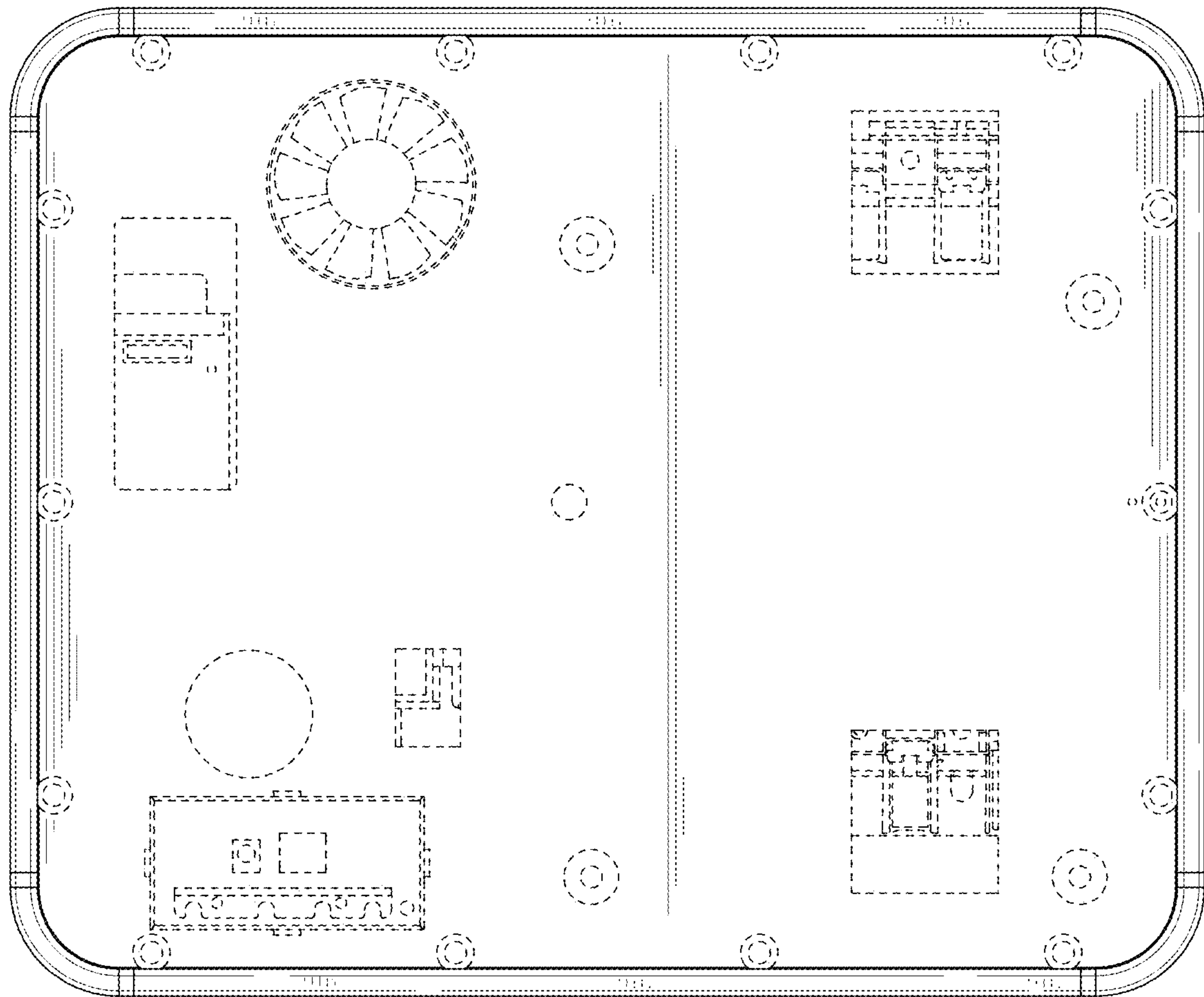


FIG. 3

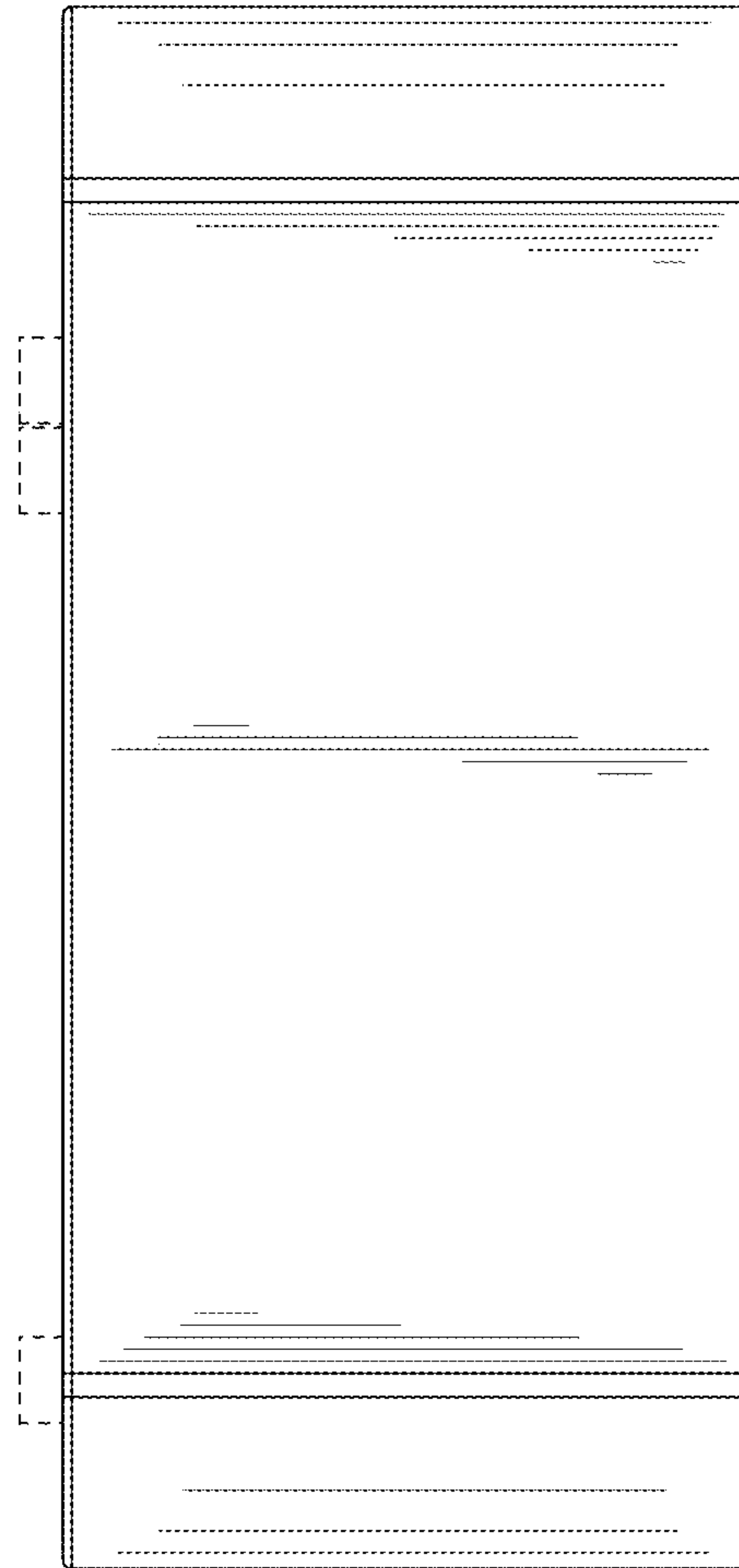


FIG. 4

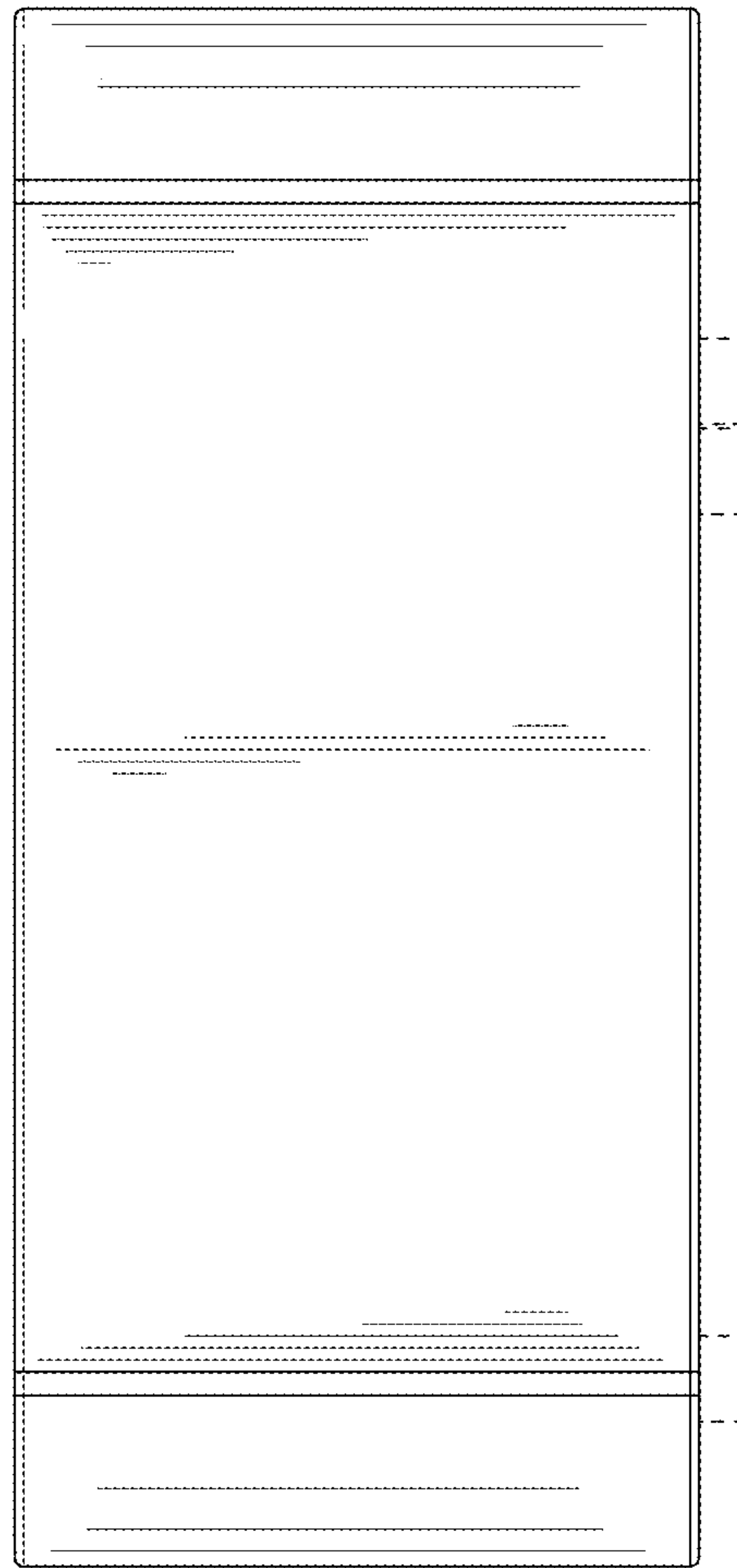


FIG. 5

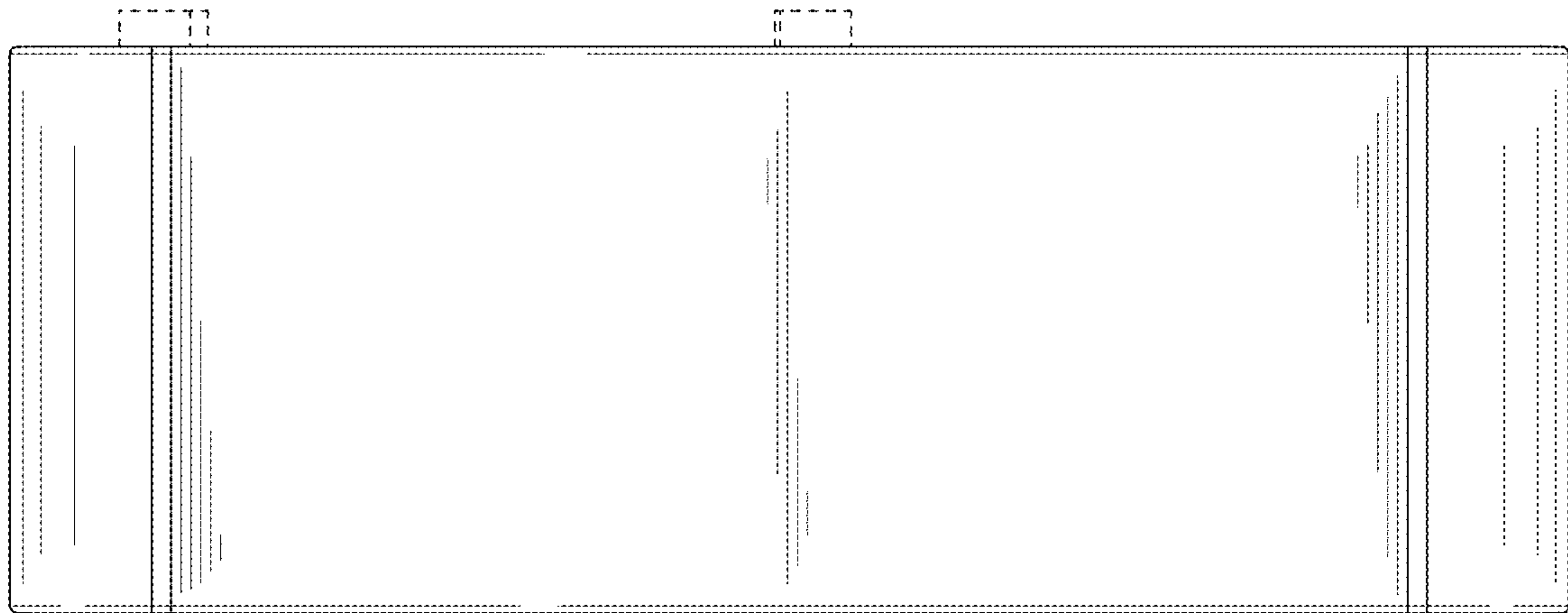


FIG. 6

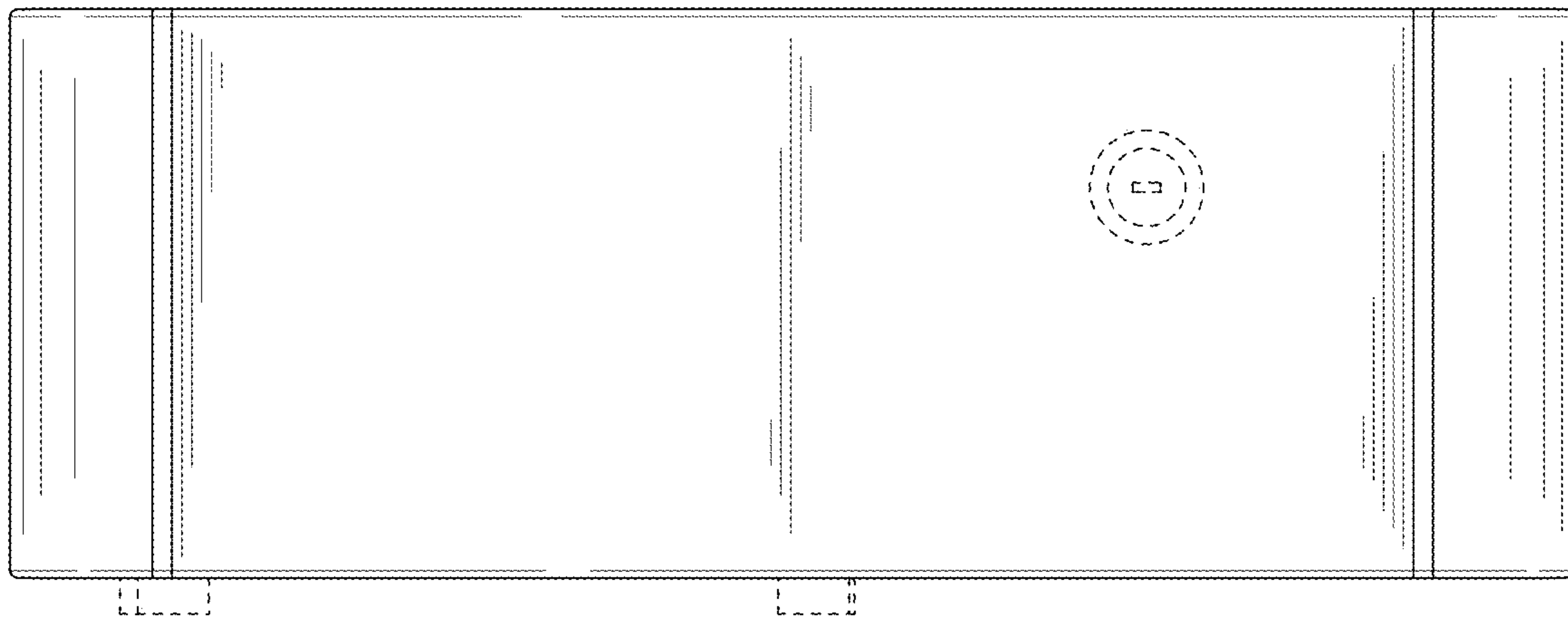


FIG. 7