



US00D979173S

(12) **United States Design Patent**
Harvell

(10) **Patent No.:** **US D979,173 S**

(45) **Date of Patent:** **** *Feb. 21, 2023**

(54) **FLOOR JACK**

(71) Applicant: **VIS, LLC**, Travelers Rest, SC (US)

(72) Inventor: **Nathan Harvell**, Taylors, SC (US)

(73) Assignee: **VIS, LLC**, Travelers Rest, SC (US)

(*) Notice: This patent is subject to a terminal disclaimer.

(**) Term: **15 Years**

(21) Appl. No.: **29/727,660**

(22) Filed: **Mar. 12, 2020**

(51) **LOC (14) Cl.** **12-05**

(52) **U.S. Cl.**
USPC **D34/31**

(58) **Field of Classification Search**
USPC D34/31
CPC B66F 5/04; B66F 3/42; B66F 7/04; B66F 7/0658; B66F 7/08; B66F 7/085
See application file for complete search history.

(56) **References Cited**

U.S. PATENT DOCUMENTS

D421,516 S *	3/2000	Hung	D34/31
D453,983 S *	2/2002	Lin	D34/31
D590,121 S *	4/2009	Shen	D34/31
D688,845 S *	8/2013	Hernandez	D34/31
D720,514 S *	12/2014	Fox	D34/31
D730,612 S *	5/2015	James	D34/31
D764,736 S *	8/2016	Fox	D34/31
D776,897 S *	1/2017	Fox	D34/31
D799,142 S *	10/2017	Fox	D34/31
D835,378 S *	12/2018	Huang	D34/31
D855,922 S *	8/2019	Fox	D34/31
D863,712 S *	10/2019	Weixiang	D34/31

D900,425 S *	10/2020	Youngblutt	D34/31
D906,622 S *	12/2020	Zhengyang	D34/31
D907,879 S *	1/2021	Youngblutt	D34/31
11,008,200 B2 *	5/2021	Fox	B66F 5/04
2008/0083913 A1 *	4/2008	Fang	B66F 5/04 254/8 B
2013/0153839 A1 *	6/2013	Shen	B66F 5/04 254/2 B
2014/0326934 A1 *	11/2014	Zhou	B66F 5/04 254/2 B
2015/0137052 A1 *	5/2015	DeKeuster	B66F 5/00 254/133 R

* cited by examiner

Primary Examiner — Cynthia Ramirez

(74) *Attorney, Agent, or Firm* — Thrive IP

(57) **CLAIM**

The ornamental design for a floor jack, as shown and described.

DESCRIPTION

FIG. 1 is a left side perspective view of the floor jack as shown in FIG. 1;

FIG. 2 is a front view of the floor jack as shown in FIG. 1;

FIG. 3 is a rear view of the floor jack as shown in FIG. 1;

FIG. 4 is a right side view of the floor jack as shown in FIG. 1;

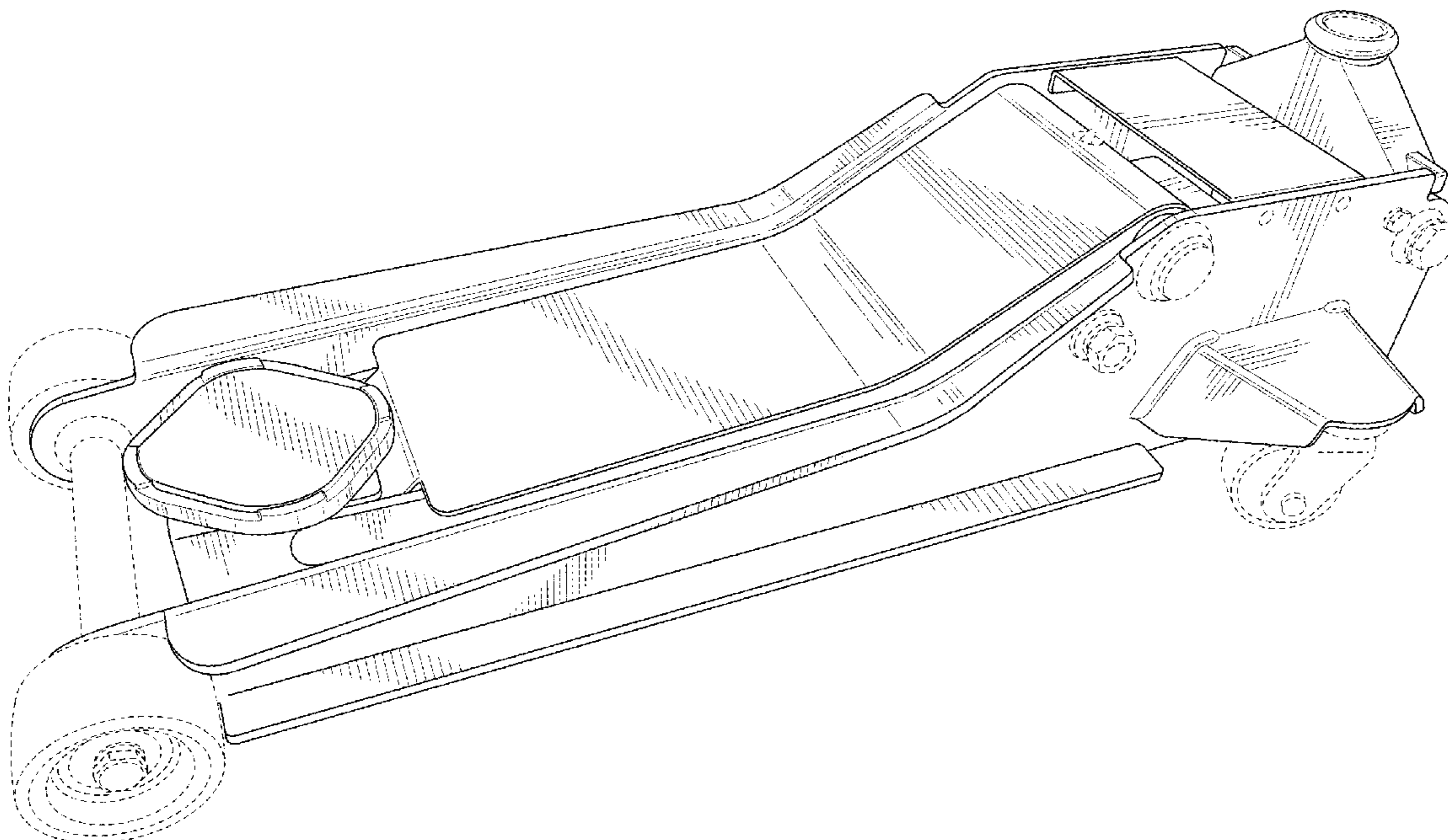
FIG. 5 is a left side view of the floor jack as shown in FIG. 1;

FIG. 6 is a top view of the floor jack as shown in FIG. 1; and,

FIG. 7 is a bottom view of the floor jack as shown in FIG. 1.

The broken lines shown in FIGS. 1 through 7 are for the purpose of illustrating portions of the floor jack which form no part of the claim design.

1 Claim, 6 Drawing Sheets



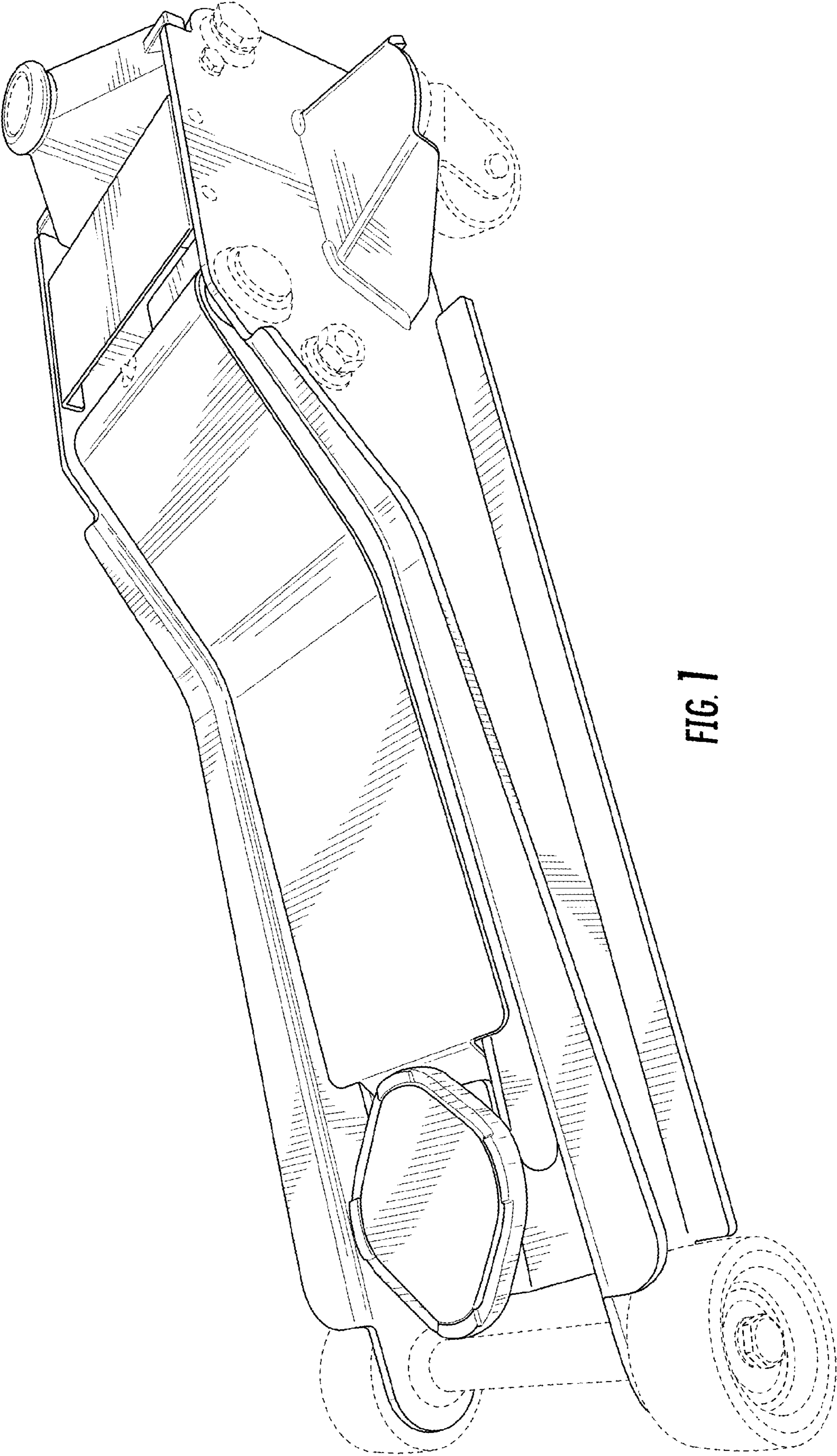


FIG. 1

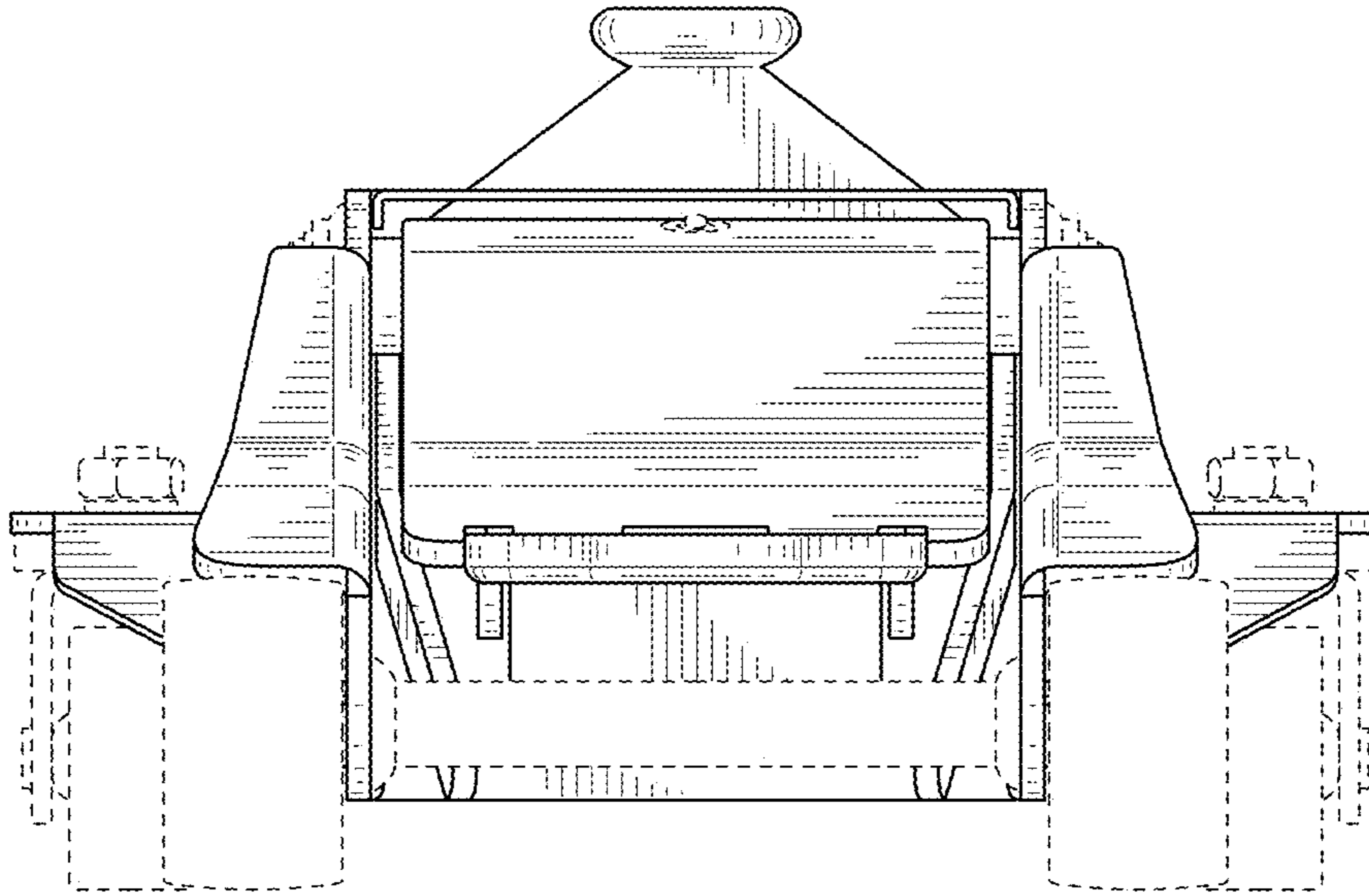


FIG. 2

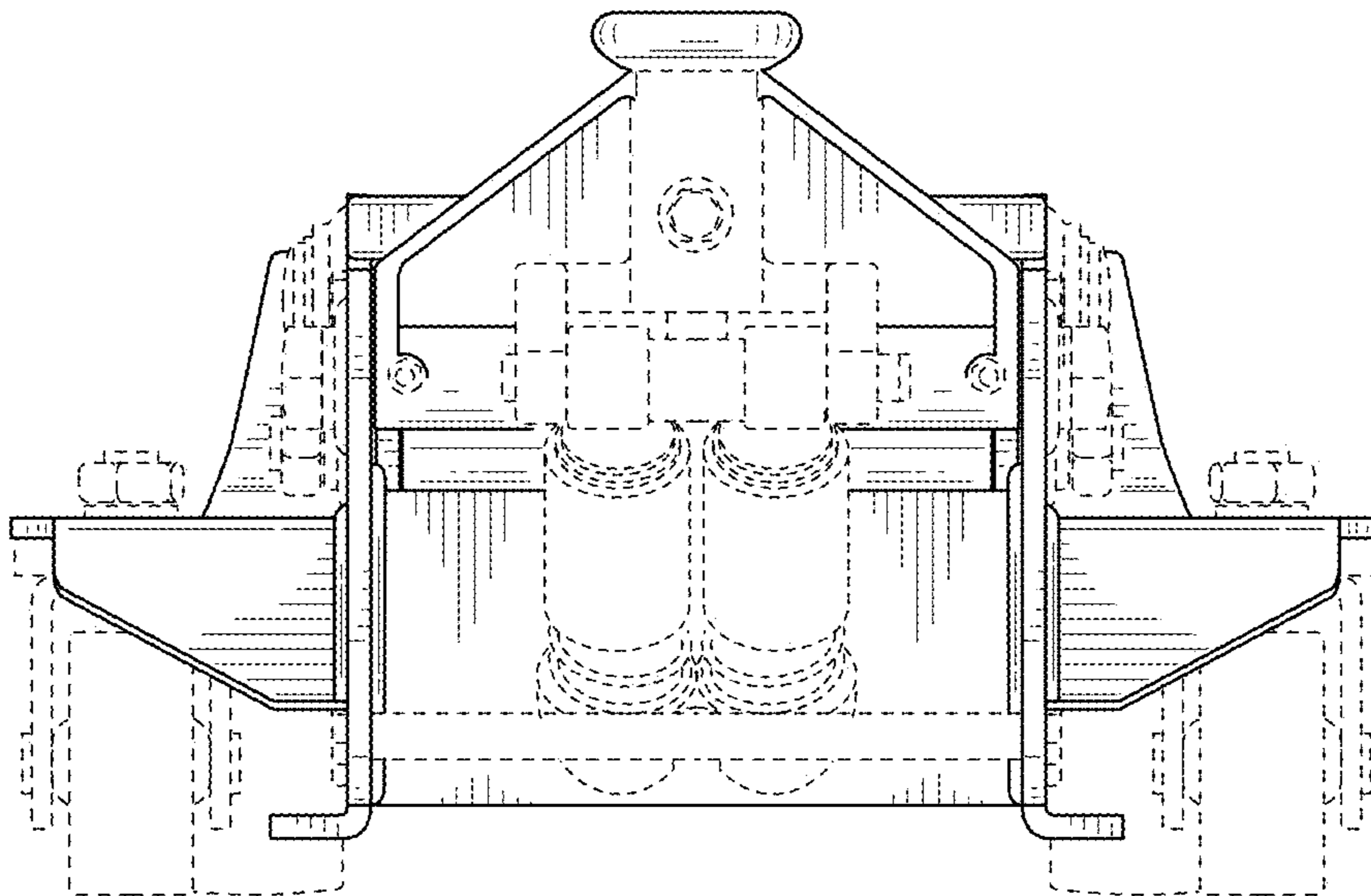


FIG. 3

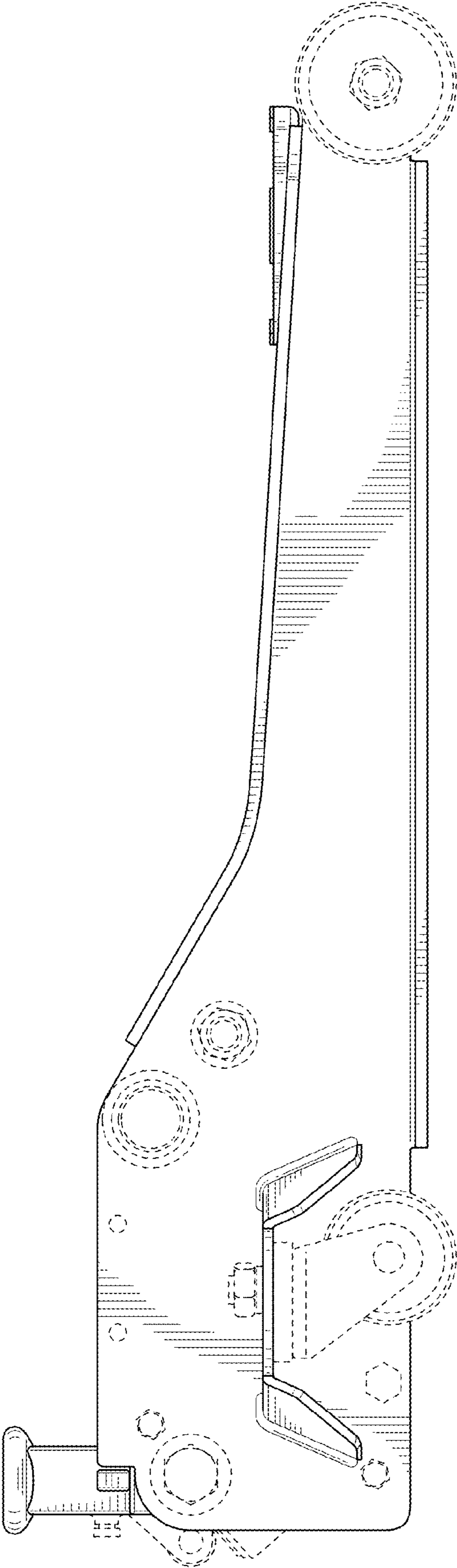


FIG. 4

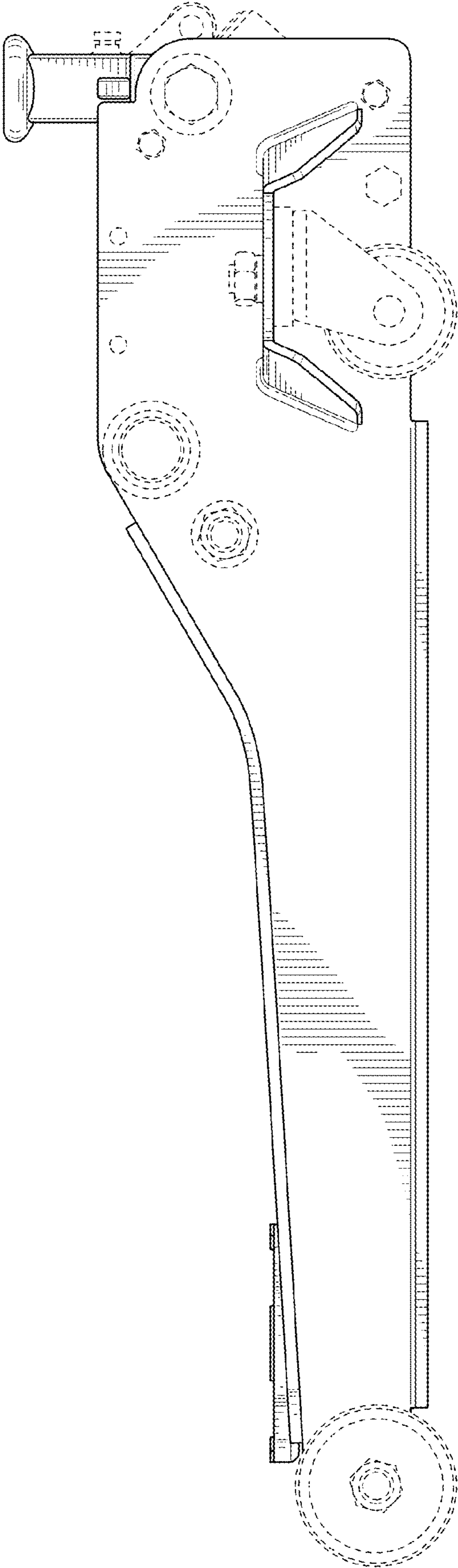


FIG. 5

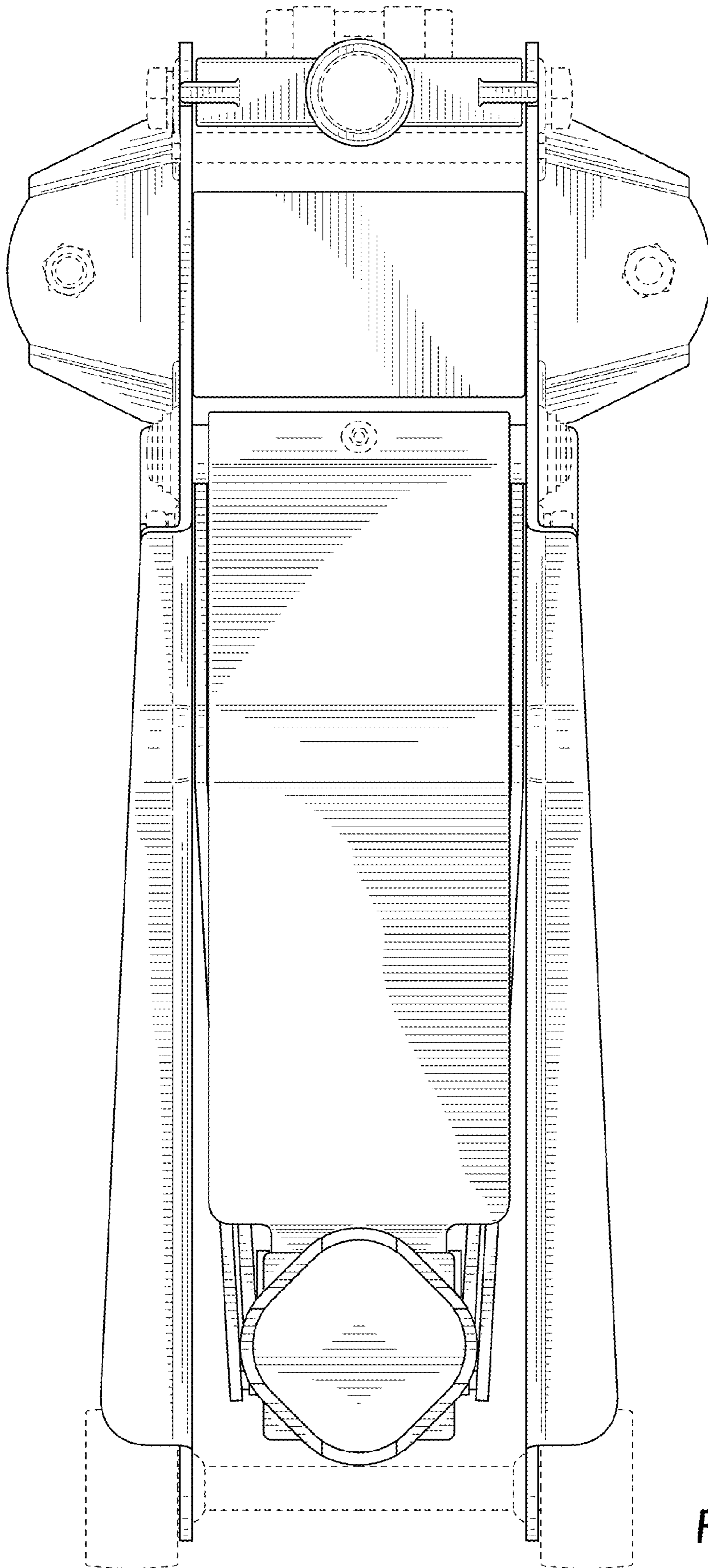


FIG. 6

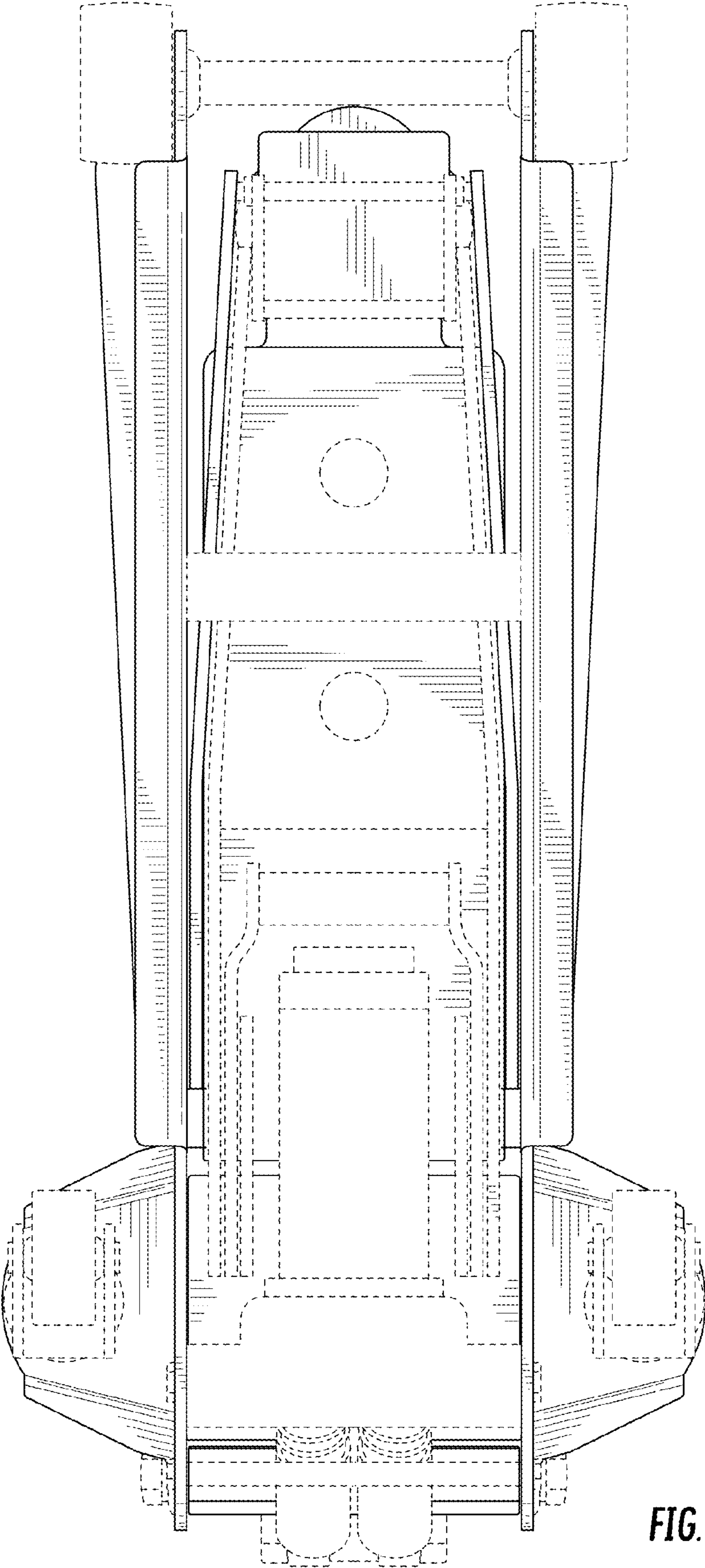


FIG. 7