



US00D979167S

(12) **United States Design Patent**  
**Liao et al.**

(10) **Patent No.:** **US D979,167 S**

(45) **Date of Patent:** **\*\* Feb. 21, 2023**

(54) **DUSTBIN**

(71) Applicant: **Jiangmen Jinlong High Technology Industrial Co., Ltd., Guangdong (CN)**

(72) Inventors: **Jinsheng Liao, Guangdong (CN); Weitang Lu, Guangdong (CN)**

(73) Assignee: **Jiangmen Jinlong High Technology Industrial Co., Ltd., Guangdong (CN)**

(\*\*) Term: **15 Years**

(21) Appl. No.: **29/784,613**

(22) Filed: **May 20, 2021**

(30) **Foreign Application Priority Data**

Apr. 14, 2021 (CN) ..... 202130208627.7

(51) **LOC (14) Cl.** ..... **09-09**

(52) **U.S. Cl.**  
USPC ..... **D34/7**

(58) **Field of Classification Search**  
USPC ..... D34/1-11  
CPC ..... B65F 1/00; B65F 1/163; B65F 1/1638;  
B65F 1/0033; B65F 2001/1489; Y10S  
220/908

See application file for complete search history.

(56) **References Cited**

**U.S. PATENT DOCUMENTS**

D435,951 S \* 1/2001 Yang ..... D34/9  
D525,756 S \* 7/2006 Yang ..... D34/9  
D528,726 S \* 9/2006 Lin ..... D34/9  
8,569,980 B2 \* 10/2013 Yang ..... B65F 1/1638  
318/264  
D716,015 S \* 10/2014 van de Leest ..... D34/9  
D725,861 S \* 3/2015 Yang ..... D34/7  
D798,016 S \* 9/2017 Yang ..... D34/9  
D830,029 S \* 10/2018 Greenspon ..... D34/9

D882,903 S \* 4/2020 Chen ..... D34/9  
D929,062 S \* 8/2021 Chen ..... D34/9  
2009/0194532 A1 \* 8/2009 Yang ..... B65F 1/1638  
220/211  
2017/0096299 A1 \* 4/2017 Yang ..... G01J 1/4204

**FOREIGN PATENT DOCUMENTS**

IN 286554-0001 \* 4/2016

**OTHER PUBLICATIONS**

Simple human, announced 2022 [online], [site visited Oct. 31, 2022]. Avail from int, URL: <https://www.perigold.com/simplehuman-simplehuman-45-Liter-12-Gallon-SemiRound-Automatic-Motion-Sensor-Trash-Can-Brushed-Stainless-Steel-ST2012-ST2009-L500-K-SHN1285.html> (Year: 2022).\*

(Continued)

*Primary Examiner* — Cynthia Ramirez

*Assistant Examiner* — Tamara L Hahn

(74) *Attorney, Agent, or Firm* — Chernoff, Vilhauer, McClung & Stenzel, LLP

(57) **CLAIM**

The ornamental design for a dustbin, as shown and described.

**DESCRIPTION**

FIG. 1 is a front perspective view of a dustbin of the present disclosure;

FIG. 2 is a rear perspective view thereof;

FIG. 3 is a front elevational view thereof;

FIG. 4 is a rear elevational view thereof;

FIG. 5 is a left-side elevational thereof;

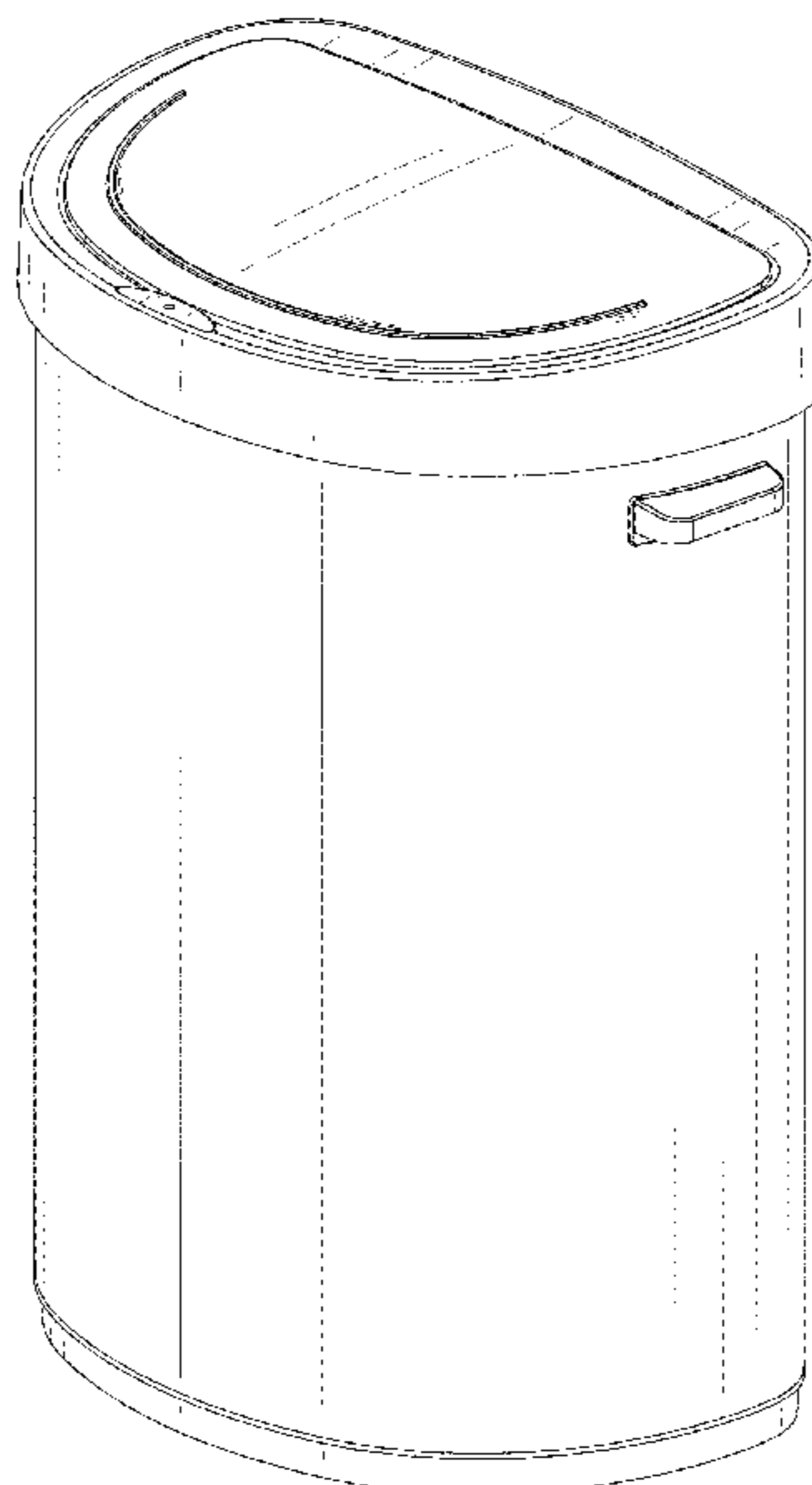
FIG. 6 is a right-side elevational thereof;

FIG. 7 is a top plan view thereof; and,

FIG. 8 is a bottom plan view thereof.

The broken lines shown in the drawings represent portions of the dustbin and form no part of the claimed design.

**1 Claim, 8 Drawing Sheets**



(56)

**References Cited**

OTHER PUBLICATIONS

Mainstays, announced 2019 [online], [site visited Oct. 31, 2022]. Avail from int, URL: <https://www.walmart.com/ip/Mainstays-13-2-gal-50-L-Motion-Sensor-Kitchen-Garbage-Can-White-Stainless-Steel/300578963> (Year: 2019).\*

Best office, announced 2016 [online], [site visited Oct. 31, 2022]. Avail from int, URL: [https://www.amazon.com/Can-Gallon-Automatic-Garbage-High-Capacity/dp/B018LNFQWE/ref=sr\\_1\\_58\\_sspa](https://www.amazon.com/Can-Gallon-Automatic-Garbage-High-Capacity/dp/B018LNFQWE/ref=sr_1_58_sspa) (Year: 2016).\*

Innovaze, announced Oct. 2022 [online], [site visited Oct. 31, 2022]. Avail from int, URL: [https://www.amazon.com/dp/B0BK4PBW8C/ref=sspa\\_dk\\_detail\\_4](https://www.amazon.com/dp/B0BK4PBW8C/ref=sspa_dk_detail_4) (Year: 2022).\*

\* cited by examiner

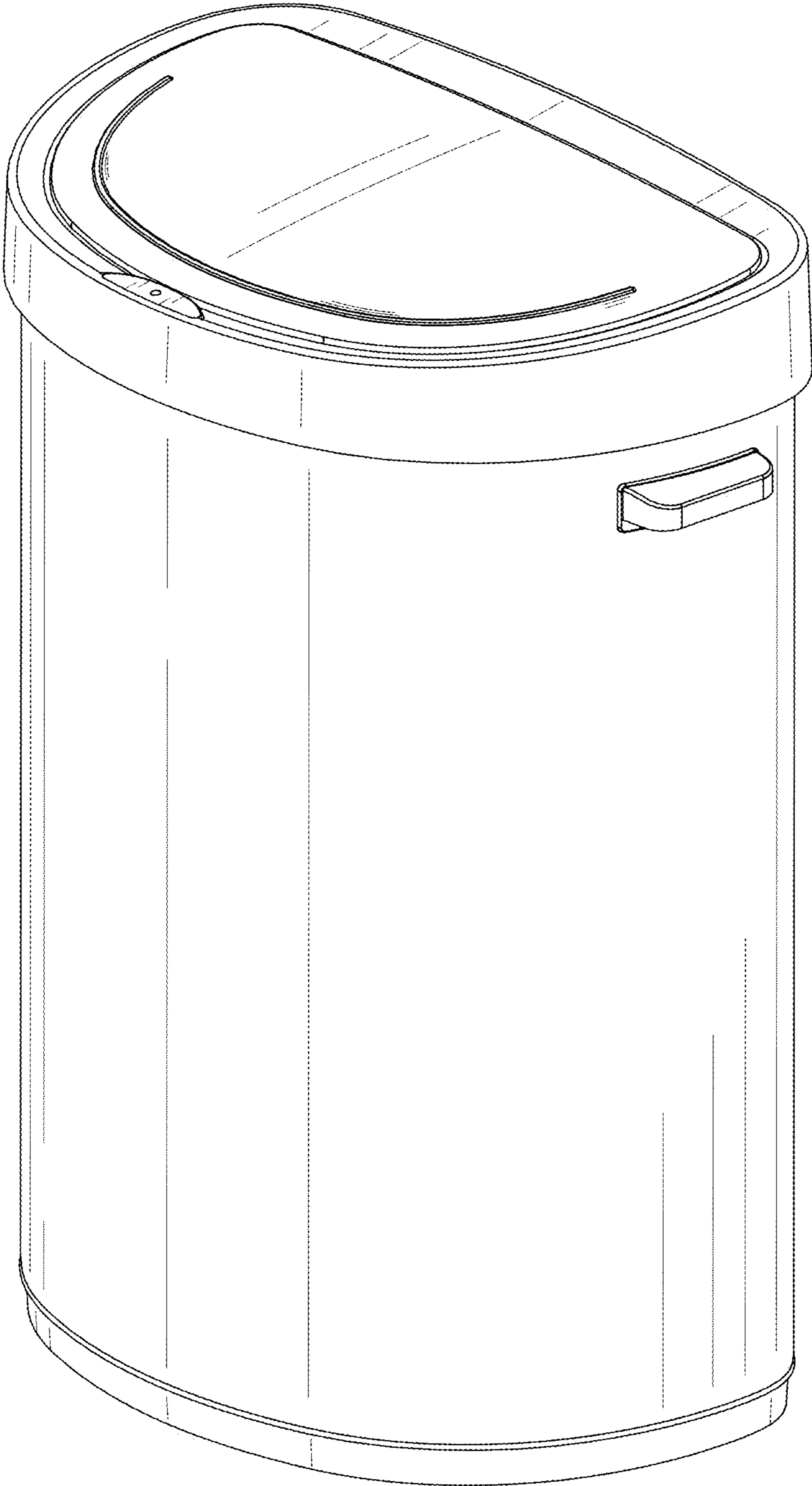


FIG. 1

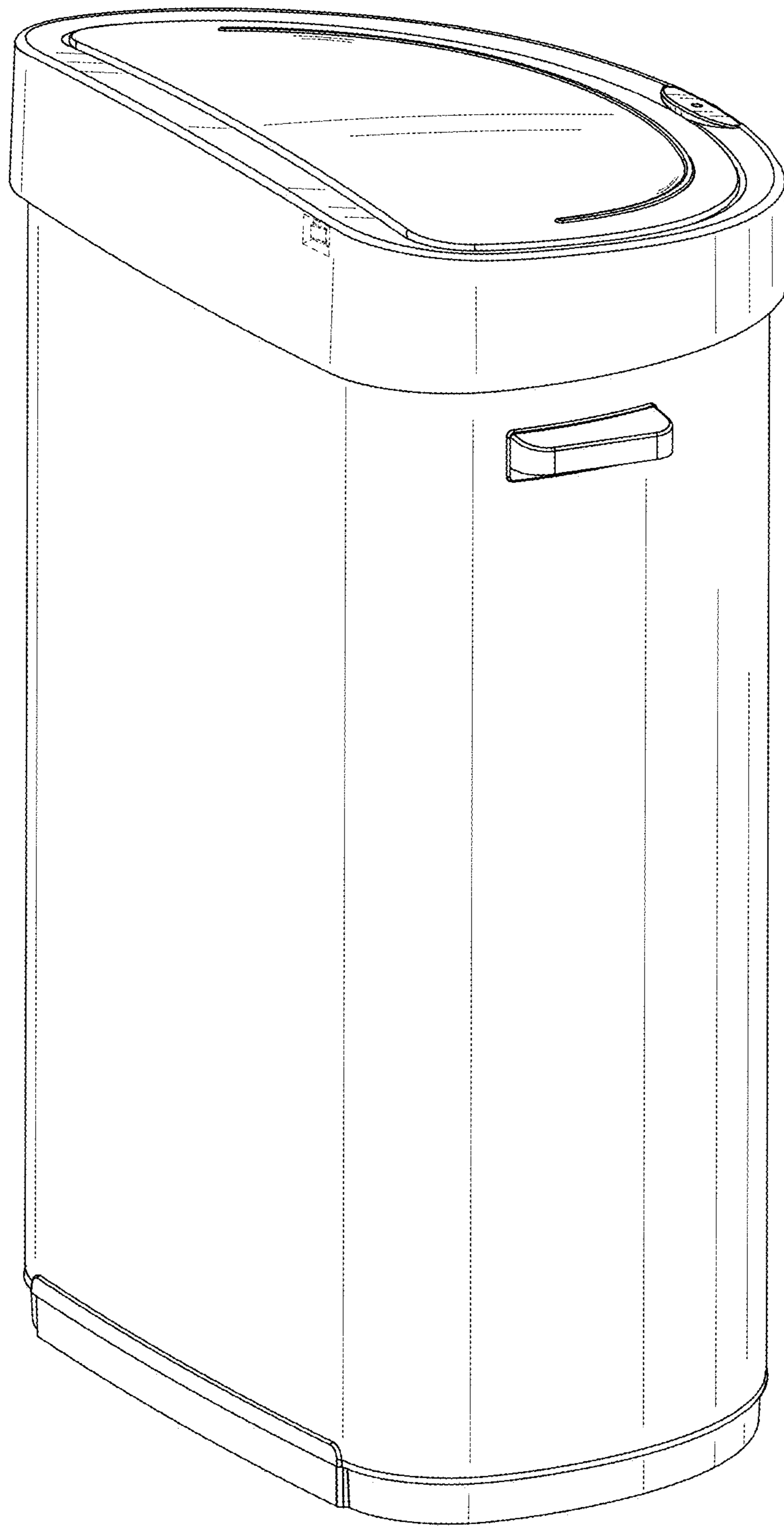


FIG. 2

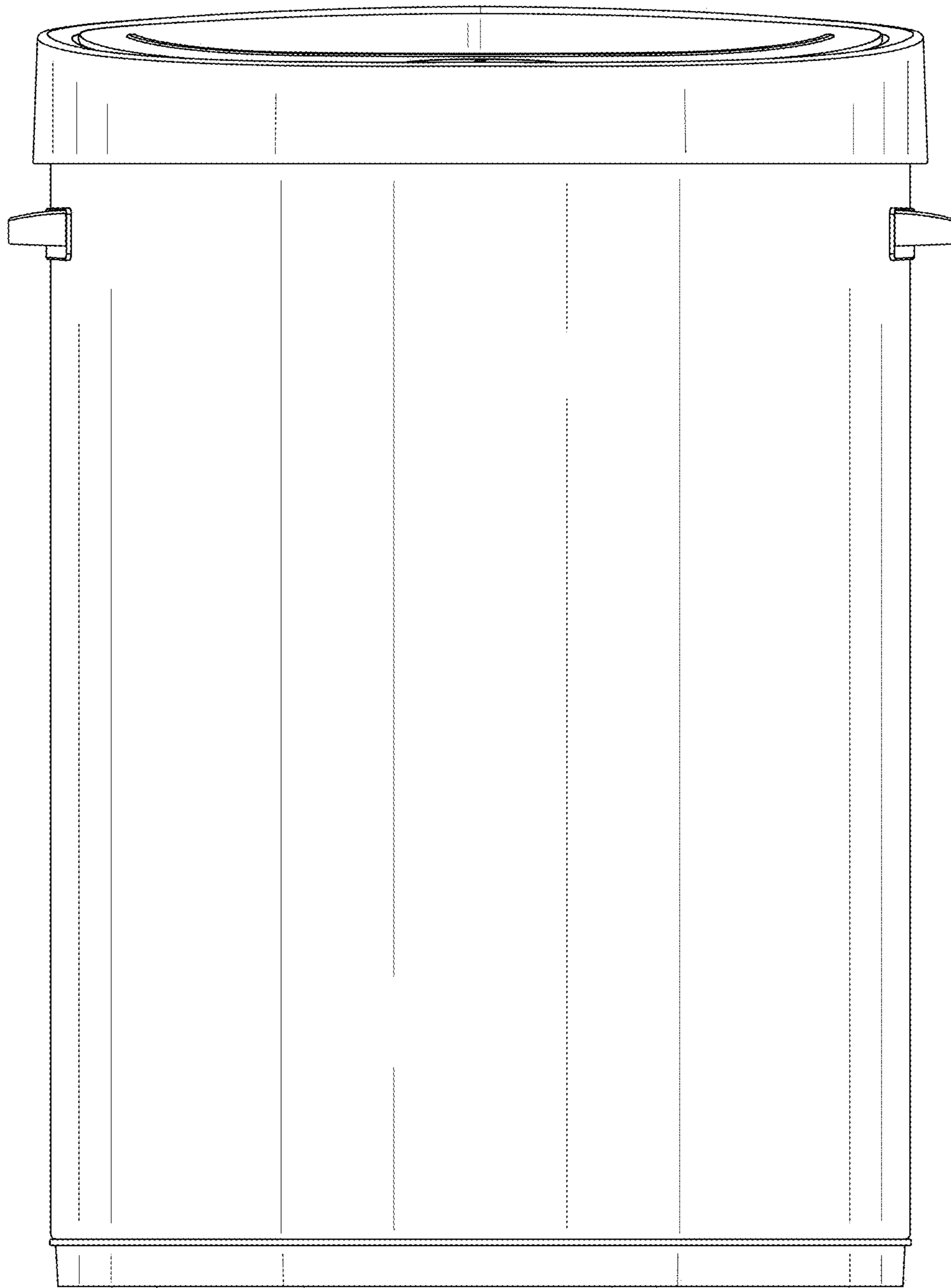


FIG. 3

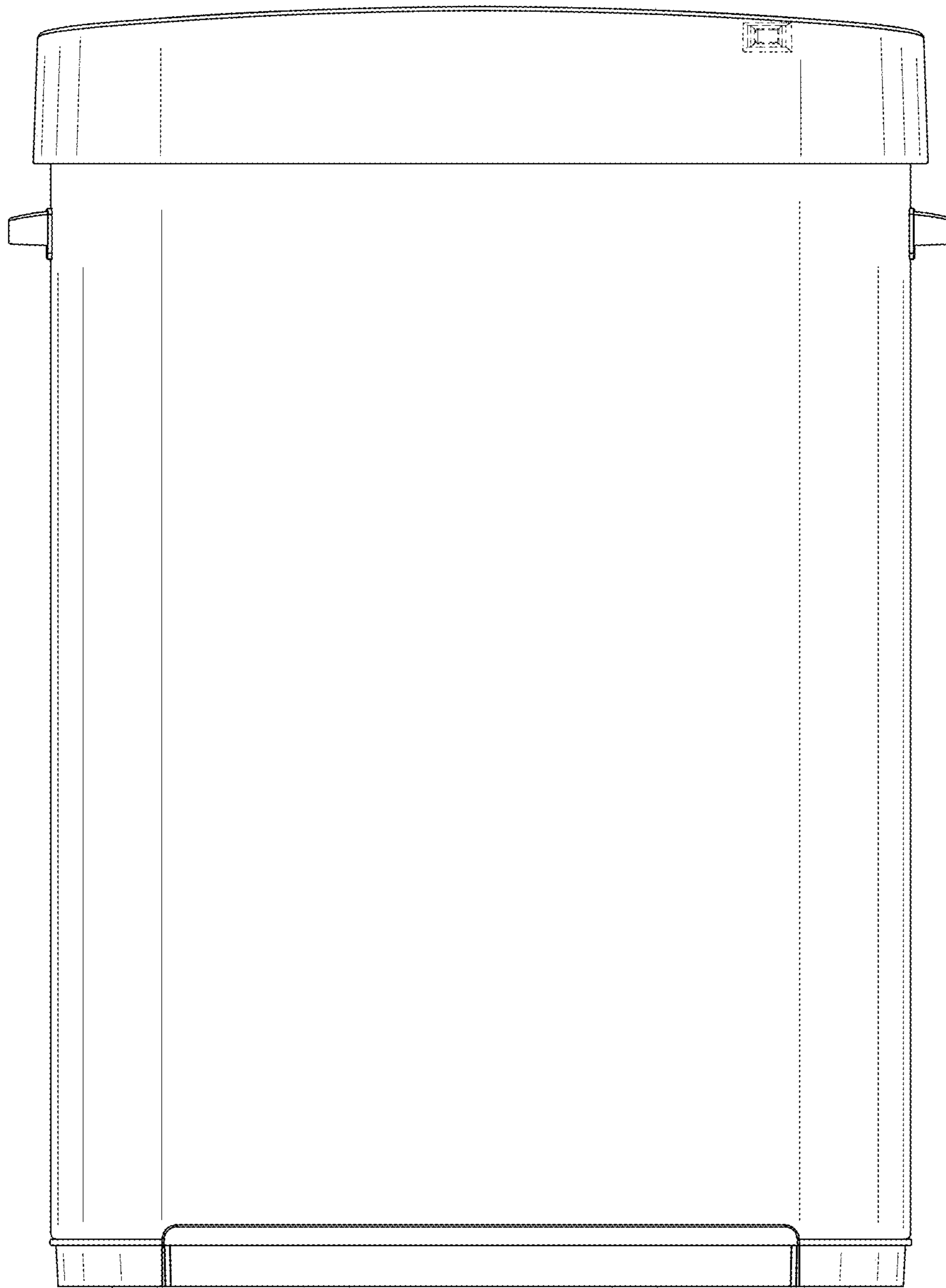


FIG. 4

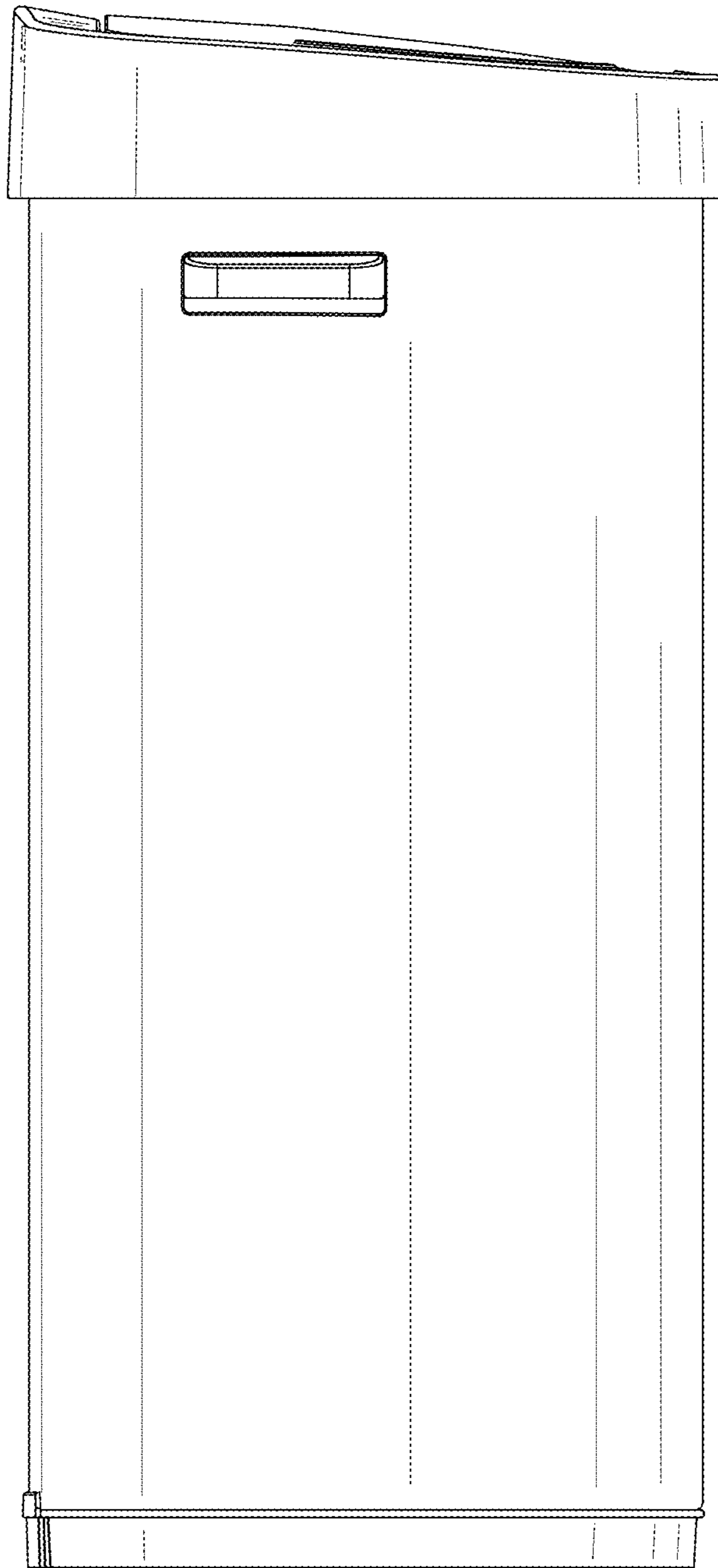


FIG. 5

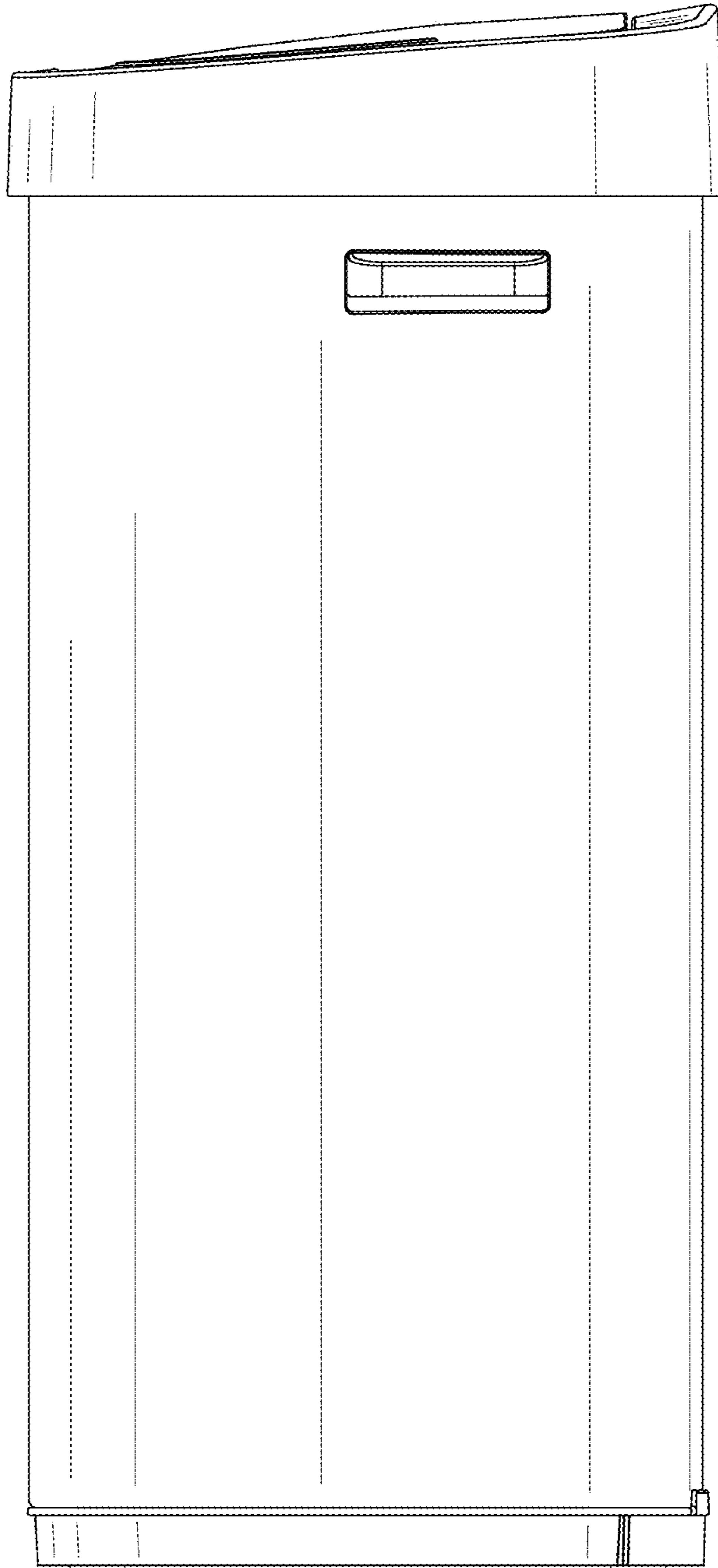


FIG. 6



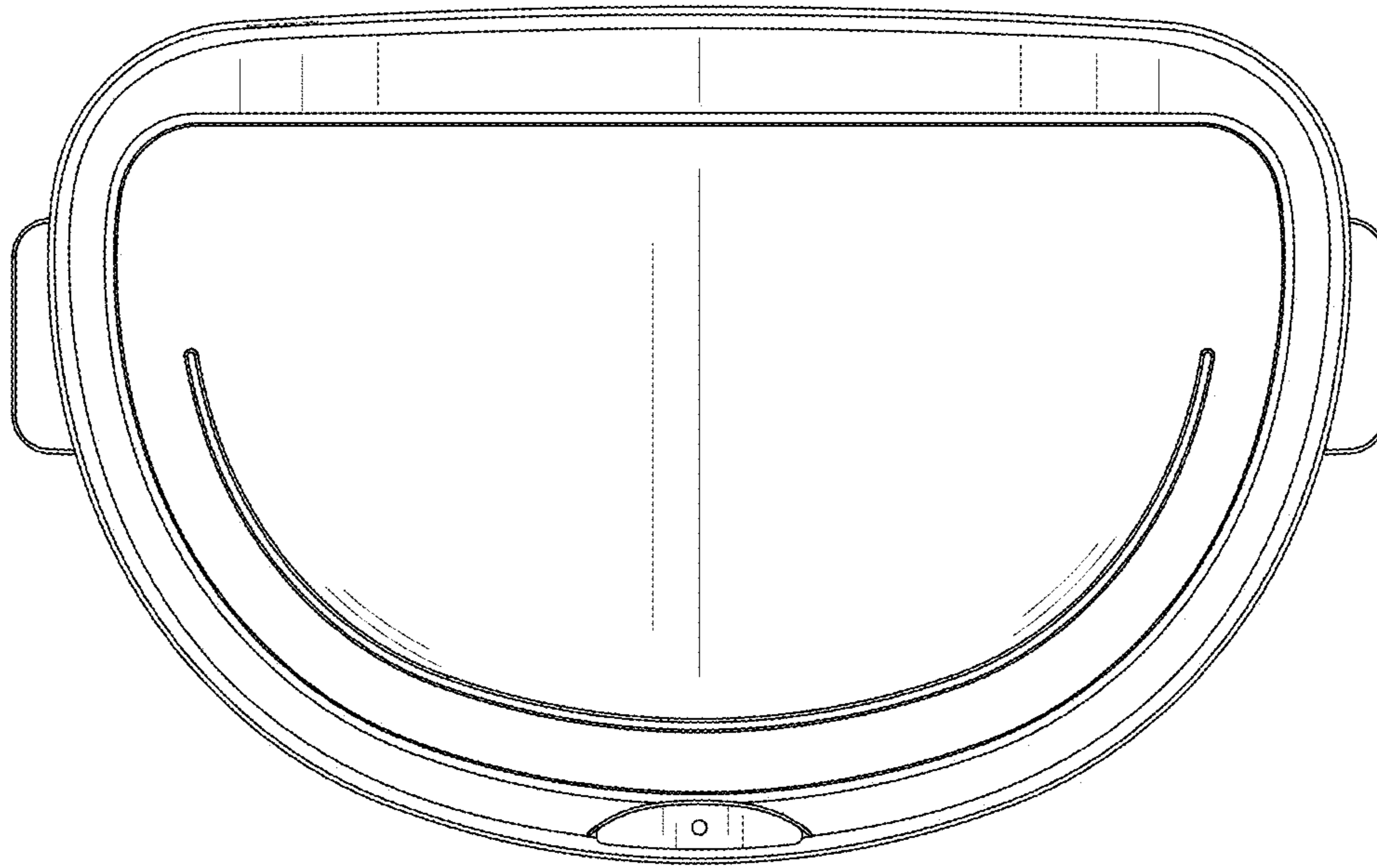


FIG. 7

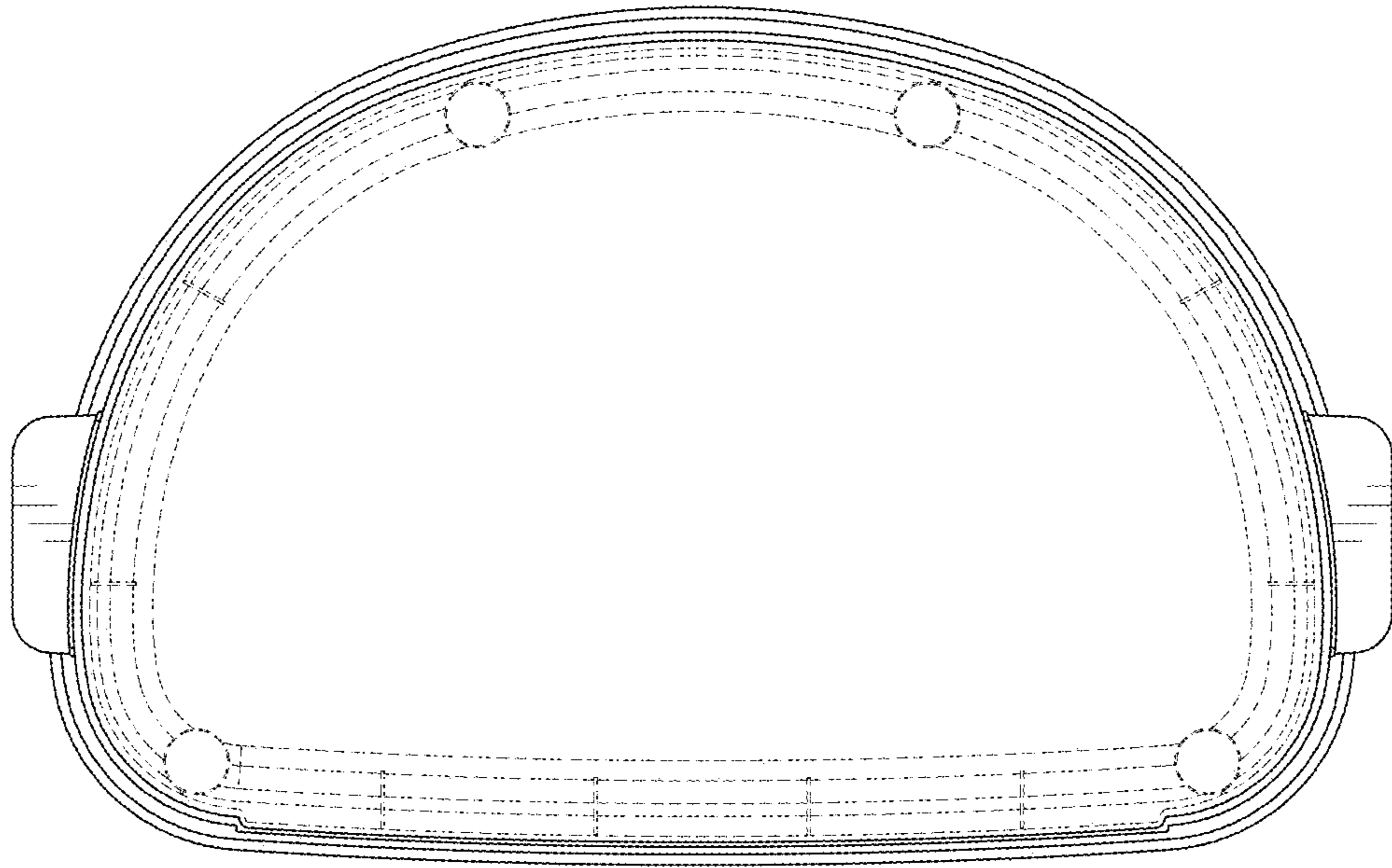


FIG. 8