



US00D979164S

(12) **United States Design Patent**
Hwang et al.

(10) **Patent No.:** **US D979,164 S**
(45) **Date of Patent:** **** Feb. 21, 2023**

(54) **WASHING MACHINE**

FOREIGN PATENT DOCUMENTS

(71) Applicant: **SAMSUNG ELECTRONICS CO., LTD.**, Suwon-si (KR)

WO D223603-001 * 9/2022

(72) Inventors: **Junghoon Hwang**, Suwon-si (KR); **Junguk Shin**, Suwon-si (KR); **Suyeon Park**, Suwon-si (KR); **Sanghoon Yoon**, Suwon-si (KR); **Hyunwoo Yoon**, Suwon-si (KR)

OTHER PUBLICATIONS

Samsung Bespoke 5.3 cu. ft. Ultra-Capacity Smart Front Load Washer, available in www.homedepot.com, customer review oldest date Aug. 5, 2022 [online], [site visited Oct. 20, 2022] (Year: 2022). Available from the internet URL: <https://www.homedepot.com/p/Samsung-Bespoke-5-3-cu-ft-Ultra-Capacity-Smart-Front-Load-Washer-in-Brushed-Navy-with-AI-OptiWash-and-Auto-Dispense-WF53BB8900AD/320703580> (Year: 2022).*

(73) Assignee: **SAMSUNG ELECTRONICS CO., LTD.**, Gyeonggi-Do (KR)

Primary Examiner — Jennifer Rivard
Assistant Examiner — Jennylou M Binas

(**) Term: **15 Years**

(74) *Attorney, Agent, or Firm* — Cantor Colburn LLP

(21) Appl. No.: **29/786,714**

(22) Filed: **Jun. 2, 2021**

(30) **Foreign Application Priority Data**

Mar. 12, 2021 (KR) 30-2021-0012082

(51) **LOC (14) Cl.** **15-05**

(52) **U.S. Cl.**
USPC **D32/28; D32/6**

(58) **Field of Classification Search**
USPC D32/1, 5-6, 8, 10, 12-13, 25, 28, 29.1, D32/30, 31; D21/526
CPC D06F 13/00; D06F 19/00; D06F 21/00; D06F 25/00; D06F 23/00; D06F 23/04; D06F 27/00; D06F 29/00; D06F 35/007; D06F 37/02; D06F 37/04; D06F 37/22; D06F 37/26; D06F 37/36; D06F 39/02; D06F 39/12; D06F 39/14; D06F 39/087;
(Continued)

(56) **References Cited**

U.S. PATENT DOCUMENTS

D174,022 S * 2/1955 Combs D32/28
D190,675 S * 6/1961 Dushek D32/28
(Continued)

(57) **CLAIM**

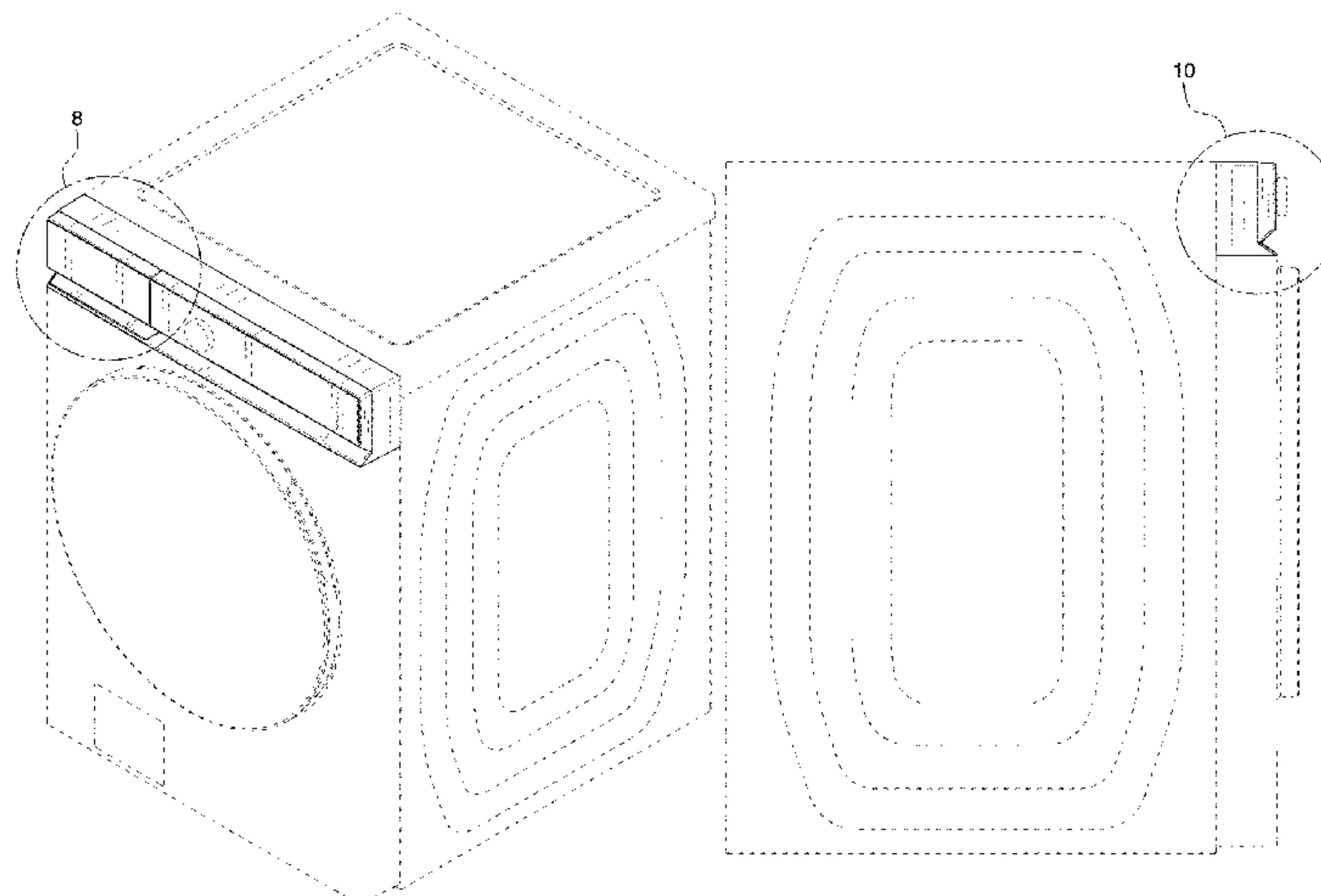
The ornamental design for a washing machine, as shown and described.

DESCRIPTION

FIG. 1 is a front perspective view of a washing machine, showing our new design;
FIG. 2 is a front view thereof;
FIG. 3 is a rear view thereof;
FIG. 4 is a left-side view thereof;
FIG. 5 is a right-side view thereof;
FIG. 6 is a top view thereof;
FIG. 7 is a bottom view thereof;
FIG. 8 is an enlarged view of the encircled portion 8 in FIG. 1;
FIG. 9 is an enlarged view of the encircled portion 9 in FIG. 2; and,
FIG. 10 is an enlarged view of the encircled portion 10 in FIG. 4.

The dot-dot-dash broken lines encircling enlargement portions of the design form no part of the claimed design.

(Continued)



The evenly dashed broken lines in the figures depict portions of the washing machine and form no part of the claimed design.

1 Claim, 10 Drawing Sheets

(58) **Field of Classification Search**

CPC .. D06F 95/00; D06F 2103/24; D06F 2101/00; D06F 2105/02; D06F 2105/58; D06F 34/28; D06F 34/30; D06F 34/32; H03K 17/9622; H03K 2217/960755; H03K 2217/960785

See application file for complete search history.

(56) **References Cited**

U.S. PATENT DOCUMENTS

D194,121 S * 11/1962 Ferar D32/28
 D206,563 S * 12/1966 Campbell et al. D13/164
 D226,131 S * 1/1973 Freze D32/28
 3,988,908 A * 11/1976 Beare D06F 39/026
 D398,103 S * 9/1998 Brown D32/28
 D489,152 S * 4/2004 Sneddon D32/28
 D492,456 S * 6/2004 Geyer D32/28
 D551,402 S * 9/2007 Jung D32/8
 D551,816 S * 9/2007 Schroeter D32/31
 D564,155 S * 3/2008 Eicher D32/28
 D577,472 S * 9/2008 Crookshanks D32/28
 D610,758 S * 2/2010 Yalcin D32/6

D620,650 S * 7/2010 Lee D32/6
 D622,916 S * 8/2010 Lee D32/6
 8,117,872 B2 * 2/2012 Jeong D06F 34/04
 68/12.27
 D658,343 S * 4/2012 Jeon D32/29.1
 8,393,183 B2 * 3/2013 Benne D06F 34/28
 68/12.03
 D688,013 S * 8/2013 Kim D32/6
 8,616,026 B2 * 12/2013 Yoon D06F 34/30
 200/312
 D702,407 S * 4/2014 Geyer D32/28
 D708,799 S * 7/2014 Choi D32/6
 D731,126 S * 6/2015 Ha D32/6
 D731,132 S * 6/2015 Ha D32/28
 D732,763 S * 6/2015 Hwang D32/6
 D732,777 S * 6/2015 Ha D32/28
 D773,134 S * 11/2016 Armstrong D32/28
 D773,757 S * 12/2016 Hwang D32/6
 D775,770 S * 1/2017 Yoon D32/28
 D776,703 S * 1/2017 Shoemaker D14/487
 D789,631 S * 6/2017 Kim D32/29.1
 D809,724 S * 2/2018 Yoon D32/6
 D827,230 S * 8/2018 Ha D32/6
 D858,014 S * 8/2019 Kim D32/6
 10,392,737 B2 * 8/2019 Han D06F 34/34
 10,640,907 B2 * 5/2020 Pillot D06F 37/264
 10,815,596 B2 * 10/2020 De Luca D06F 33/47
 D919,206 S * 5/2021 Lee D32/6
 11,066,772 B2 * 7/2021 Bockos D06F 39/02
 11,066,779 B2 * 7/2021 Kim D06F 58/10
 D942,097 S * 1/2022 Kendall D32/3
 11,396,724 B2 * 7/2022 Yoo D06F 58/08
 2022/0151084 A1 * 5/2022 Feser H05K 5/0017
 2022/0213633 A1 * 7/2022 Zattin D06F 39/022

* cited by examiner

FIG. 1

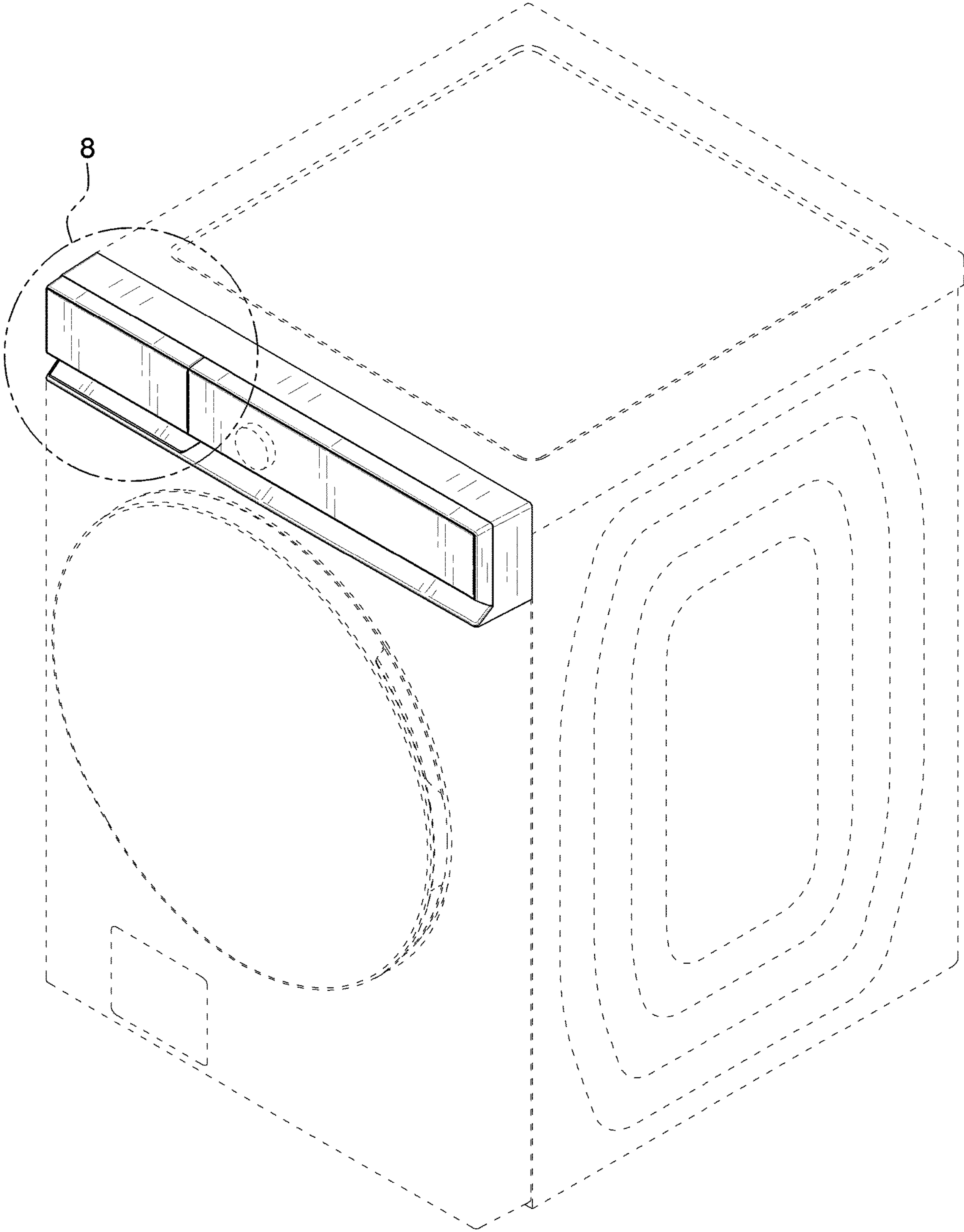


FIG. 2

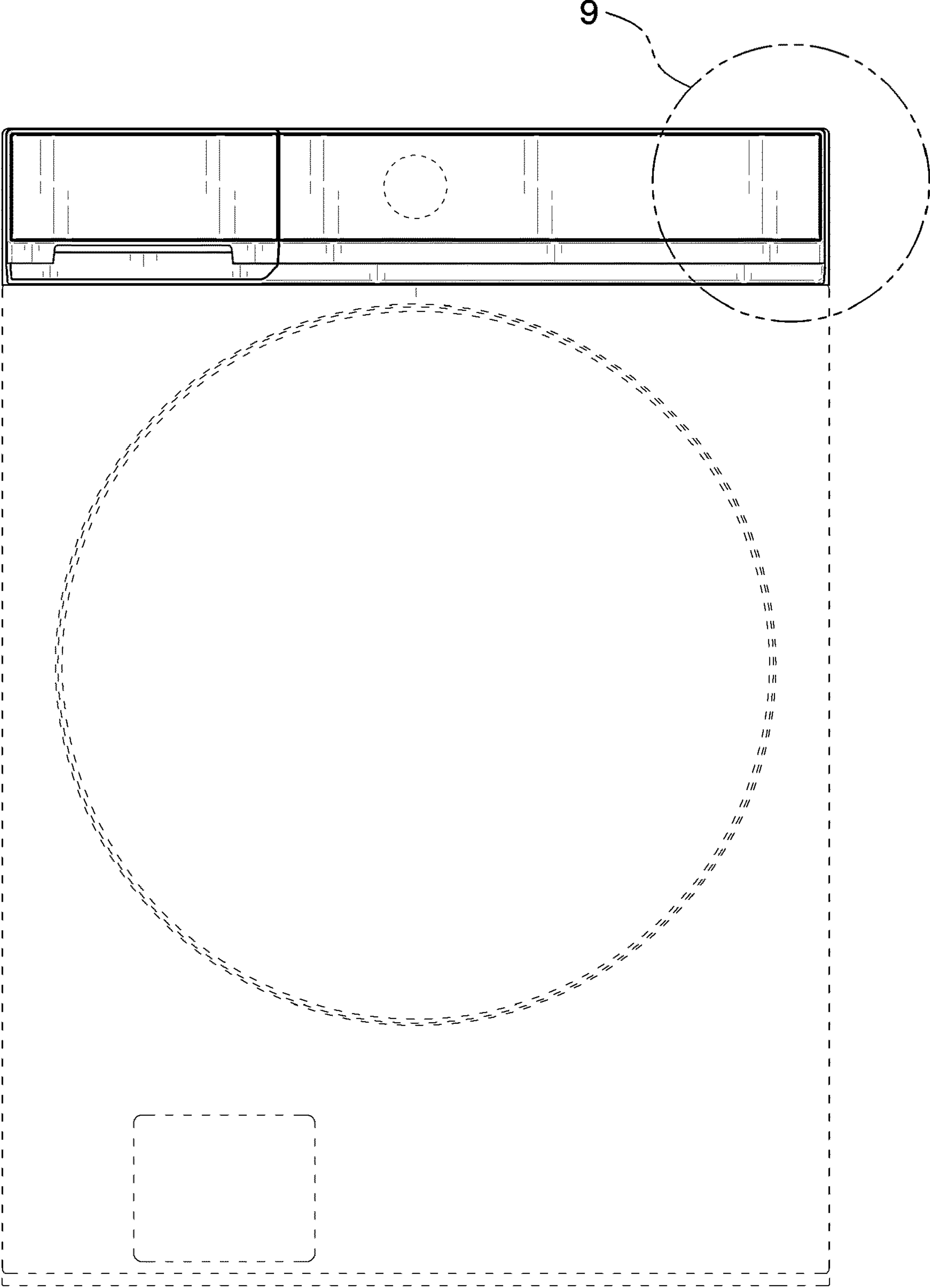


FIG. 3



FIG. 4

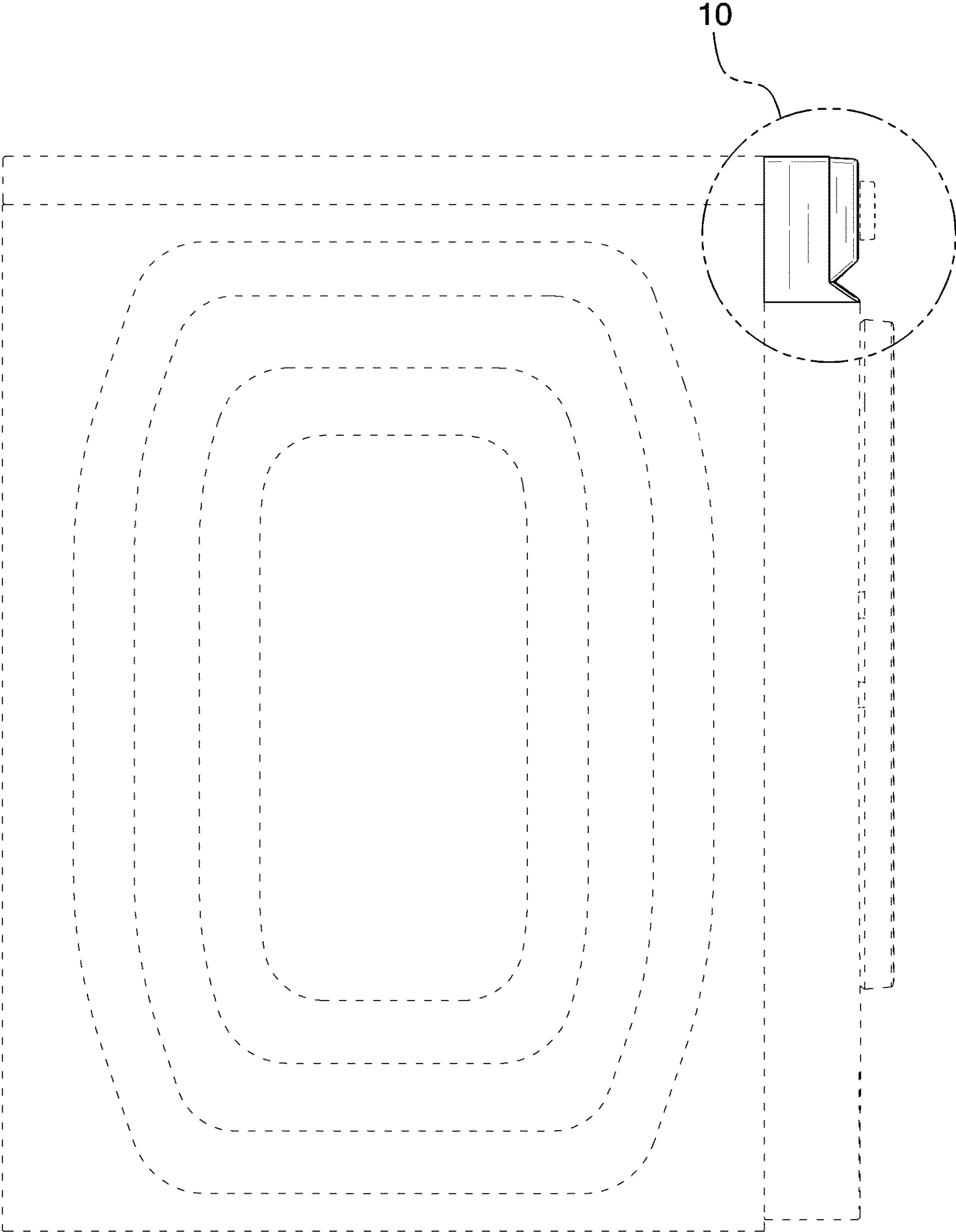


FIG. 5

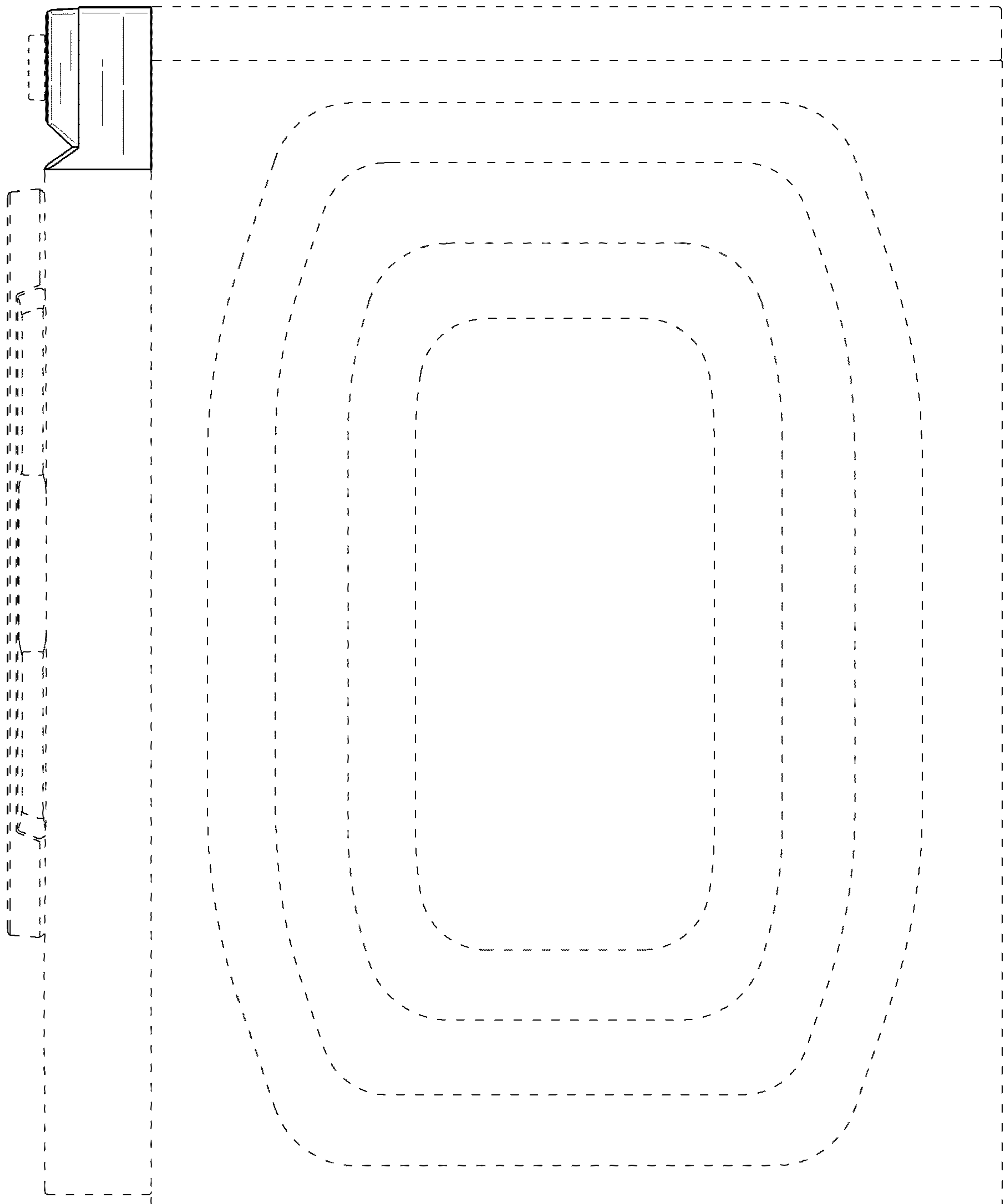


FIG. 6

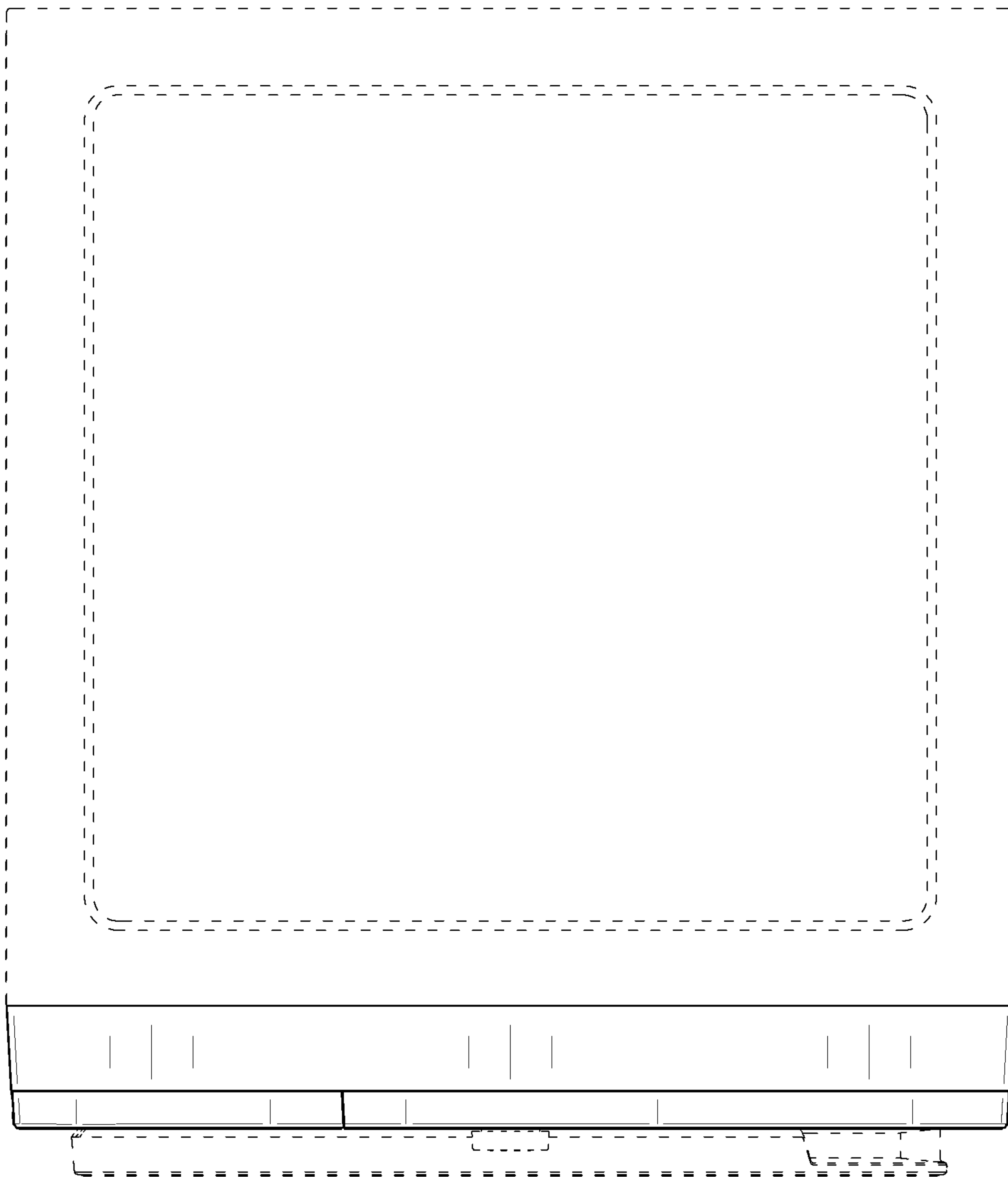


FIG. 7



FIG. 8

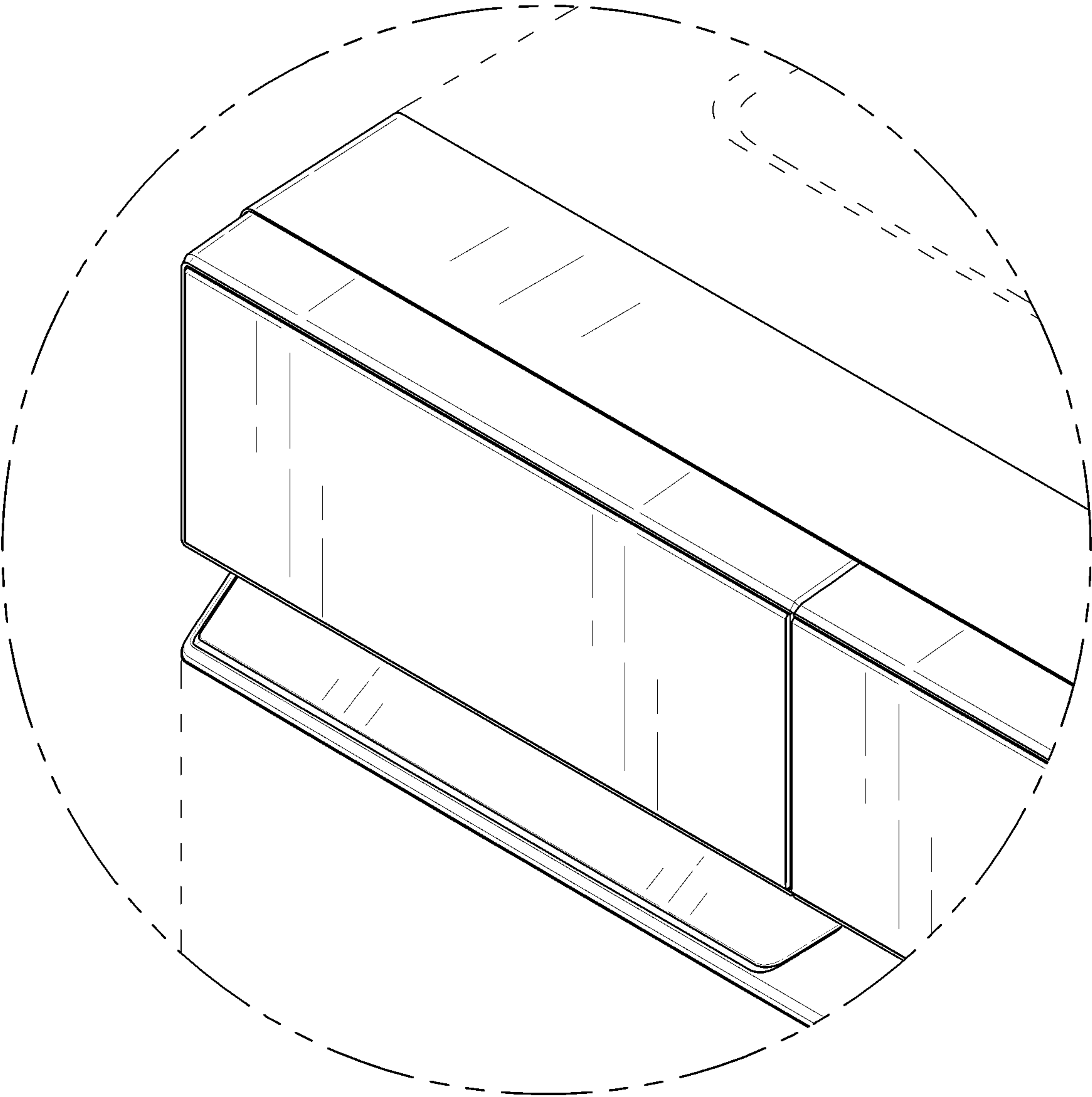


FIG. 9

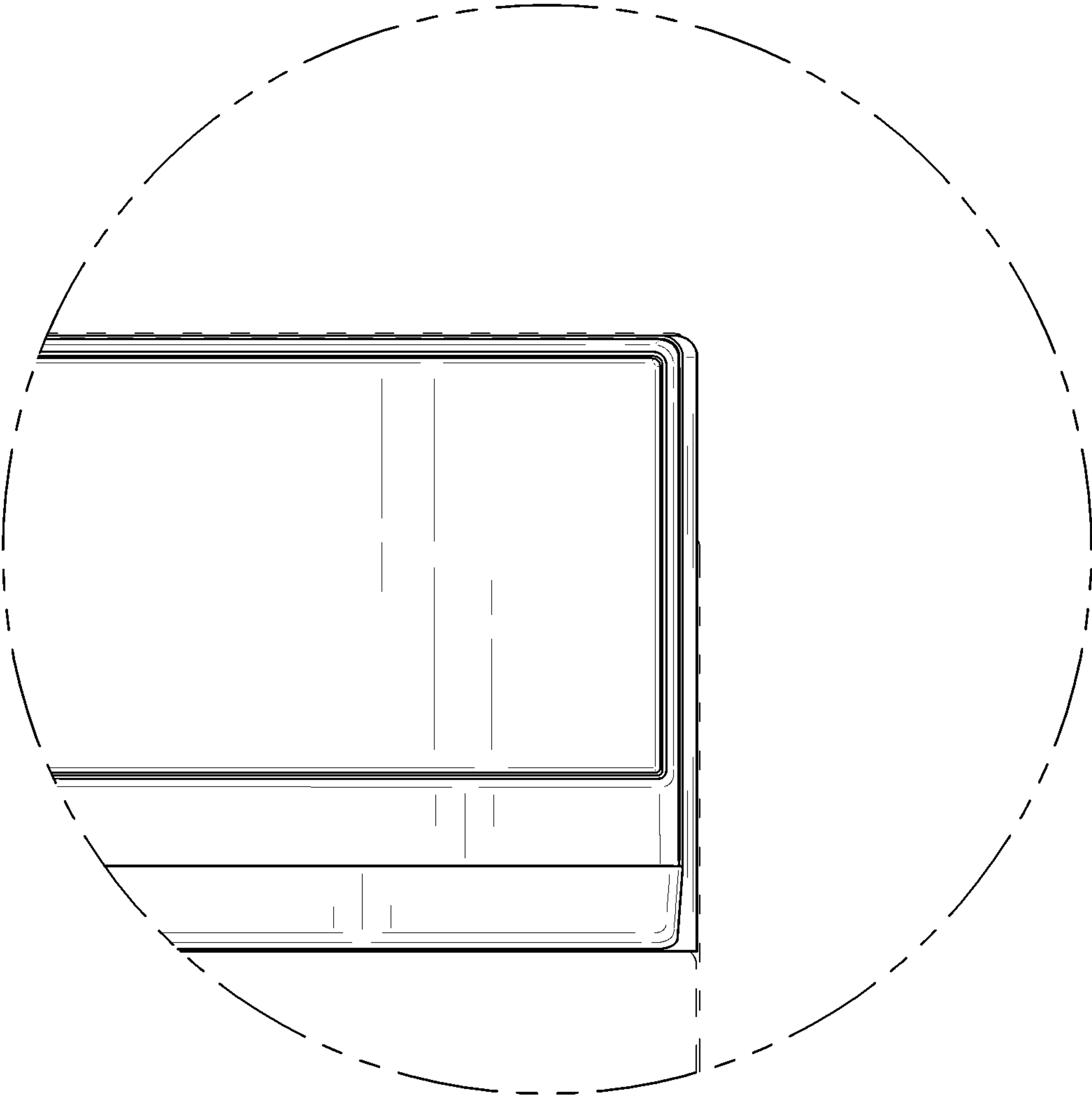


FIG. 10

