



US00D979161S

(12) **United States Design Patent**
Wu et al.

(10) **Patent No.:** **US D979,161 S**

(45) **Date of Patent:** **** Feb. 21, 2023**

(54) **COMBINED CAT LITTER SCOOP HOLDER AND SCOOP**

Primary Examiner — Susan Moon Lee

(71) Applicant: **JINHUA JIU MIAO ENTERPRISE MANAGEMENT CO., LTD.**, Jinhua (CN)

(72) Inventors: **Xia Wu**, Jinhua (CN); **Zhiyu Tang**, Jinhua (CN); **Yifan Ge**, Jinhua (CN)

(73) Assignee: **JINHUA JIU MIAO ENTERPRISE MANAGEMENT CO., LTD.**, Jinhua (CN)

(**) Term: **15 Years**

(21) Appl. No.: **29/850,369**

(22) Filed: **Aug. 19, 2022**

(51) **LOC (14) Cl.** **30-99**

(52) **U.S. Cl.**

USPC **D30/162**

(58) **Field of Classification Search**

USPC D30/162, 199; 273/447; D8/1, 13, 10, D8/11, 14, 6; D34/1, 10, 28, 34, 35; D21/532; D29/124; D7/642, 644, 683, D7/685, 686, 687, 688; 119/867, 161; 294/1.3–1.5, 19.2, 19.3, 86.4, 86.11, 294/86.19, 86.42, 86.12, 86.17, 86, 2, 294/86.21, 86.24, 86.26, 86.32, 87.26, 294/196–198, 210, 111, 49–57; 132/273, 132/277, 283, 284, 128–156, 236, 252, 132/259–263; 15/257.1; 446/424–428, 446/491, 330, 86; 56/400.17, 400.01, 56/400.04–400.11, 400.1, 400.14, 400.16, 56/400.21; 172/371, 373–375, 378, 379, 172/381

(Continued)

(56) **References Cited**

U.S. PATENT DOCUMENTS

5,613,660 A * 3/1997 Wyatt A47F 13/08
248/314

6,039,368 A * 3/2000 Kowalczyk A01K 1/0114
294/1.3

(Continued)

(57) **CLAIM**

The ornamental design for a combined cat litter scoop holder and scoop, as shown and described.

DESCRIPTION

FIG. 1 is a perspective view of a cat litter scoop holder of a combined cat litter scoop holder and scoop showing my new design, shown separately for ease of illustration;

FIG. 2 is another perspective view thereof;

FIG. 3 is a front elevational view thereof;

FIG. 4 is a rear elevational view thereof;

FIG. 5 is a left side elevational view thereof;

FIG. 6 is a right side elevational view thereof;

FIG. 7 is a top plan view thereof;

FIG. 8 is a bottom plan view thereof;

FIG. 9 is a perspective view of a cat litter scoop of the combined cat litter scoop holder and scoop, shown separately for ease of illustration;

FIG. 10 is another perspective view thereof;

FIG. 11 is a front elevational view thereof;

FIG. 12 is a rear elevational view thereof;

FIG. 13 is a left side elevational view thereof;

FIG. 14 is a right side elevational view thereof;

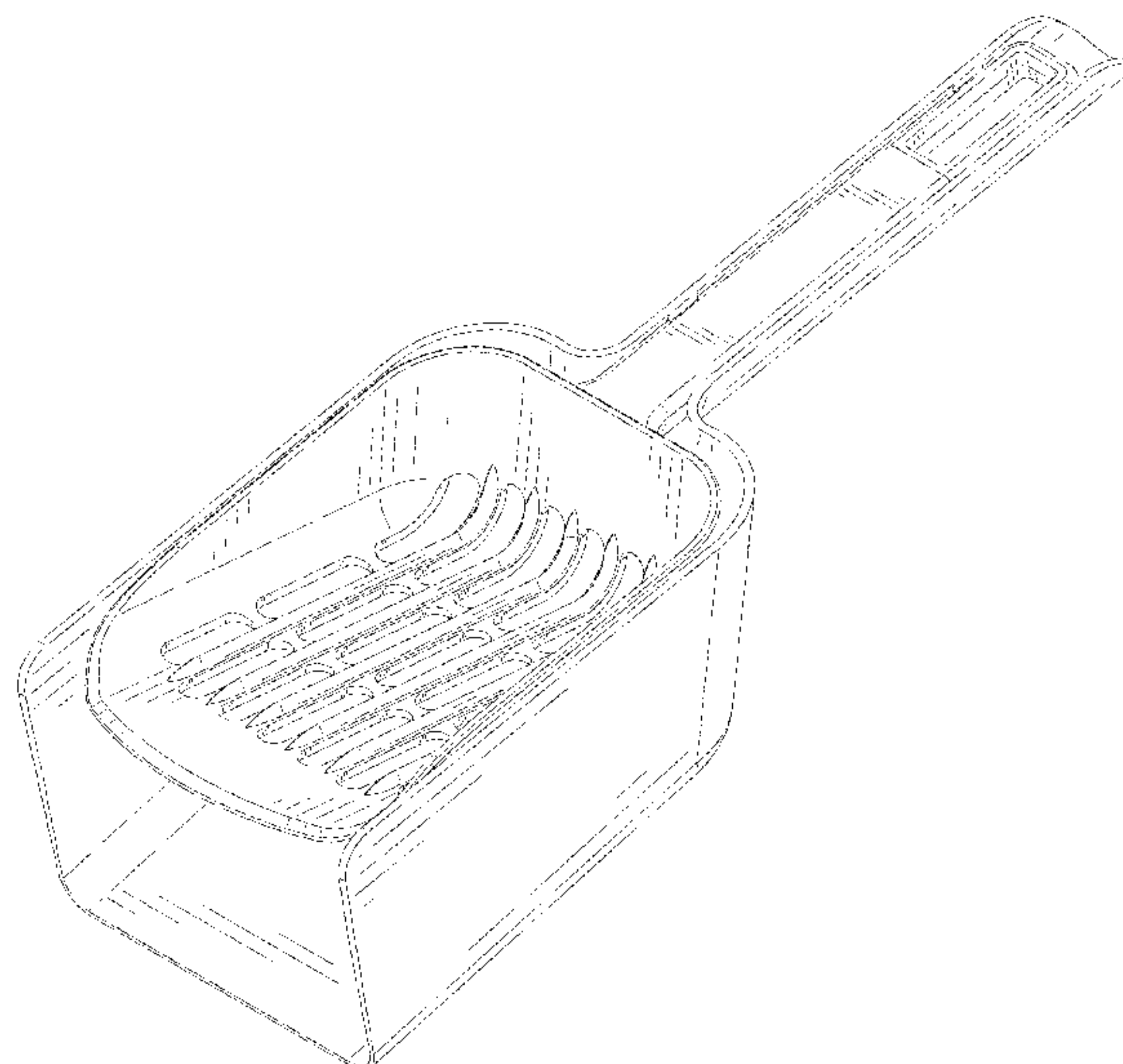
FIG. 15 is a top plan view thereof;

FIG. 16 is a bottom plan view thereof; and,

FIG. 17 is a perspective view of the combined cat litter scoop holder and scoop, where the cat litter scoop is assembled with the cat litter scoop holder.

The broken lines in the drawings depict portions of the combined cat litter scoop holder and scoop that form no part of the claimed design.

1 Claim, 17 Drawing Sheets



US D979,161 S

Page 2

(58) **Field of Classification Search**

CPC A01K 1/01; A01K 23/005; E01H 1/1206;
E01H 1/12; E01H 1/1213; E01H
2001/122; E01H 2001/1226; E01H
2001/1233; E01H 2001/1246; E01H
2001/1293; A63H 17/266; A63H 17/12;
A63H 17/26; A63H 23/005; A63H 23/16;
A63H 33/3044; A63H 33/3072; B25J
1/02; B25J 1/06; A01B 1/20; A01B 1/22;
A01B 1/227; A01D 7/00; A01D 7/02;
A01D 7/04; A01D 7/06; A01D 7/08;
A01D 7/10; A01D 11/00; A01D 11/06;
B25G 1/00; E04D 15/00; E04D 15/003;
E04D 15/006; Y10T 403/40; Y10T
403/46; Y10T 403/7005

See application file for complete search history.

(56) **References Cited**

U.S. PATENT DOCUMENTS

D465,621 S 11/2002 Dunn

6,578,807 B1 * 6/2003 Lipscomb A01K 1/0114
248/314
6,976,661 B2 * 12/2005 Lipscomb A01K 1/0114
248/314
7,047,907 B1 * 5/2006 Johnston A01K 1/0114
294/1.3
D749,278 S * 2/2016 Garvey D30/162
D775,436 S * 12/2016 Rodriguez D30/162
D815,782 S * 4/2018 Leick D30/162
D895,910 S * 9/2020 Wendling D30/162
D939,791 S * 12/2021 Myerson D30/162
2004/0227364 A1 * 11/2004 Pain A01K 1/0114
294/1.3
2005/0173935 A1 * 8/2005 Pain A01K 1/0114
294/1.3
2007/0267333 A1 * 11/2007 Delman B07B 1/02
209/418
2007/0277741 A1 * 12/2007 Delman A01K 1/0114
119/166
2014/0076756 A1 * 3/2014 Sweetman A01K 1/011
206/349

* cited by examiner

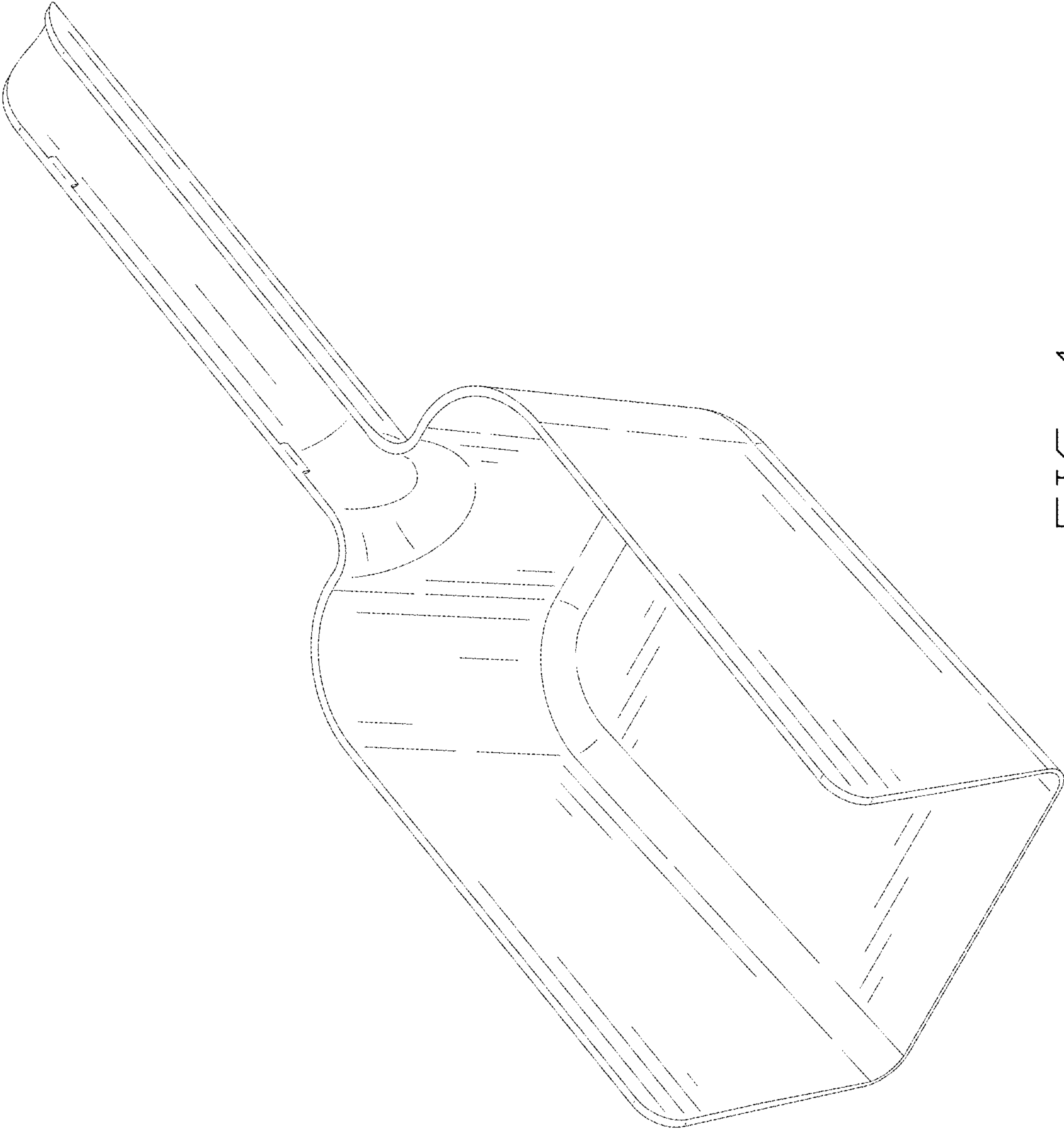


FIG. 1

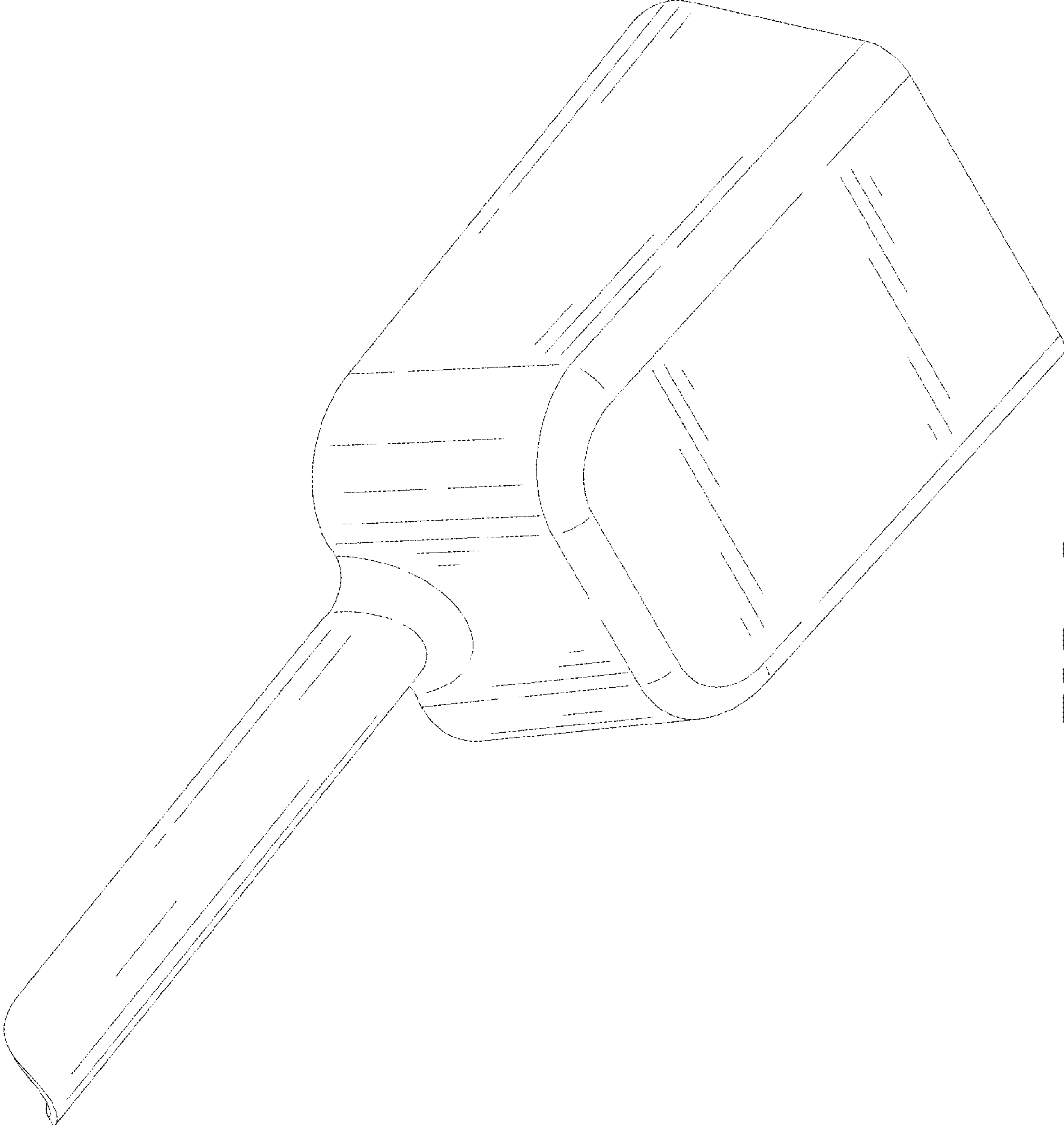


FIG. 2

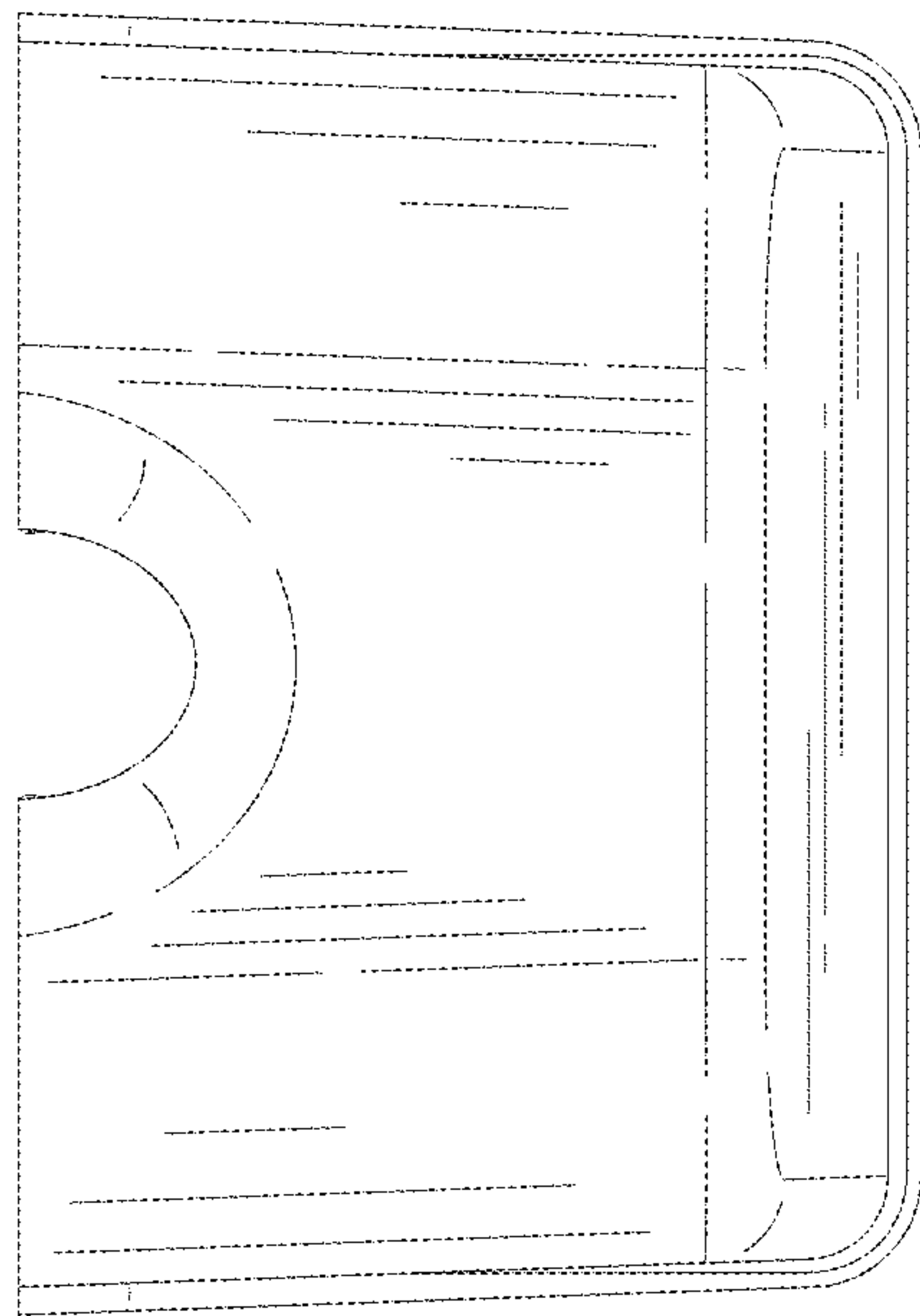


FIG. 3

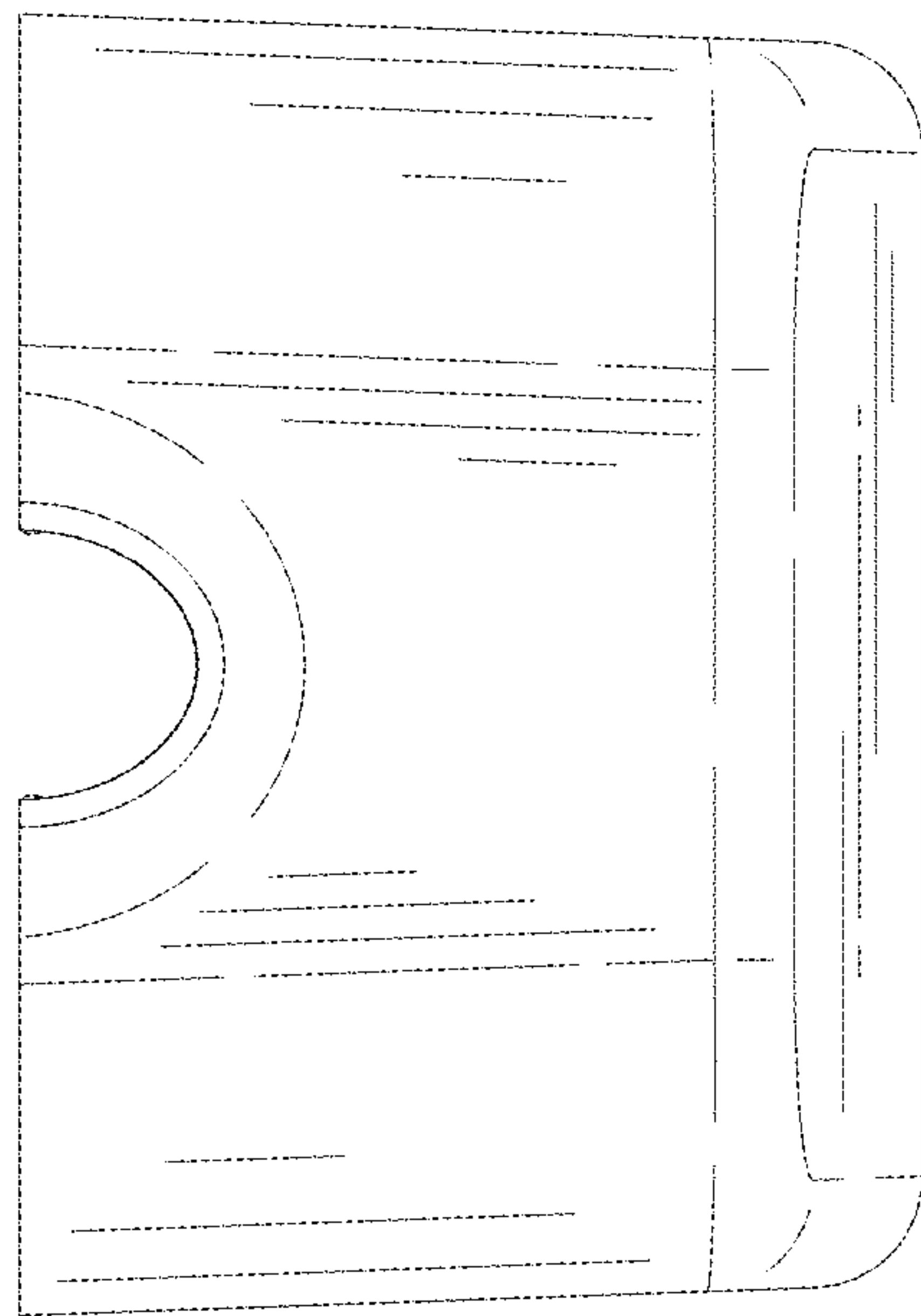


FIG. 4

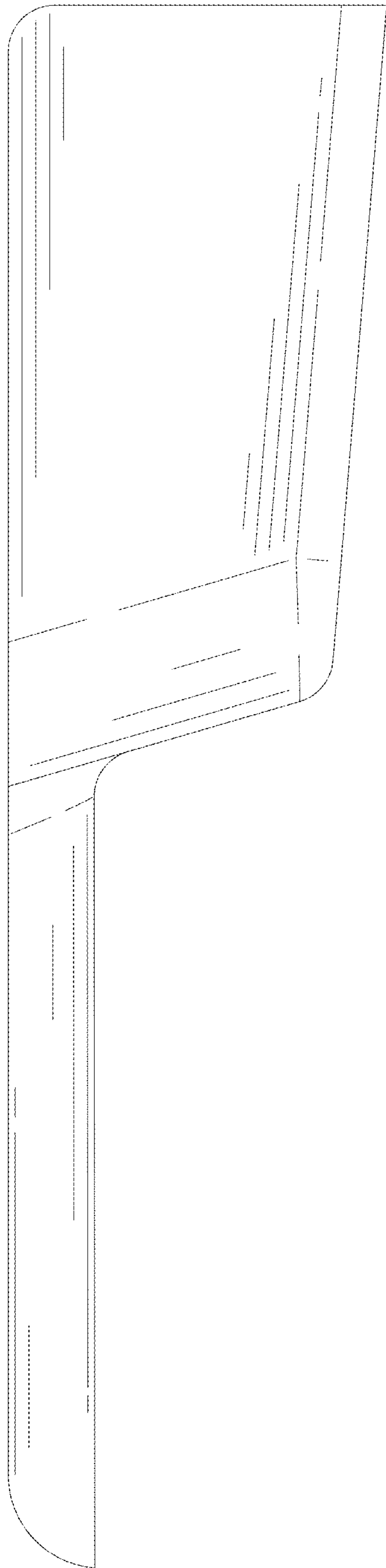


FIG. 5

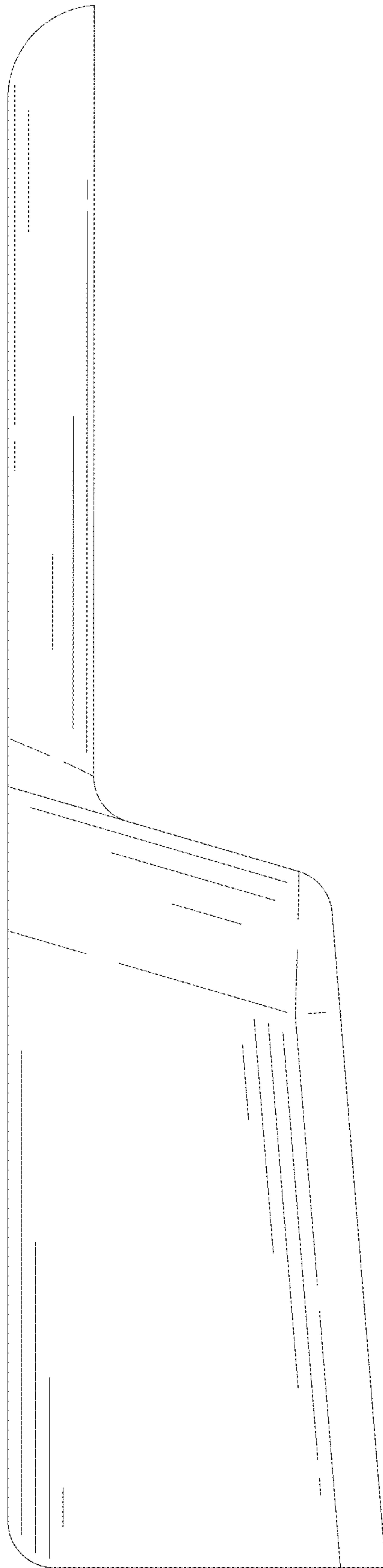


FIG. 6

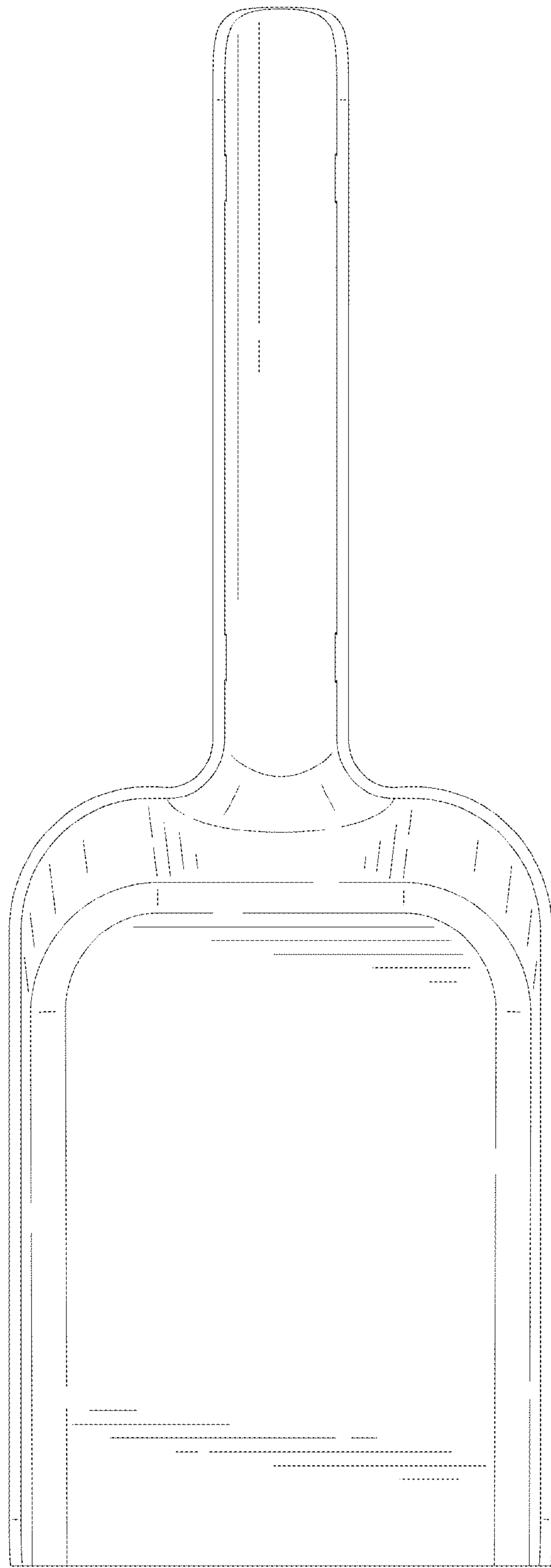


FIG. 7

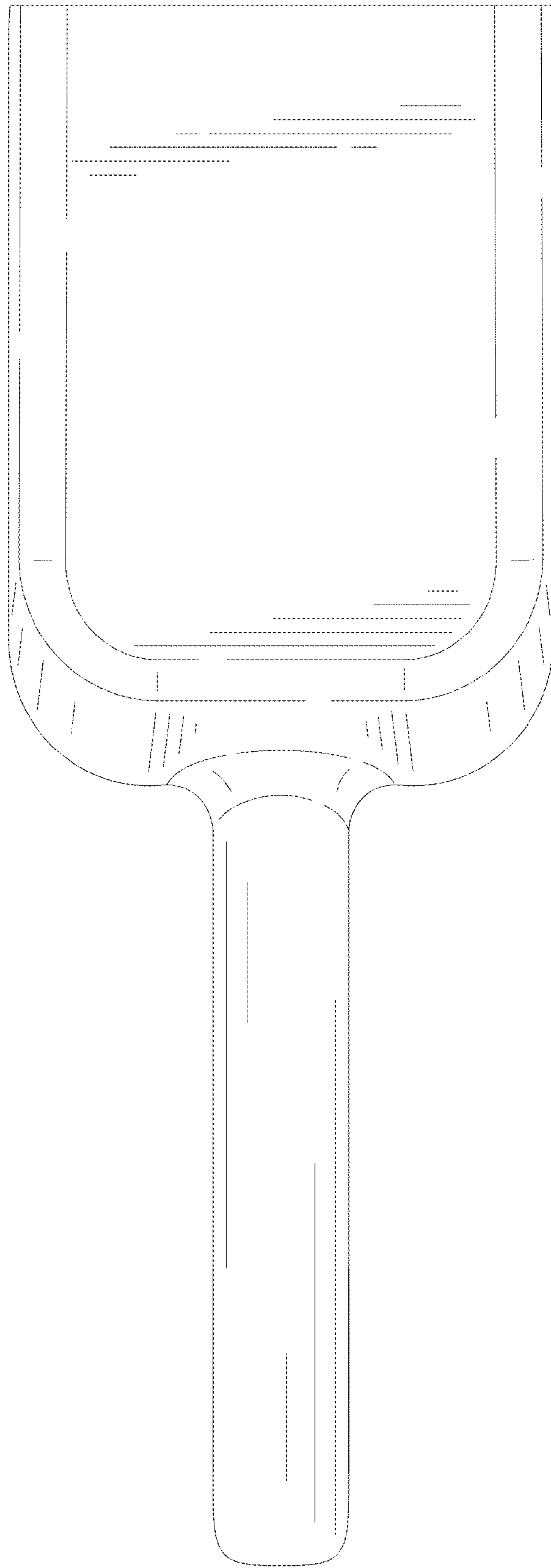


FIG. 8

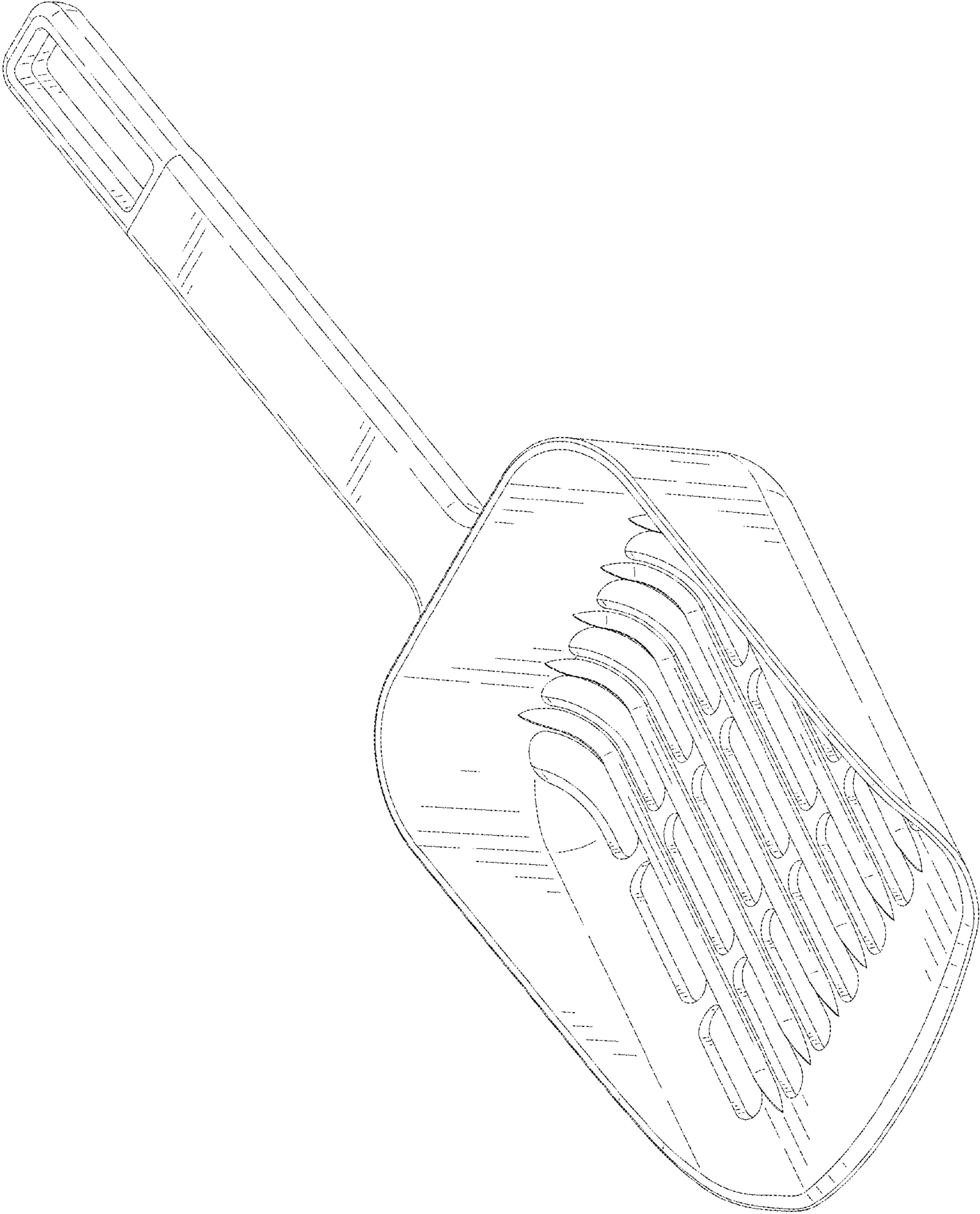


FIG. 9

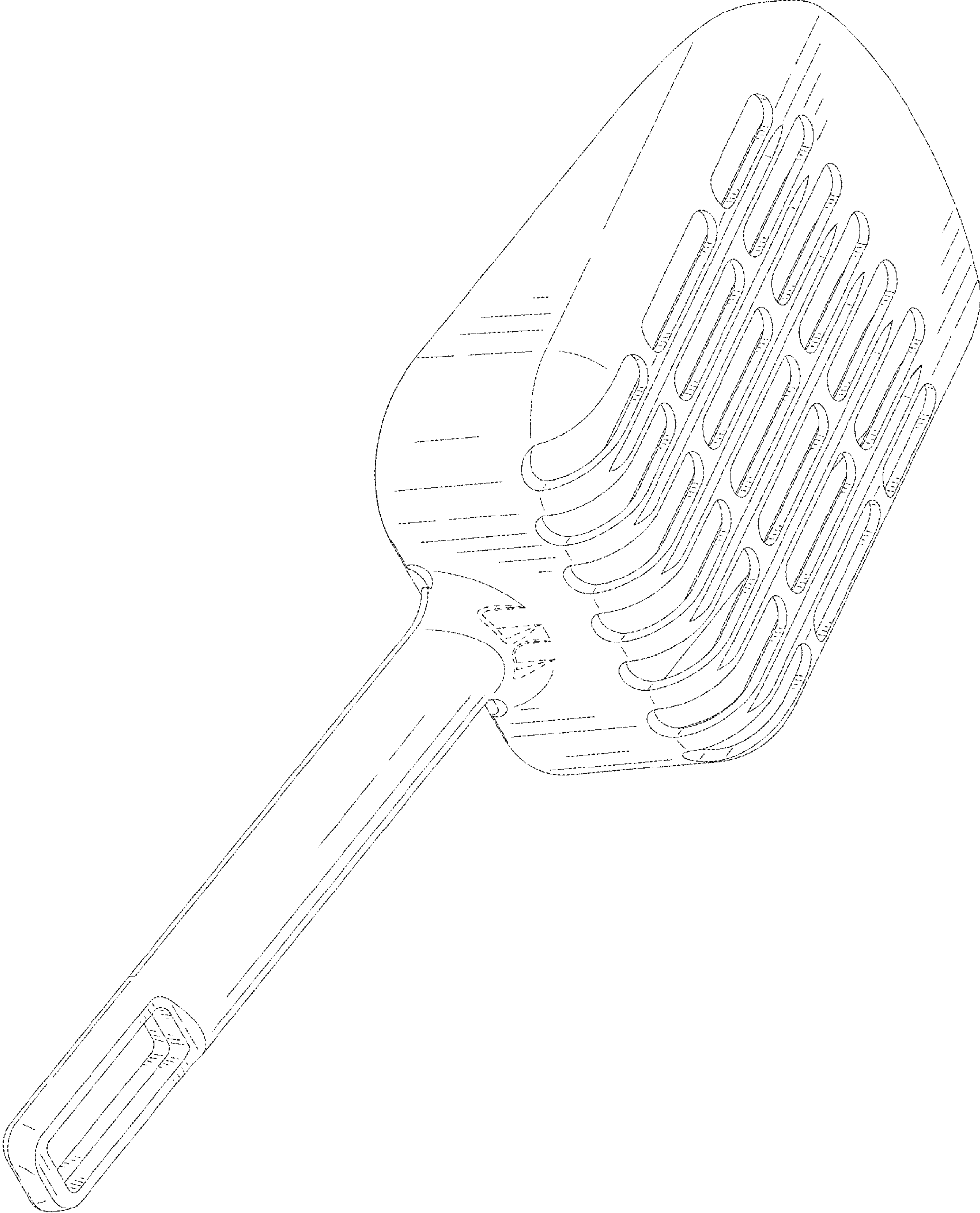


FIG. 10

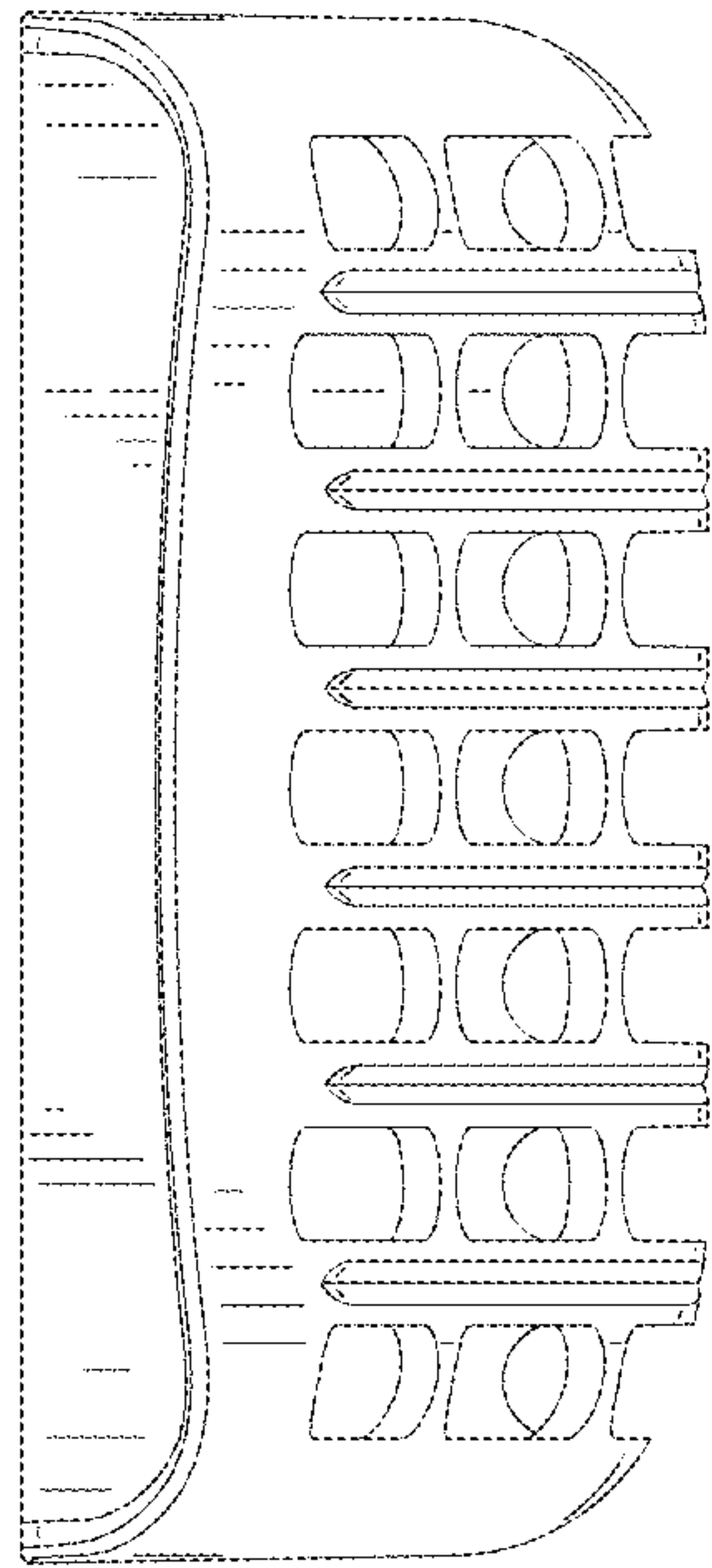


FIG. 11

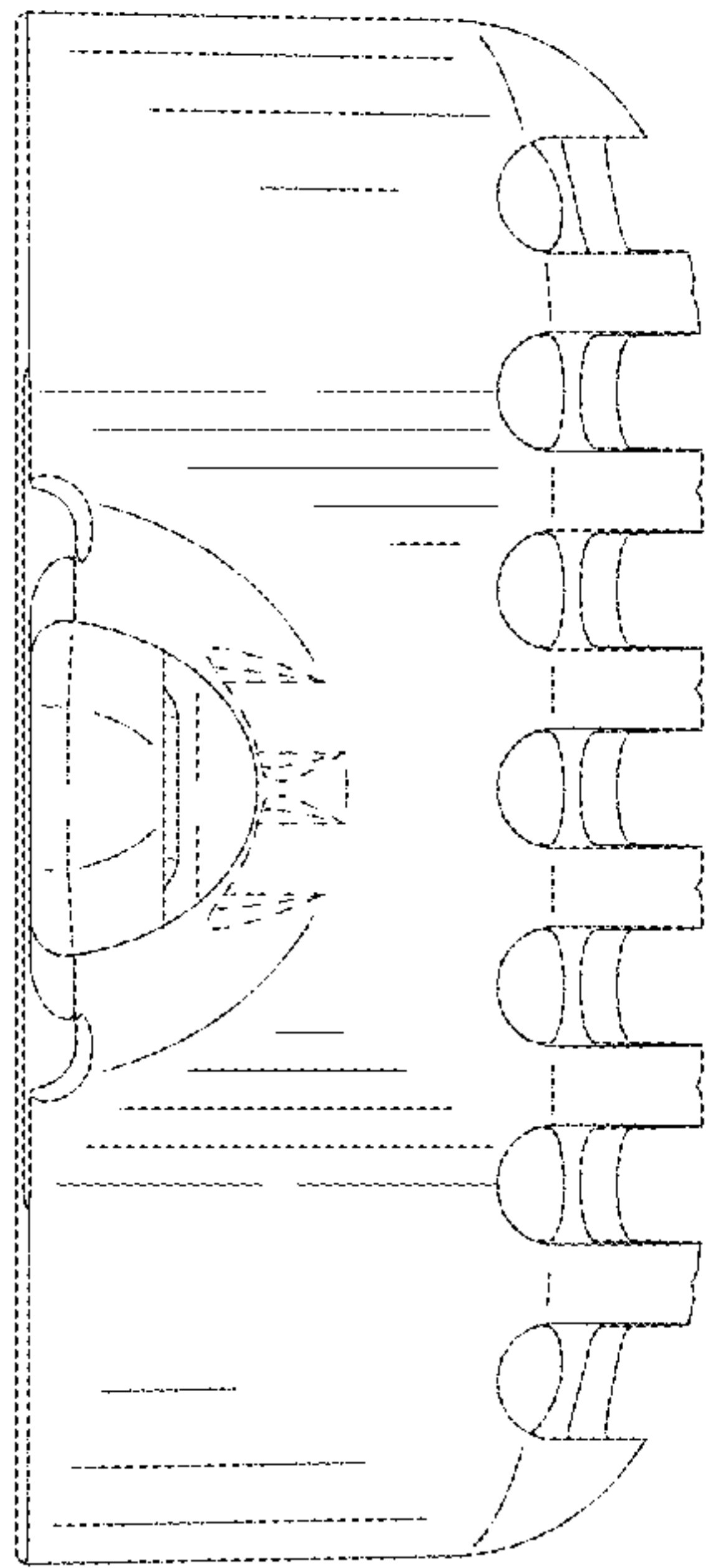


FIG. 12

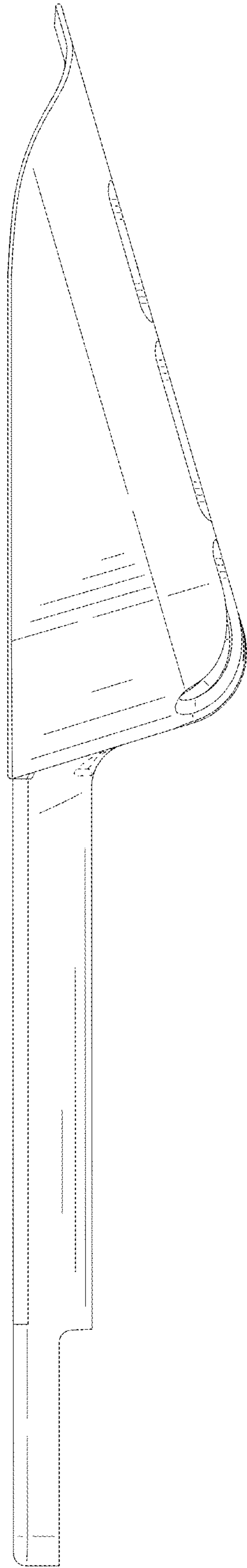


FIG. 13

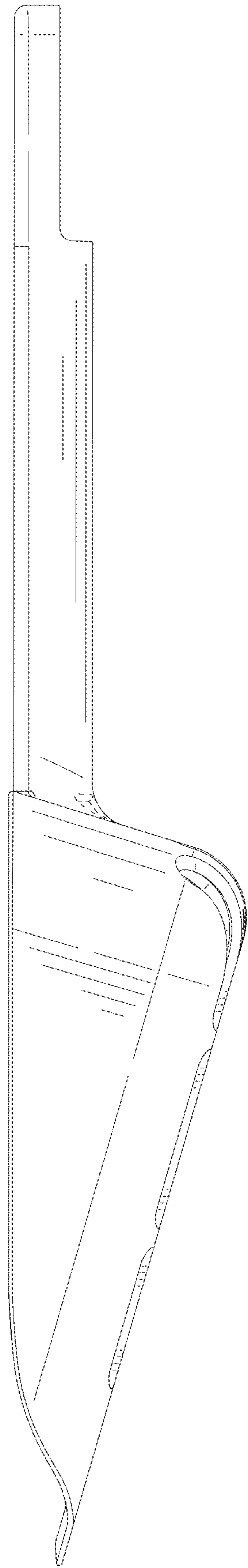


FIG. 14

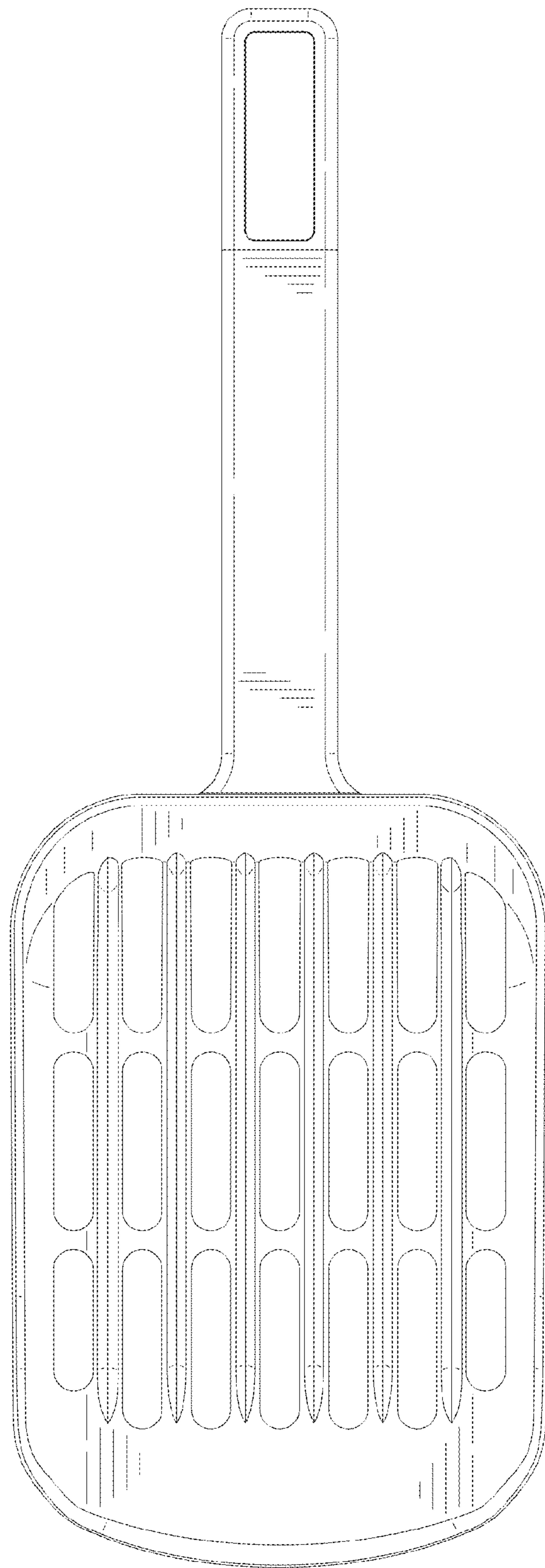


FIG. 15

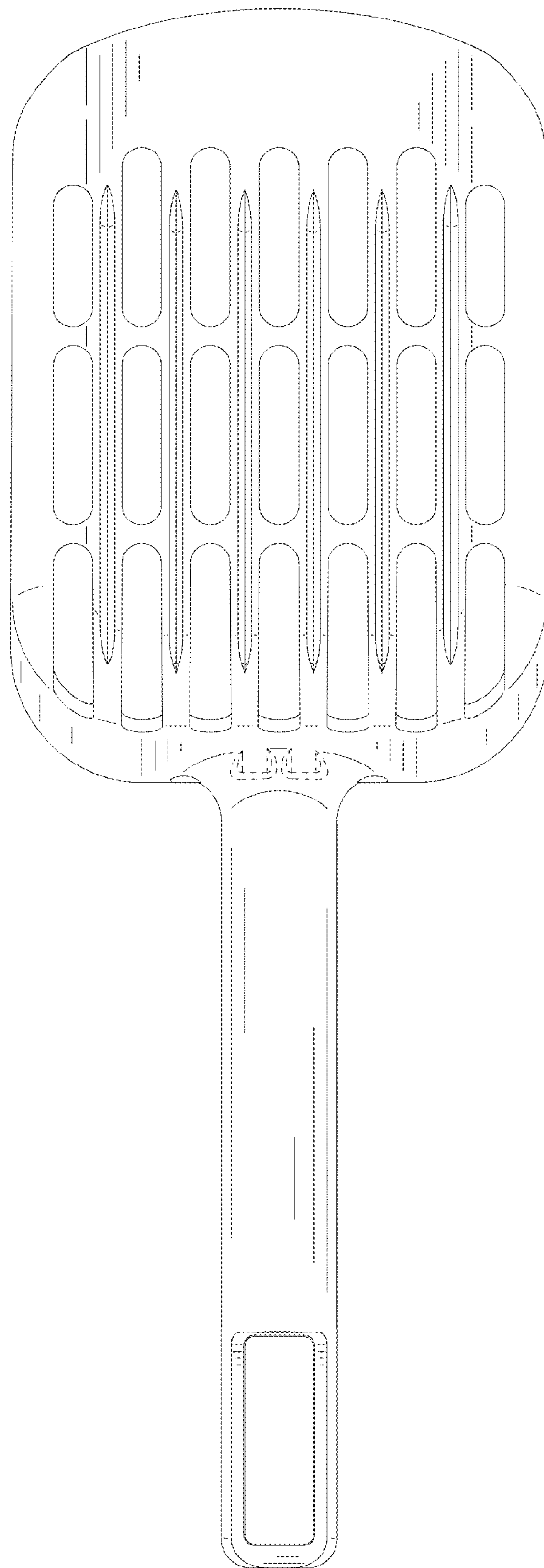


FIG. 16

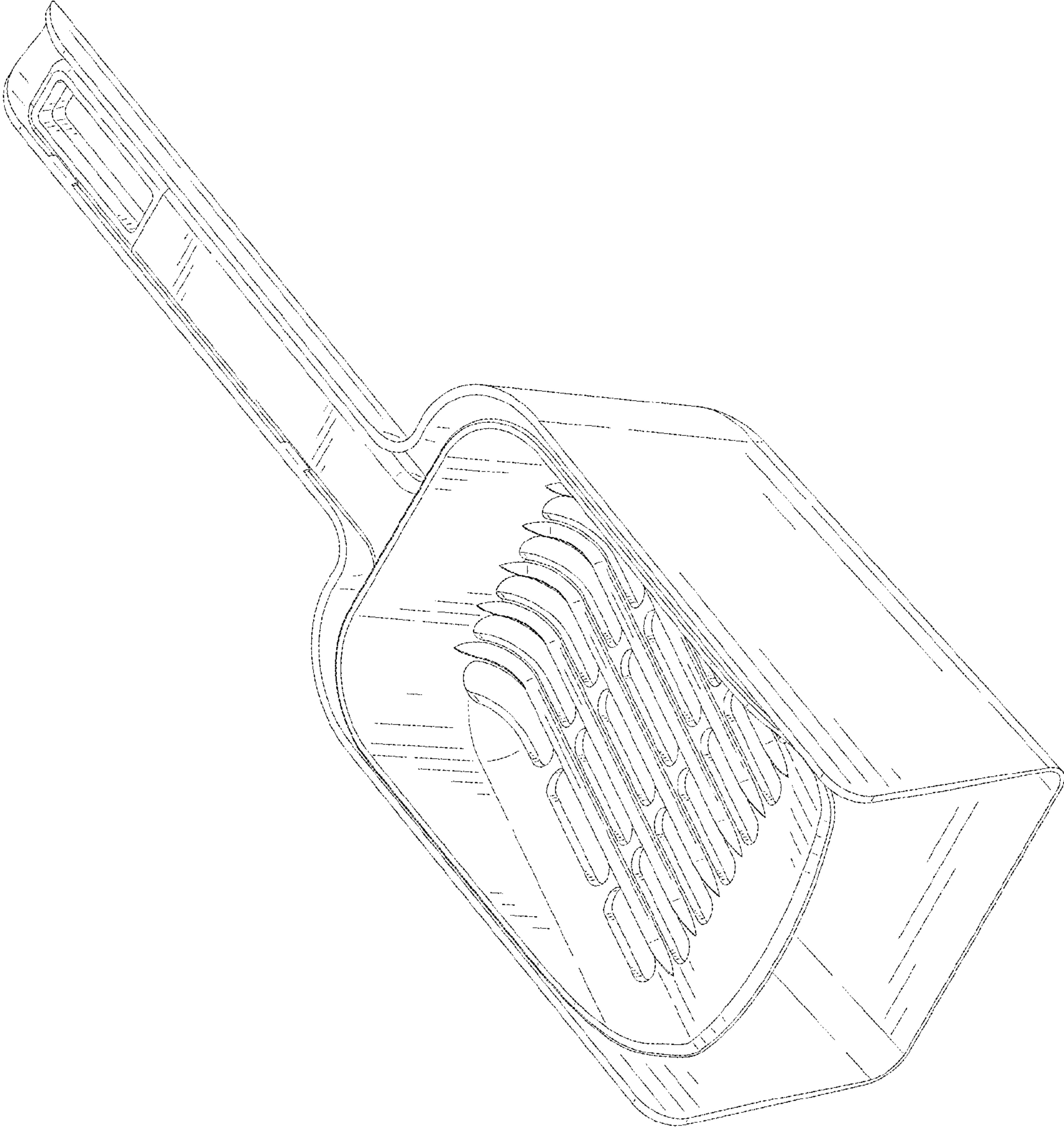


FIG. 17