



US00D979160S

(12) **United States Design Patent** (10) **Patent No.:** **US D979,160 S**
Rooney (45) **Date of Patent:** **** Feb. 21, 2023**

(54) **PET HARNESS**

FOREIGN PATENT DOCUMENTS

(71) Applicant: **Andrew J. Rooney**, Cullowhee, NC
(US)

DE 19733287 4/1998
DE 102012000524 7/2013

(Continued)

(72) Inventor: **Andrew J. Rooney**, Cullowhee, NC
(US)

OTHER PUBLICATIONS

(**) Term: **15 Years**

Voyager Step-In Air Dog Harness, available in Amazon.com, date first available Jul. 22, 2014 [online], [site visited Jun. 13, 2022], Available from the internet URL: <https://www.amazon.com/dp/B00M0V7VVI?th=1> (Year: 2014).*

(21) Appl. No.: **29/774,174**

(Continued)

(22) Filed: **Mar. 15, 2021**

(51) **LOC (14) Cl.** **30-04**

Primary Examiner — Vy N Koenig

(52) **U.S. Cl.**

Assistant Examiner — Elizabeth Anne Glassberg

USPC **D30/152**

(74) *Attorney, Agent, or Firm* — Taylor English Duma LLP

(58) **Field of Classification Search**

USPC D30/145, 152, 153

CPC A01K 25/00; A01K 27/00; A01K 27/001;

A01K 27/002; A01K 27/003; A01K

27/004; A01K 27/005

(57) **CLAIM**

I claim the ornamental design for a pet harness, as shown and described.

See application file for complete search history.

DESCRIPTION

(56) **References Cited**

FIG. 1 is a downward front perspective view of the claimed design.

U.S. PATENT DOCUMENTS

FIG. 2 is an upward front perspective view thereof.

1,685,435 A 9/1928 Philbrick

FIG. 3 is a top plan view thereof.

4,964,369 A 10/1990 Sporn

FIG. 4 is a bottom plan view thereof.

D312,151 S * 11/1990 Dickey D30/145

FIG. 5 is a right-side elevation view thereof.

5,325,819 A 7/1994 Krauss

FIG. 6 is a left-side elevation view thereof.

5,660,146 A 8/1997 Sporn

FIG. 7 is a front elevation view thereof; and,

6,450,130 B1 9/2002 Goldberg

FIG. 8 is a rear elevation view thereof.

7,004,113 B1 2/2006 Zutis et al.

The solid lines represent the bounds of the claimed design,

D584,862 S * 1/2009 Kemper D30/145

whereas those features shown in broken lines, such as the

D633,257 S * 2/2011 Trias D30/152

front control line connector, shown in FIGS. 1, 2, and 4-8, the

8,051,808 B2 11/2011 Mugford

back strap connector, shown in FIGS. 1-3 and 5-7, the

D688,011 S * 8/2013 Gee D30/152

control line buckles, shown in FIGS. 1-6 and 8, and the

8,516,978 B2 8/2013 Horiuchi

hook-and-loop fasteners, shown in FIGS. 1-3, form no part

8,561,577 B1 10/2013 Paxton et al.

of the claimed design.

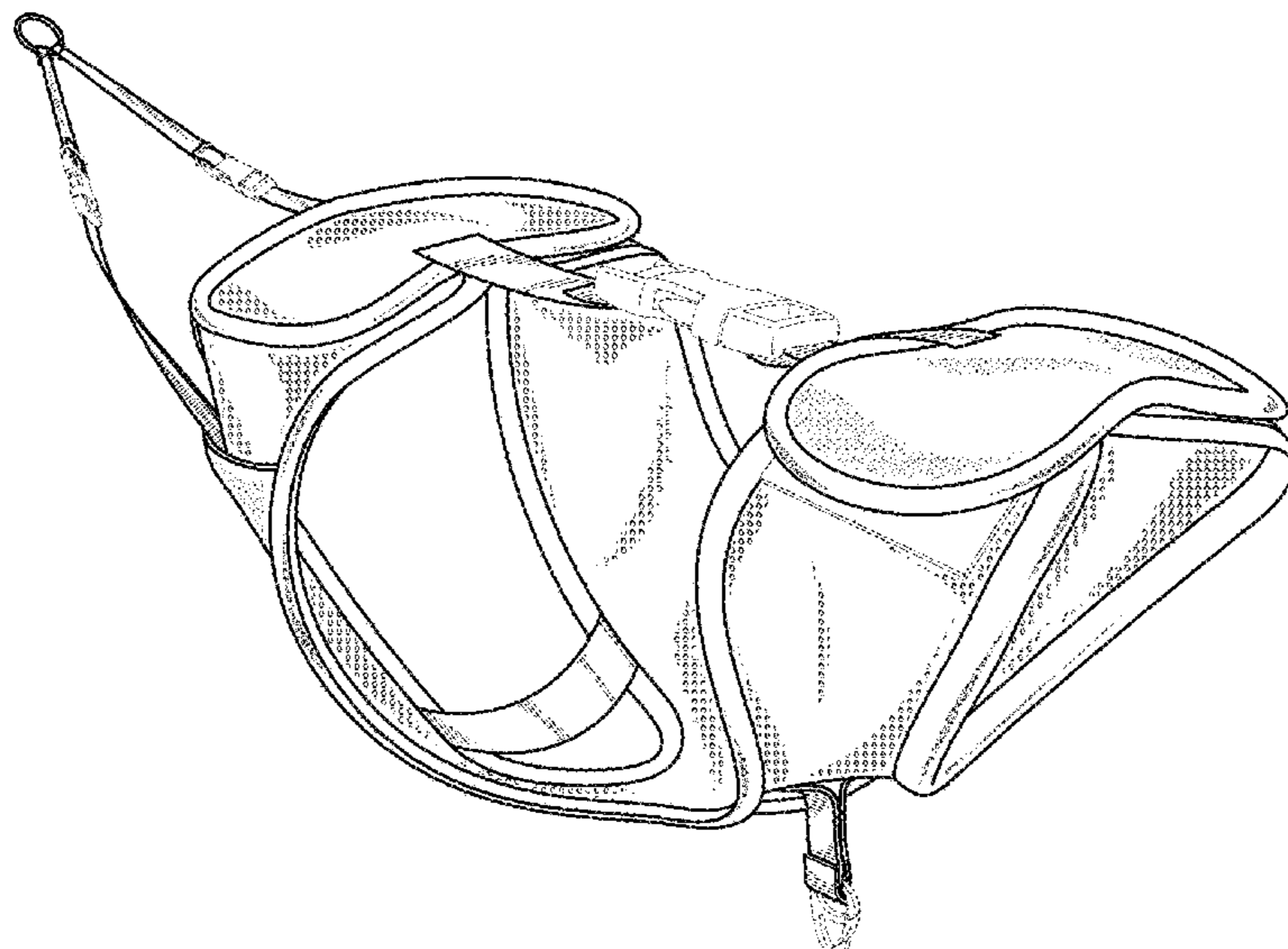
D701,356 S * 3/2014 Troll D30/153

1 Claim, 8 Drawing Sheets

9,301,505 B1 4/2016 Luna

9,301,506 B2 4/2016 Roney, III

(Continued)



(56)

References Cited

U.S. PATENT DOCUMENTS

9,485,965 B2 11/2016 Bentley et al.
 D823,558 S * 7/2018 Fitzpatrick D30/152
 D843,667 S * 3/2019 Eida D30/145
 D883,581 S * 5/2020 Daly D30/152
 D893,812 S * 8/2020 Wu D30/152
 D893,813 S * 8/2020 Zimmermann D30/152
 D896,449 S * 9/2020 Dang D30/152
 D900,413 S * 10/2020 Gonzalez D30/152
 D911,631 S * 2/2021 Stouder D30/152
 D915,002 S * 3/2021 Sebo D30/152
 D918,493 S * 5/2021 Chang D30/152
 11,102,958 B1 * 8/2021 Chang A01K 27/002
 D936,300 S * 11/2021 Wu D30/152
 D940,408 S * 1/2022 Sebö D30/152
 D952,269 S * 5/2022 Chang D30/152
 11,324,201 B1 * 5/2022 Benishai A01K 27/002
 D957,752 S * 7/2022 Ohanian A01K 27/002
 D957,753 S * 7/2022 Akiyama A01K 27/002
 D957,754 S * 7/2022 Chang D30/152
 D964,664 S * 9/2022 Huang D30/152
 D965,234 S * 9/2022 Wang D30/152
 D965,235 S * 9/2022 Jin D30/152
 11,432,533 B2 * 9/2022 Kruse A01K 27/002
 D965,922 S * 10/2022 Wang D30/152
 2013/0128556 A1 * 5/2013 Brauser A01K 27/006
 2015/0114311 A1 4/2015 Lynch 362/108

2019/0269101 A1 9/2019 Vesley
 2021/0307295 A1 10/2021 Rooney
 2022/0201982 A1* 6/2022 Elam A01K 27/008

FOREIGN PATENT DOCUMENTS

EP 0555588 8/1993
 FR 2908267 5/2008
 KR 300889341 * 1/2017
 KR 20180102519 9/2018
 KR 3020200039525 * 7/2021

OTHER PUBLICATIONS

PETEXPERTISE; Article entitled: "Halti Harness No Pull Harness, Multi functional and with Padding", located at <<https://www.petexpertise.com/halti-front-attachment-no-pull-harness/>>, accessed on Apr. 10, 2020, 4 pgs.
 Rakuten, Inc.; Article entitled: "The choice of the pulling prevention lead!", publicly available prior to Apr. 1, 2020, 1 pg. amazon.com; Article entitled: KONG Control Training Harness (Medium), located at <<https://www.amazon.com/KONG-Control-Training-Harness-Medium/dp/B06XC6962W>>, accessed on Apr. 10, 2020, 5 pgs.
 Rooney, Andrew J.; Non-Final Office Action for U.S. Appl. No. 17/189,055, filed Mar. 1, 2021, dated Sep. 9, 2022, 19 pgs.

* cited by examiner

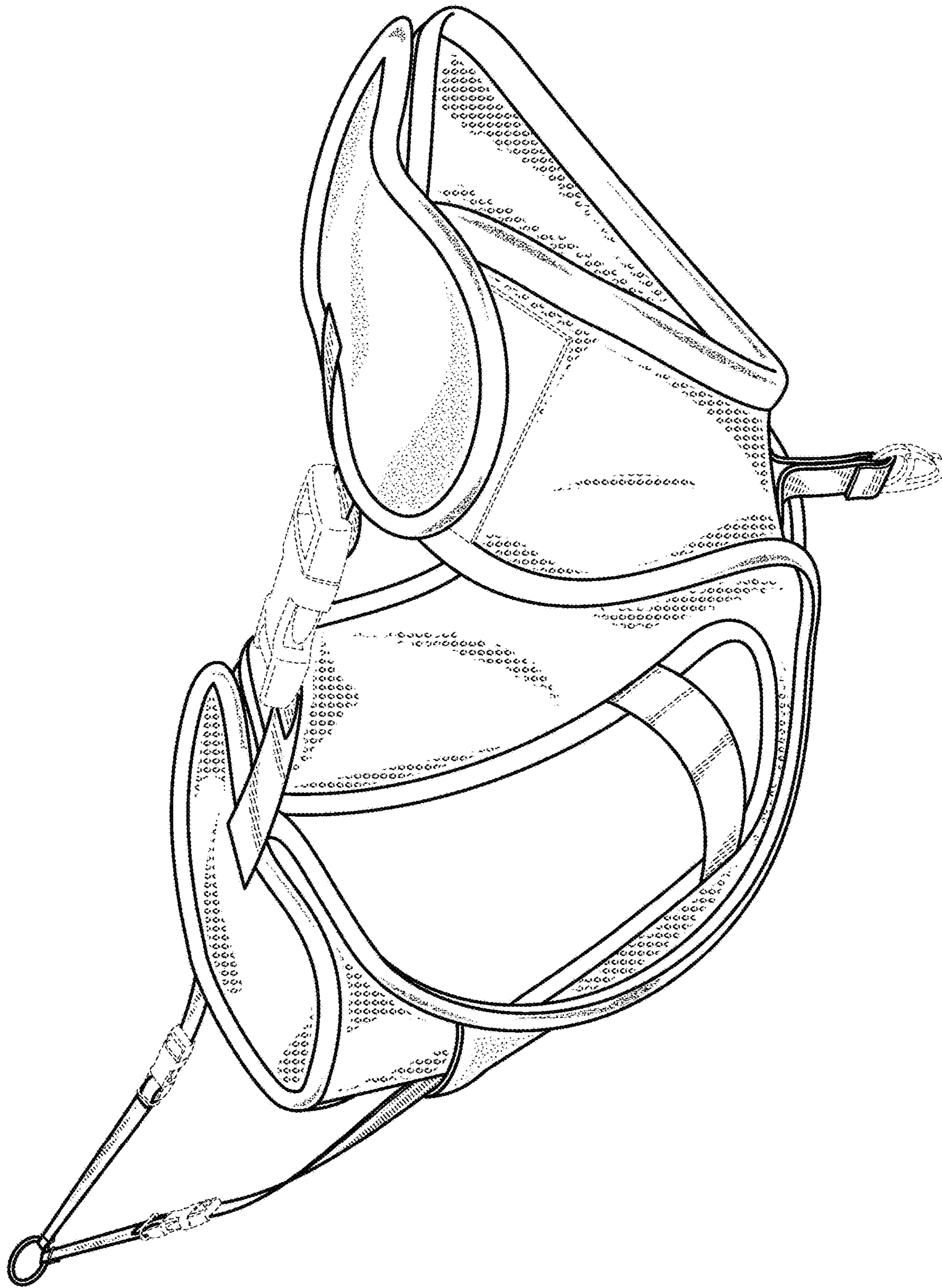


FIG. 1

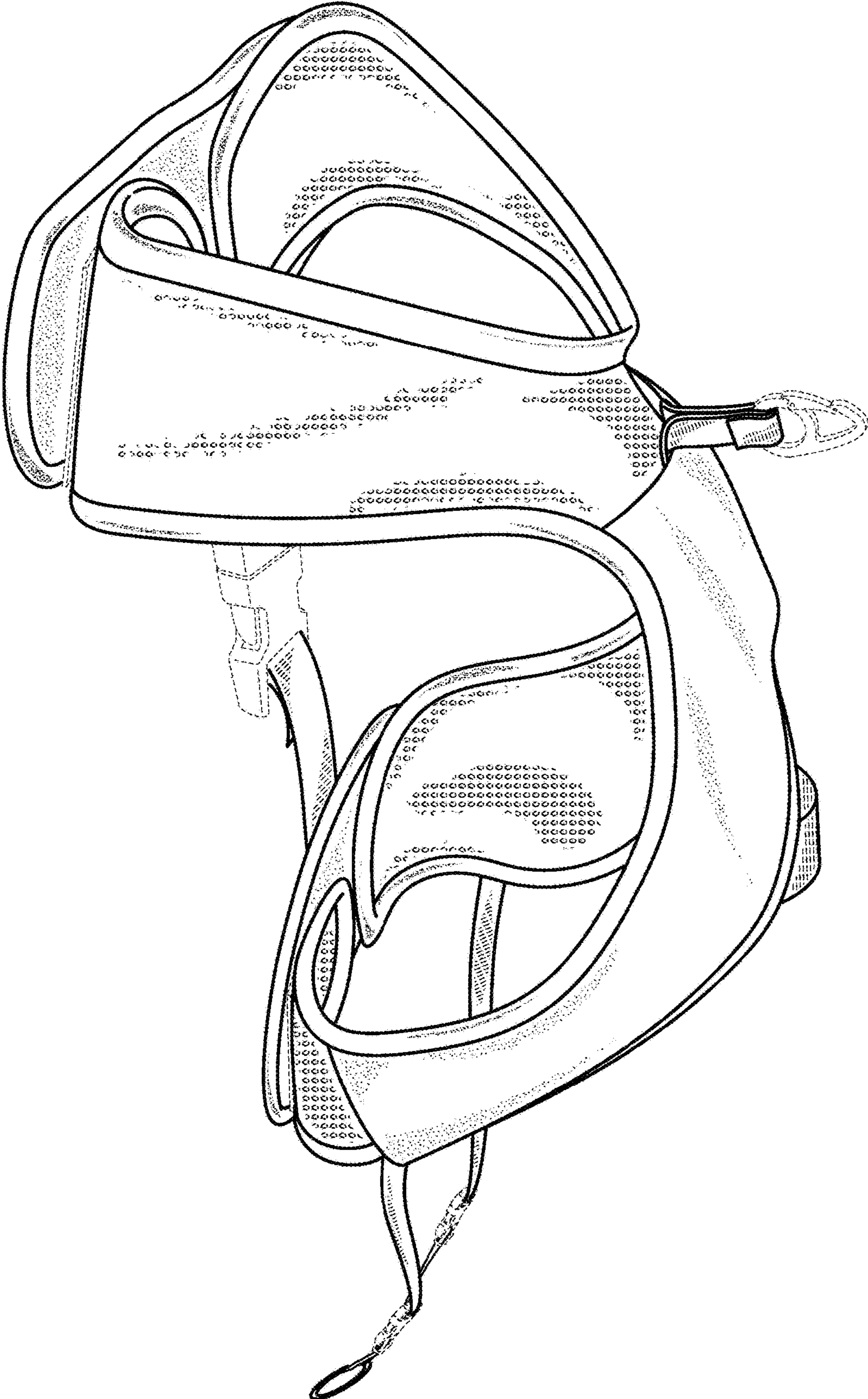


FIG. 2

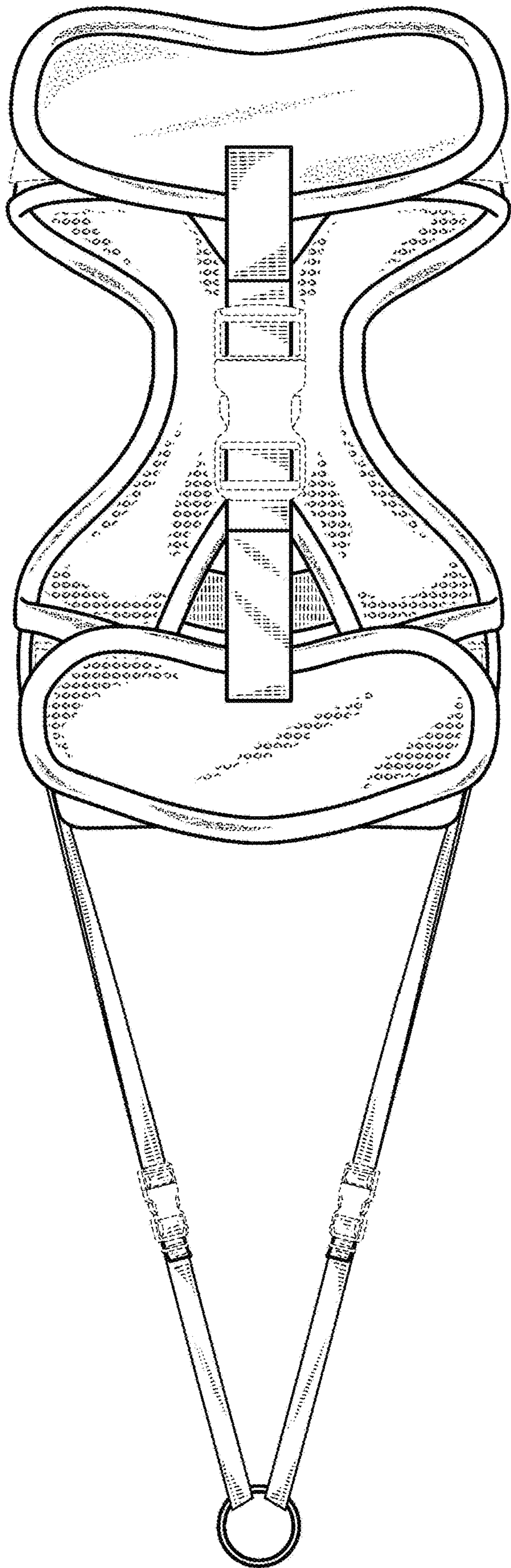


FIG. 3

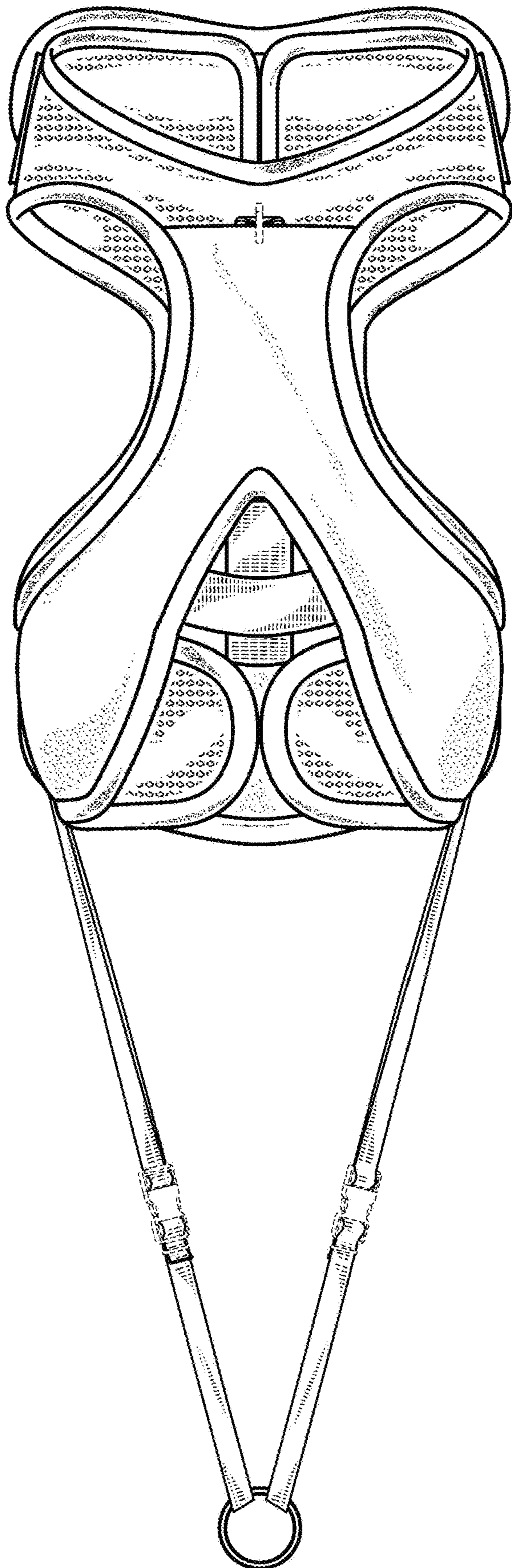


FIG. 4

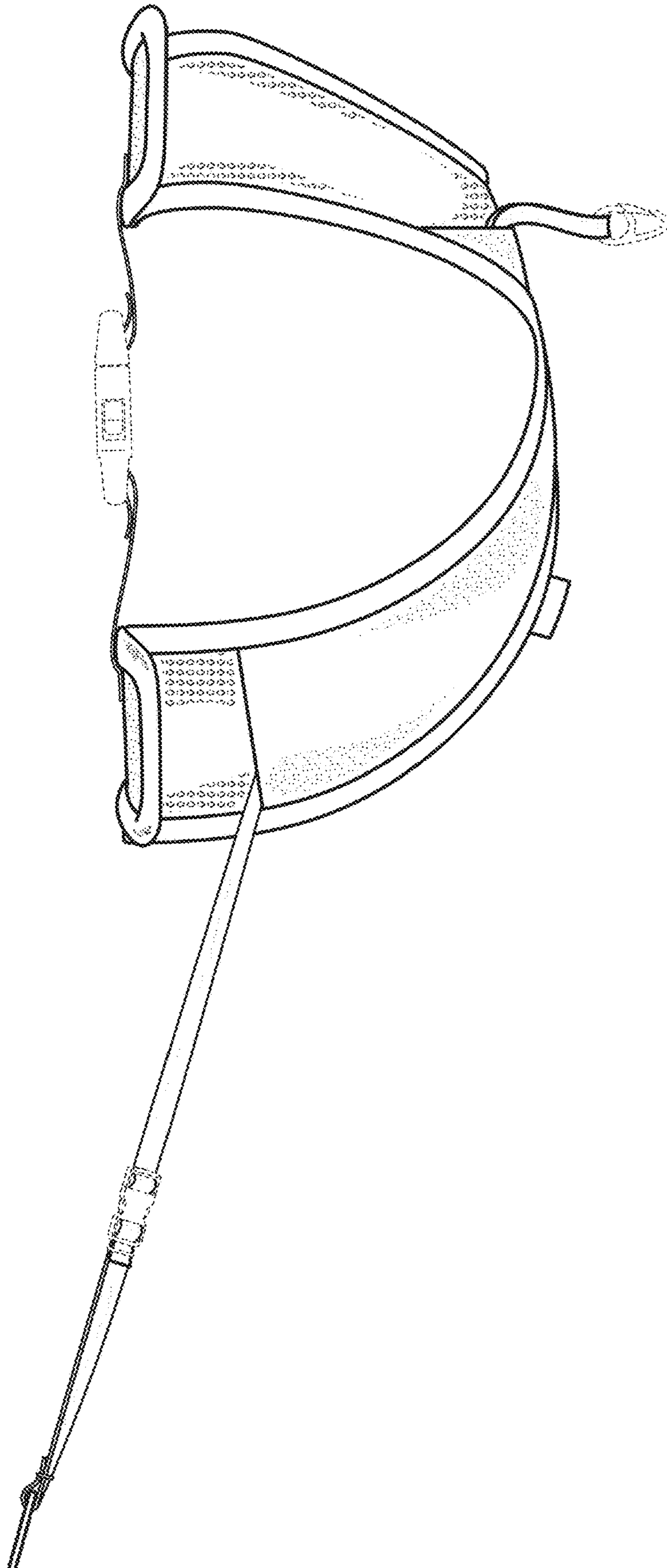


FIG. 5

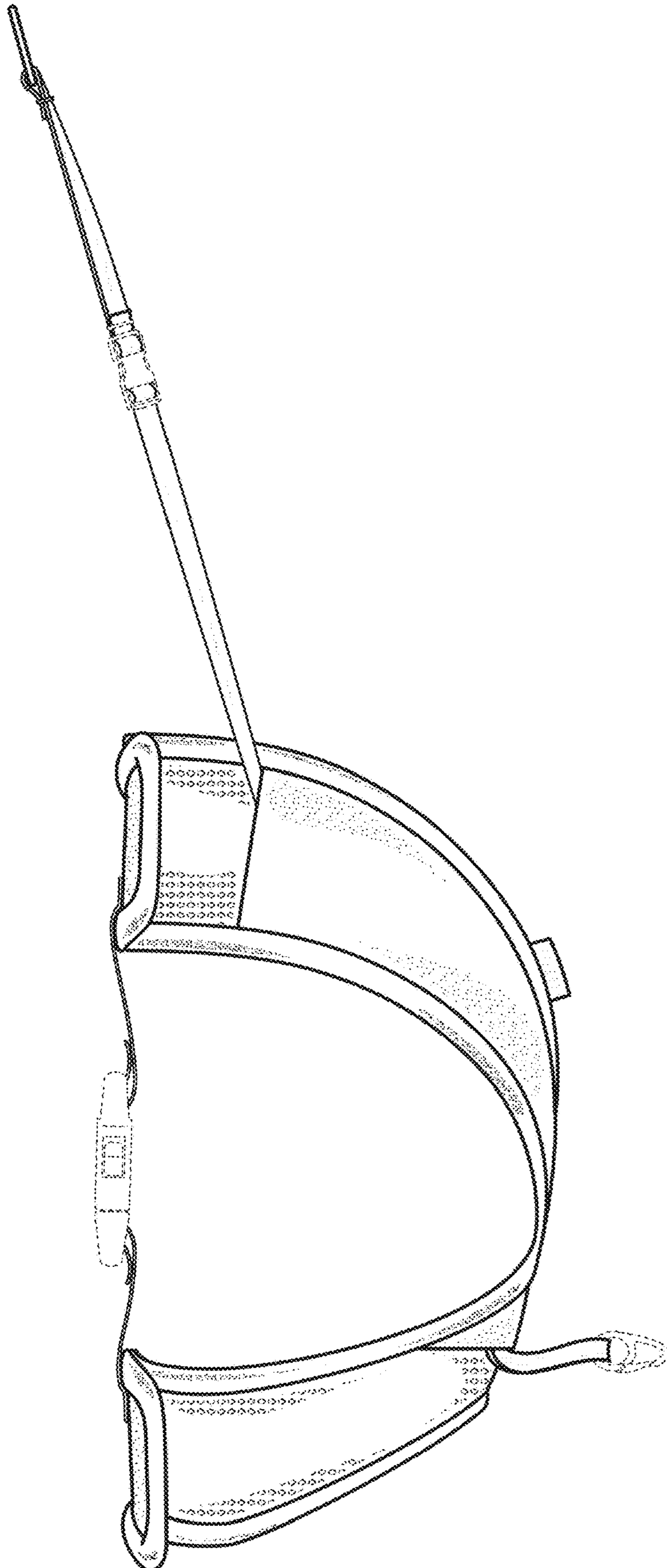


FIG. 6

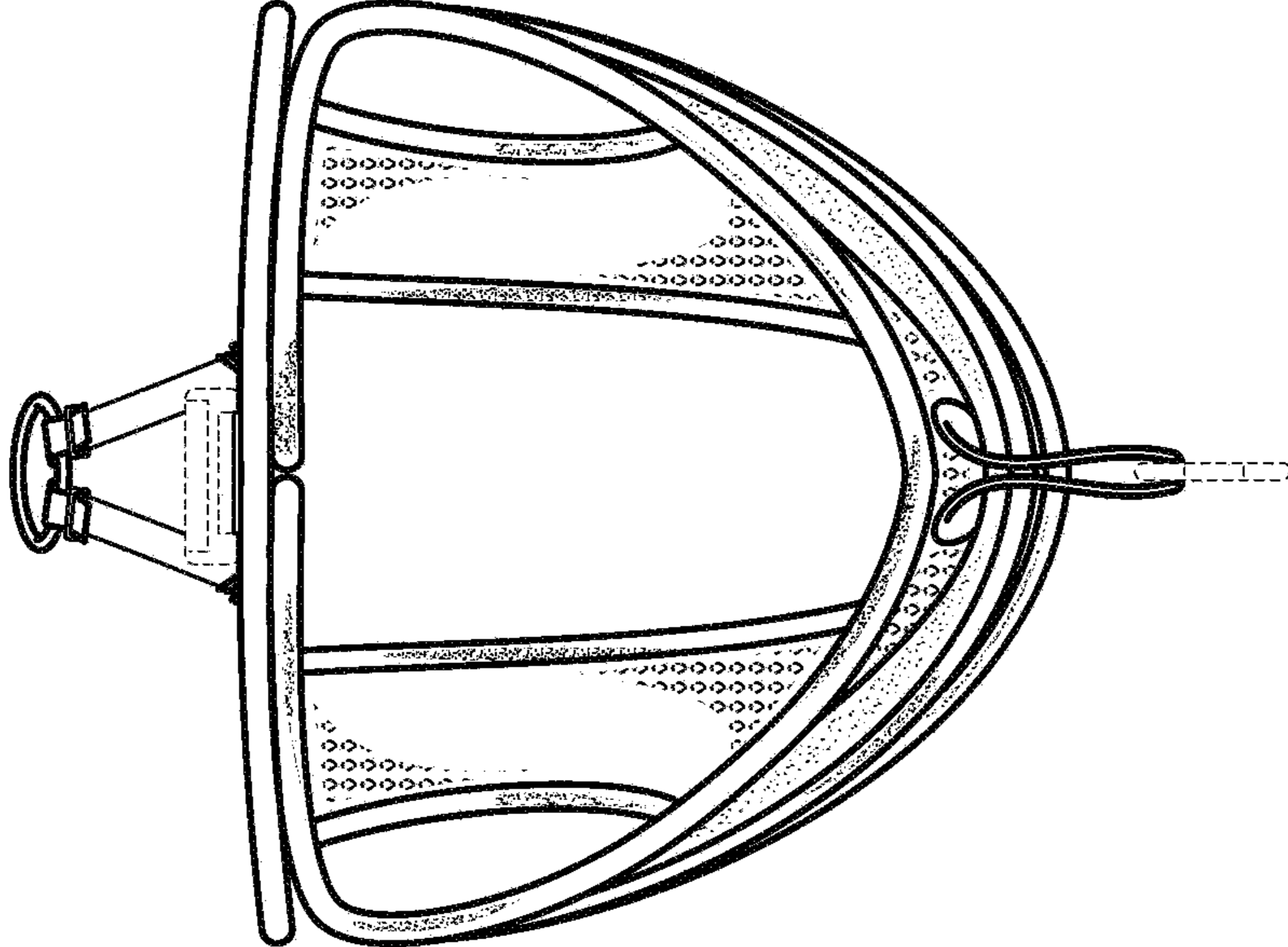


FIG. 7

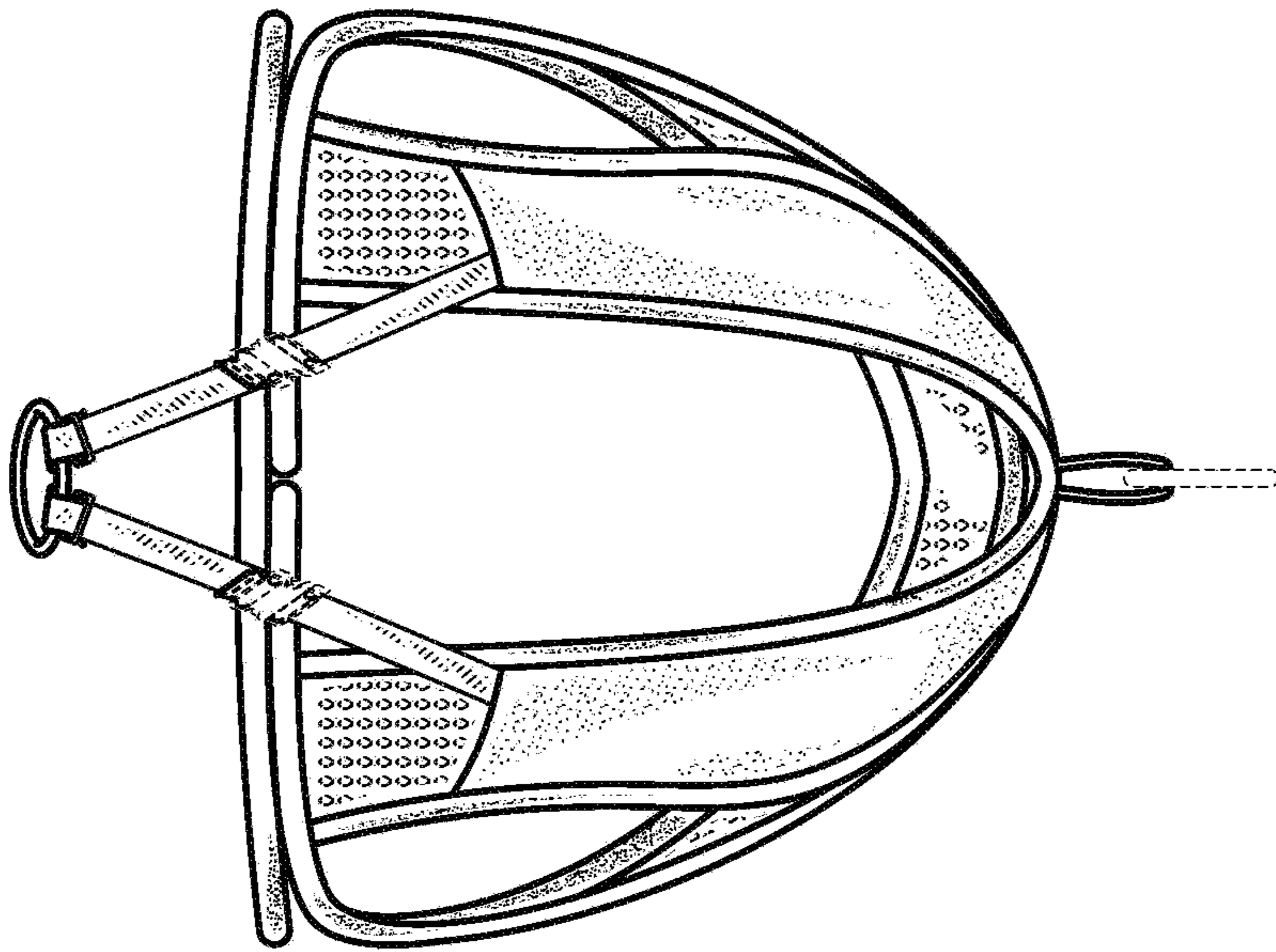


FIG. 8