



US00D979157S

(12) **United States Design Patent** (10) **Patent No.:** **US D979,157 S**  
**Bates** (45) **Date of Patent:** **\*\* Feb. 21, 2023**

(54) **STIRRUP LEATHER FOR AN EQUESTRIAN SADDLE**

D418,274 S \* 1/2000 Sartel ..... D2/624  
D428,237 S \* 7/2000 Murdock ..... D2/627  
D872,969 S \* 1/2020 Stewart ..... D3/226  
D917,109 S \* 4/2021 Baghai ..... D30/134

(71) Applicant: **Hammersmith Nominees Pty Ltd,**  
West Perth (AU)

(72) Inventor: **Ronald Gordon Bates,** West Perth  
(AU)

(73) Assignee: **Hammersmith Nominees Pty Ltd,**  
West Perth (AU)

(\*\*) Term: **15 Years**

(21) Appl. No.: **29/707,062**

(22) Filed: **Sep. 25, 2019**

(30) **Foreign Application Priority Data**

Mar. 25, 2019 (AU) ..... 201911618

(51) **LOC (14) Cl.** ..... **30-01**

(52) **U.S. Cl.**  
USPC ..... **D30/134**

(58) **Field of Classification Search**  
USPC ..... D2/627, 628, 629, 633; D30/134-142,  
D30/152

CPC ..... B68C 1/16; B68C 3/00  
See application file for complete search history.

(56) **References Cited**

**U.S. PATENT DOCUMENTS**

1,335,826 A \* 4/1920 Lio ..... B68C 1/16  
54/46.2  
2,661,888 A \* 12/1953 Sidlinger ..... A62B 35/0031  
D30/152  
D346,482 S \* 5/1994 Merrill ..... D2/627  
D360,452 S \* 7/1995 Gessler ..... D8/382  
D399,635 S \* 10/1998 Knight ..... D30/152

**OTHER PUBLICATIONS**

22mm NATO Straps—leather reinforced holes on MyWatchMart  
Nov. 15, 2019, Mar. 17, 2022. Available at URL: <https://www.mywatchmart.com/listing/429438-22mm-nato-straps-leather-reinforced-holes/>.\*

Synthetic Stirrup Leathers on sstack.com SCHNEIDERS. Reviews  
dating back 10 years, 2012. Mar. 17, 2022. Available at URL:  
<https://www.sstack.com/synthetic-stirrup-leathers/p/16759/>.\*

\* cited by examiner

*Primary Examiner* — Jennifer L Watkins

(74) *Attorney, Agent, or Firm* — Banner & Witcoff, Ltd.

(57) **CLAIM**

The ornamental design for a stirrup leather for an equestrian  
saddle, as shown and described.

**DESCRIPTION**

FIG. 1 is a front top perspective view of a stirrup leather for  
an equestrian saddle showing my new design;

FIG. 2 is a rear bottom perspective view thereof;

FIG. 3 is a top view thereof;

FIG. 4 is a bottom view thereof;

FIG. 5 is a side view thereof;

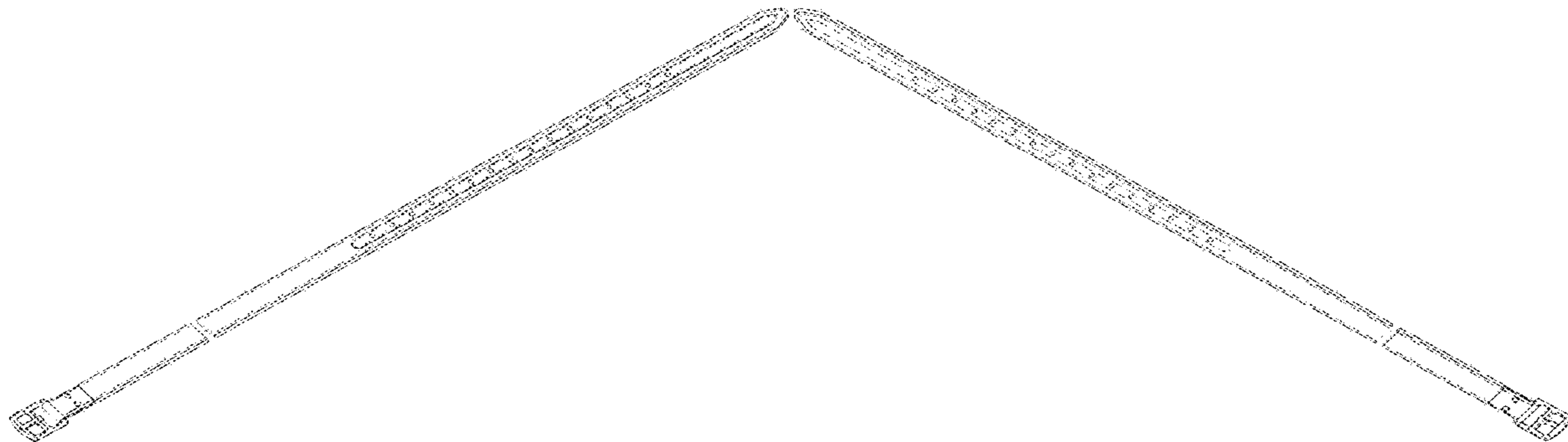
FIG. 6 is an opposite side view thereof;

FIG. 7 is an enlarged front view thereof; and,

FIG. 8 is an enlarged rear view thereof.

The even-length broken lines represent stitching which form  
no part of the claimed design. The stirrup leather for an  
equestrian saddle is shown with a symbolic break in its  
length. The appearance of any portion of the article between  
the break lines forms no part of the claim.

**1 Claim, 4 Drawing Sheets**



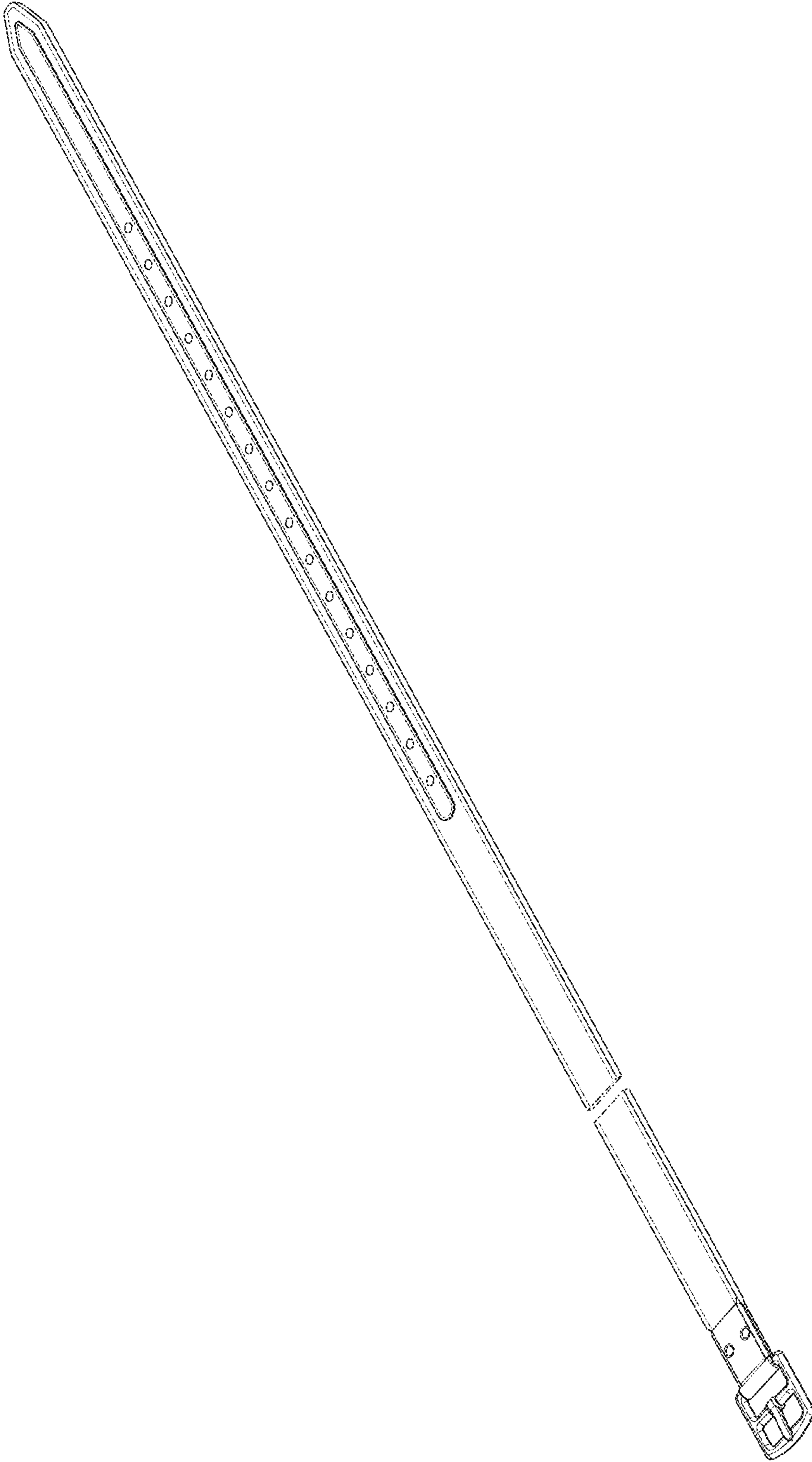


FIG. 1

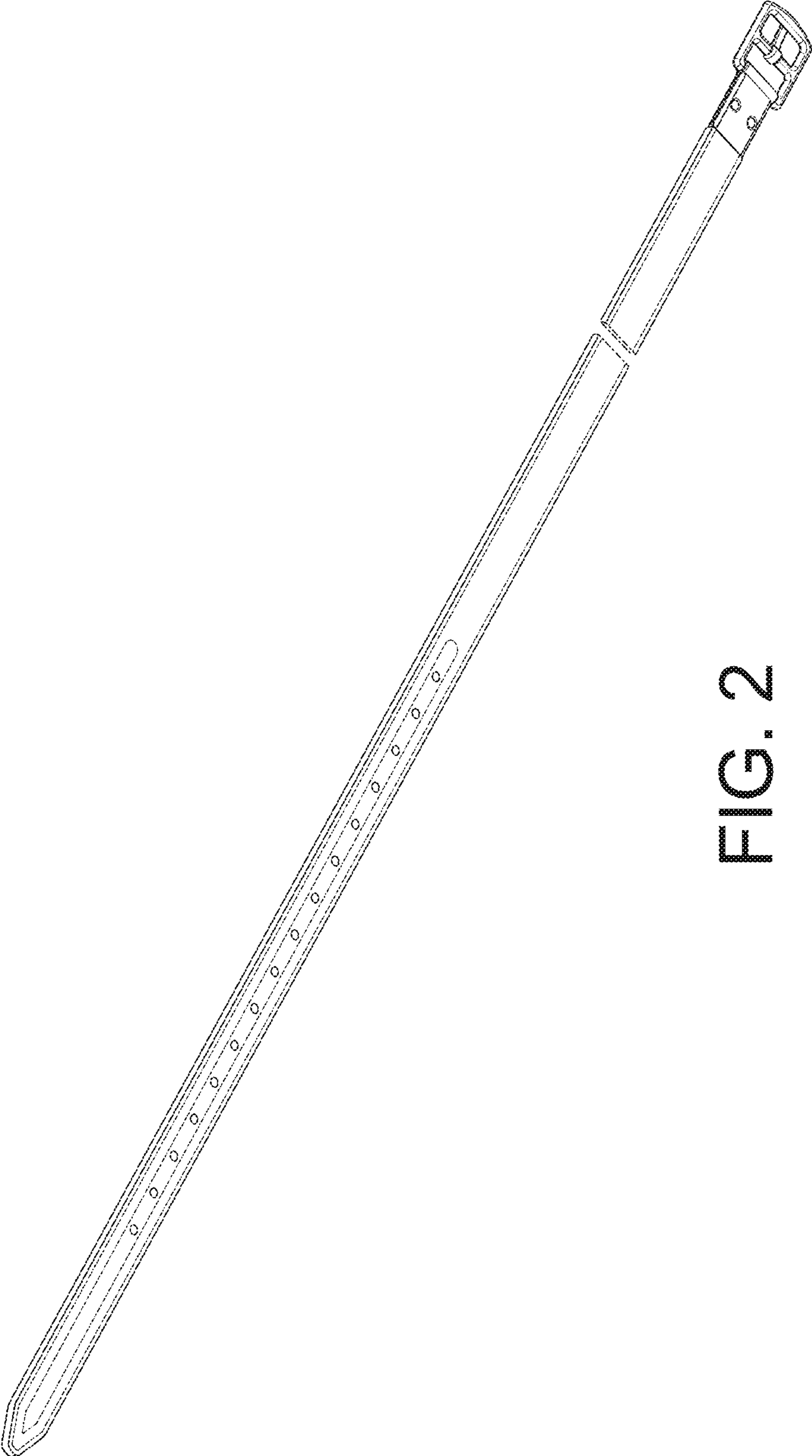


FIG. 2

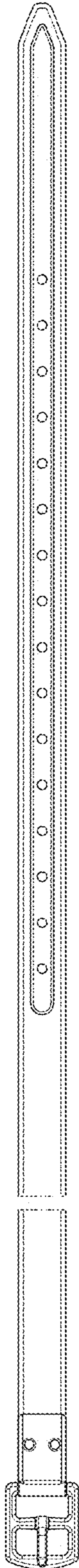


FIG. 3

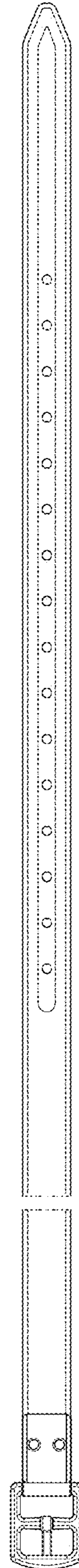


FIG. 4



FIG. 5

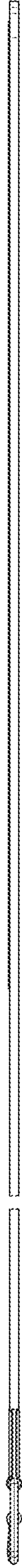


FIG. 6

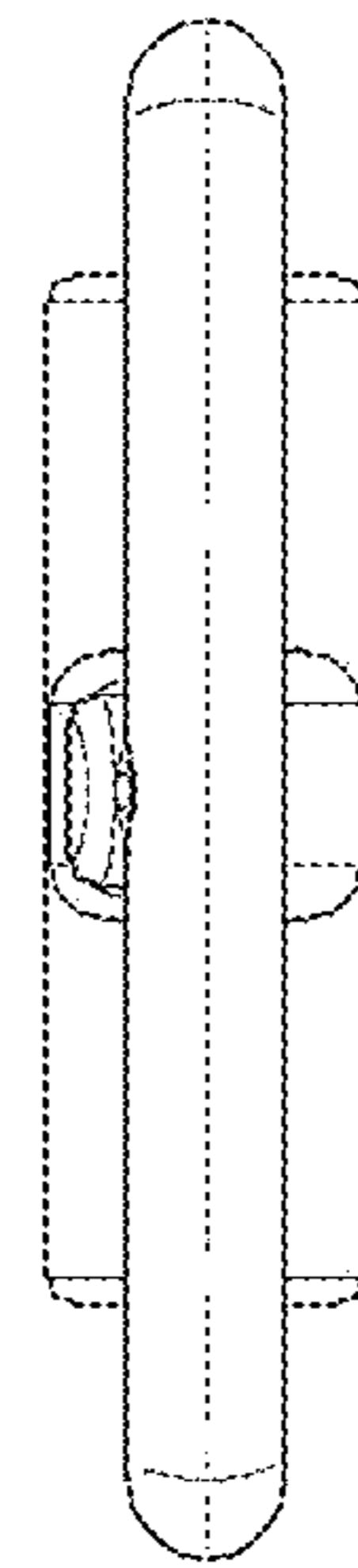


FIG. 7

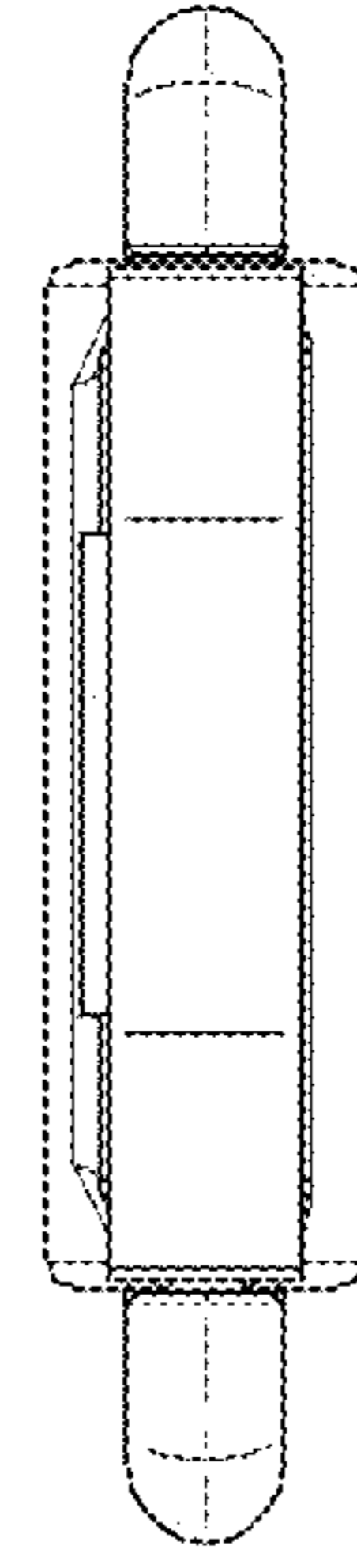


FIG. 8