



US00D979153S

(12) **United States Design Patent**
Dai

(10) **Patent No.:** **US D979,153 S**

(45) **Date of Patent:** **** Feb. 21, 2023**

(54) **FEEDER**

(71) Applicant: **Liangqi Dai**, Fuzhou (CN)

(72) Inventor: **Liangqi Dai**, Fuzhou (CN)

(**) Term: **15 Years**

(21) Appl. No.: **29/857,766**

(22) Filed: **Oct. 25, 2022**

(51) **LOC (14) Cl.** **30-03**

(52) **U.S. Cl.**
USPC **D30/131; D30/121**

(58) **Field of Classification Search**
USPC D30/119, 121-133, 199
CPC A01K 5/0135; A01K 5/01; A01K 5/0225;
A01K 39/012; A01K 39/014
See application file for complete search history.

(56) **References Cited**

U.S. PATENT DOCUMENTS

2,839,028	A *	6/1958	Routh	A01K 5/0225
					119/77
3,191,579	A *	6/1965	Oliver	A01K 39/014
					D30/124
D232,565	S *	8/1974	Rosenberg	119/165
D249,898	S *	10/1978	Chaires	D30/129
D282,017	S *	12/1985	Meyer	D30/124
D487,535	S *	3/2004	Wang	D30/122
D524,491	S *	7/2006	Baehrle	D30/133
D704,384	S *	5/2014	Worsley	D30/121
D719,705	S	12/2014	Hill		
D743,113	S	11/2015	Hill		
9,480,239	B2 *	11/2016	Worsley	A01K 5/01
D774,834	S *	12/2016	Breit	D7/587
D957,751	S *	7/2022	Huang	D30/131
D960,464	S *	8/2022	Zhong	D30/131
2017/0245474	A1 *	8/2017	Biggin	A01K 39/0213

FOREIGN PATENT DOCUMENTS

EM 008585830-0001 * 7/2021
EM 015006209-0004 * 12/2022

OTHER PUBLICATIONS

Rain Proof Chicken Feeder No Waste 4Pcs, dated Jun. 15, 2022, amazon.com [online]. Retrieved Dec. 17, 2022 from internet <URL: https://www.amazon.com/Chicken-Poultry-Automatic-Stopper-Reusable/dp/B0B45FLDFJ/?th=1> (Year: 2022).*

RentACoop Chi2Chicken 10lb Feeder and 2 Gal Waterer Set, dated Aug. 16, 2022, amazon.com [online]. Retrieved Dec. 17, 2022 from internet <URL: https://www.amazon.com/dp/B0B4PJ7BMG/> (Year: 2022).*

RentACoop Chick2Chicken 10lb 4-Port Feeder, dated Sep. 10, 2022, amazon.com [online]. Retrieved Dec. 17, 2022 from internet <URL: https://www.amazon.com/RentACoop-Chick2Chicken-4-Port-Feeder-Chickens/dp/B0B6WJNMNB> (Year: 2022).*

(Continued)

Primary Examiner — Andrew T Nemeth
(74) *Attorney, Agent, or Firm* — ScienBiziP, P.C.

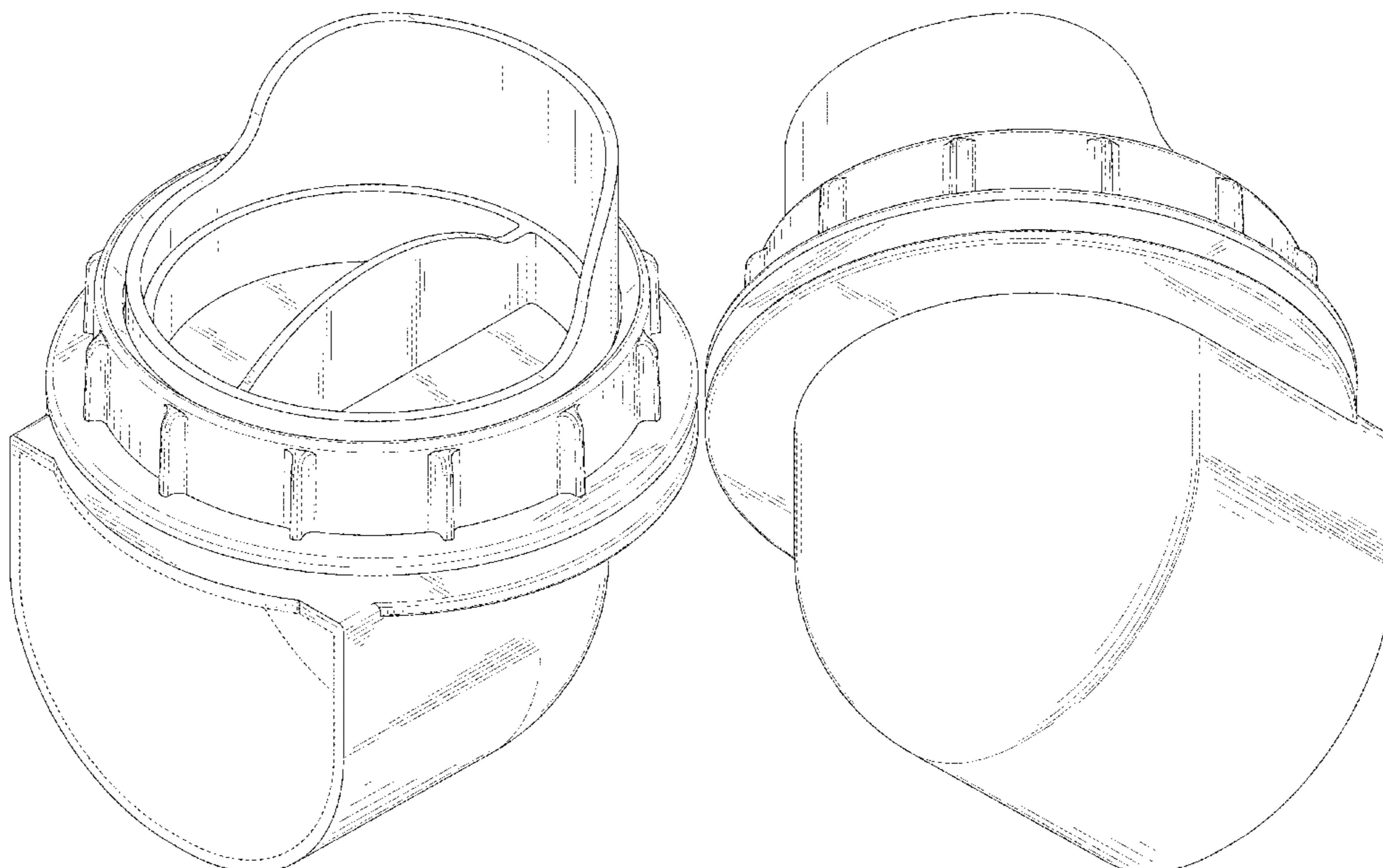
(57) **CLAIM**

The ornamental design for a feeder, as shown and described.

DESCRIPTION

FIG. 1 is a front, right and top perspective view of a feeder, showing my design.
FIG. 2 is a rear, left and bottom perspective view thereof.
FIG. 3 is a front elevation view thereof.
FIG. 4 is a rear elevation view thereof.
FIG. 5 is a left side elevation view thereof.
FIG. 6 is a right side elevation view thereof.
FIG. 7 is a top plan view thereof; and,
FIG. 8 is a bottom plan view thereof.
The broken lines depict portions of the feeder that form no part of the claimed design.

1 Claim, 8 Drawing Sheets



(56)

References Cited

OTHER PUBLICATIONS

18Pcs DIY Chicken Feeder and Waterer Set, dated Oct. 17, 2022, amazon.com [online]. Retrieved Dec. 17, 2022 from internet <URL: <https://www.amazon.com/dp/B0BJTPTF9V/>> (Year: 2022).*

ZenxyHoC DIY Chicken Feeders No Waste, dated Oct. 21, 2022, amazon.com [online]. Retrieved Dec. 17, 2022 from internet <URL: <https://www.amazon.com/dp/B09ZY9D5M6/>> (Year: 2022).*

* cited by examiner

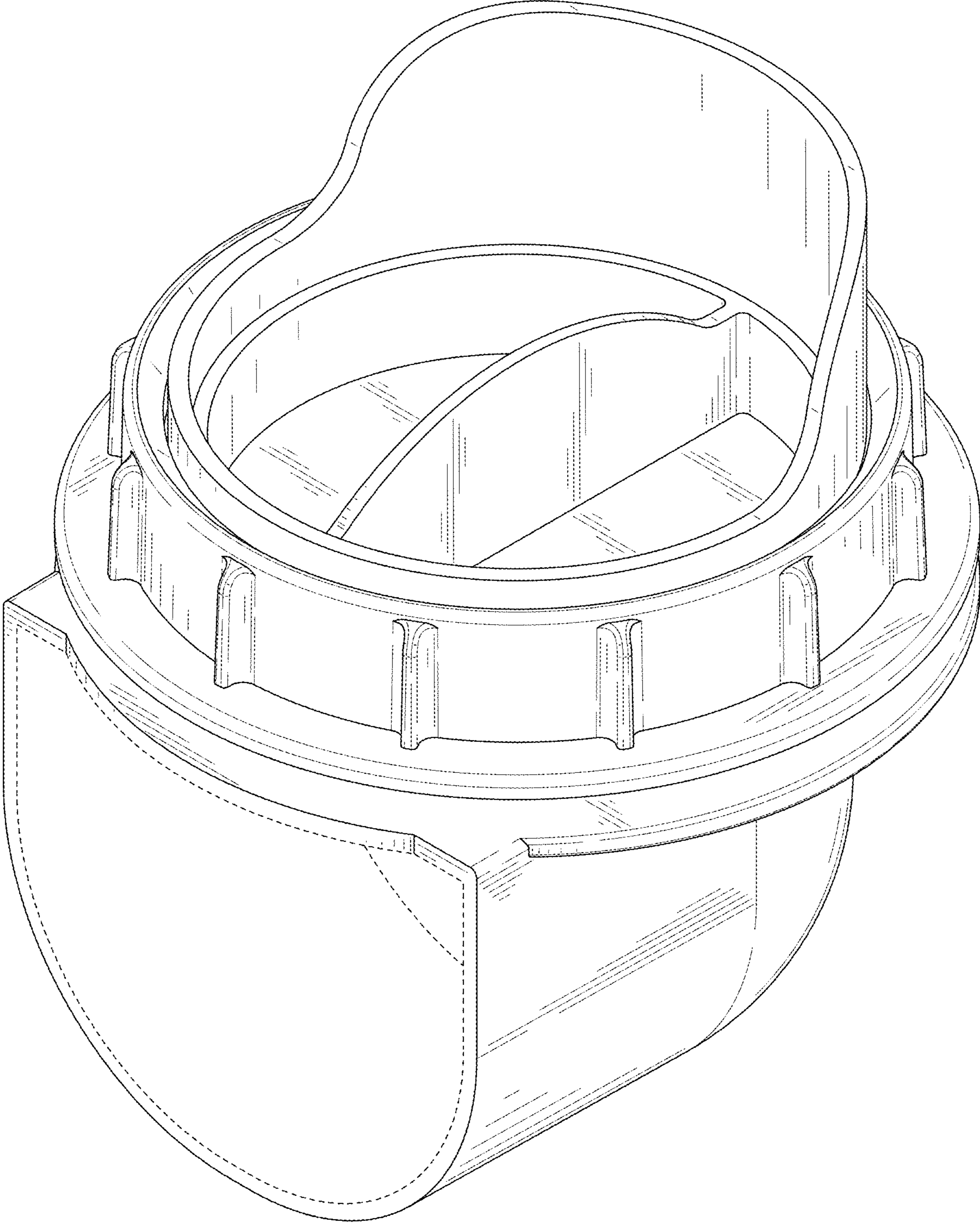


FIG. 1

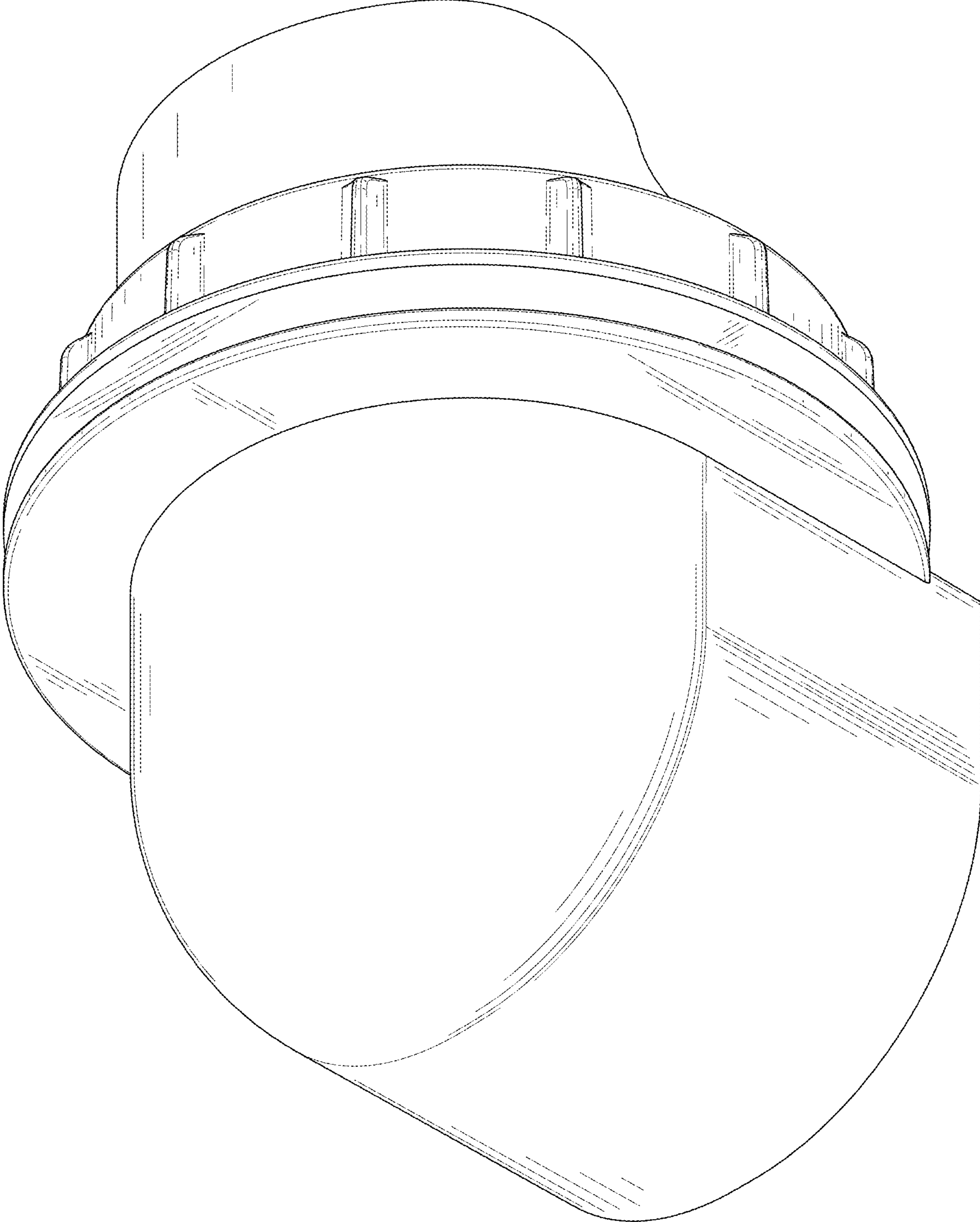


FIG. 2

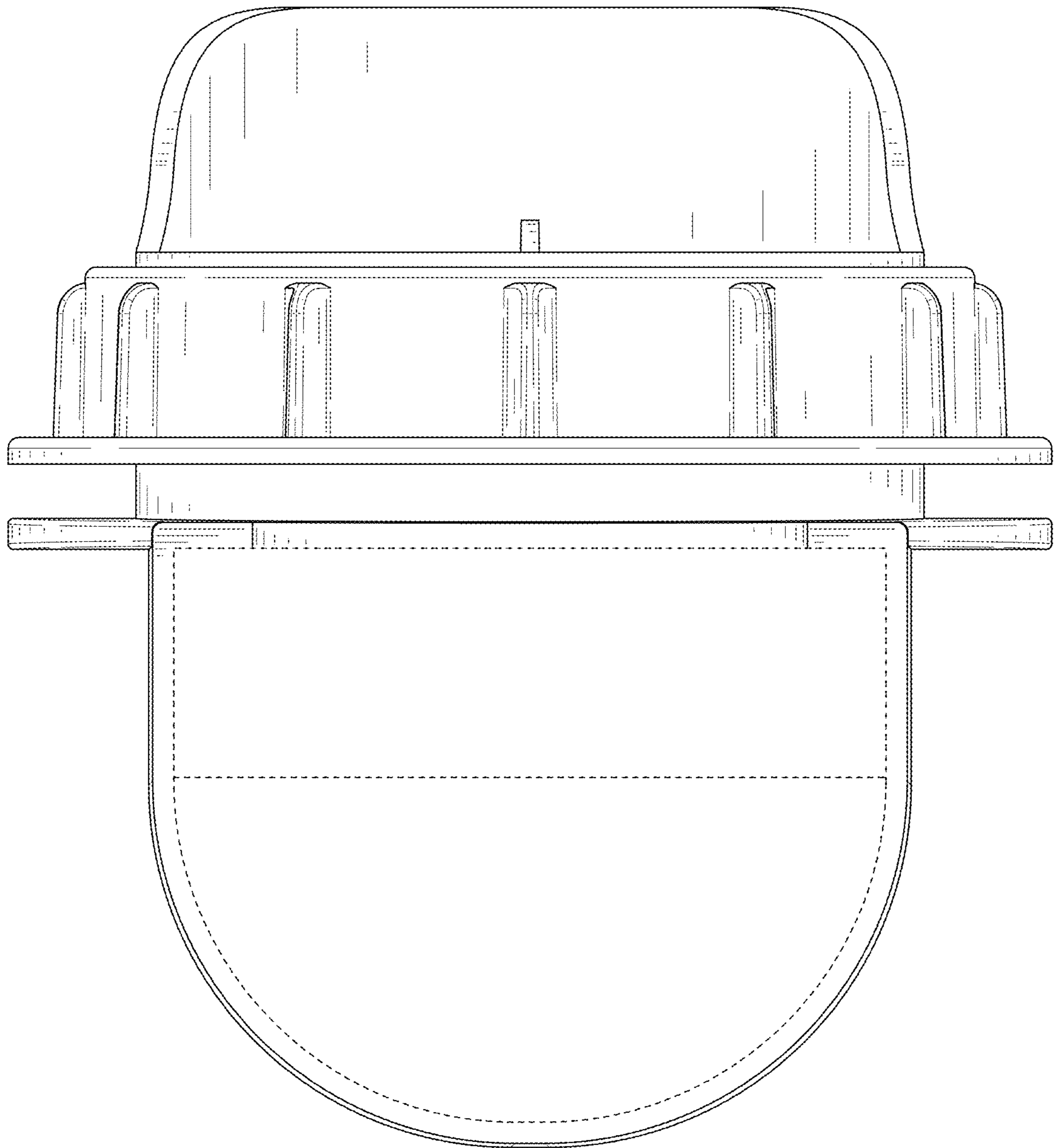


FIG. 3

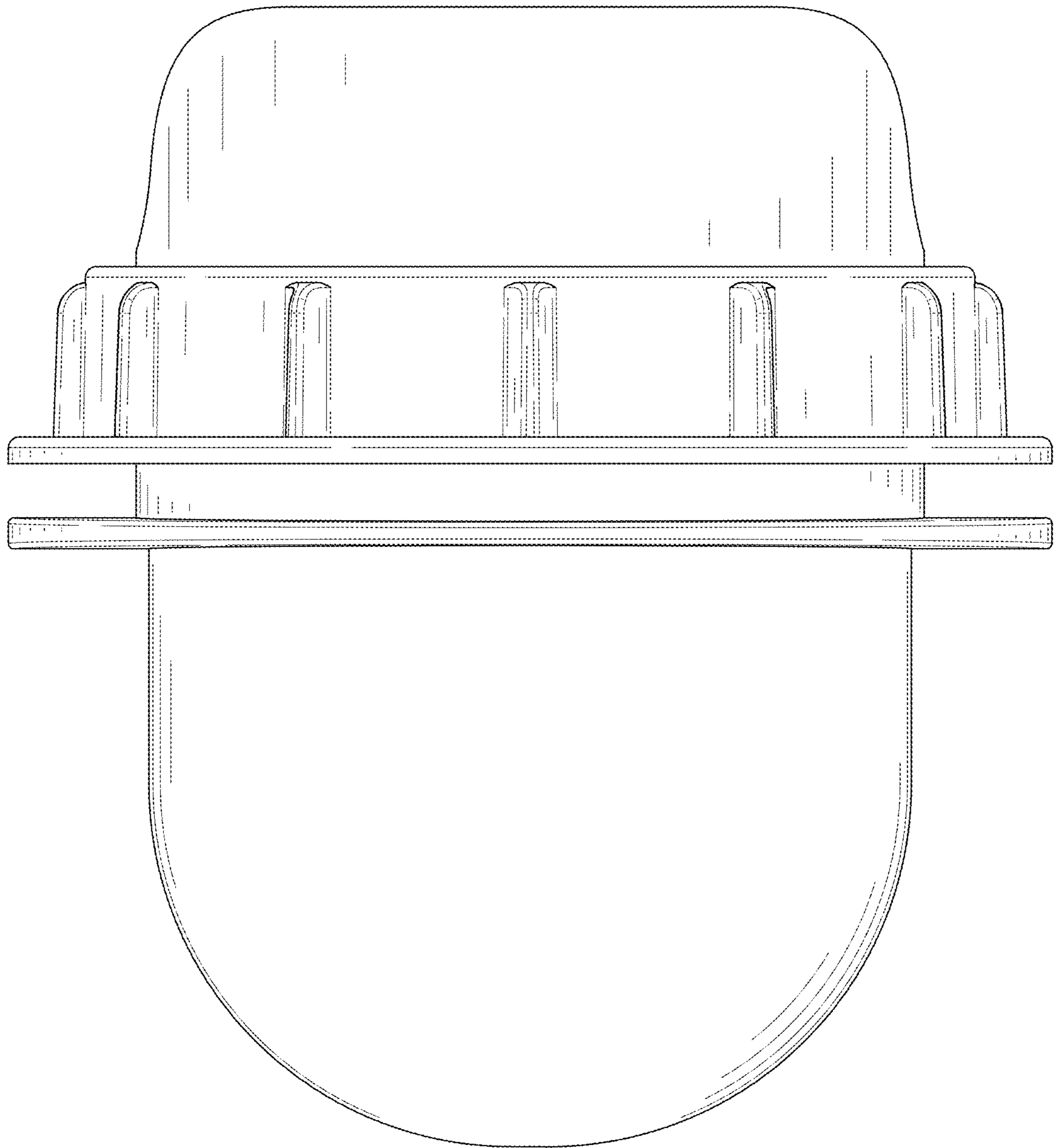


FIG. 4

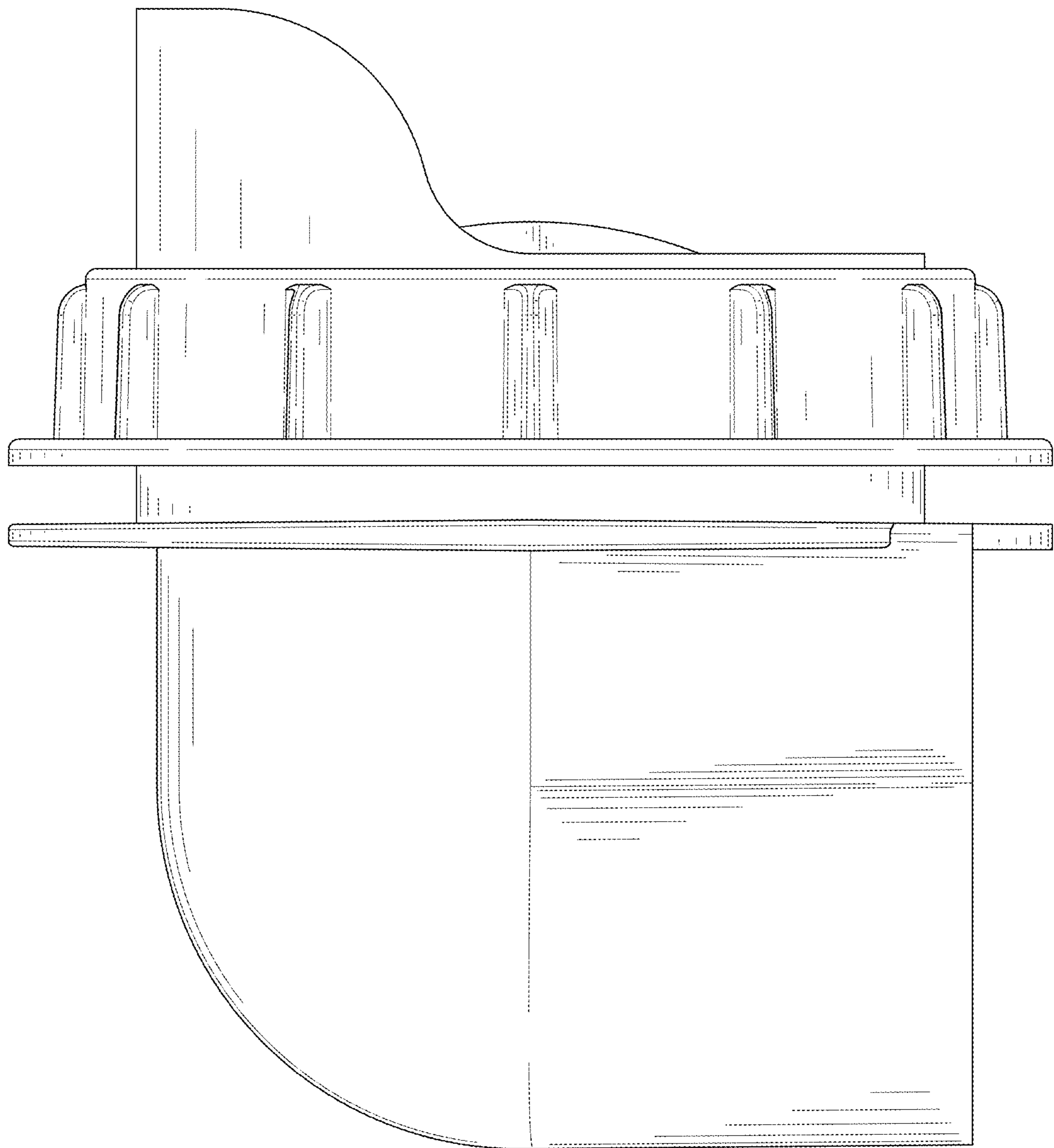


FIG. 5

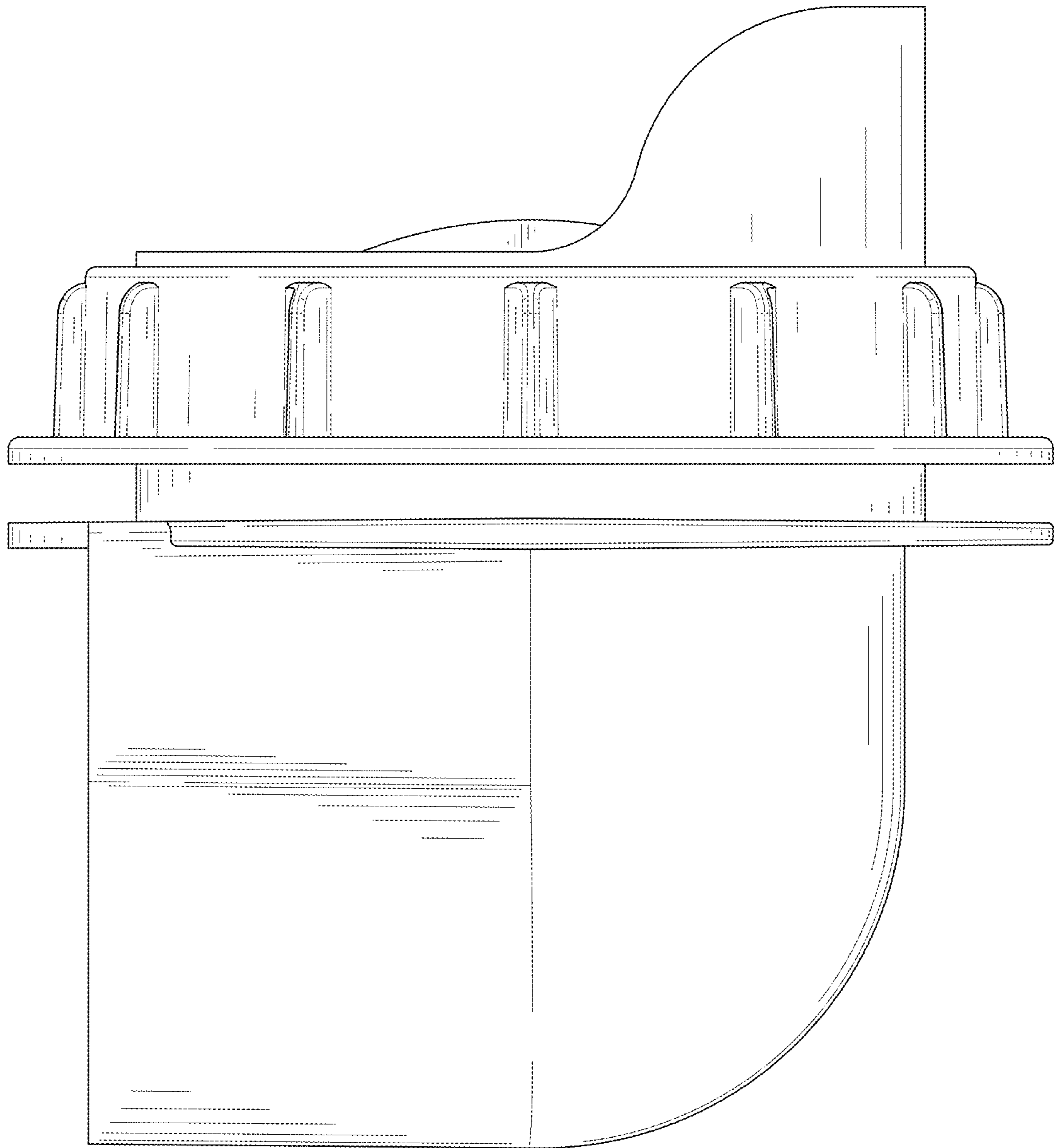


FIG. 6

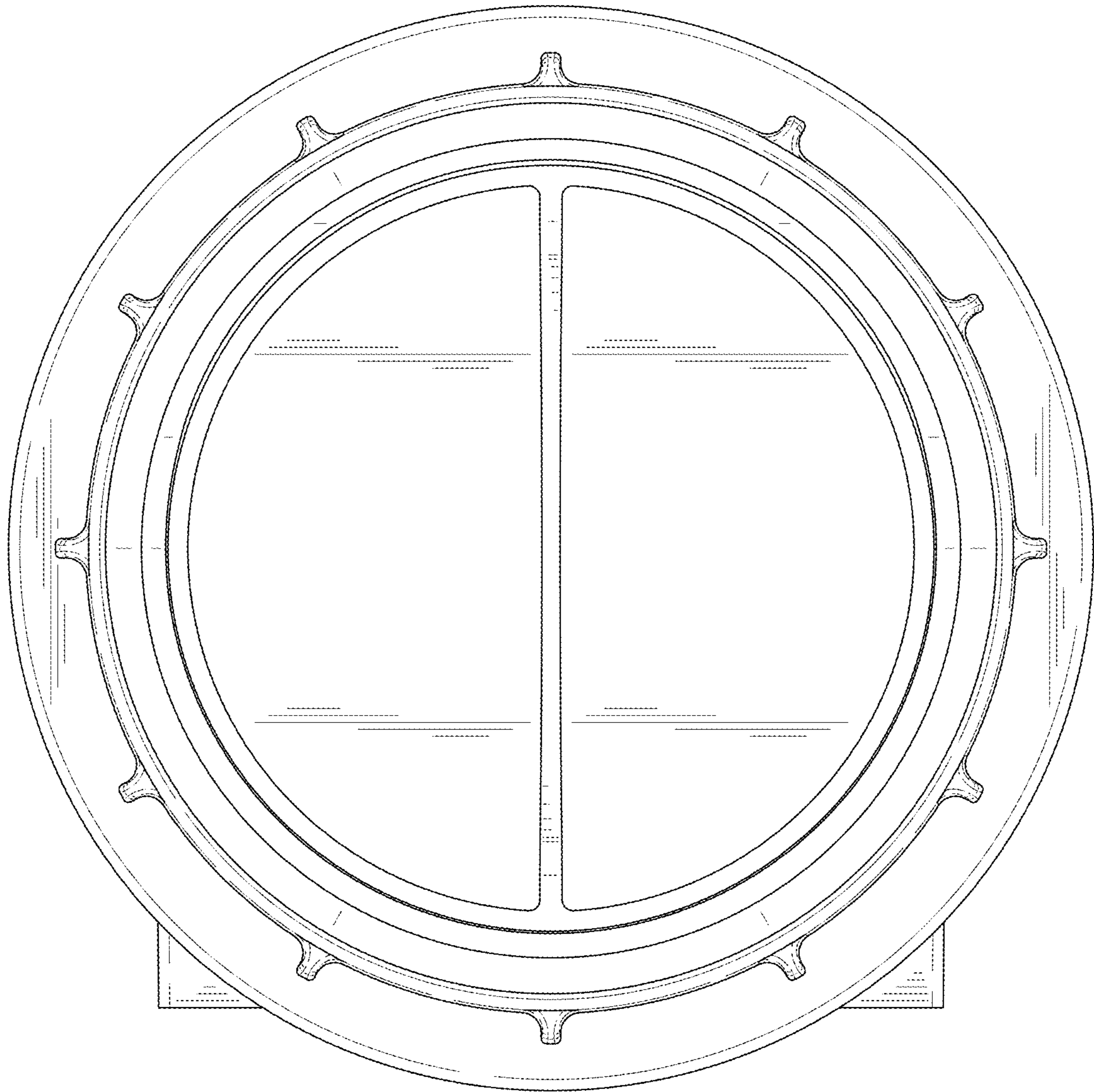


FIG. 7

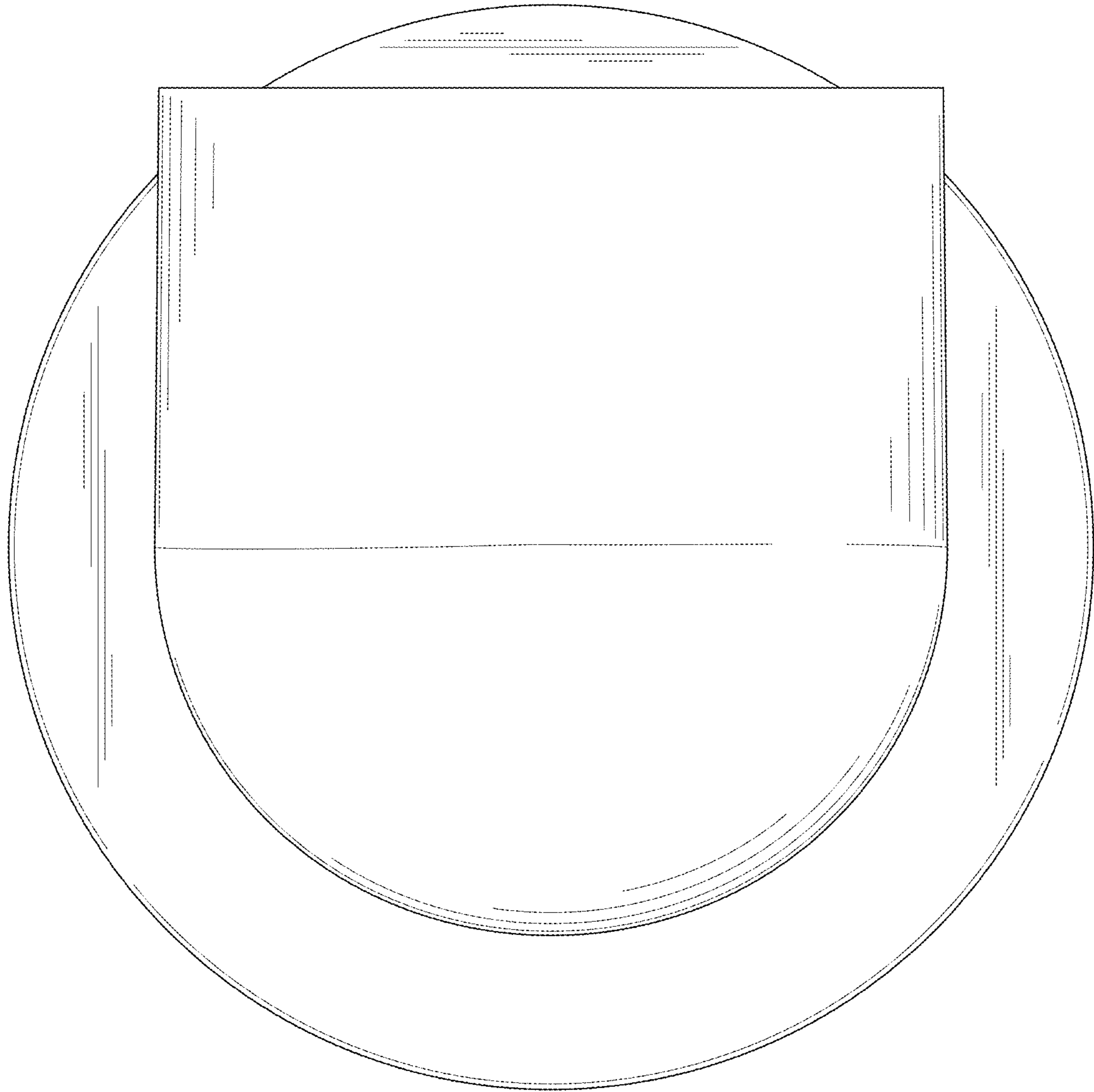


FIG. 8