

US00D979152S

(12) **United States Design Patent**
Nie

(10) **Patent No.:** **US D979,152 S**

(45) **Date of Patent:** **** Feb. 21, 2023**

(54) **PET FEEDING BOWL**

(71) Applicant: **ShenZhen TOP Technology Co., LTD.,**
Shenzhen (CN)

(72) Inventor: **Junqing Nie**, Shenzhen (CN)

(73) Assignee: **ShenZhen TOP Technology Co., LTD.,**
Shenzhen (CN)

(**) Term: **15 Years**

(21) Appl. No.: **29/780,440**

(22) Filed: **Apr. 24, 2021**

(51) **LOC (14) Cl.** **30-03**

(52) **U.S. Cl.**
USPC **D30/129**

(58) **Field of Classification Search**
USPC D30/119, 121, 123, 129, 130, 131, 132,
D30/133, 160, 199; D7/500, 509, 510,
D7/550.1, 553.2, 553.3, 553.6, 553.7,
D7/554.2, 554.3, 554.4, 557, 558, 559,
D7/565, 584, 586, 587, 588, 589, 354,
D7/603, 610, 629; D11/143, 152;
D24/107, 121, 123; D9/721, 431;
D6/656.11, 675.4, 676.4
CPC .. A01K 1/0356; A01K 5/0107; A01K 5/0114;
A01K 5/0121; A01K 5/0128; A01K
5/0135; A01K 5/00; A01K 5/01; A01K
7/005; A47G 19/02; A63F 7/041; A63F
7/044

See application file for complete search history.

(56) **References Cited**

U.S. PATENT DOCUMENTS

- 569,194 A * 10/1896 Giles A63F 7/044
273/115
- D312,895 S * 12/1990 Goetz D30/129
- D698,095 S * 1/2014 Paculdo D30/121
- D699,009 S * 2/2014 Hansen D30/121

- D706,495 S * 6/2014 Hansen D30/121
- D857,307 S * 8/2019 Miyawaki D30/129
- D874,071 S * 1/2020 Gevaert D30/129
- D904,695 S * 12/2020 Becattini, Jr. D30/129
- D940,966 S * 1/2022 Murphy D30/130

(Continued)

FOREIGN PATENT DOCUMENTS

EM 008524631-0001 * 5/2021

OTHER PUBLICATIONS

Tolopu Extra-Large Square Durable ABS Slow Feeder Dog Bowls, date first available Oct. 23, 2020 [online], [retrieved Oct. 31, 2022]. Retrieved from internet <https://www.amazon.com/Tolopu-Medium-Anti-Choking-Anti-Gulping-Feeding/dp/B08LQ4DGP2/> (Year: 2020).*

(Continued)

Primary Examiner — Sheryl Lane
Assistant Examiner — Emily A Caven
(74) *Attorney, Agent, or Firm* — Xuan Zhang

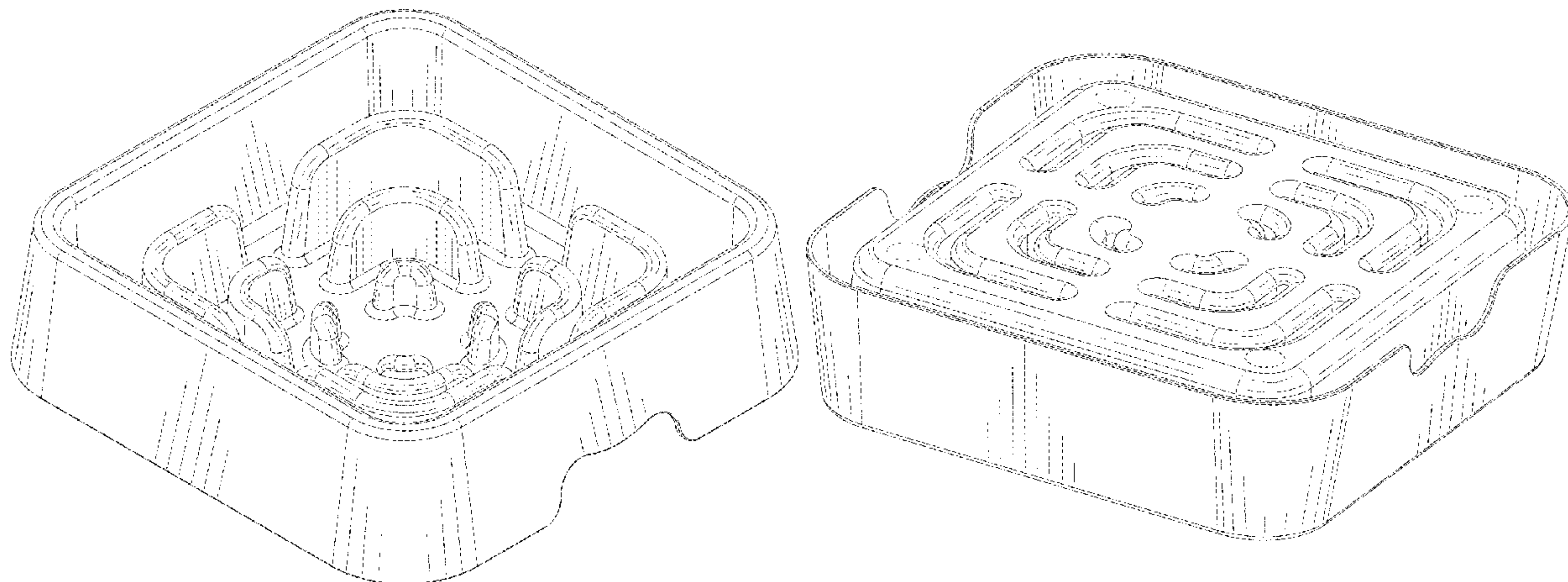
(57) **CLAIM**

The ornamental design for a pet feeding bowl, as shown and described.

DESCRIPTION

FIG. 1 is a top perspective view of a pet feeding bowl showing my new design;
FIG. 2 is a top view thereof;
FIG. 3 is a bottom view thereof;
FIG. 4 is a left view thereof;
FIG. 5 is a right view thereof;
FIG. 6 is a rear view thereof;
FIG. 7 is a front view thereof; and,
FIG. 8 is a bottom perspective view thereof.
The broken lines in the drawings are included for the purpose of illustrating environmental structure and forms no part of the claimed design.

1 Claim, 8 Drawing Sheets



(56)

References Cited

U.S. PATENT DOCUMENTS

2013/0305996 A1* 11/2013 Lindskov A01K 5/0114
264/571
2022/0248639 A1* 8/2022 Ottosson A01K 5/02

OTHER PUBLICATIONS

Tolopu Shenzhen Top Technology Co., Ltd. Plastic Pet Slow Feeder catalog, posted date unknown [online], [retrieved Oct. 31, 2022]. Retrieved from internet https://tolopu.en.alibaba.com/productgroupdetail-919771702/Plastic_Pet_slow_feeder.html?spm=a2700.shop_index.88.23 (Year: 2022).*

* cited by examiner

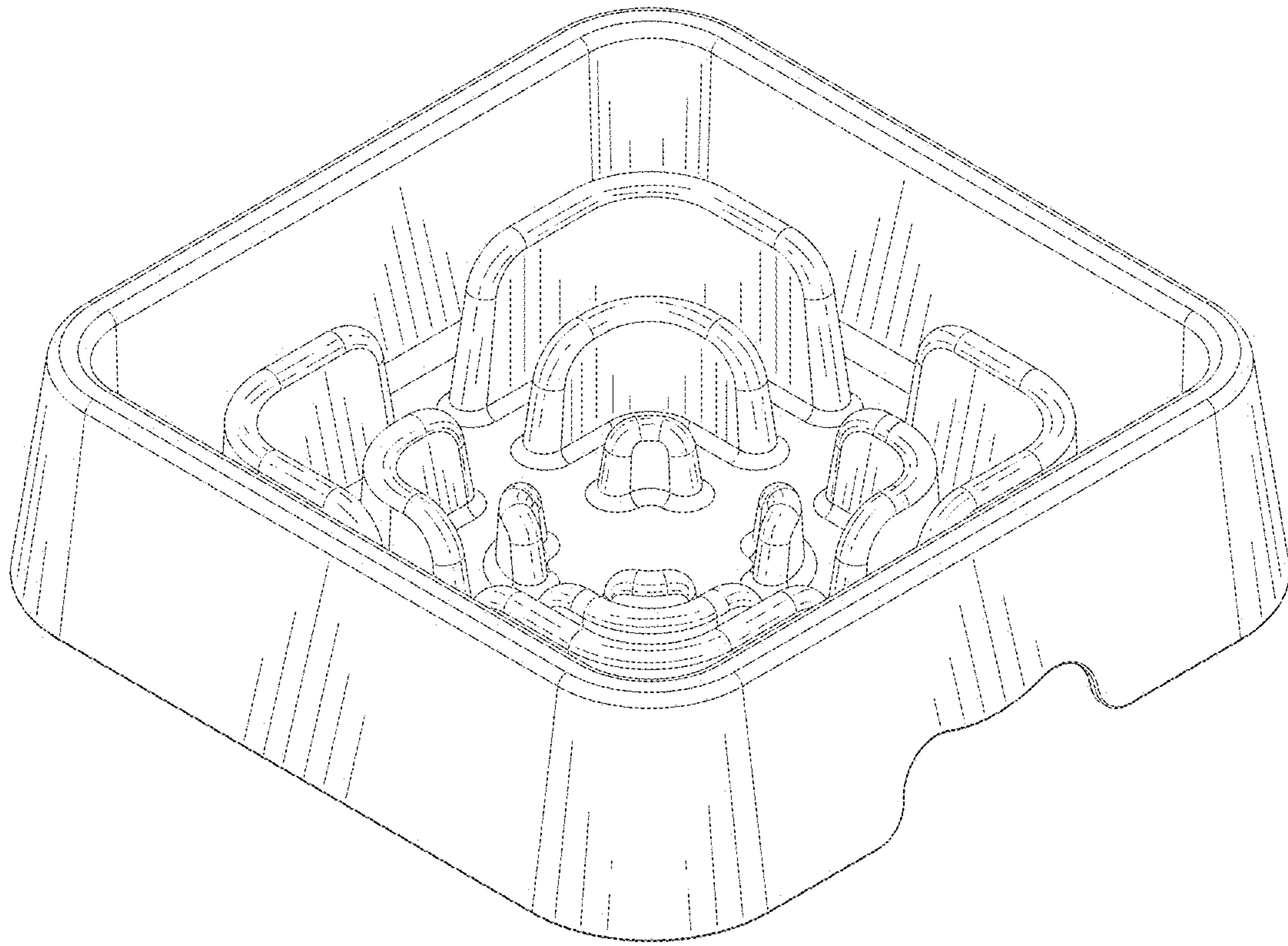


FIG.1

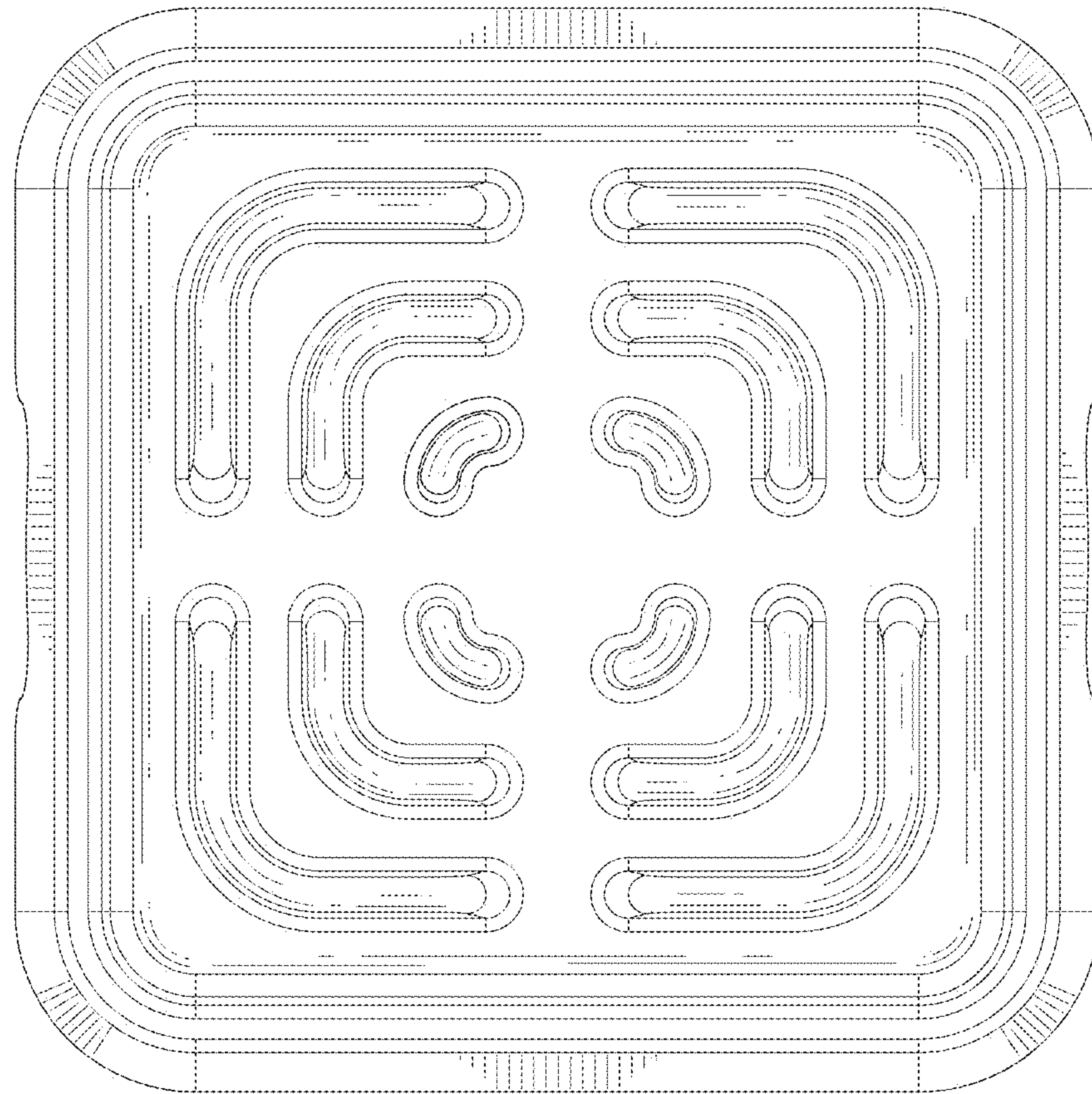


FIG.2

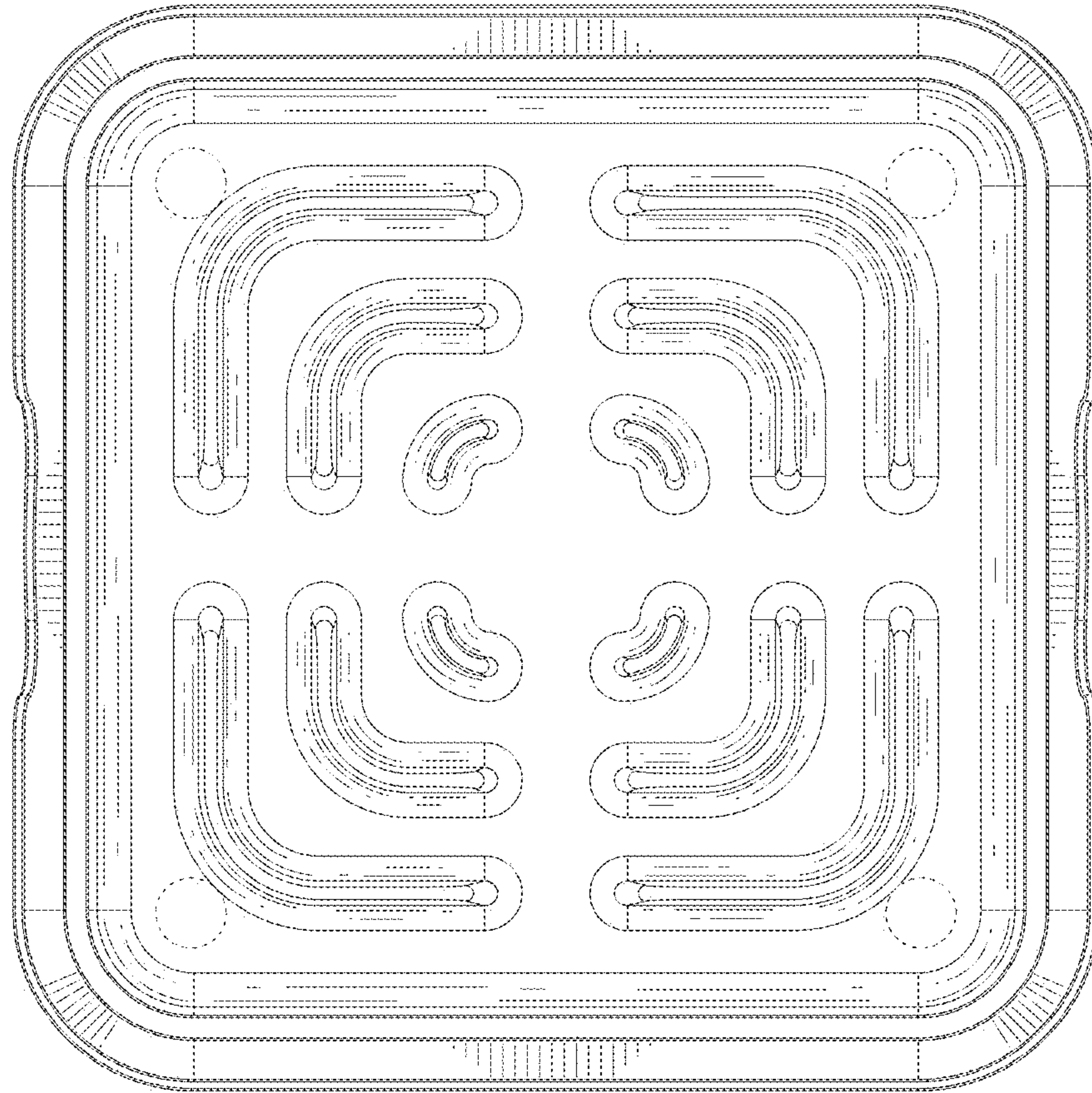


FIG.3

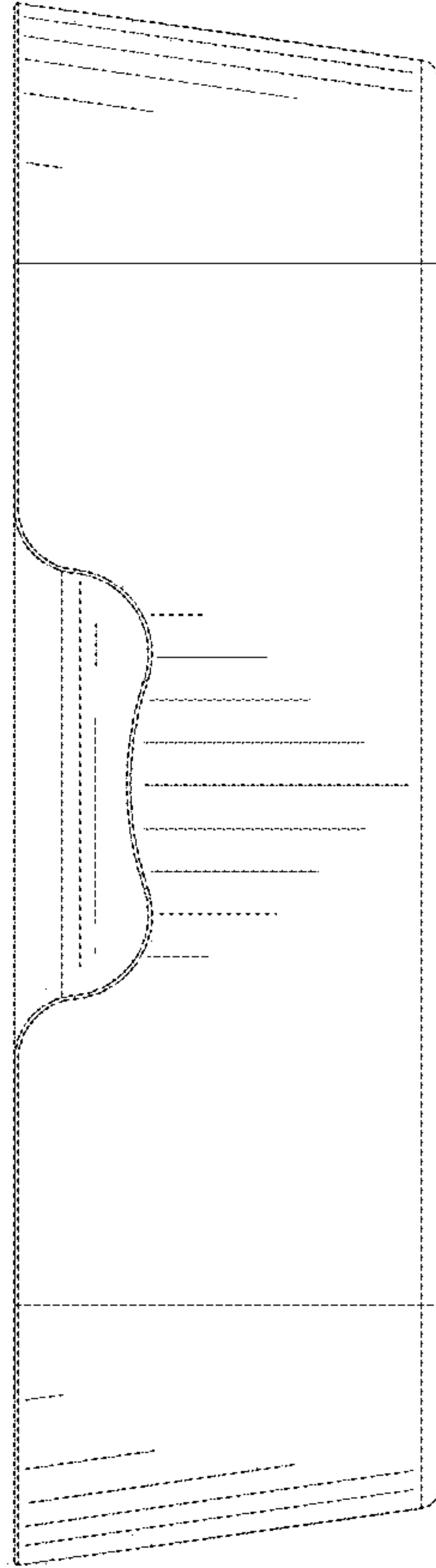


FIG.4

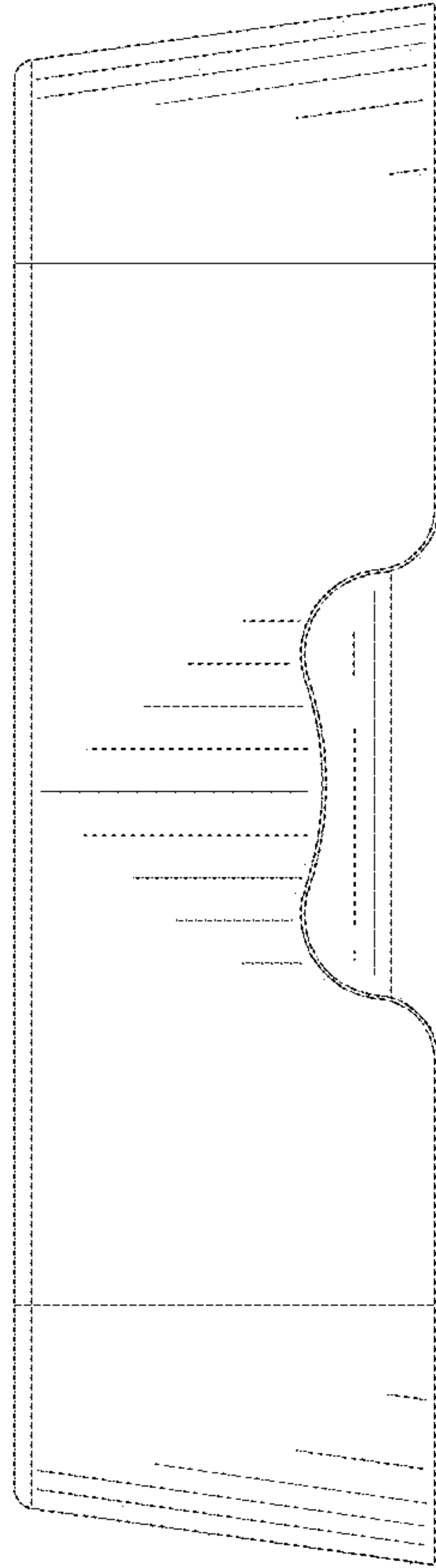


FIG.5

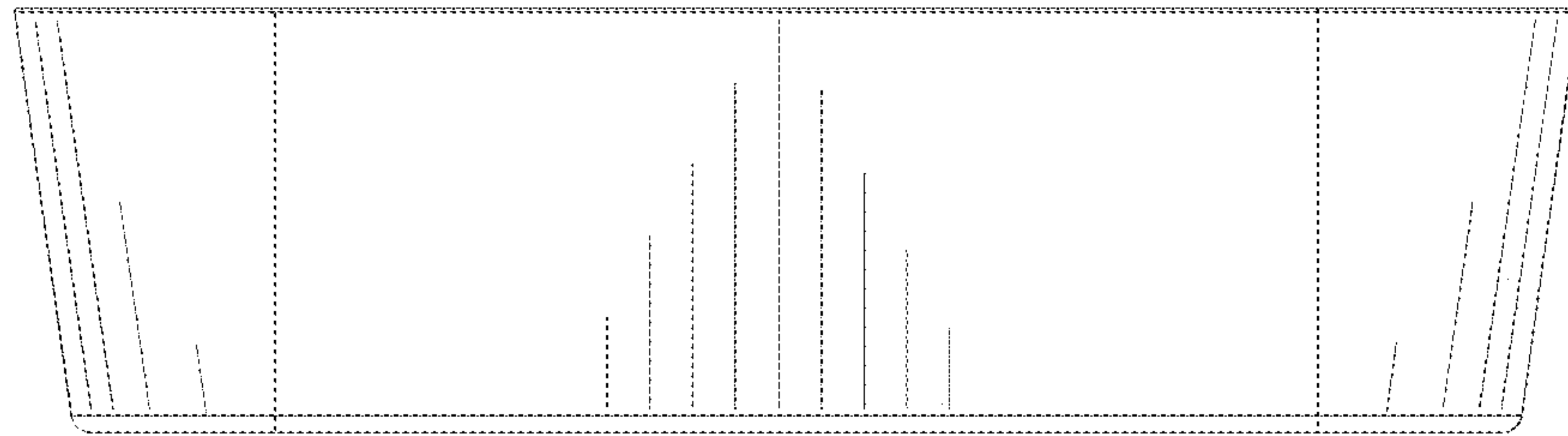


FIG.6

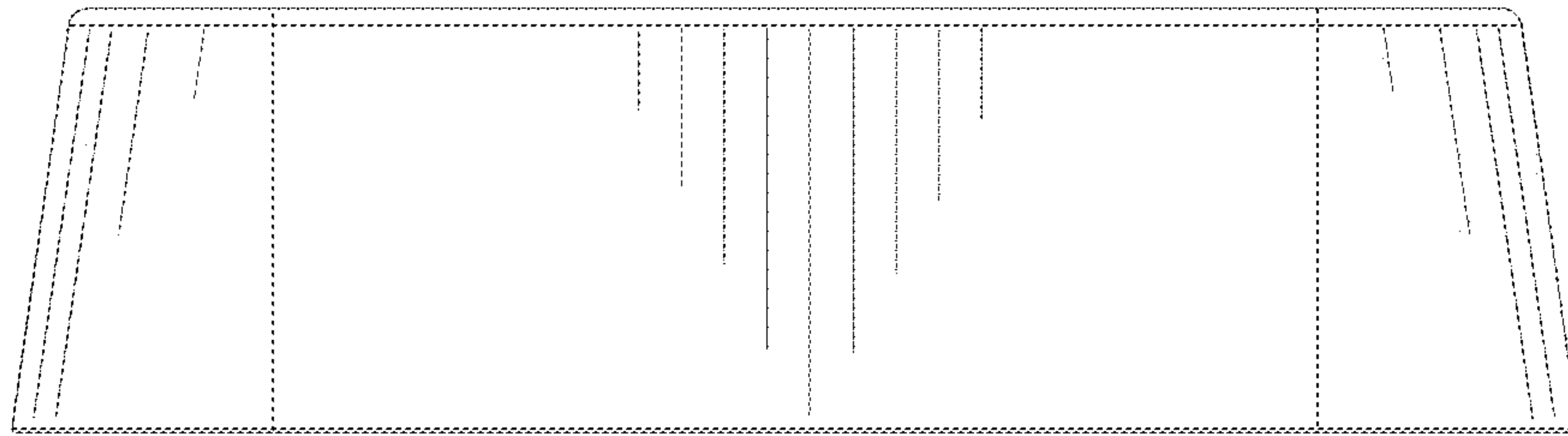


FIG.7

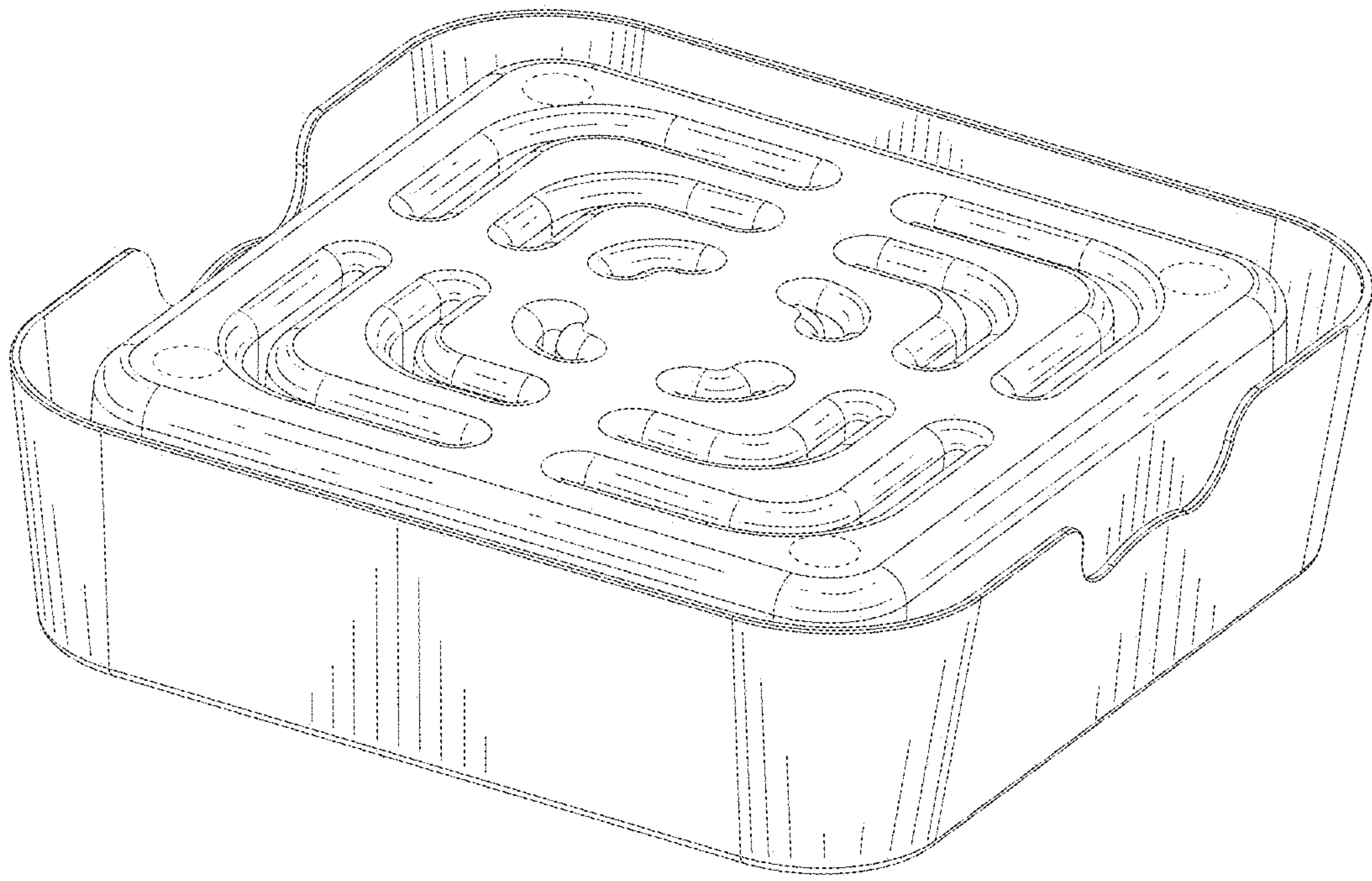


FIG.8