



US00D979151S

(12) **United States Design Patent**
Nie

(10) **Patent No.:** **US D979,151 S**

(45) **Date of Patent:** **** Feb. 21, 2023**

- (54) **PET FEEDING BOWL**
- (71) Applicant: **ShenZhen TOP Technology Co., LTD.,**
Shenzhen (CN)
- (72) Inventor: **Junqing Nie,** Shenzhen (CN)
- (73) Assignee: **ShenZhen TOP Technology Co., LTD.,**
Shenzhen (CN)
- (**) Term: **15 Years**
- (21) Appl. No.: **29/780,439**
- (22) Filed: **Apr. 24, 2021**
- (51) **LOC (14) Cl.** **30-03**
- (52) **U.S. Cl.**
USPC **D30/129**
- (58) **Field of Classification Search**
USPC D30/119, 121, 123, 129, 130, 131, 132,
D30/133, 160, 199; D7/500, 509, 510,
D7/550.1, 553.2, 553.3, 553.6, 553.7,
D7/554.2, 554.3, 554.4, 557, 558, 559,
D7/565, 584, 586, 587, 588, 589, 354,
D7/603, 610, 629; D11/143, 152;
D24/107, 121, 123; D9/721, 431;
D6/656.11, 675.4, 676.4
CPC .. A01K 1/0356; A01K 5/0107; A01K 5/0114;
A01K 5/0121; A01K 5/0128; A01K
5/0135; A01K 5/00; A01K 5/01; A01K
7/005; A47G 19/02; A63F 7/041; A63F
7/044
See application file for complete search history.

(56) **References Cited**

U.S. PATENT DOCUMENTS

- 456,826 A * 7/1891 Jenne A63F 7/044
273/113
- 799,985 A * 9/1905 Howland A63F 7/044
273/113
- 1,080,955 A * 12/1913 Clement A63F 7/044
273/115

- D120,409 S * 5/1940 Myers A63F 7/044
131/240.1
- D528,039 S * 9/2006 Sellers D11/164
- D699,009 S * 2/2014 Hansen D30/121
- D705,999 S * 5/2014 Hansen D30/121
- D706,494 S * 6/2014 Hansen D30/121

(Continued)

FOREIGN PATENT DOCUMENTS

- EM 008524631-0002 * 5/2021

OTHER PUBLICATIONS

Tolopu Slow Feeder Dog Bowls, posted Oct. 23, 2020 [online], [retrieved Oct. 31, 2022]. Retrieved from internet <https://www.amazon.com/Tolopu-Durable-Anti-Choking-Anti-Gulping-Feeding/dp/B08LN4NGDW?th=1> (Year: 2020).*

(Continued)

Primary Examiner — Sheryl Lane
Assistant Examiner — Emily A Caven
(74) *Attorney, Agent, or Firm* — Xuan Zhang

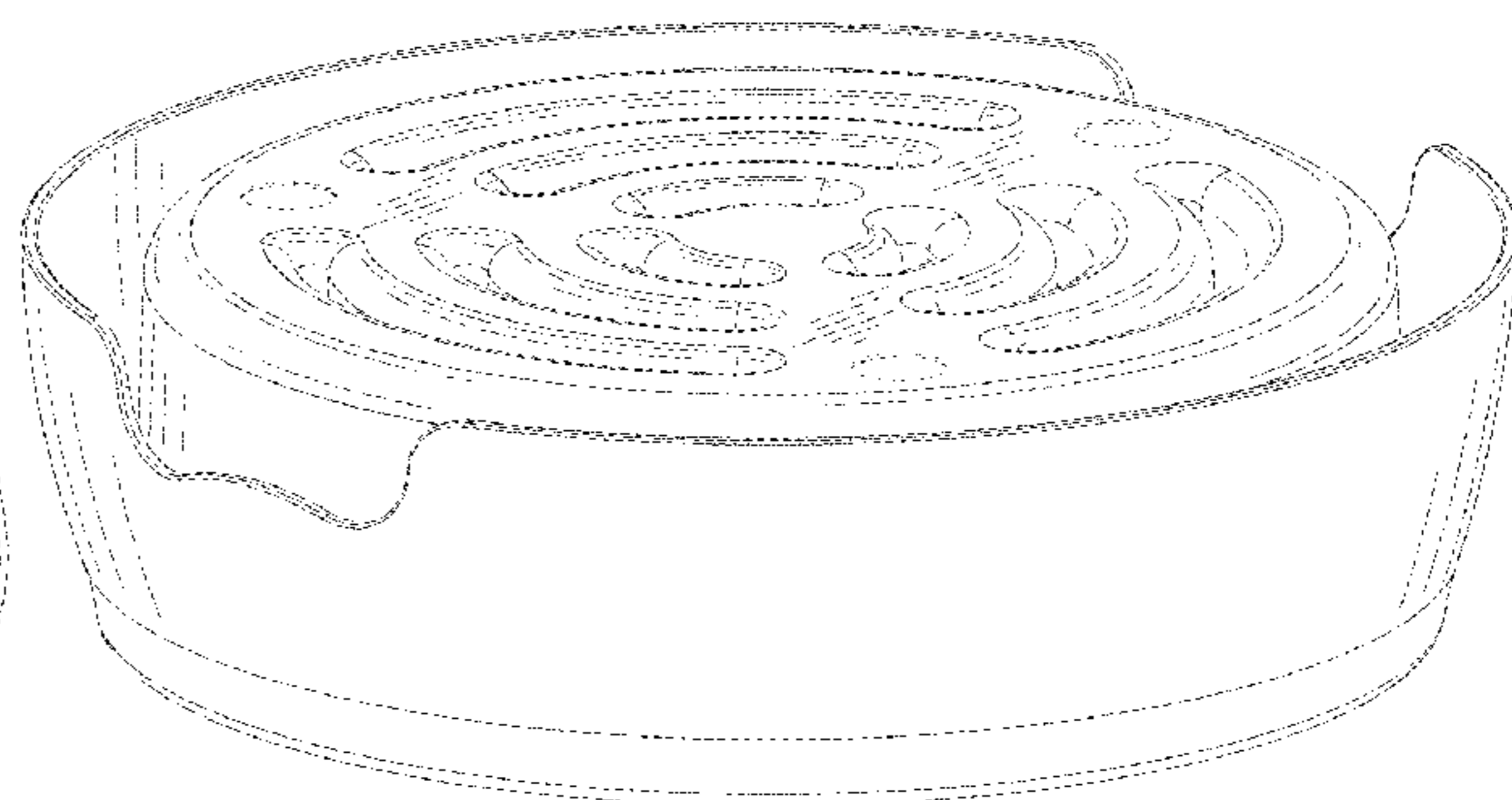
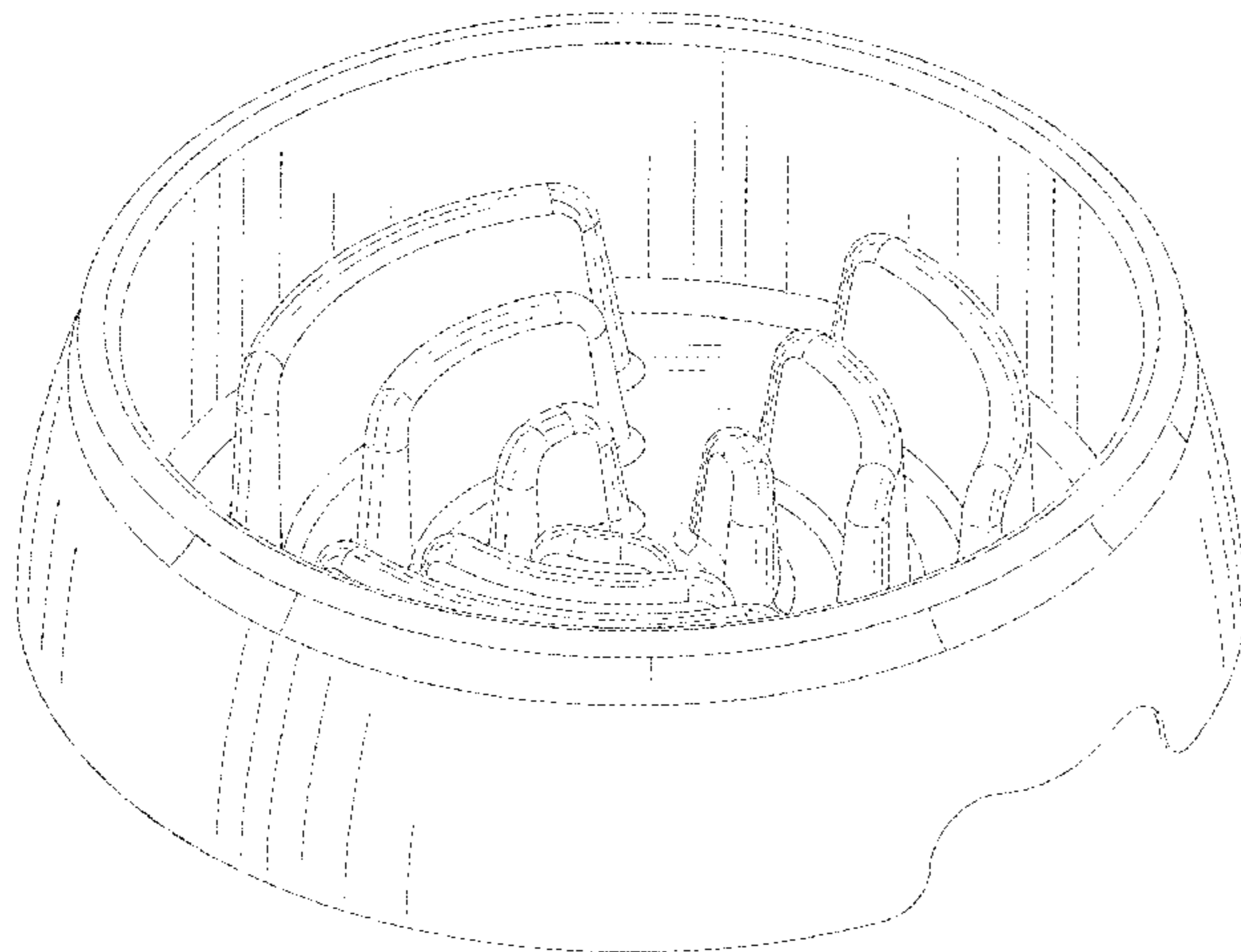
(57) **CLAIM**

The ornamental design for a pet feeding bowl, as shown and described.

DESCRIPTION

FIG. 1 is a top perspective view of a pet feeding bowl showing my new design;
FIG. 2 is a top view thereof;
FIG. 3 is a bottom view thereof;
FIG. 4 is a left view thereof;
FIG. 5 is a right view thereof;
FIG. 6 is a rear view thereof;
FIG. 7 is a front view thereof; and,
FIG. 8 is a bottom perspective view thereof.
The broken lines in the drawings are included for the purpose of illustrating environmental structure and forms no part of the claimed design.

1 Claim, 8 Drawing Sheets



(56)

References Cited

U.S. PATENT DOCUMENTS

D706,495 S * 6/2014 Hansen D30/121
D857,307 S * 8/2019 Miyawaki D30/129
D874,071 S * 1/2020 Gevaert D30/129
2004/0123872 A1 * 7/2004 Henson A24F 19/0014
131/241
2022/0248639 A1 * 8/2022 Ottosson A01K 5/02

OTHER PUBLICATIONS

Tolopu Shenzhen Top Technology Co., Ltd. Plastic Pet Slow Feeder catalog, posted date unknown [online], [retrieved Oct. 31, 2022]. Retrieved from internet https://tolopu.en.alibaba.com/productgroup/919771702/Plastic_Pet_slow_feeder.html?spm=a2700.shop_index.88.23 (Year: 2022).*

* cited by examiner

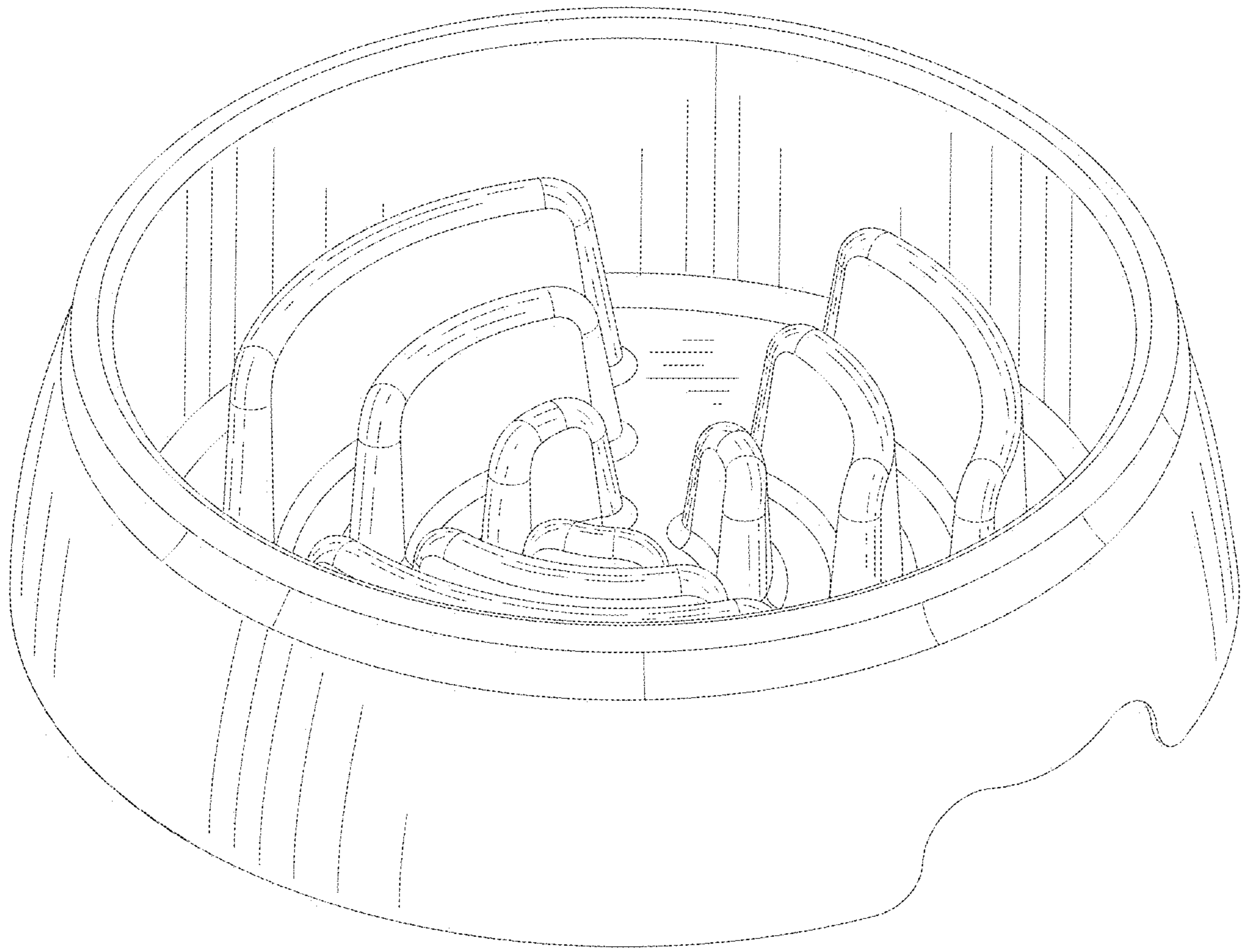


FIG. 1



FIG. 2

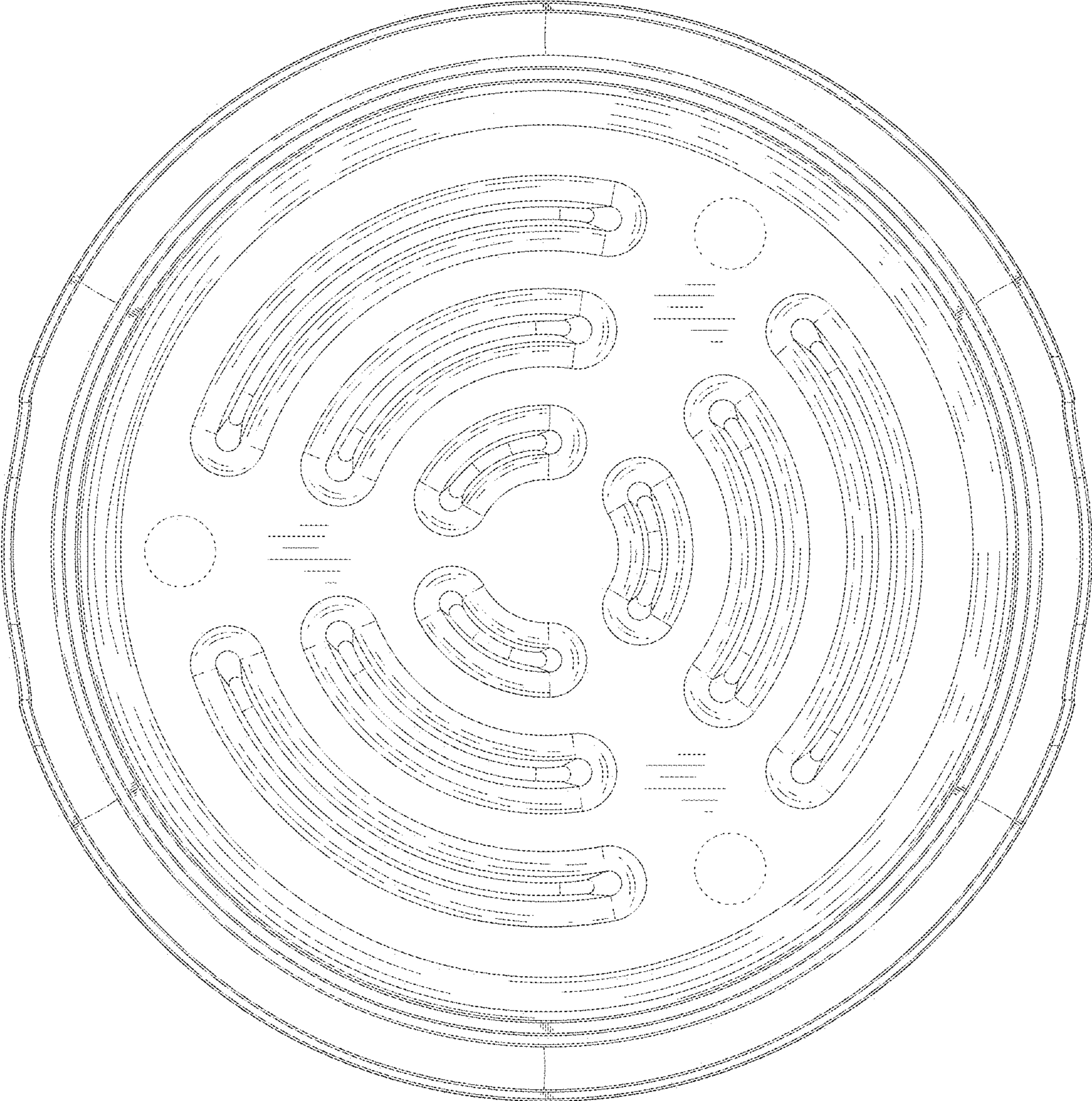


FIG. 3

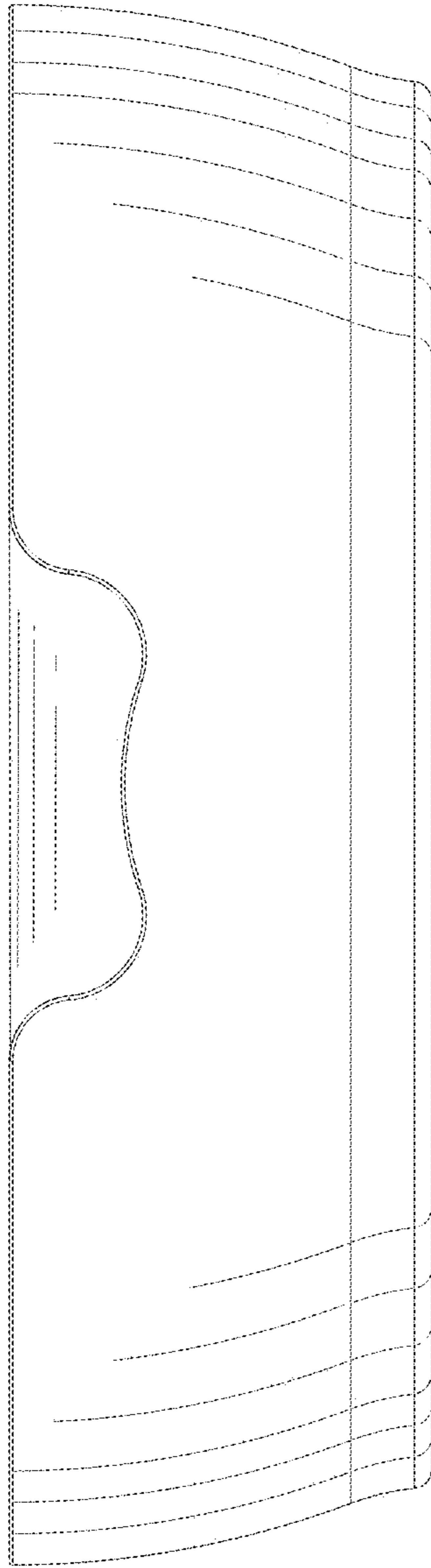


FIG. 4

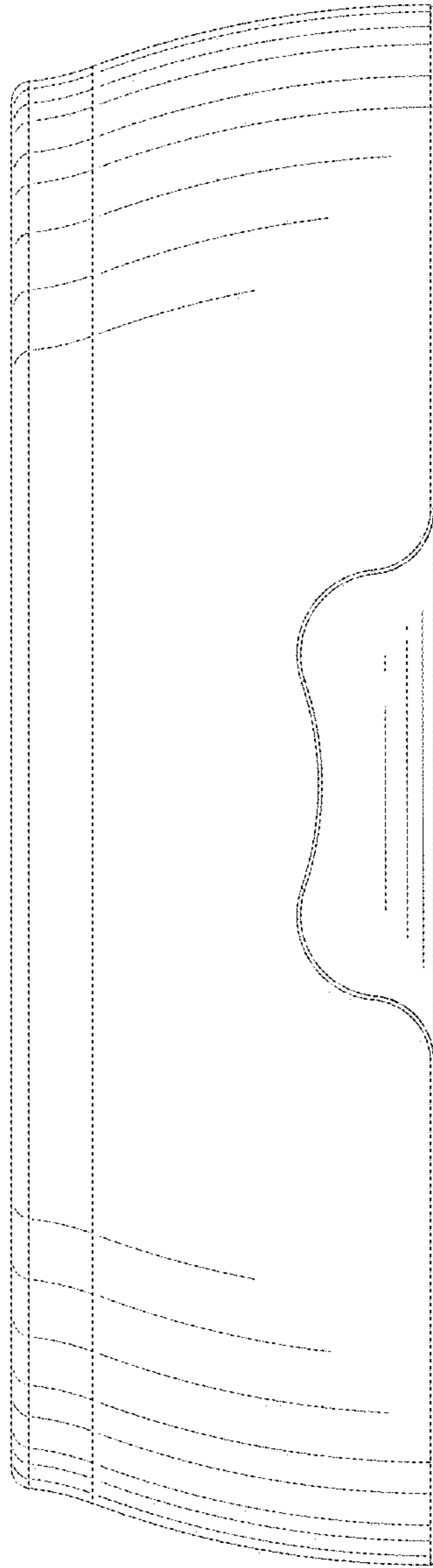


FIG. 5

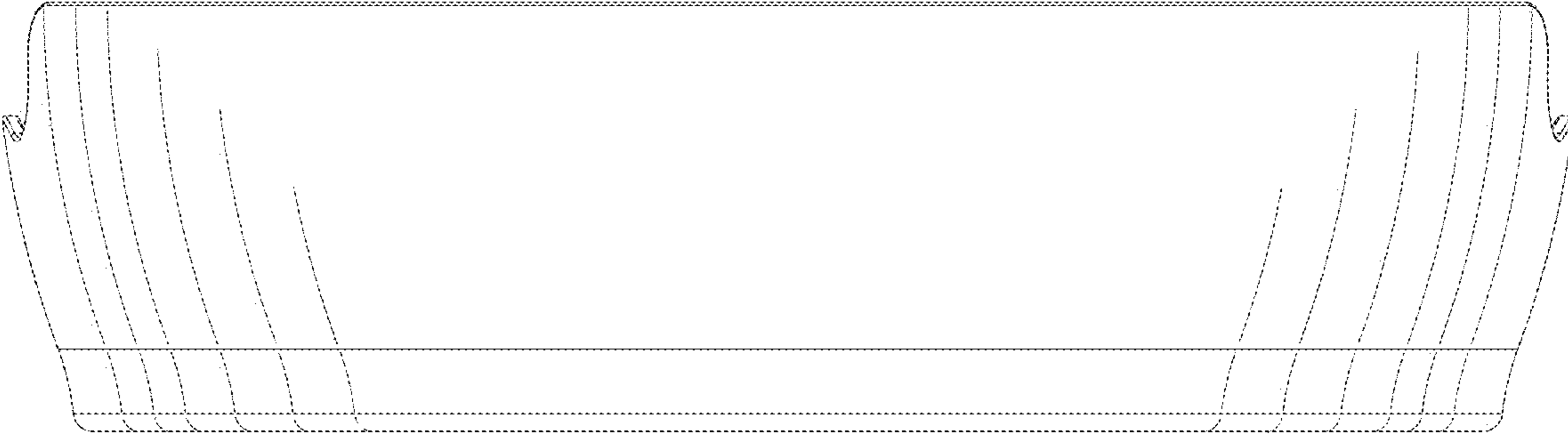


FIG.6

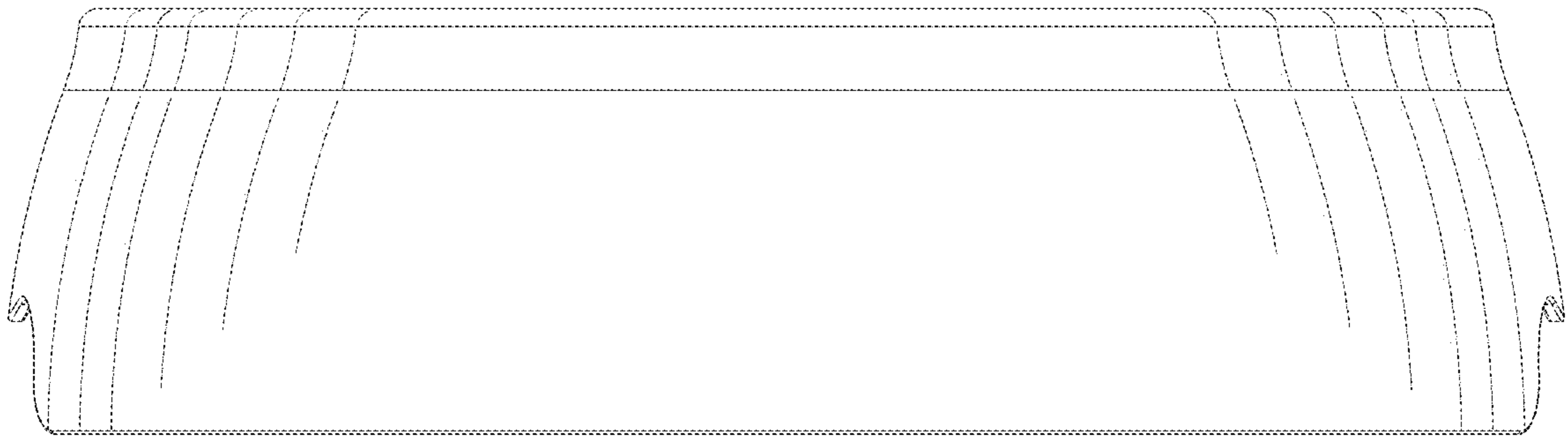


FIG. 7

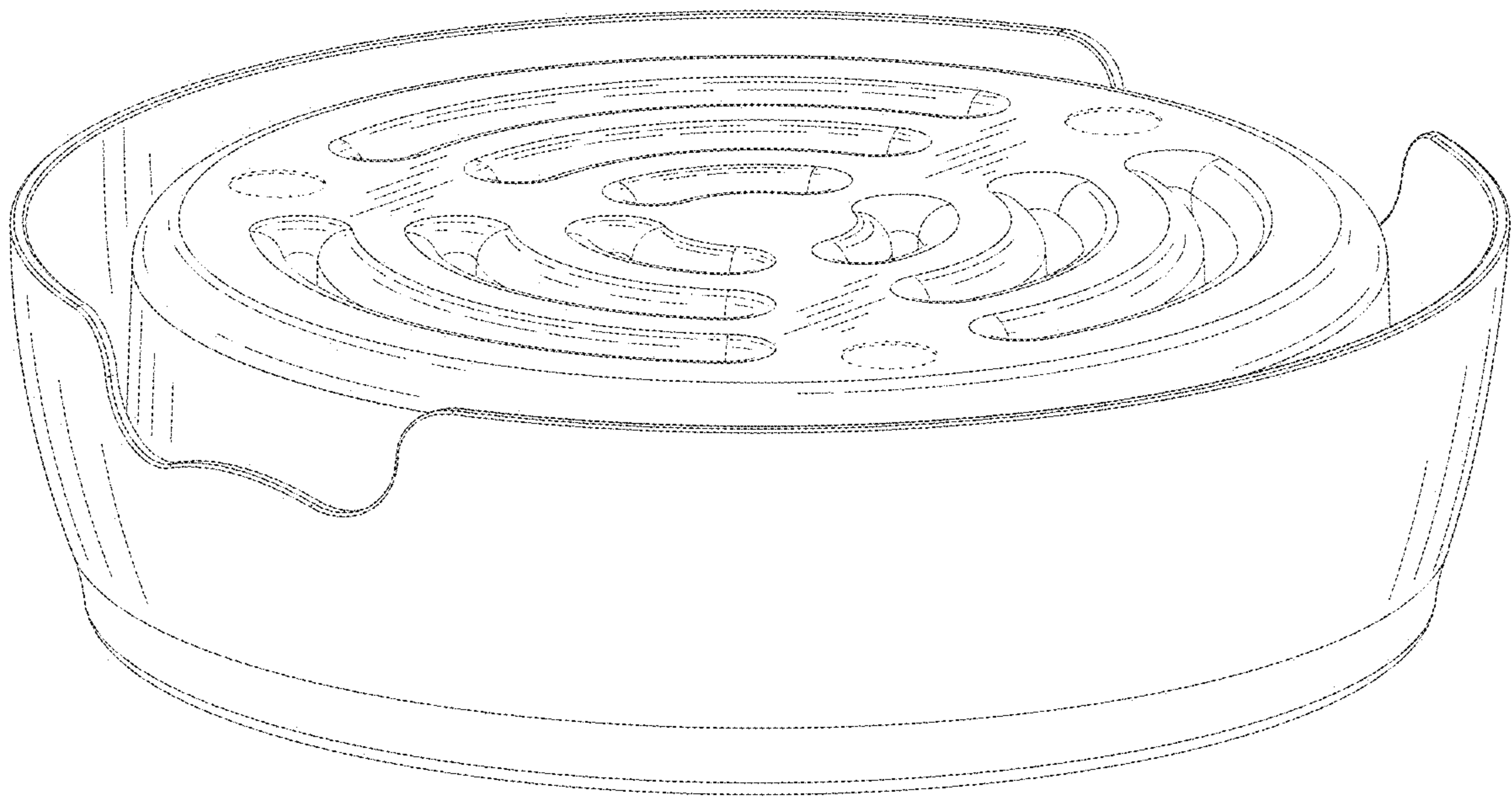


FIG. 8