



US00D979149S

(12) **United States Design Patent**
Dodson

(10) **Patent No.:** **US D979,149 S**
(45) **Date of Patent:** **** Feb. 21, 2023**

(54) **BIRDFEEDER WITH ONE-WAY MIRROR**

(71) Applicant: **Fifth Start Pty Ltd**, North Balgowlah (AU)

(72) Inventor: **Paul Edward Dodson**, North Balgowlah (AU)

(73) Assignee: **FIFTH START PTY LTD**, North Balgowlah (AU)

(**) Term: **15 Years**

(21) Appl. No.: **29/788,669**

(22) Filed: **Jul. 13, 2021**

(51) **LOC (14) Cl.** **30-03**

(52) **U.S. Cl.**
USPC **D30/124**

(58) **Field of Classification Search**
USPC D30/121, 124, 126–129, 133, 199, D30/110–112, 123, 125; 119/52.2, 51.5, 119/61.5, 57.8, 57.9, 52.3, 61.1, 531, 63, 119/428–435, 52.4, 55, 61.3, 69.5, 75, 76; 47/67, 83; 248/318; D11/164, 152; 211/128.1; D27/123; D6/495, 460, 461, D6/476, 405

CPC .. A01K 39/014; A01K 39/04; A01K 39/0206; A01K 39/00; A01K 39/01; A01K 39/0113; A01K 39/012; A01K 39/06; A01K 5/0225; A01K 5/00; A01K 31/14; A47H 27/00; A47G 7/044; A47G 7/045; A47G 7/047; E06B 7/28; G09F 7/18; G09F 17/00; F16M 13/02; F16M 13/022

See application file for complete search history.

(56) **References Cited**

U.S. PATENT DOCUMENTS

2,156,746 A * 5/1939 Steinmetz A01G 9/16 47/40
2,430,541 A * 11/1947 Thatcher A01K 39/014 D30/124

2,532,726 A * 12/1950 Lajoie A01K 39/012 119/52.2
2,673,551 A * 3/1954 McAnly A01K 39/012 119/52.1
2,709,838 A * 6/1955 Zausner A01G 9/24 52/274
2,858,801 A * 11/1958 Chance A01K 5/0225 D30/131
D187,135 S * 2/1960 McDonald D30/126
D191,518 S * 10/1961 Olson D30/124
3,002,236 A * 10/1961 Humphner E06B 3/28 264/554
D192,925 S * 5/1962 Kofsky et al. D30/124

(Continued)

Primary Examiner — Susan Moon Lee

(74) *Attorney, Agent, or Firm* — Culhane Meadows PLLC

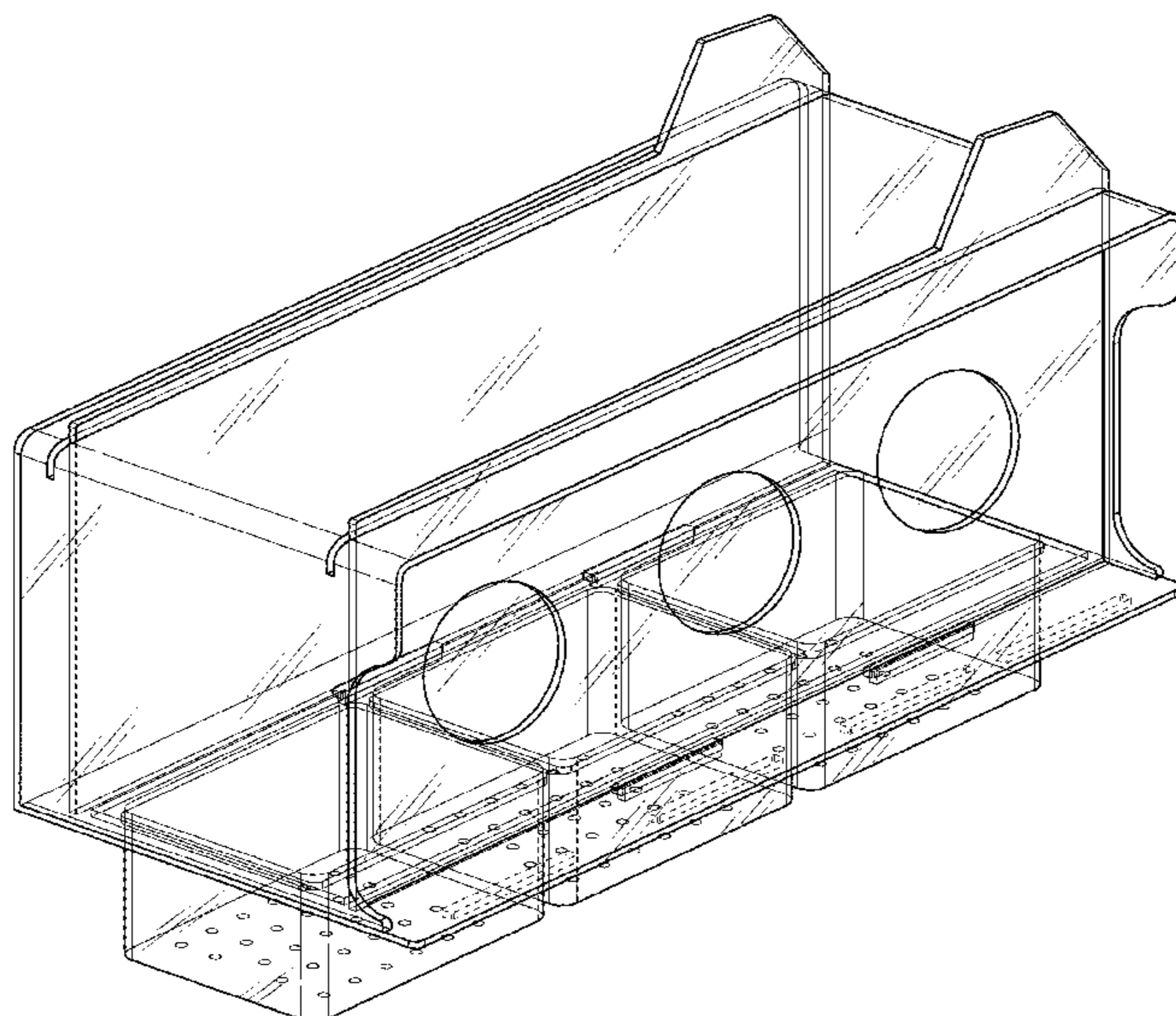
(57) **CLAIM**

The ornamental design for a birdfeeder with one-way mirror, as shown and described.

DESCRIPTION

FIG. 1 is a front perspective view of a birdfeeder with one-way mirror, in accordance with my new design.
FIG. 2 is a front view of the birdfeeder with one-way mirror, in accordance with my new design.
FIG. 3 is a back view of the birdfeeder with one-way mirror, in accordance with my new design.
FIG. 4 is a left-side view of the birdfeeder with one-way mirror, in accordance with my new design.
FIG. 5 is a right-side view of the birdfeeder with one-way mirror, in accordance with my new design.
FIG. 6 is a top view of the birdfeeder with one-way mirror, in accordance with my new design; and,
FIG. 7 is a bottom view of the birdfeeder with one-way mirror, in accordance with my new design.
In the drawings, the broken lines indicate portions of the article not claimed or the unclaimed environment and form no part of the claimed design.

1 Claim, 4 Drawing Sheets



(56)

References Cited

U.S. PATENT DOCUMENTS

3,076,433 A * 2/1963 Kofsky A01K 39/014
119/57.8
3,086,499 A * 4/1963 Dilley A01K 39/0113
119/431
3,114,376 A * 12/1963 Rexroat E04H 15/30
135/901
3,127,697 A * 4/1964 Romenko E06B 7/28
52/201
3,148,479 A * 9/1964 Amato A01G 9/14
52/63
3,155,427 A * 11/1964 Necessary A47C 1/16
135/900
3,291,100 A * 12/1966 Negaard A01K 39/014
119/57.8
3,593,470 A * 7/1971 Francis E06B 7/28
52/37
D225,215 S * 11/1972 Francis D99/43
3,946,522 A * 3/1976 Schifman A01G 9/02
D6/556
4,023,306 A * 5/1977 Ruggieri, Jr. A01G 9/16
52/63
D249,087 S * 8/1978 Simmons D30/126
4,261,294 A * 4/1981 Bescherer A01K 39/014
D6/571
D265,939 S * 8/1982 Kilham D30/124
D268,996 S * 5/1983 Elleby, Jr. D25/48.8
4,425,873 A * 1/1984 Rinne, Jr. A01K 39/012
119/53
D274,013 S * 5/1984 Sun D30/124
D277,704 S * 2/1985 Dehls D30/124
4,541,362 A * 9/1985 Dehls A01K 39/0113
119/63
D285,847 S * 9/1986 Read D30/124
4,753,195 A * 6/1988 Maggio A01K 39/01
119/52.2
4,865,066 A * 9/1989 Brooks G09F 15/00
52/285.3
4,881,491 A * 11/1989 Brown A01K 39/00
119/51.01
4,892,060 A * 1/1990 Lundquist A01K 39/012
119/52.2
5,016,571 A * 5/1991 Totaro A01K 31/14
119/428
D329,723 S * 9/1992 Carpenter D30/126
5,170,747 A * 12/1992 Strangio A01K 45/00
119/428
D334,636 S * 4/1993 Honeycutt D30/118
D342,589 S * 12/1993 Bransky D30/124
D342,590 S * 12/1993 Bransky D30/124
D350,627 S * 9/1994 Moniak D30/124
D351,690 S * 10/1994 Honeycutt D30/124
5,400,557 A * 3/1995 Glover E06B 1/363
52/201
D359,146 S * 6/1995 Finch D30/124
D392,777 S * 3/1998 Scribner D30/131
D396,331 S * 7/1998 Niemetz D30/124

5,842,438 A * 12/1998 Messmer A01K 1/035
119/484
D405,634 S * 2/1999 Smith D6/574
D407,863 S * 4/1999 Leal D30/124
5,890,455 A * 4/1999 Donchey A01K 1/035
119/497
5,904,330 A * 5/1999 Manico G03B 29/00
119/51.01
5,924,381 A * 7/1999 Bloedorn A01K 39/012
119/462
D424,249 S * 5/2000 Banzaca D30/119
D425,675 S * 5/2000 Bonder D30/124
6,062,167 A * 5/2000 Soley A01K 39/00
119/57.8
D448,298 S * 9/2001 Simkins D9/455
6,321,686 B2 * 11/2001 Geis A01K 39/0113
119/429
6,363,886 B1 * 4/2002 Statton A01K 39/014
119/51.5
6,560,937 B1 * 5/2003 Gardner E06B 3/92
52/201
D487,660 S * 3/2004 Sayers D6/513
D501,960 S * 2/2005 Oen D30/112
7,229,056 B2 * 6/2007 Rosser A47G 7/044
47/68
D561,955 S * 2/2008 McDonough D30/119
7,467,599 B2 * 12/2008 Jensen A01K 5/01
119/51.01
8,025,030 B1 * 9/2011 Litwin A01K 39/012
119/52.2
D658,338 S * 4/2012 Law D30/124
8,833,305 B2 * 9/2014 Macpherson A01K 5/0142
119/61.5
9,137,974 B2 * 9/2015 Boehm A01K 31/007
9,295,222 B2 * 3/2016 Martinez E06B 7/28
D762,016 S * 7/2016 Yates D30/121
D780,581 S * 3/2017 Tulencik D9/455
D780,582 S * 3/2017 Tulencik D9/455
D791,414 S * 7/2017 Wilgus D30/127
9,702,502 B2 * 7/2017 Hudepohl F16M 13/022
D831,899 S * 10/2018 Ellis D30/126
10,194,642 B2 * 2/2019 Ellis A01K 39/0206
D863,693 S * 10/2019 Ellis D30/124
D899,702 S * 10/2020 Thorn D30/124
D907,864 S * 1/2021 Schwartz D30/131
D927,091 S * 8/2021 Aviv D30/124
D935,704 S * 11/2021 Zhang D30/124
D954,355 S * 6/2022 Mihlbauer D30/108
D957,745 S * 7/2022 Mihlbauer D30/108
11,375,841 B2 * 7/2022 Ellis A47H 27/00
2006/0137618 A1 * 6/2006 Poirier A01K 31/06
119/57.8
2014/0182518 A1 * 7/2014 Boehm A01K 31/007
119/429
2015/0342153 A1 * 12/2015 Hudepohl F16M 13/022
119/61.3
2018/0035650 A1 * 2/2018 Ellis A01K 39/04
2019/0059626 A1 * 2/2019 Ellis A01K 1/035

* cited by examiner

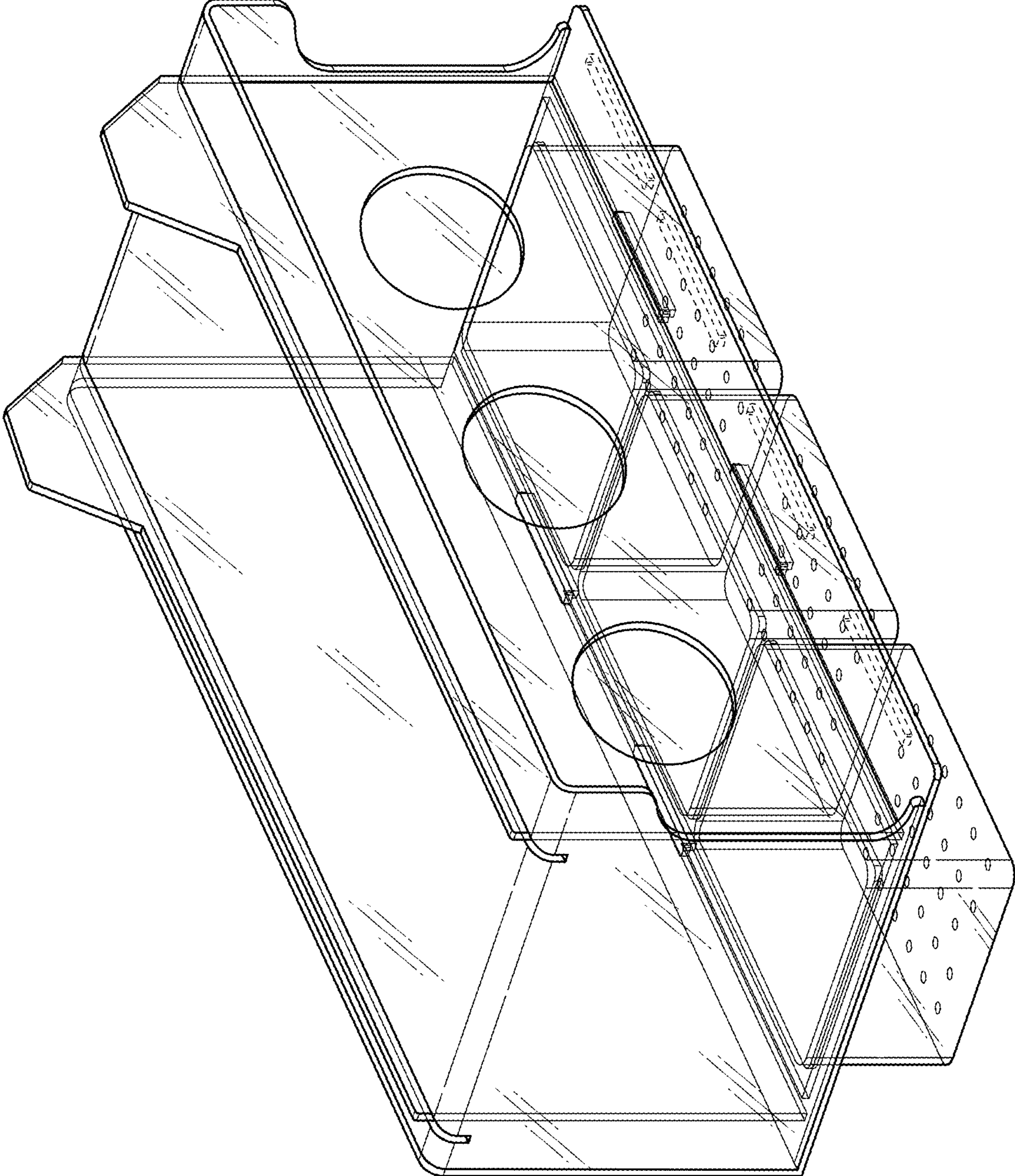


FIG. 1

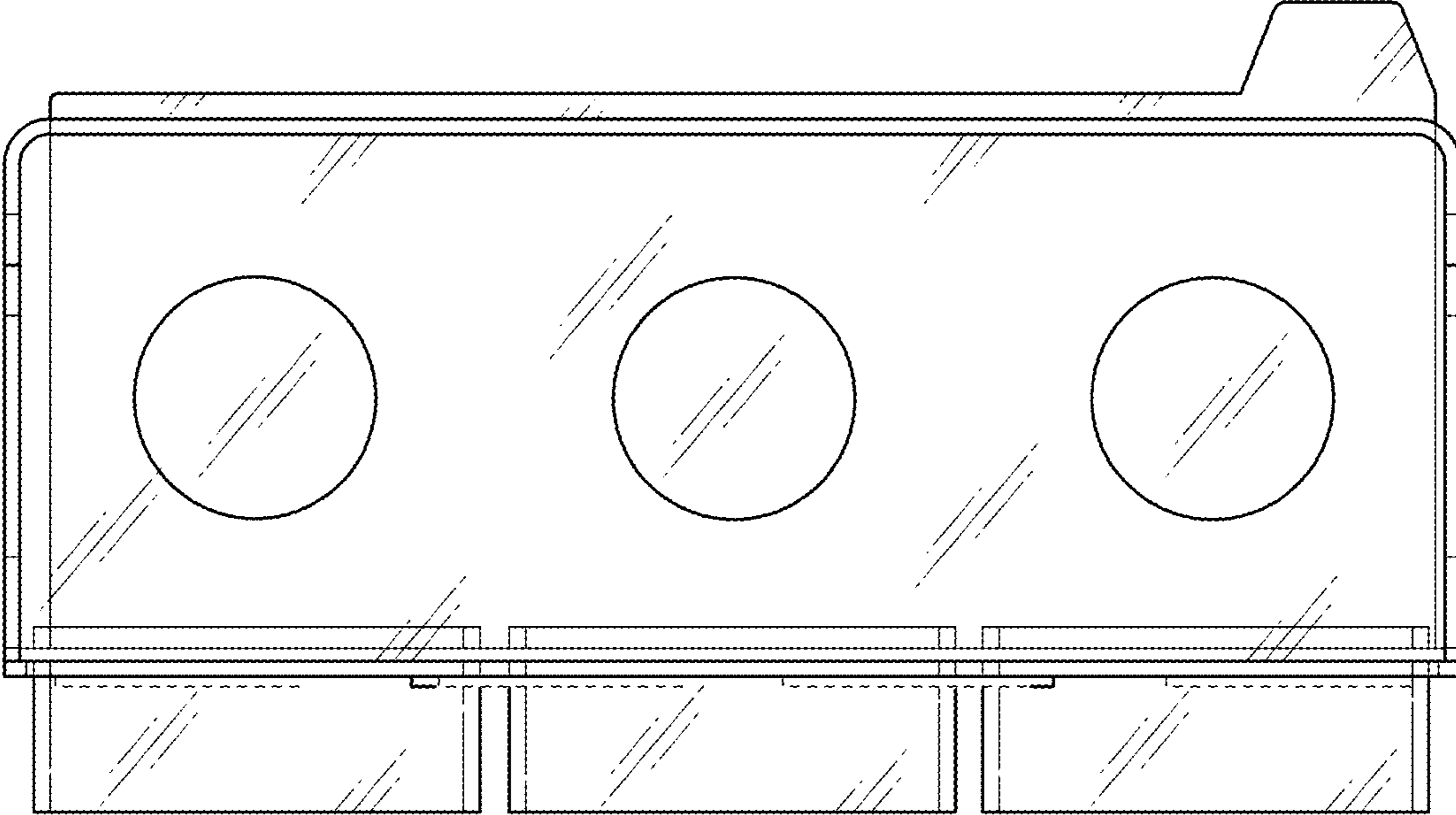


FIG. 2

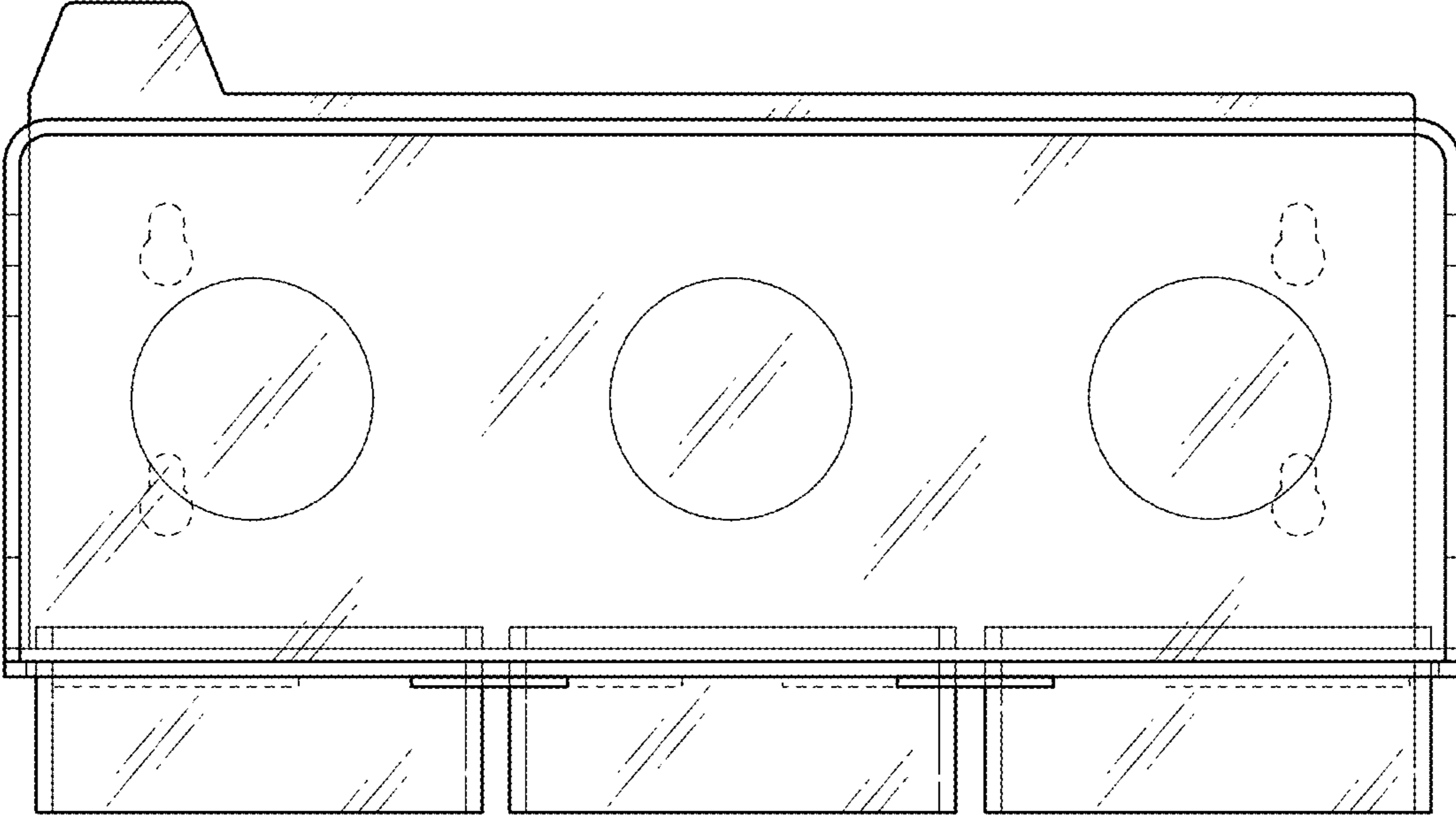


FIG. 3

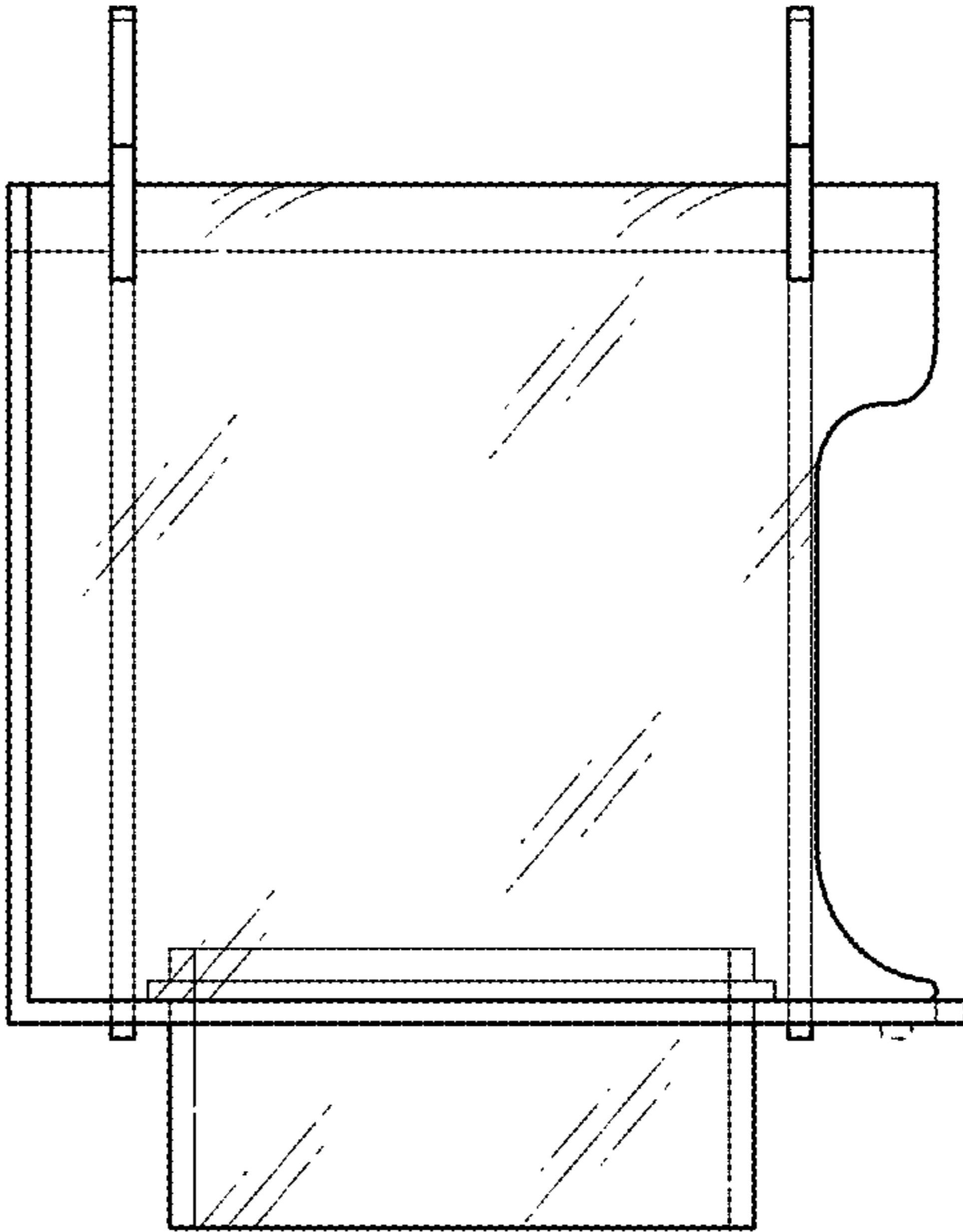


FIG. 4

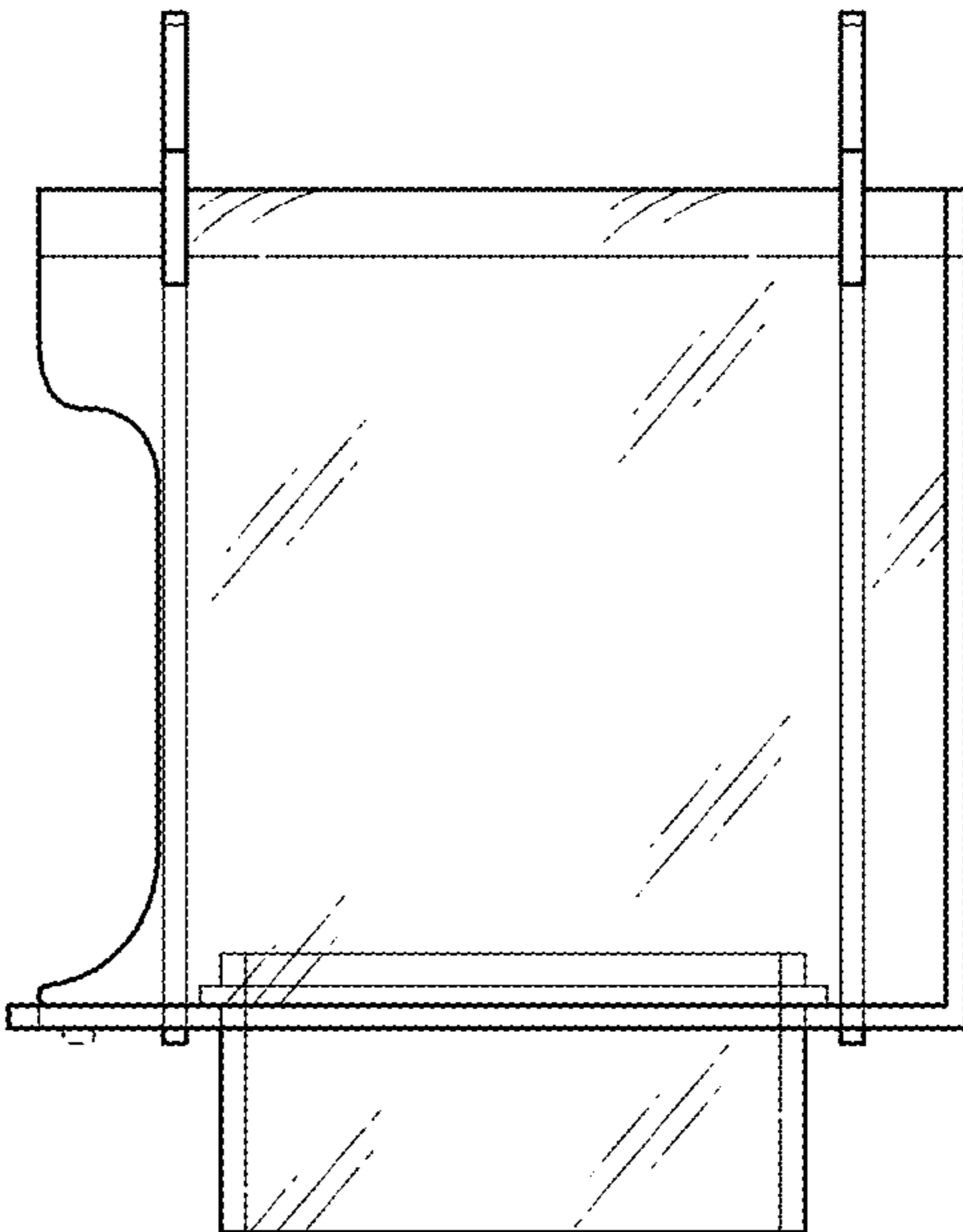


FIG. 5

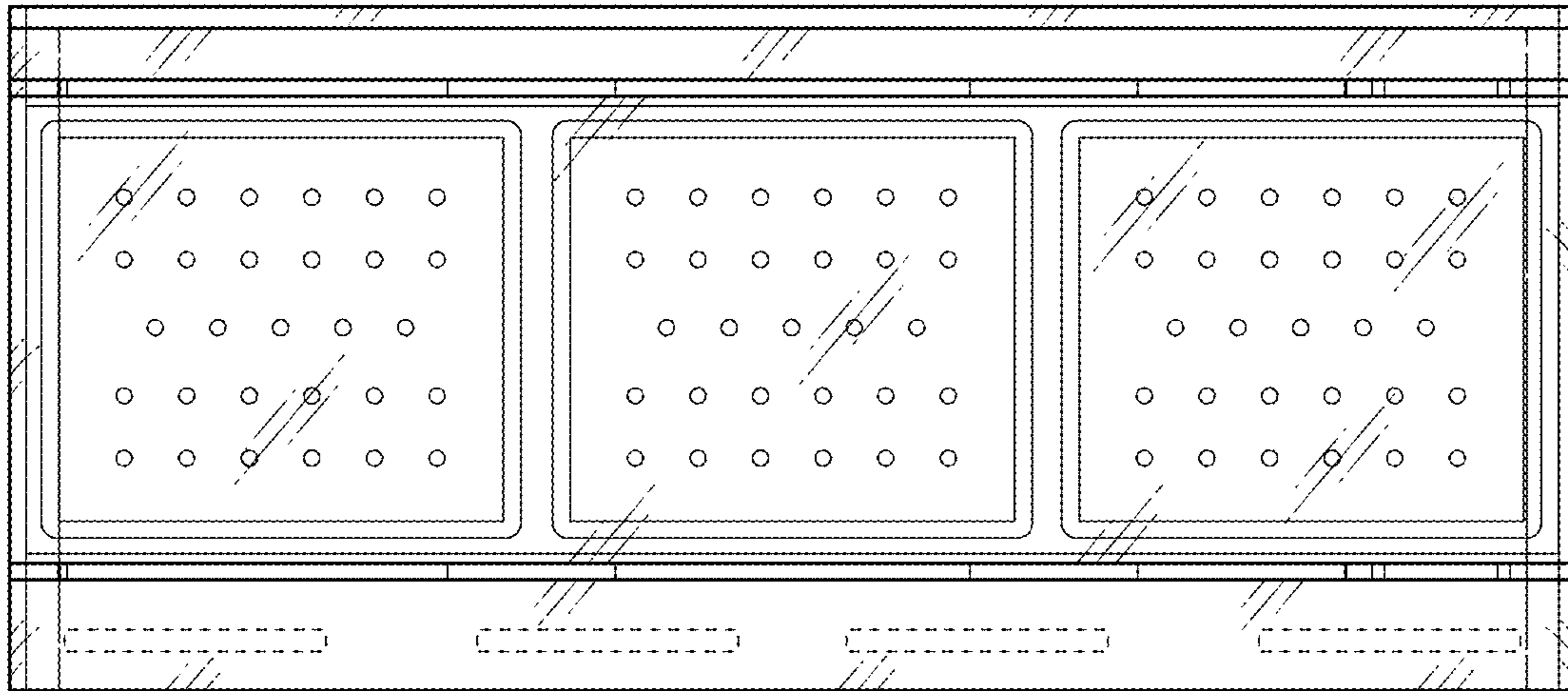


FIG. 6

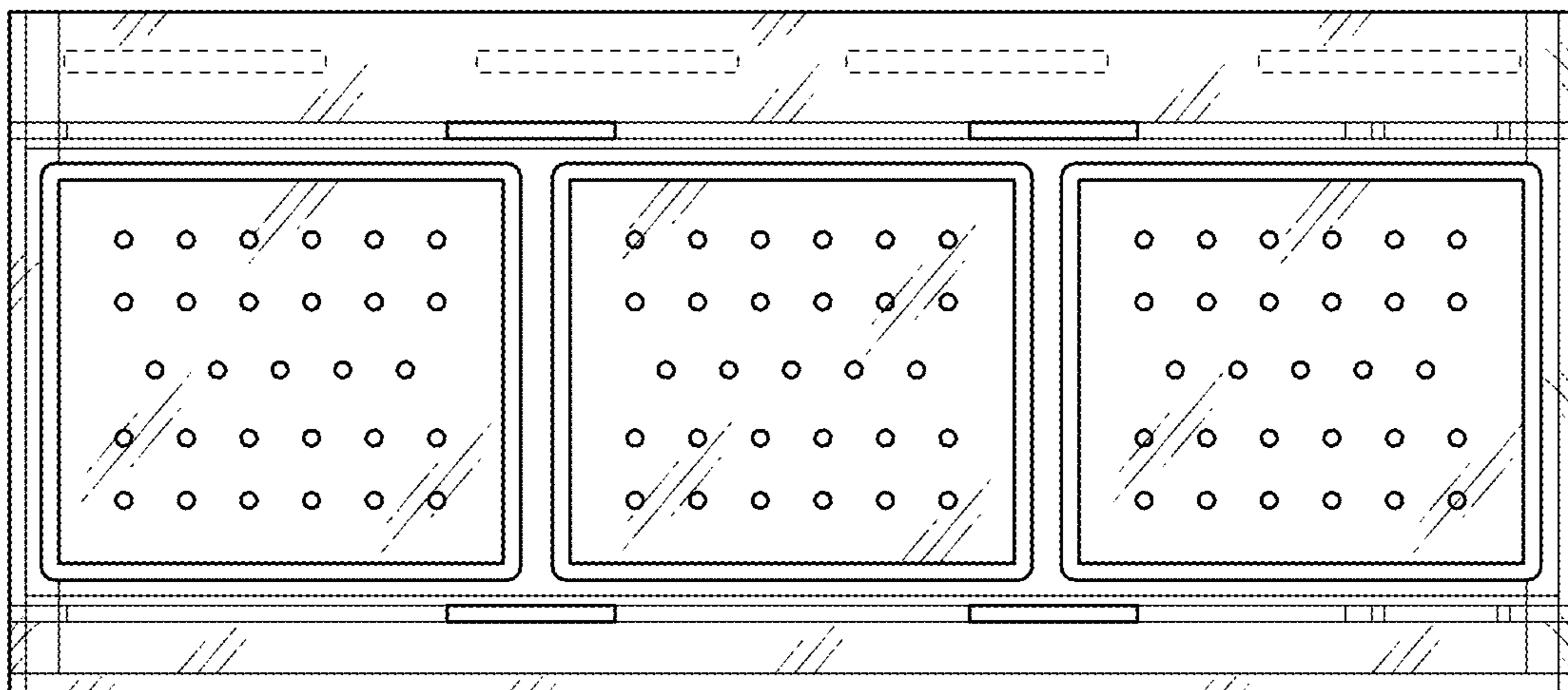


FIG. 7