



US00D979148S

(12) **United States Design Patent**  
**Rogers et al.**

(10) **Patent No.:** **US D979,148 S**

(45) **Date of Patent:** **\*\* Feb. 21, 2023**

(54) **WATER RESCUE EXTRACTION DEVICE**

(71) Applicants: **Michael Scott Rogers**, Rockledge, FL (US); **Matt Haynes**, Birmingham, AL (US)

(72) Inventors: **Michael Scott Rogers**, Rockledge, FL (US); **Matt Haynes**, Birmingham, AL (US)

(\*\*) Term: **15 Years**

(21) Appl. No.: **29/752,066**

(22) Filed: **Sep. 24, 2020**

(51) **LOC (14) Cl.** ..... **02-99**

(52) **U.S. Cl.**  
USPC ..... **D29/124**

(58) **Field of Classification Search**  
USPC ..... D21/803, 809; D29/124  
CPC .... B63C 9/00; B63C 9/08; B63C 9/26; B63C 9/135; B63C 9/065  
See application file for complete search history.

(56) **References Cited**

**U.S. PATENT DOCUMENTS**

- D244,315 S \* 5/1977 Havstad ..... D21/803
- 4,518,364 A \* 5/1985 Jacobson ..... A63B 69/14  
434/254
- 4,621,382 A \* 11/1986 Burriss ..... B63C 9/08  
5/628
- 5,480,332 A \* 1/1996 Cynamon ..... B63C 9/08  
441/84
- D421,413 S \* 3/2000 Calkin ..... B62B 15/007  
D12/128
- 6,073,287 A \* 6/2000 Svensson ..... B63C 9/04  
441/83
- D482,164 S \* 11/2003 Millhollin ..... D29/124
- 6,848,134 B1 \* 2/2005 Schenck ..... A61G 1/00  
5/632
- D649,615 S \* 11/2011 Scott ..... D21/769
- D705,494 S \* 5/2014 Bradley ..... D29/124
- D730,456 S \* 5/2015 Mahoney ..... D21/671

- D765,201 S \* 8/2016 Gibson ..... D21/803
- D800,860 S \* 10/2017 Doherty ..... B63B 17/02  
D21/803
- D842,554 S \* 3/2019 Dempsey ..... D29/124
- 10,501,158 B1 \* 12/2019 DeBoer ..... B63C 9/26
- D921,145 S \* 6/2021 Fox ..... D21/803
- 11,058,592 B2 \* 7/2021 Saxon ..... A61G 1/0231

(Continued)

**FOREIGN PATENT DOCUMENTS**

KR 300910468 \* 6/2017

**OTHER PUBLICATIONS**

Guard Spineboard, available in Amazon.com, date first available Mar. 28, 2019 [online], [site visited Mar. 30, 2022], Available from the internet URL: [https://www.amazon.com/dp/B07XZN3YKL/ref=cm\\_sw\\_em\\_r\\_mt\\_dp\\_071SW6H2XXZJZ2265S33?\\_encoding=UTF8&th=1](https://www.amazon.com/dp/B07XZN3YKL/ref=cm_sw_em_r_mt_dp_071SW6H2XXZJZ2265S33?_encoding=UTF8&th=1) (Year: 2019).\*

(Continued)

*Primary Examiner* — Vy N Koenig  
*Assistant Examiner* — Elizabeth Anne Glassberg

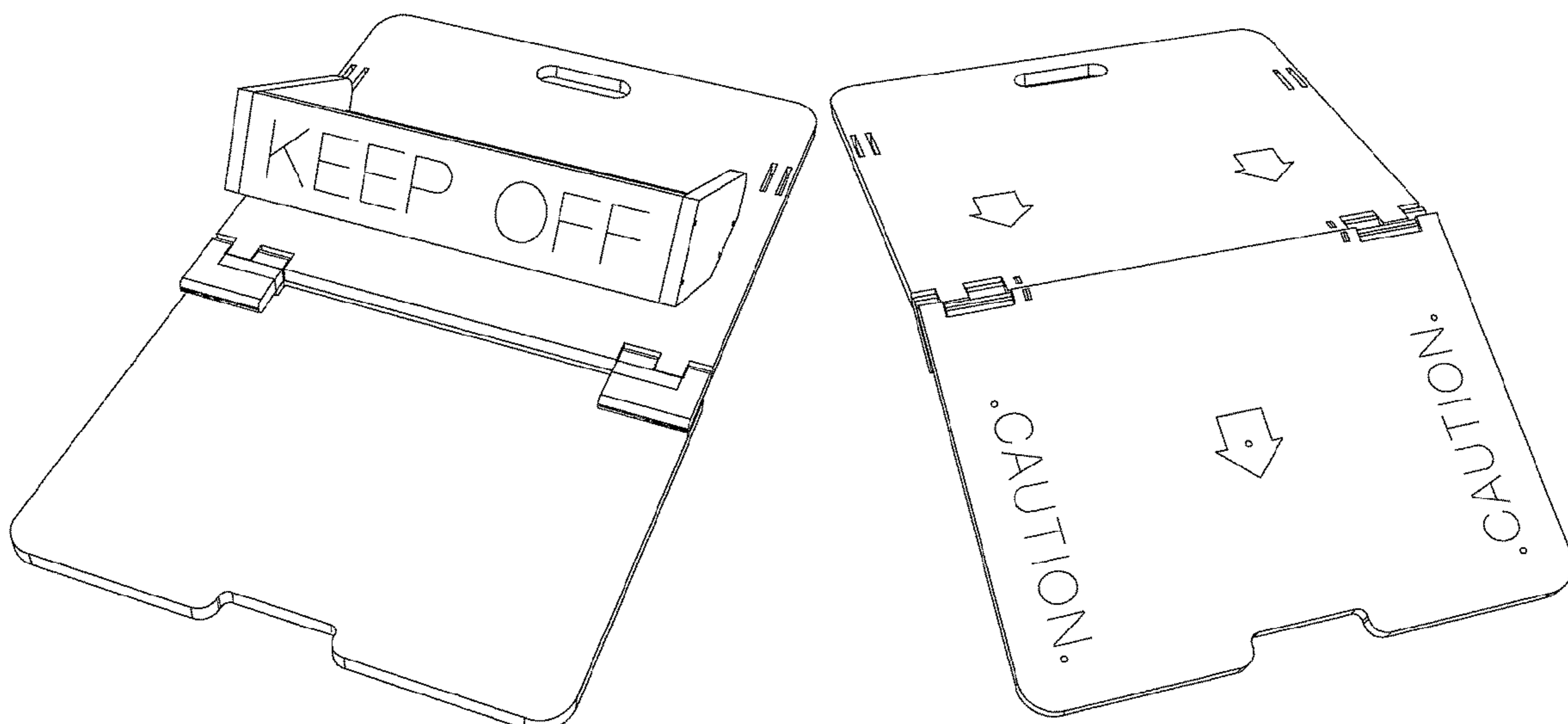
(57) **CLAIM**

The ornamental design for a water rescue extraction device, as shown and described.

**DESCRIPTION**

FIG. 1 is a top view of the water rescue extraction device showing our new design;  
FIG. 2 is a bottom view thereof;  
FIG. 3 is a side view thereof;  
FIG. 4 is a front view thereof;  
FIG. 5 is a bottom perspective view thereof;  
FIG. 6 is a top perspective view thereof;  
FIG. 7 is a back view thereof;  
FIG. 8 is a back closed view thereof; and,  
FIG. 9 is a front closed view thereof.

**1 Claim, 9 Drawing Sheets**



(56)

**References Cited**

U.S. PATENT DOCUMENTS

2010/0005593 A1\* 1/2010 Bowling ..... A61G 1/013  
5/628  
2016/0046356 A1\* 2/2016 Minecci ..... B63C 9/26  
440/44

OTHER PUBLICATIONS

4 Fold Waterproof Stretcher, available in Amazon.ca, date first available Nov. 27, 2021 [online], [site visited Mar. 30, 2022], Available from the internet URL: [https://www.amazon.ca/dp/B09MN7HMMN/ref=cm\\_sw\\_em\\_r\\_mt\\_dp\\_ZESR6SPDSVE1PBR6G1B5](https://www.amazon.ca/dp/B09MN7HMMN/ref=cm_sw_em_r_mt_dp_ZESR6SPDSVE1PBR6G1B5) (Year: 2021).\*

\* cited by examiner

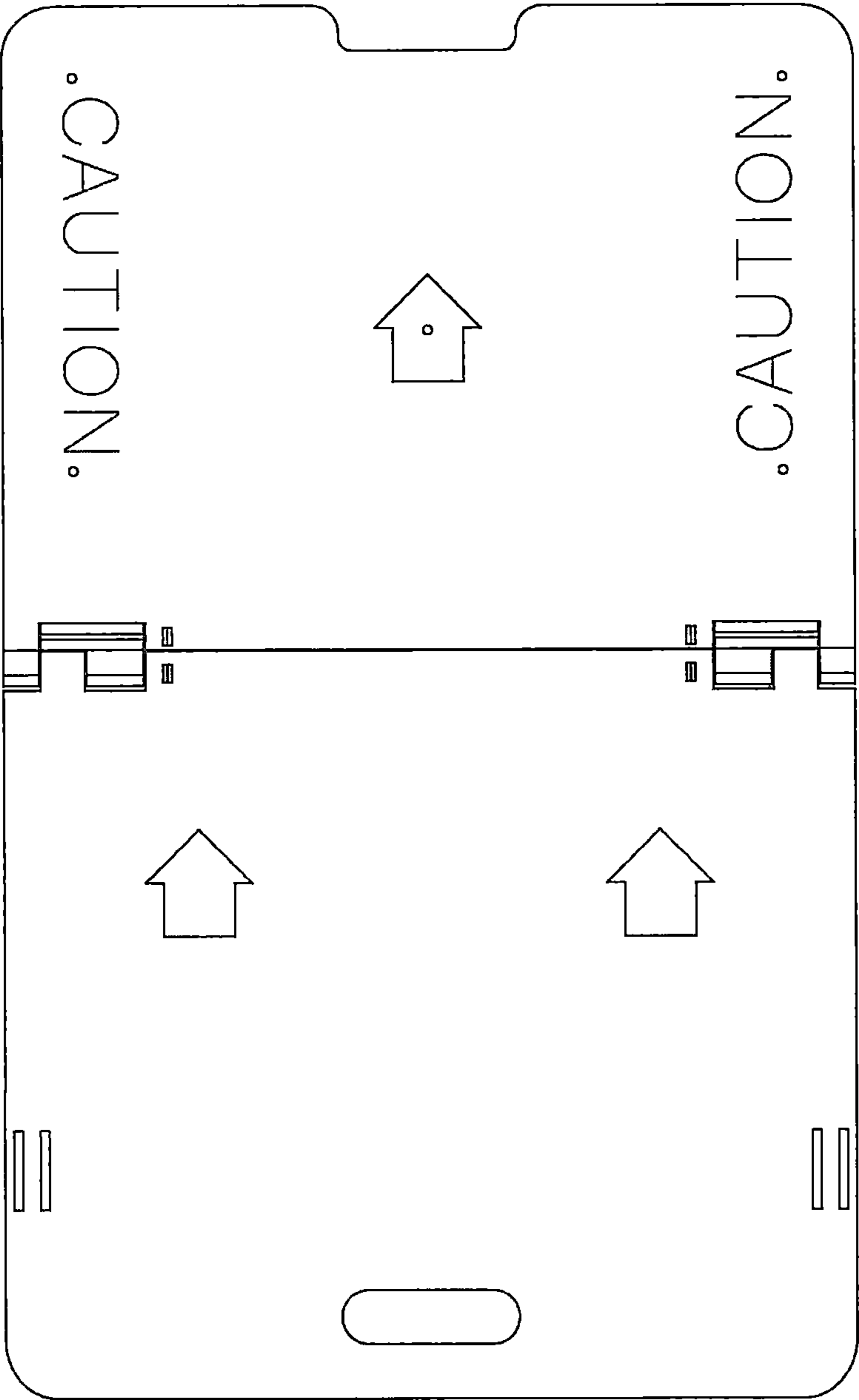


FIG. 1

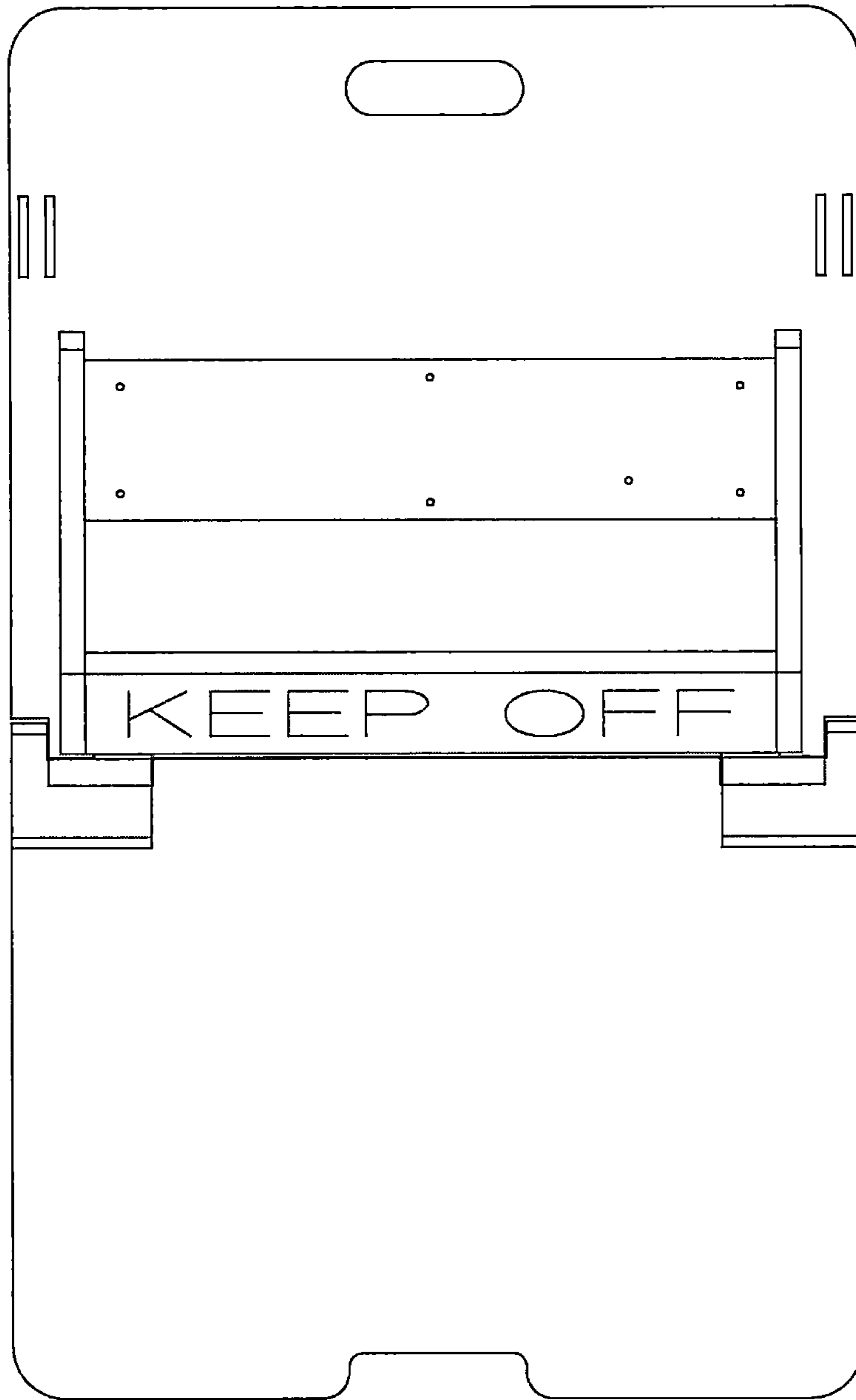


FIG. 2

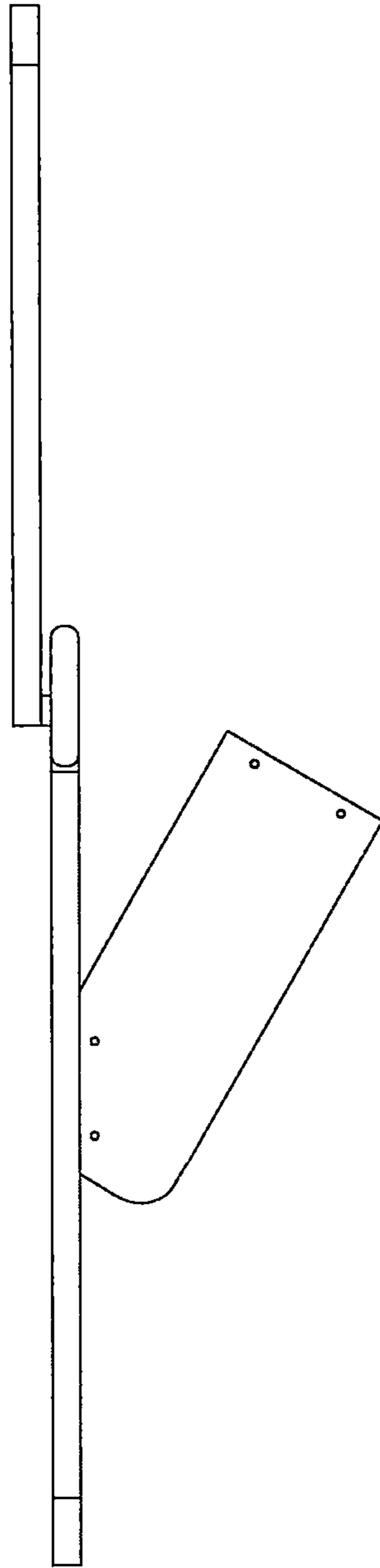


FIG. 3

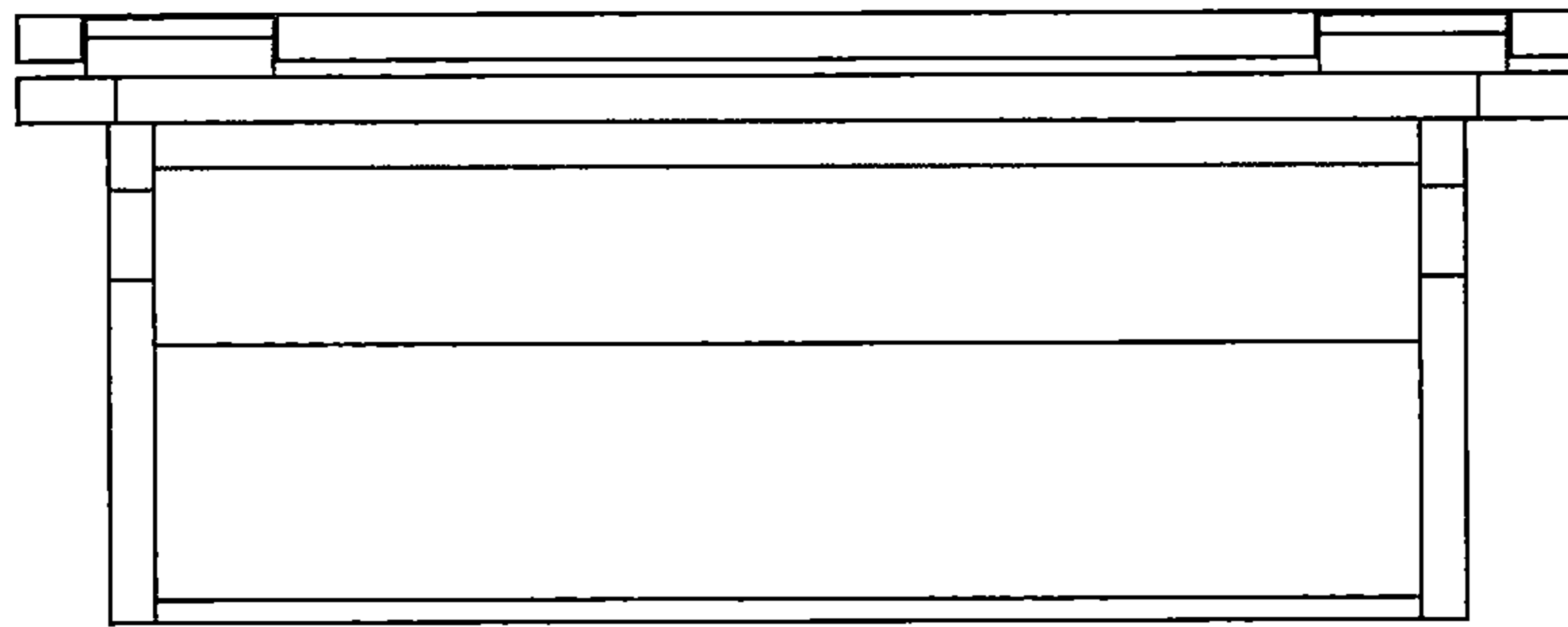


FIG. 4

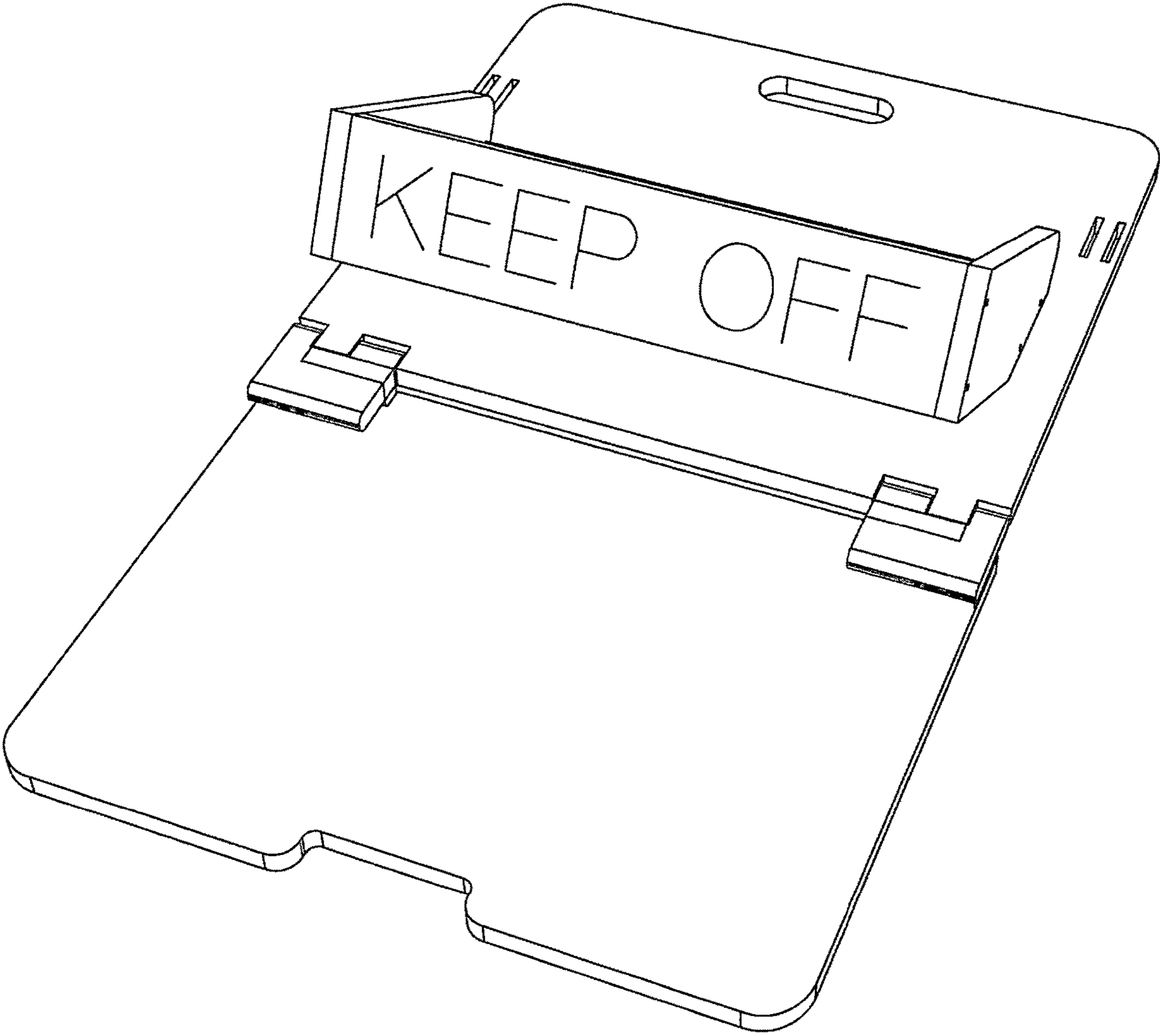


FIG. 5

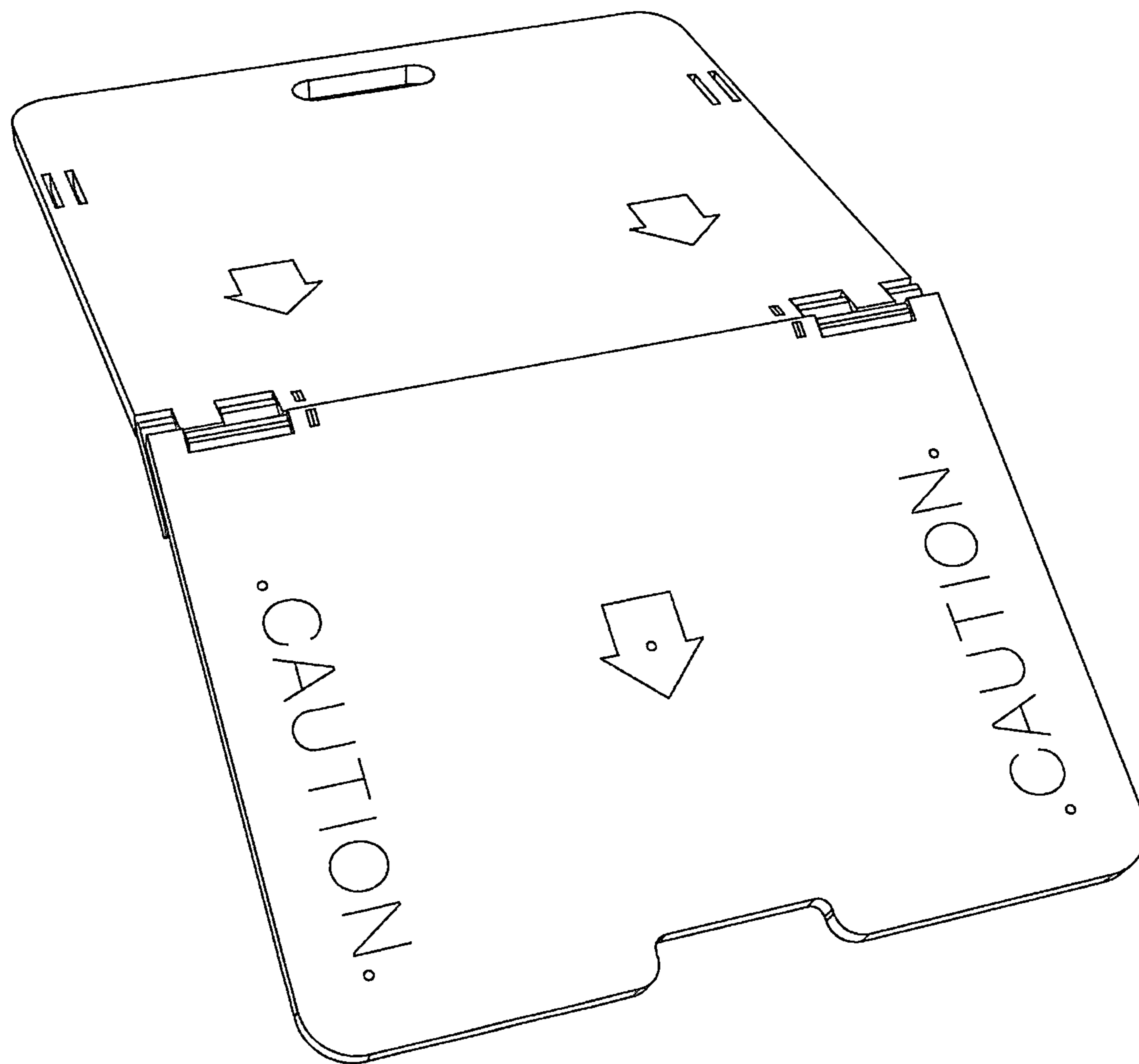


FIG. 6



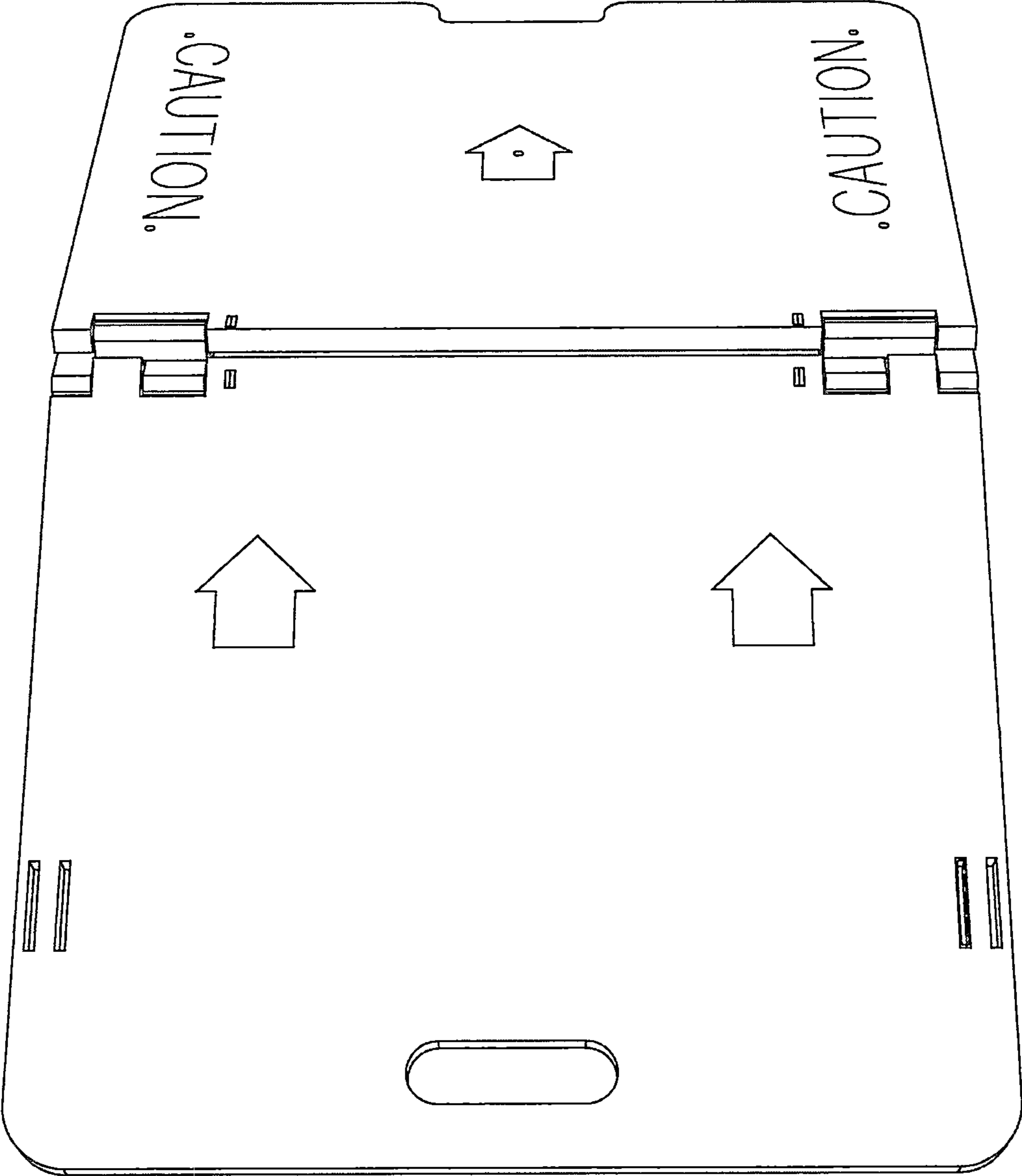


FIG. 7

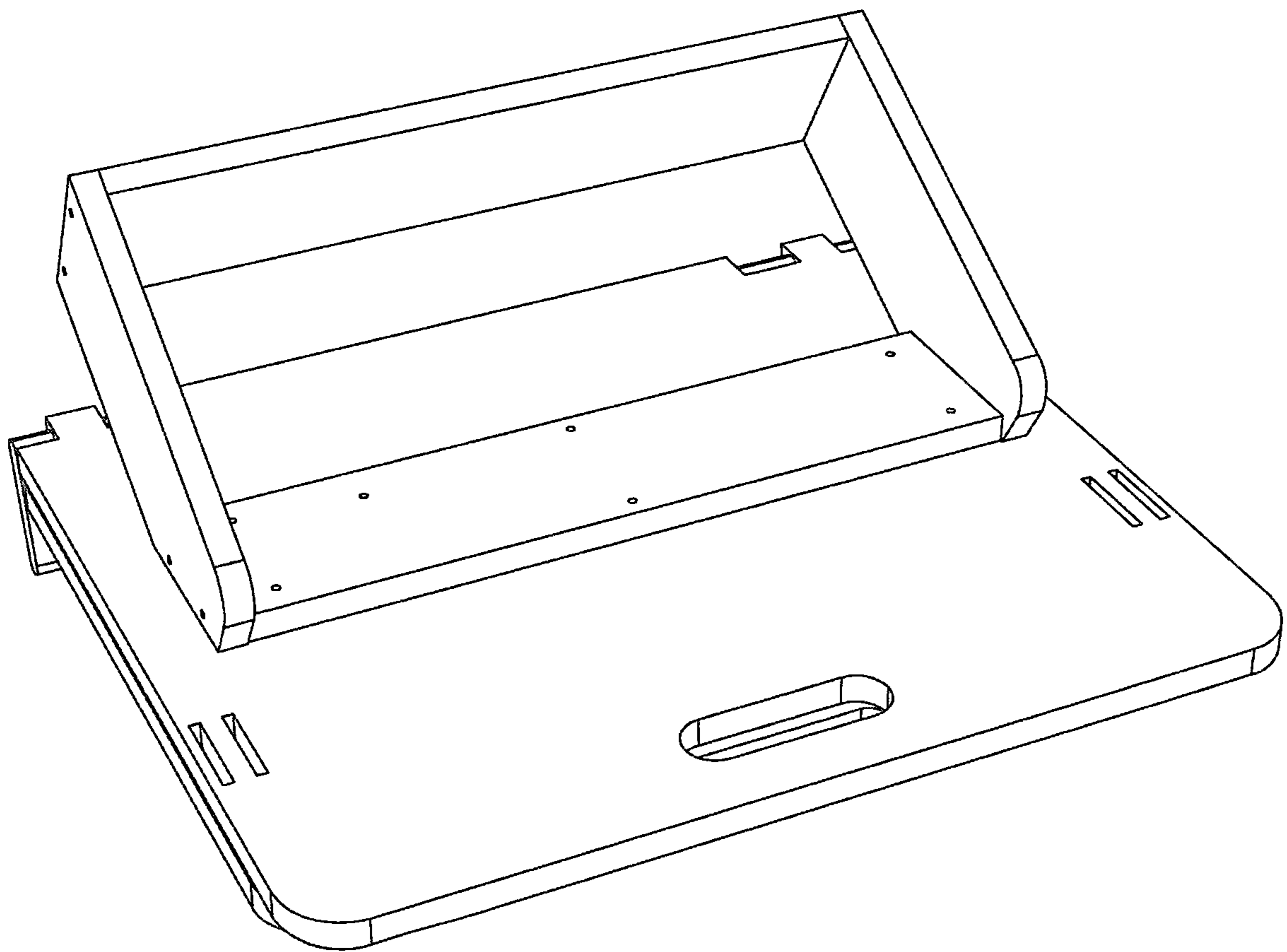


FIG. 8

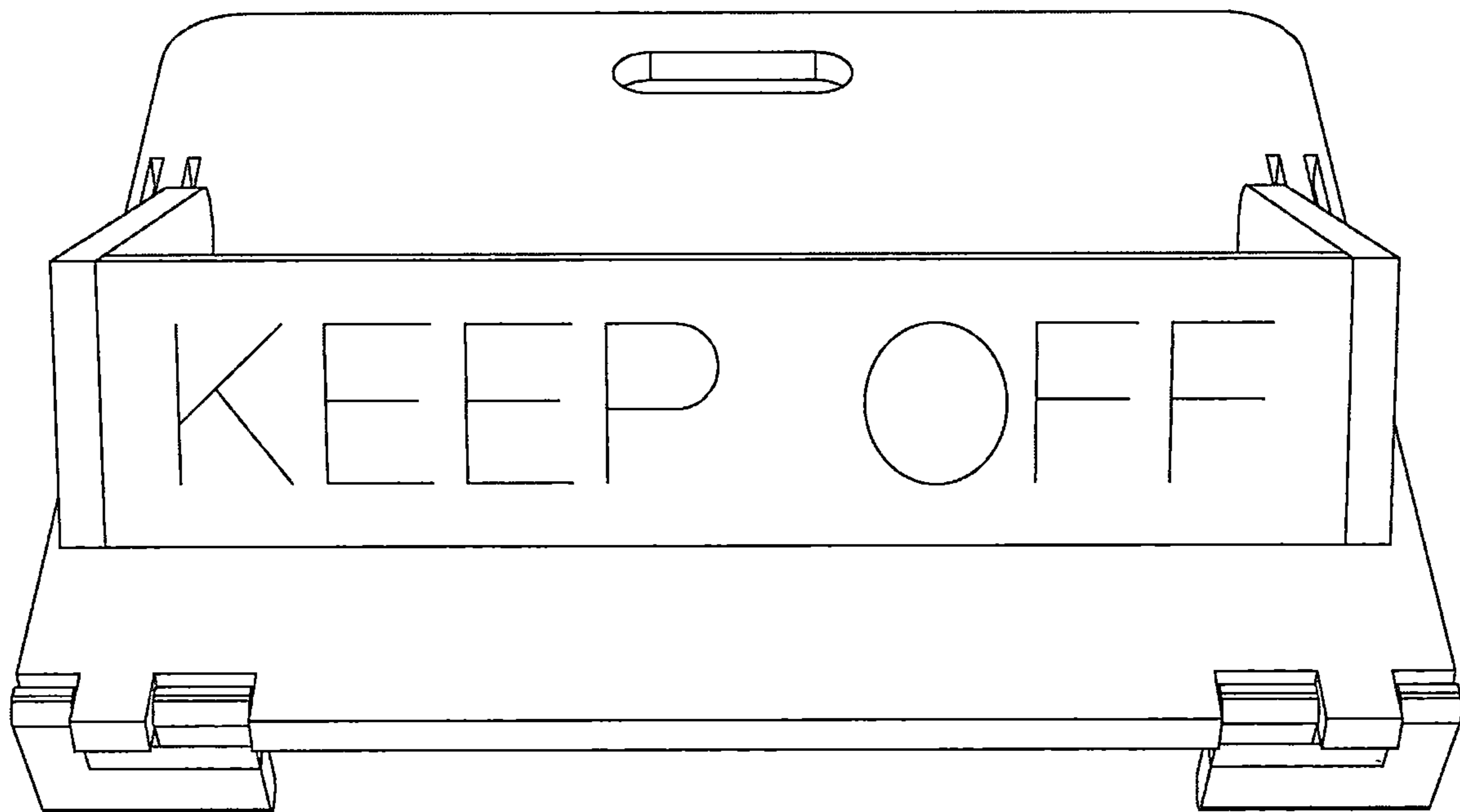


FIG. 9