



US00D979147S

(12) **United States Design Patent** (10) **Patent No.:** **US D979,147 S**
Curry et al. (45) **Date of Patent:** **** Feb. 21, 2023**

(54) **EAR GUARD**
(71) Applicants: **Beverly Curry**, Niles, IL (US); **Linda Collier**, Niles, IL (US); **Ryan Webb**, Niles, IL (US)
(72) Inventors: **Beverly Curry**, Niles, IL (US); **Linda Collier**, Niles, IL (US); **Ryan Webb**, Niles, IL (US)

D767,212 S 9/2016 Tardy
D769,537 S * 10/2016 Dexter D29/112
9,456,668 B1 * 10/2016 Lafayette, Jr. A44C 7/009
D777,989 S * 1/2017 Gerspach D29/112
D814,457 S * 4/2018 Willis D14/344
2001/0029622 A1 10/2001 Bose
2009/0077715 A1 3/2009 Jack
2012/0017359 A1 1/2012 Parris
(Continued)

(**) Term: **15 Years**
(21) Appl. No.: **29/733,103**

FOREIGN PATENT DOCUMENTS

CN 307174598 * 3/2022
WO WO2012076732 6/2012

(22) Filed: **Apr. 29, 2020**
(51) **LOC (14) Cl.** **29-02**
(52) **U.S. Cl.**
USPC **D29/112**
(58) **Field of Classification Search**
USPC D29/100, 108, 112
CPC . A42B 3/16; A42B 3/163; A61F 11/06; A61F 11/14; A61F 11/145
See application file for complete search history.

OTHER PUBLICATIONS

Instagram, "earsplintz", first available Jan. 21, 2020. (<https://www.instagram.com/p/B7libWgpxB3/>) (Year: 2020).*
(Continued)

Primary Examiner — Lauren D McVey
Assistant Examiner — Justin A Johnson

(56) **References Cited**

(57) **CLAIM**

The ornamental design for an ear guard, as shown and described.

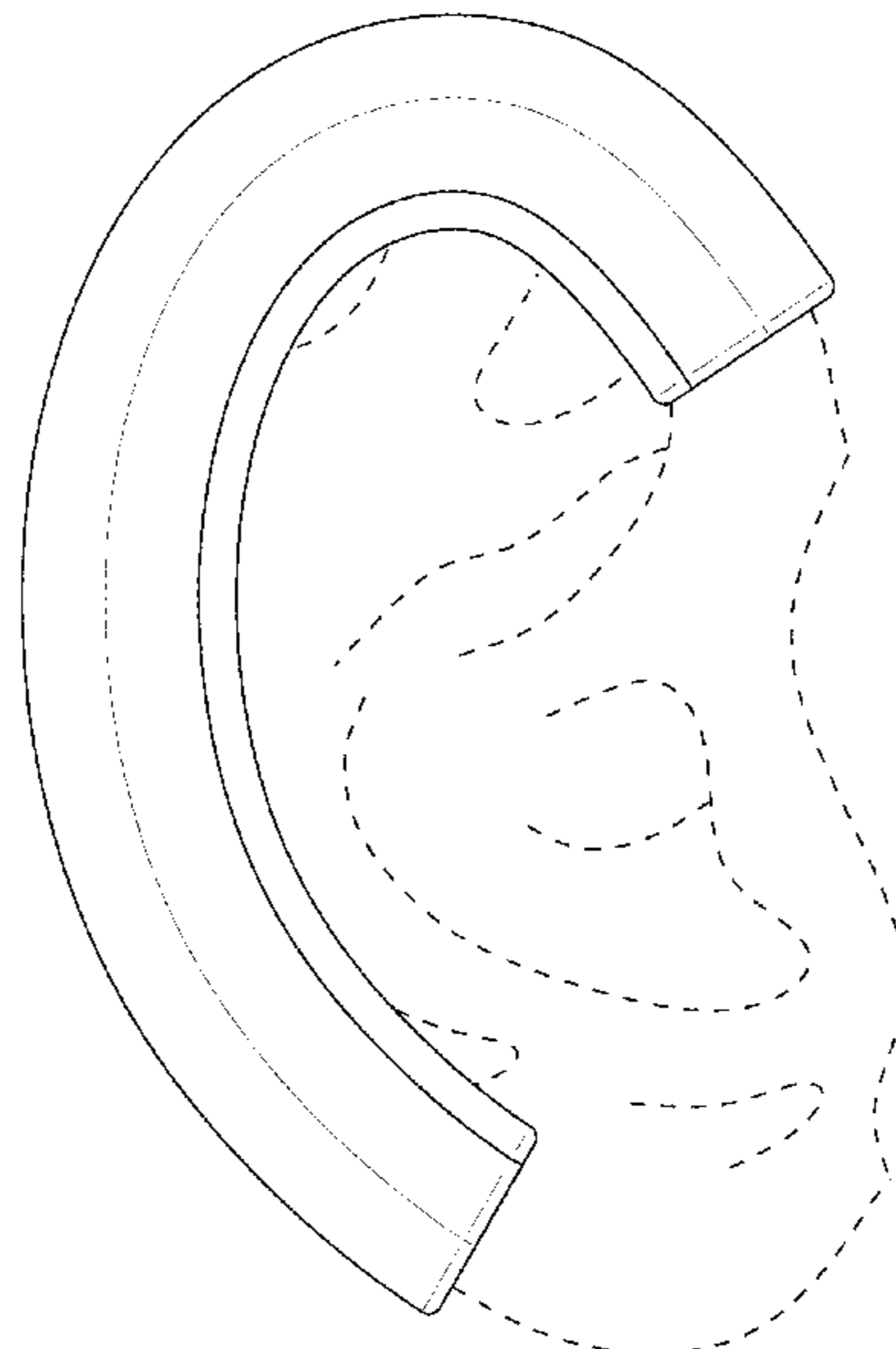
U.S. PATENT DOCUMENTS

DESCRIPTION

1,619,772 A * 3/1927 Thompson A45D 44/12
D29/112
1,697,102 A * 1/1929 Barrington A45D 44/12
2/209
3,452,365 A 7/1969 Wallace
D267,286 S * 12/1982 Anderie D29/112
D299,119 S * 12/1988 Frederick D11/42
D374,508 S 10/1996 Walker-Whitelaw
D399,607 S * 10/1998 Davis D29/112
D443,730 S * 6/2001 Tsujino D29/112
6,976,275 B1 * 12/2005 Liu A61F 11/14
2/209
7,469,429 B1 12/2008 Lanclos
D613,459 S 4/2010 Bywater
D632,438 S 2/2011 Franklin
D687,189 S * 7/2013 Fairclough D29/112

FIG. 1 is a front view of an ear guard showing our new design;
FIG. 2 is a rear view of the ear guard;
FIG. 3 is a right side view of the ear guard;
FIG. 4 is a left side view of the ear guard;
FIG. 5 is a top view of the ear guard;
FIG. 6 is a bottom view of the ear guard; and,
FIG. 7 is a top front side perspective view of the ear guard.
The broken lines in FIG. 1 are illustrative of environmental structure forming no part of the claimed design.

1 Claim, 5 Drawing Sheets



(56)

References Cited

U.S. PATENT DOCUMENTS

2012/0324636 A1 * 12/2012 Schwochert A45D 44/12
2/423

2013/0068238 A1 3/2013 Parris

OTHER PUBLICATIONS

Amazon, "SUZALA 5 Pairs Ear Protectors", first available Apr. 11, 2020. (<https://www.amazon.com/SUZALA-Protectors-Protection-Anti-Leak-Accessories/dp/B087125FZF?th=1>) (Year: 2020).*

Amazon, "Silicone Comfortable Pad of Ear Straps", first available Jul. 3, 2020. (<https://www.amazon.com/dp/B08C9LZJBW/>) (Year: 2020).*

Amazon, "OKAICEN Soft Silicone Earloop Ear Protector", first available Feb. 27, 2022. (<https://www.amazon.com/dp/B09TJMQGGC/>) (Year: 2022).*

* cited by examiner

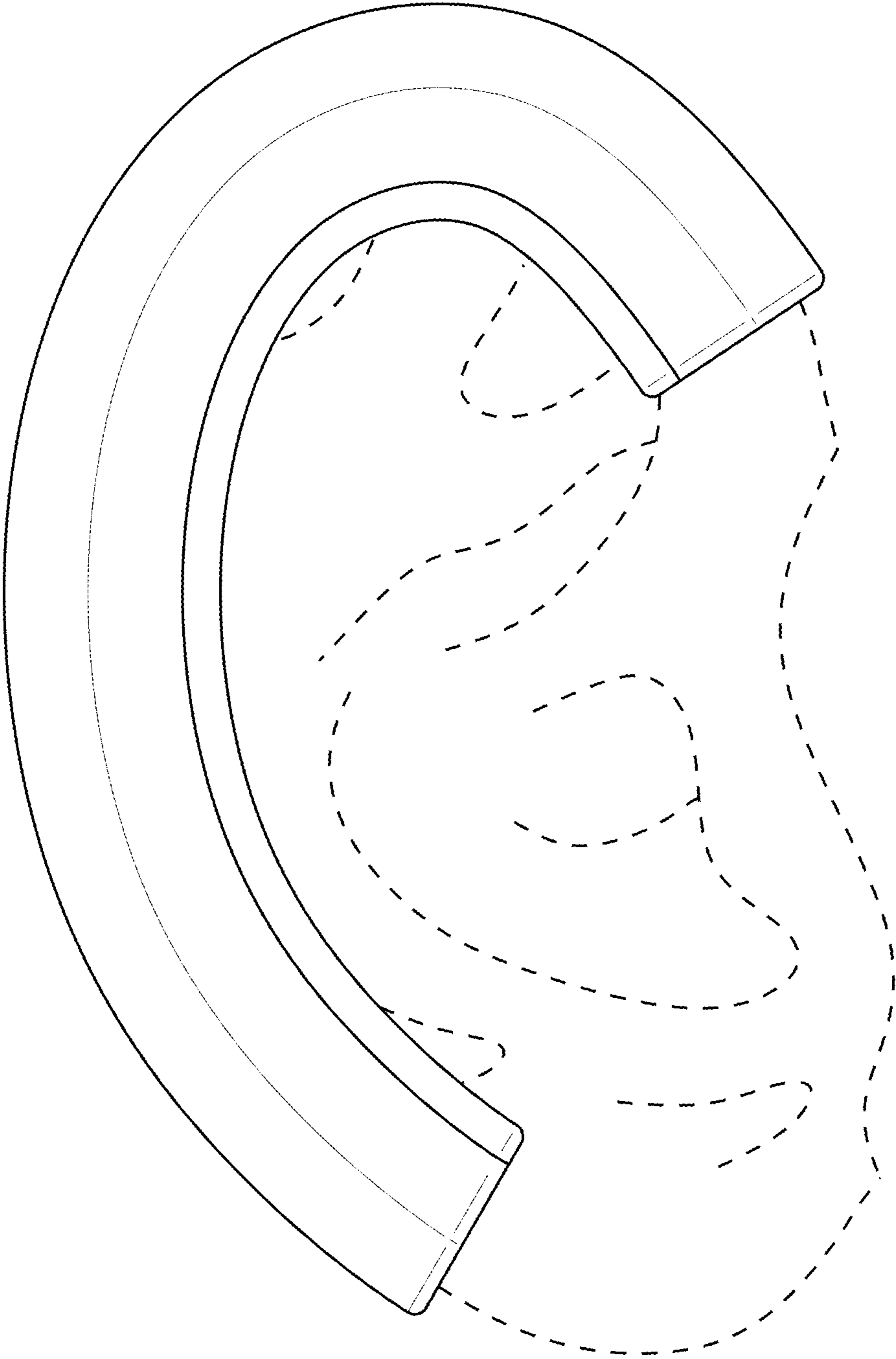


FIG. 1

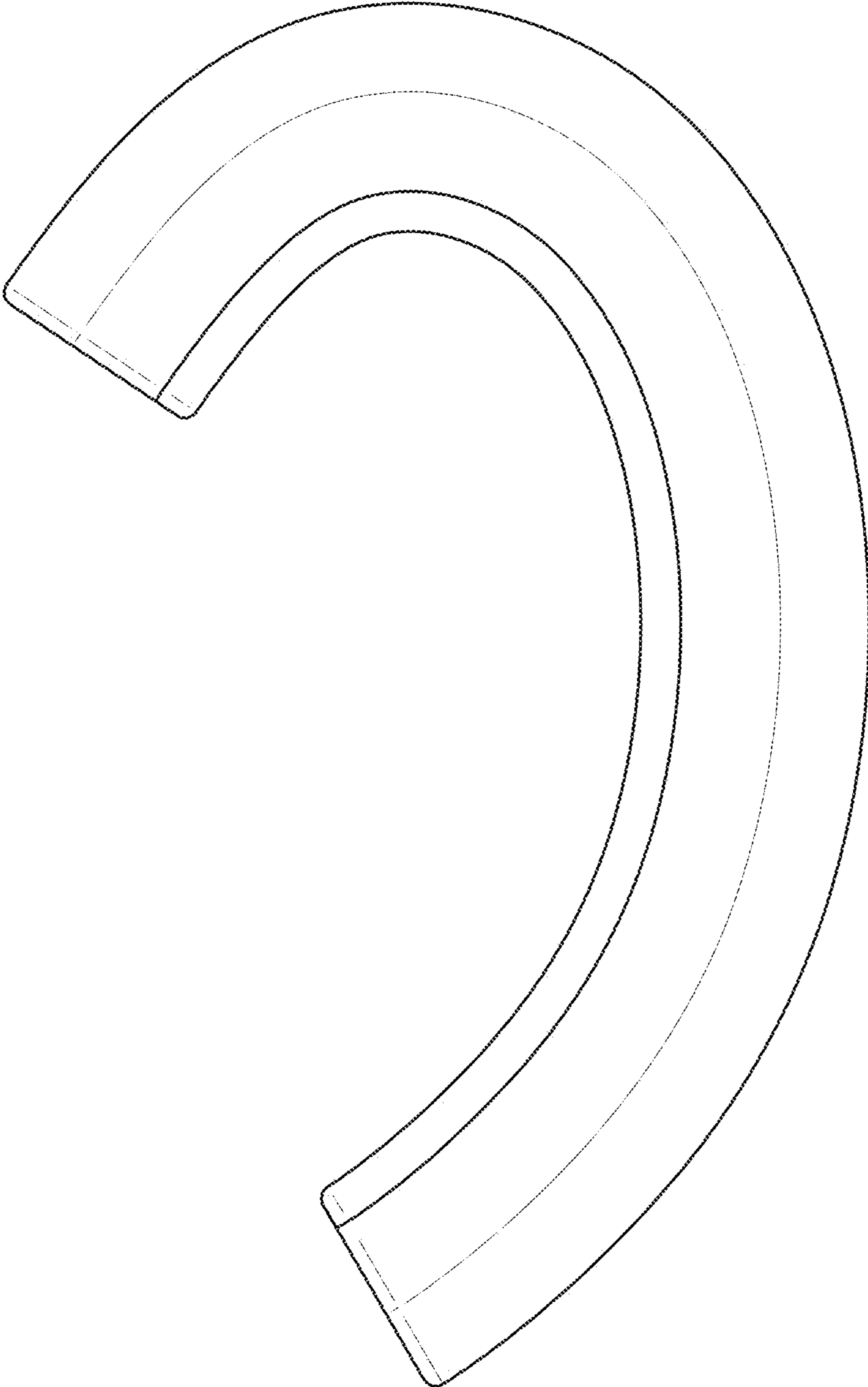


FIG. 2

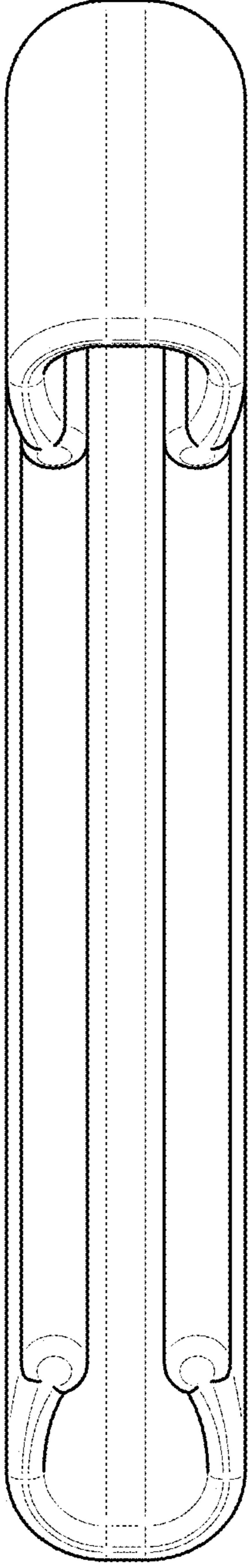


FIG. 3

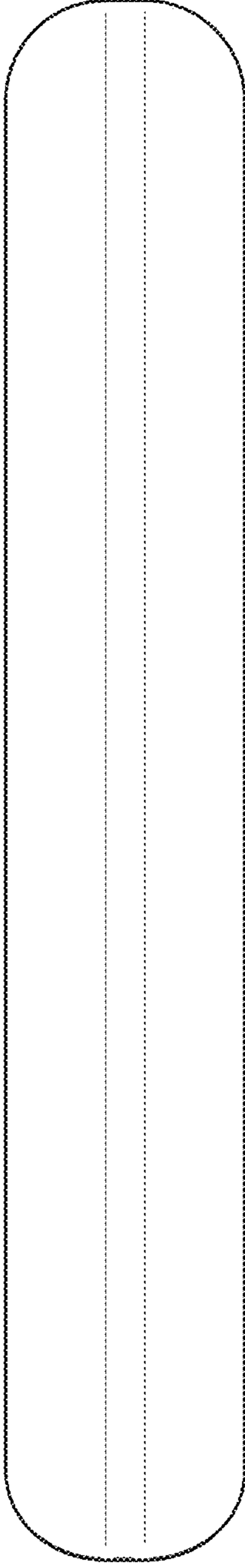


FIG. 4

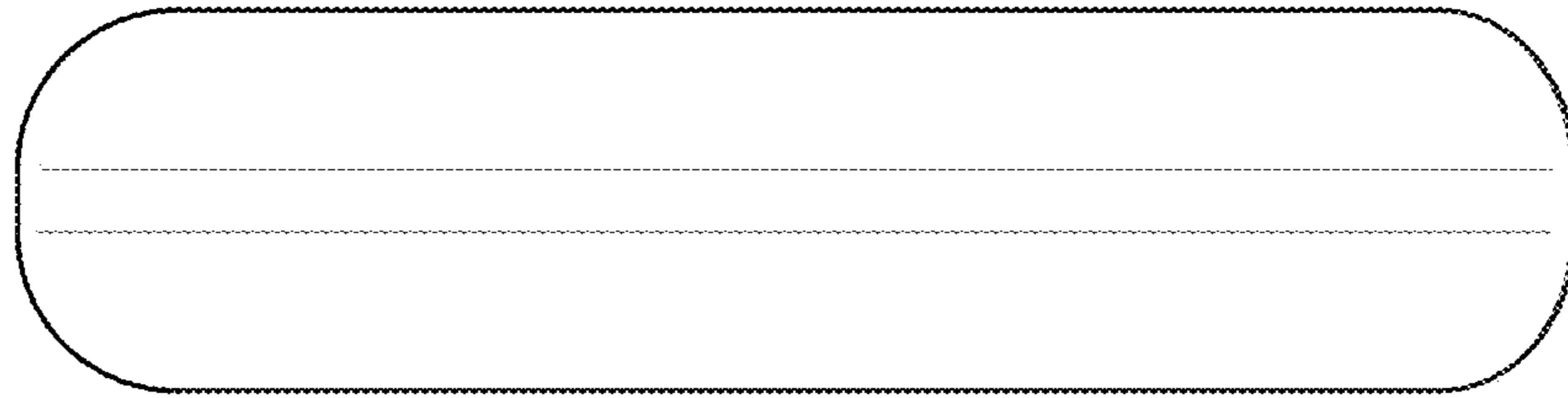


FIG. 5

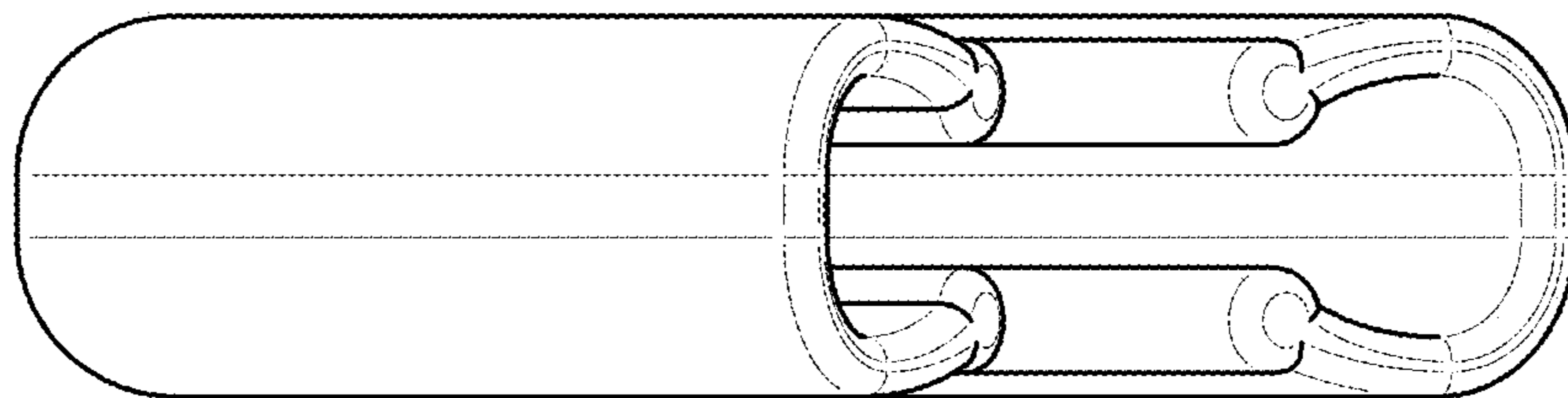


FIG. 6

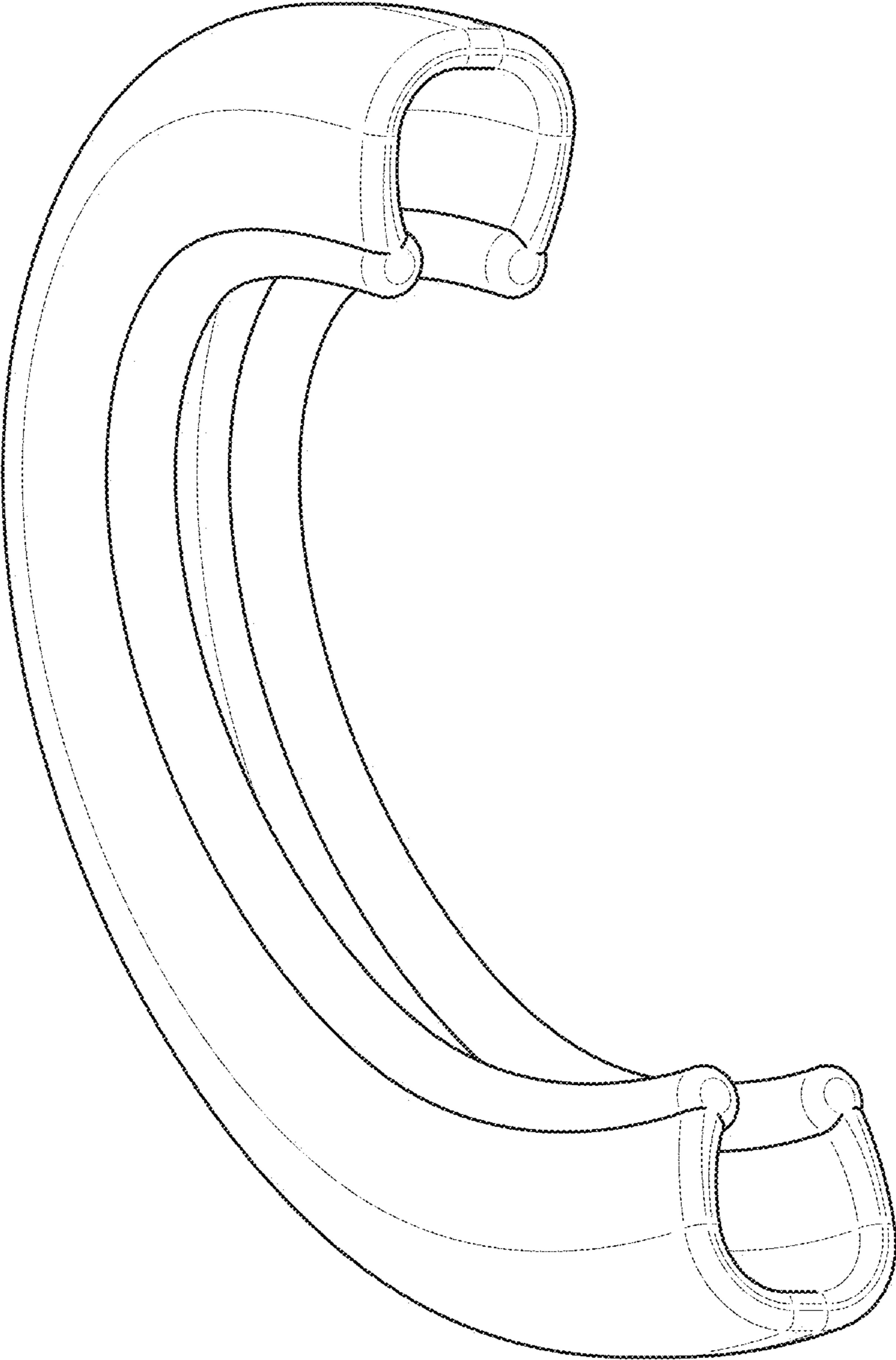


FIG. 7