



US00D979139S

(12) **United States Design Patent** (10) **Patent No.:** **US D979,139 S**  
**Xu** (45) **Date of Patent:** **\*\* Feb. 21, 2023**

(54) **HAIR CLIPPER**

D931,537 S \* 9/2021 Werner ..... D28/53  
D939,774 S \* 12/2021 Jiang ..... D28/53  
2017/0305021 A1\* 10/2017 Skuhra ..... B26B 19/3866

(71) Applicant: **Haiyan Xu**, Zhejiang (CN)

(72) Inventor: **Haiyan Xu**, Zhejiang (CN)

(\*\*) Term: **15 Years**

(21) Appl. No.: **29/757,760**

(22) Filed: **Nov. 9, 2020**

(51) **LOC (14) Cl.** ..... **28-03**

(52) **U.S. Cl.**  
USPC ..... **D28/53**

(58) **Field of Classification Search**  
USPC ..... D28/49-54; D30/158-159  
CPC ..... B26B 19/00; B26B 19/04; B26B 19/06;  
B26B 19/10; B26B 19/18; B26B 19/38;  
B26B 19/20; B26B 19/28; B26B 19/30;  
B26B 19/3873; B26B 19/3853

See application file for complete search history.

(56) **References Cited**

**U.S. PATENT DOCUMENTS**

9,038,276 B2 \* 5/2015 Arndt ..... B26B 19/06  
30/208  
D844,245 S \* 3/2019 Wu ..... D28/53  
D846,192 S \* 4/2019 Wu ..... D28/53  
D911,611 S \* 2/2021 Jiang ..... D28/53  
D911,612 S \* 2/2021 Jiang ..... D28/53  
D911,613 S \* 2/2021 Jiang ..... D28/53  
D911,614 S \* 2/2021 Jiang ..... D28/53  
D912,327 S \* 3/2021 Jiang ..... D28/53  
D923,249 S \* 6/2021 Jiang ..... D28/53  
D930,903 S \* 9/2021 Zhuang ..... D28/53

**OTHER PUBLICATIONS**

Hatteker Mens Hair Clipper, first available on Nov. 24, 2020 on amazon.co.uk, retrieved on Jul. 15, 2022, retrieved from: [https://www.amazon.co.uk/dp/B08P33FCR2?pd\\_rd\\_i=B08P33FCR2&pf\\_rd\\_p=62eb582a-5bfd-47e9-8ecc-7a241d1911c4&pf\\_rd\\_r=DXEE2CRZGR6TZ5BM8A8D&pd\\_rd\\_wg=pgmPd&pd\\_rd\\_w=pjzZw&pd\\_rd\\_r=e4904c93-cb98-4898-aae6-7cdbb51](https://www.amazon.co.uk/dp/B08P33FCR2?pd_rd_i=B08P33FCR2&pf_rd_p=62eb582a-5bfd-47e9-8ecc-7a241d1911c4&pf_rd_r=DXEE2CRZGR6TZ5BM8A8D&pd_rd_wg=pgmPd&pd_rd_w=pjzZw&pd_rd_r=e4904c93-cb98-4898-aae6-7cdbb51).\*

\* cited by examiner

*Primary Examiner* — Alison M Ofstun

(74) *Attorney, Agent, or Firm* — ScienBiziP, P.C.

(57) **CLAIM**

The ornamental design for a hair clipper, as shown and described.

**DESCRIPTION**

FIG. 1 is a front perspective view of a hair clipper, showing my design.

FIG. 2 is a rear perspective view thereof.

FIG. 3 is a front elevation view thereof.

FIG. 4 is a rear elevation view thereof.

FIG. 5 is a left side elevation thereof.

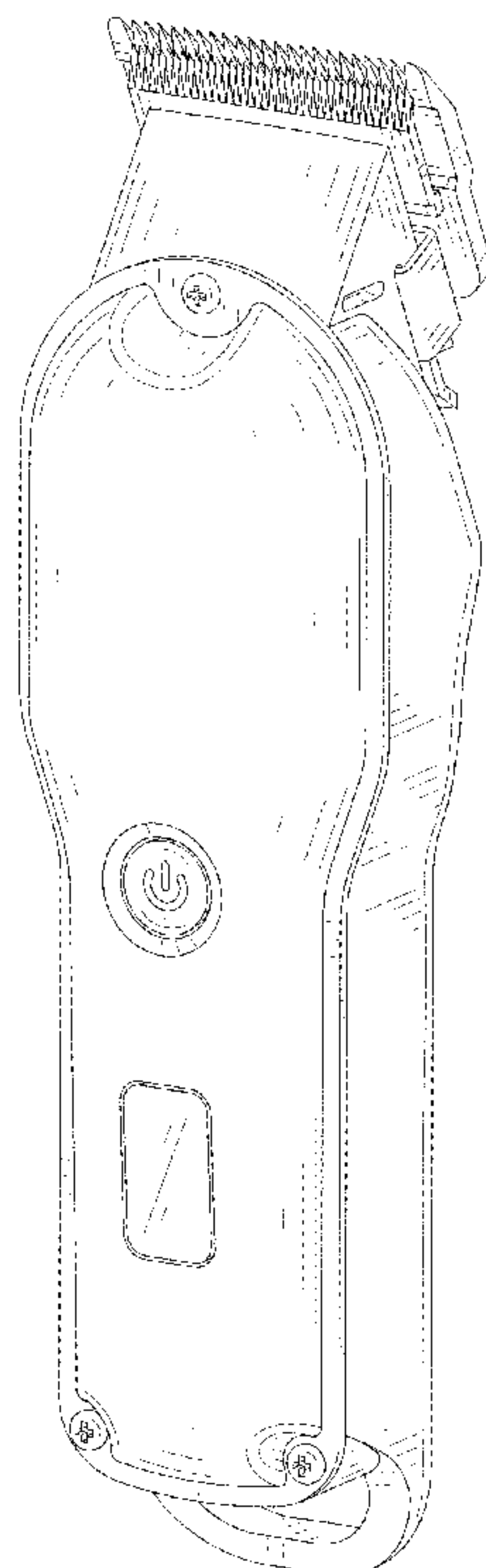
FIG. 6 is a right side elevation thereof.

FIG. 7 is a top plan view thereof; and,

FIG. 8 is a bottom plan view thereof.

In the drawings, the broken lines illustrate portions of the article which form no part of the claimed design.

**1 Claim, 8 Drawing Sheets**



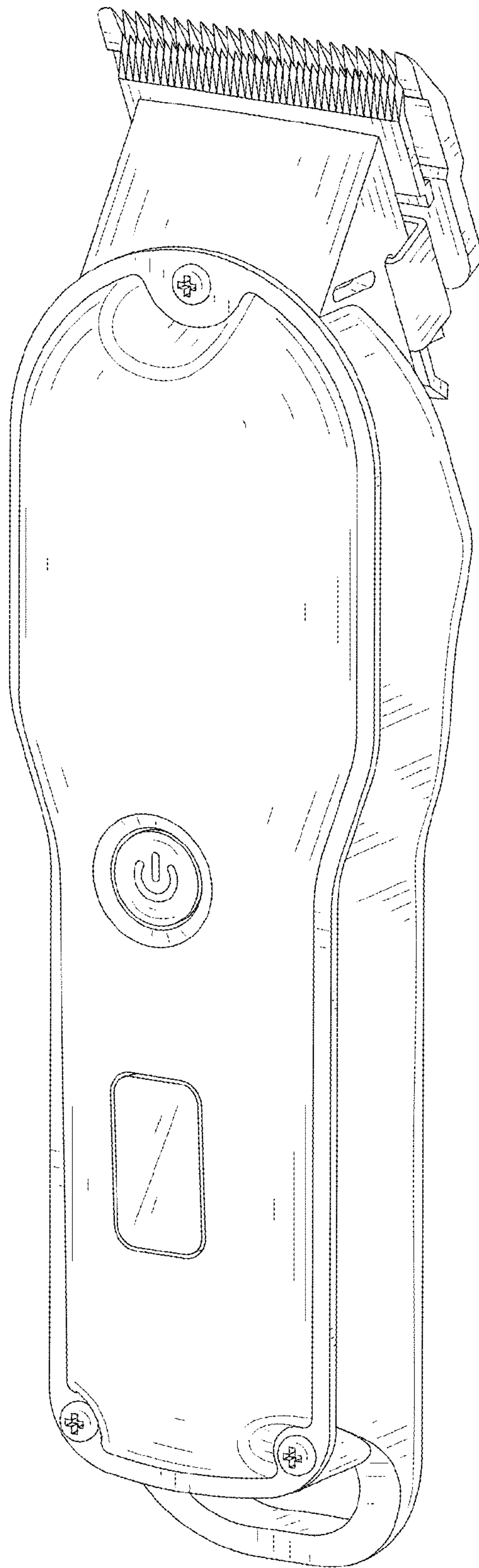


FIG. 1

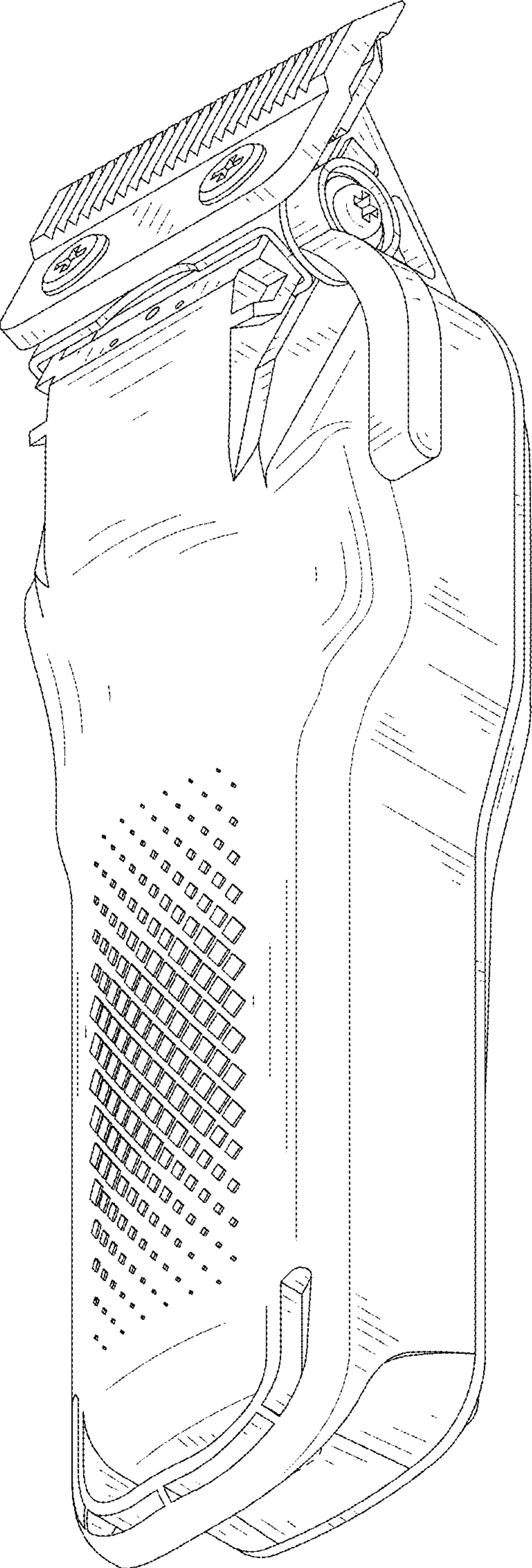


FIG. 2

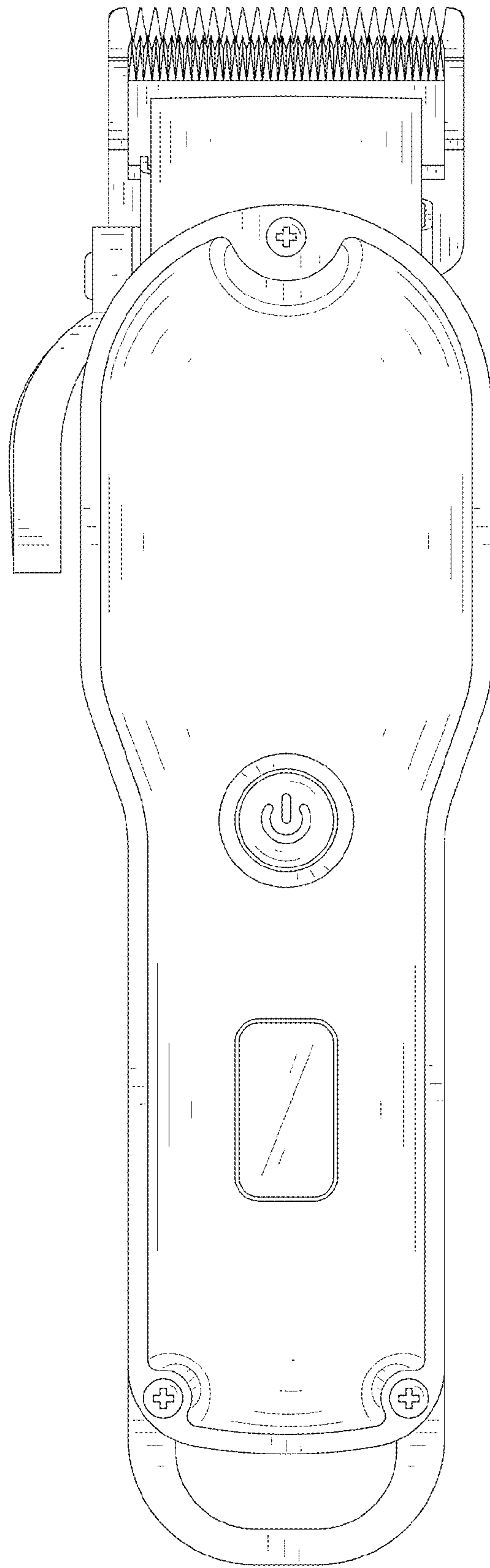


FIG. 3



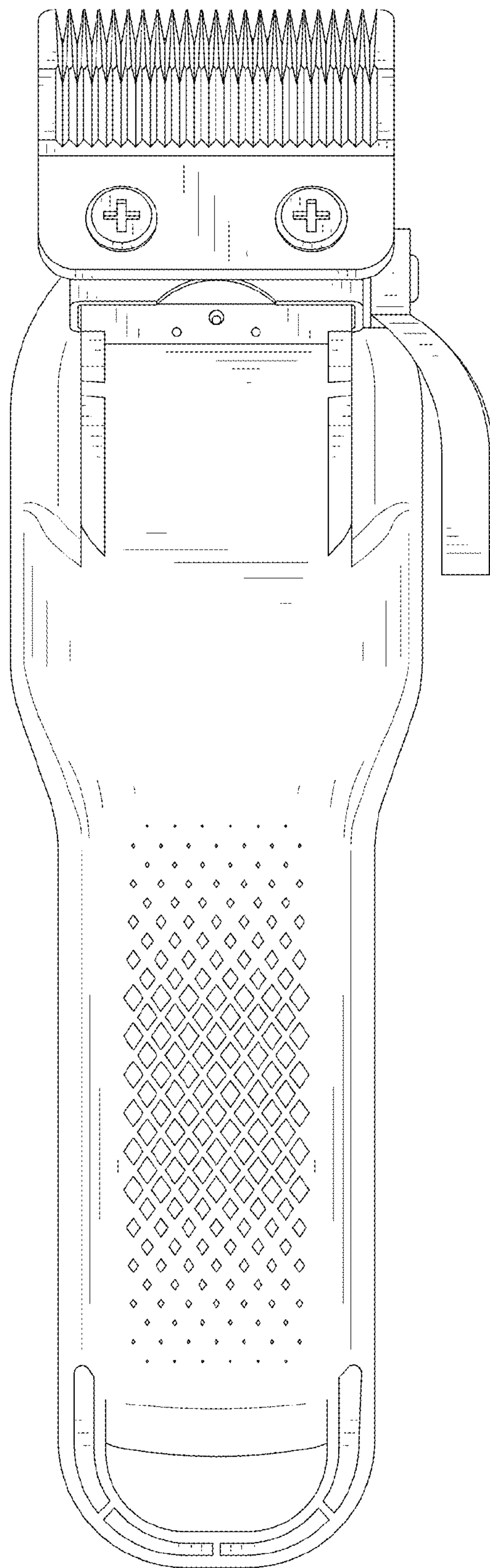


FIG. 4

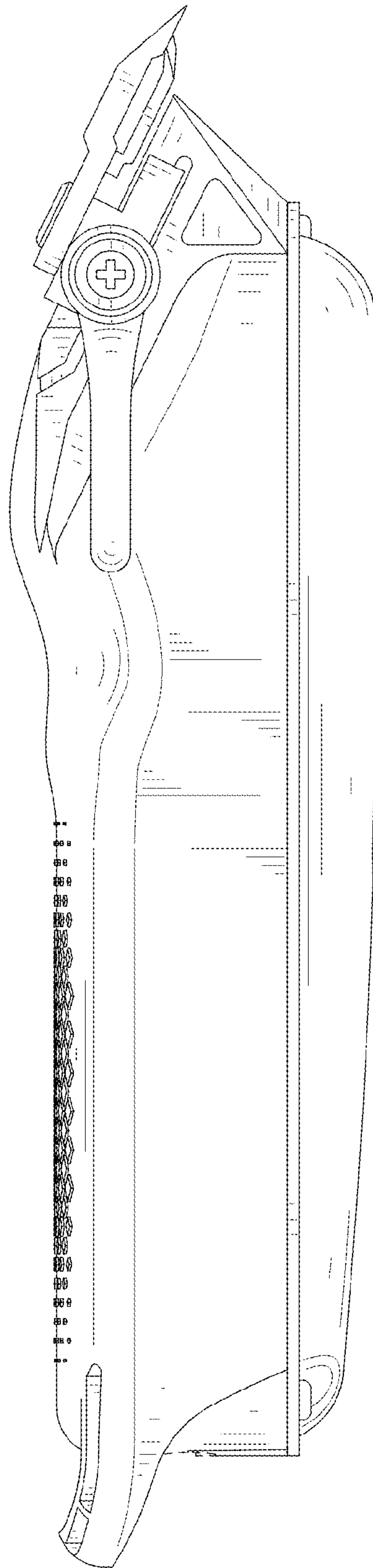


FIG. 5

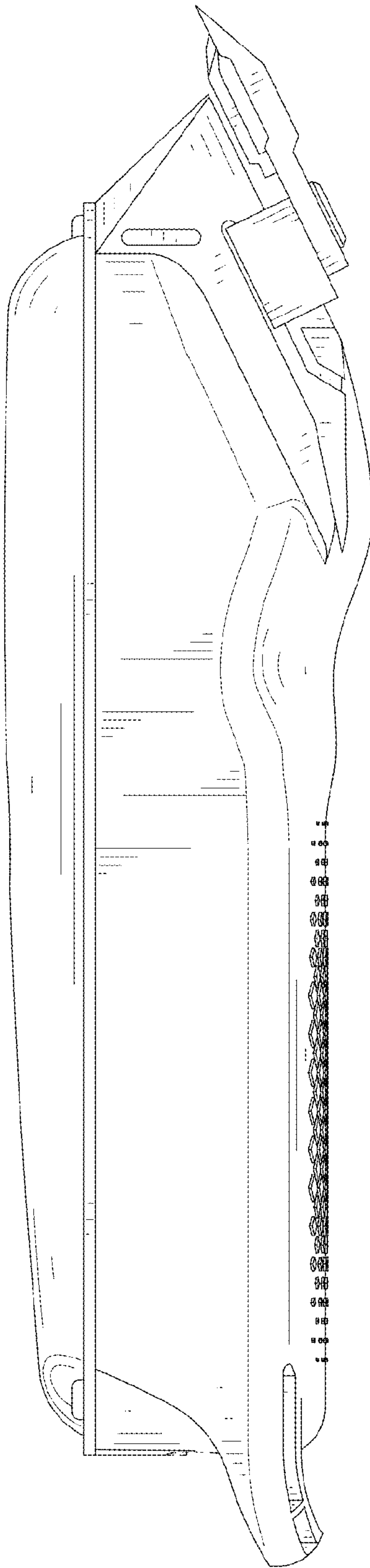


FIG. 6

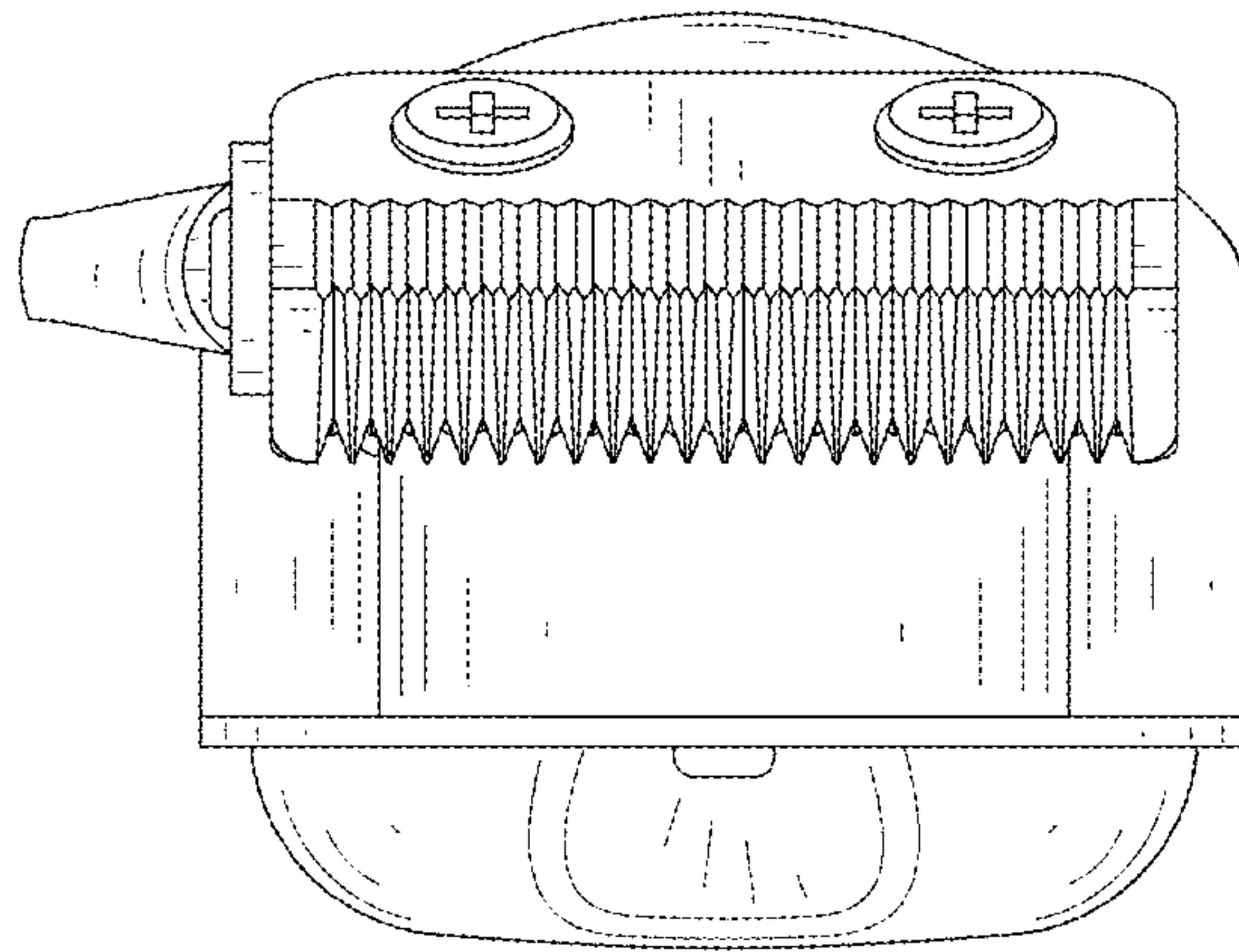


FIG. 7



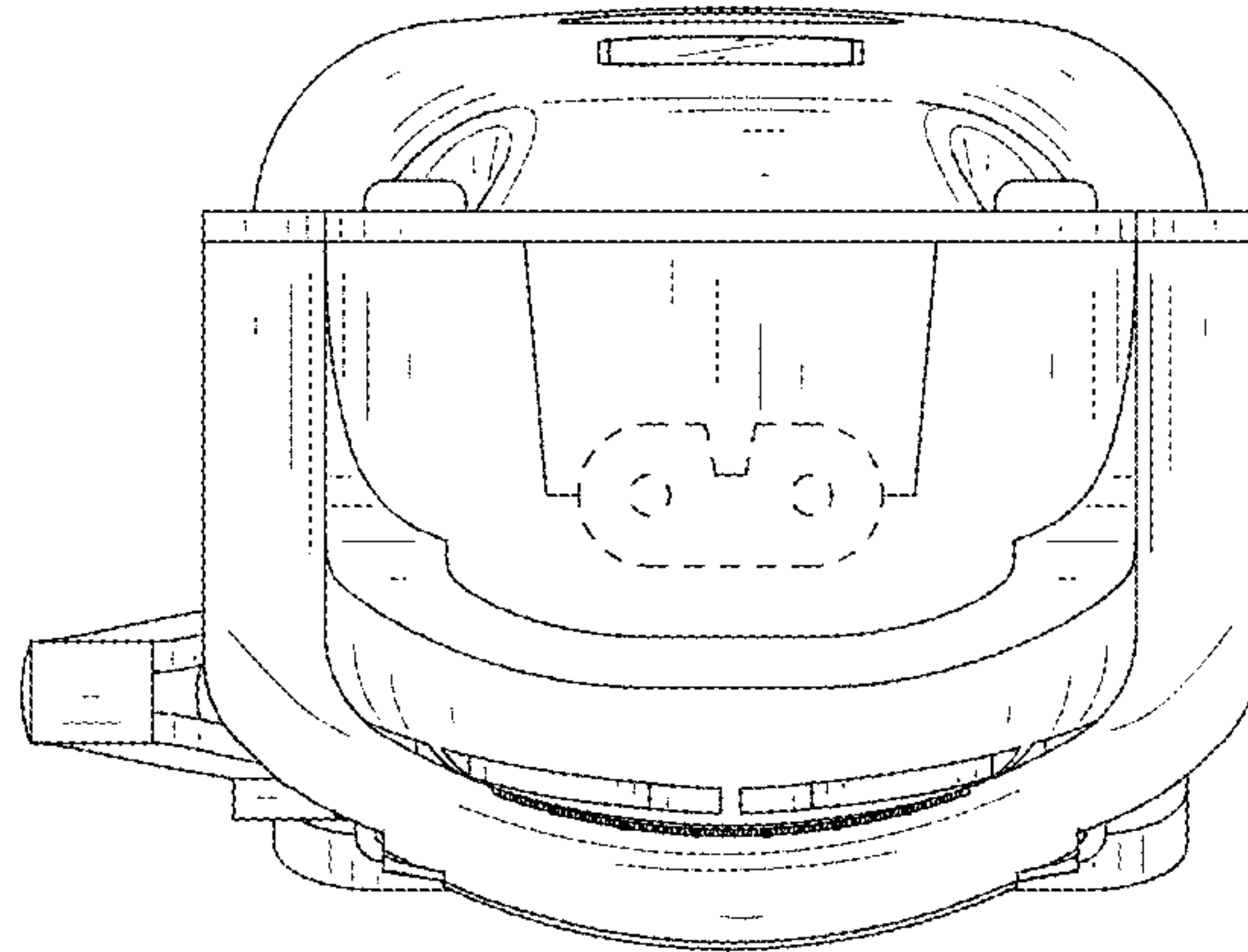


FIG. 8