



US00D979137S

(12) **United States Design Patent**
Zhou

(10) **Patent No.:** **US D979,137 S**

(45) **Date of Patent:** **** Feb. 21, 2023**

(54) **HAIR REMOVAL DEVICE**

(71) Applicant: **DONGGUAN QIAOCHENGLI INDUSTRIAL DEVELOPMENT CO., LTD.**, Dongguan (CN)

(72) Inventor: **Liping Zhou**, Shenzhen (CN)

(73) Assignee: **DONGGUAN QIAOCHENGLI INDUSTRIAL DEVELOPMENT CO., LTD.**, Dongguan (CN)

(**) Term: **15 Years**

(21) Appl. No.: **29/782,794**

(22) Filed: **May 10, 2021**

(51) **LOC (14) Cl.** **D28-03**

(52) **U.S. Cl.**
USPC **D28/44.1; D24/109**

(58) **Field of Classification Search**
USPC D28/9, 10, 44, 44.1; D24/133, 200, 209, D24/214
CPC A45D 26/00; A45D 26/0004; A45D 26/0009; A45D 26/0057; A45D 26/0071; A45D 2200/1054; A61B 2018/0047; A61B 2018/00476

See application file for complete search history.

(56) **References Cited**

U.S. PATENT DOCUMENTS

D860,534 S * 9/2019 Huang D28/44.1
D872,362 S * 1/2020 Long D24/209

D899,688 S * 10/2020 Li D24/209
D905,335 S * 12/2020 Kling D24/209
D945,062 S * 3/2022 Zhou D24/209
D963,939 S * 9/2022 Li D24/209
D965,880 S * 10/2022 Zhou D24/209
D965,881 S * 10/2022 Zhou D24/209
D965,883 S * 10/2022 Wang D24/209
D965,884 S * 10/2022 Zhou D24/209
D967,526 S * 10/2022 Kling D24/209

* cited by examiner

Primary Examiner — Alison M Ofstun

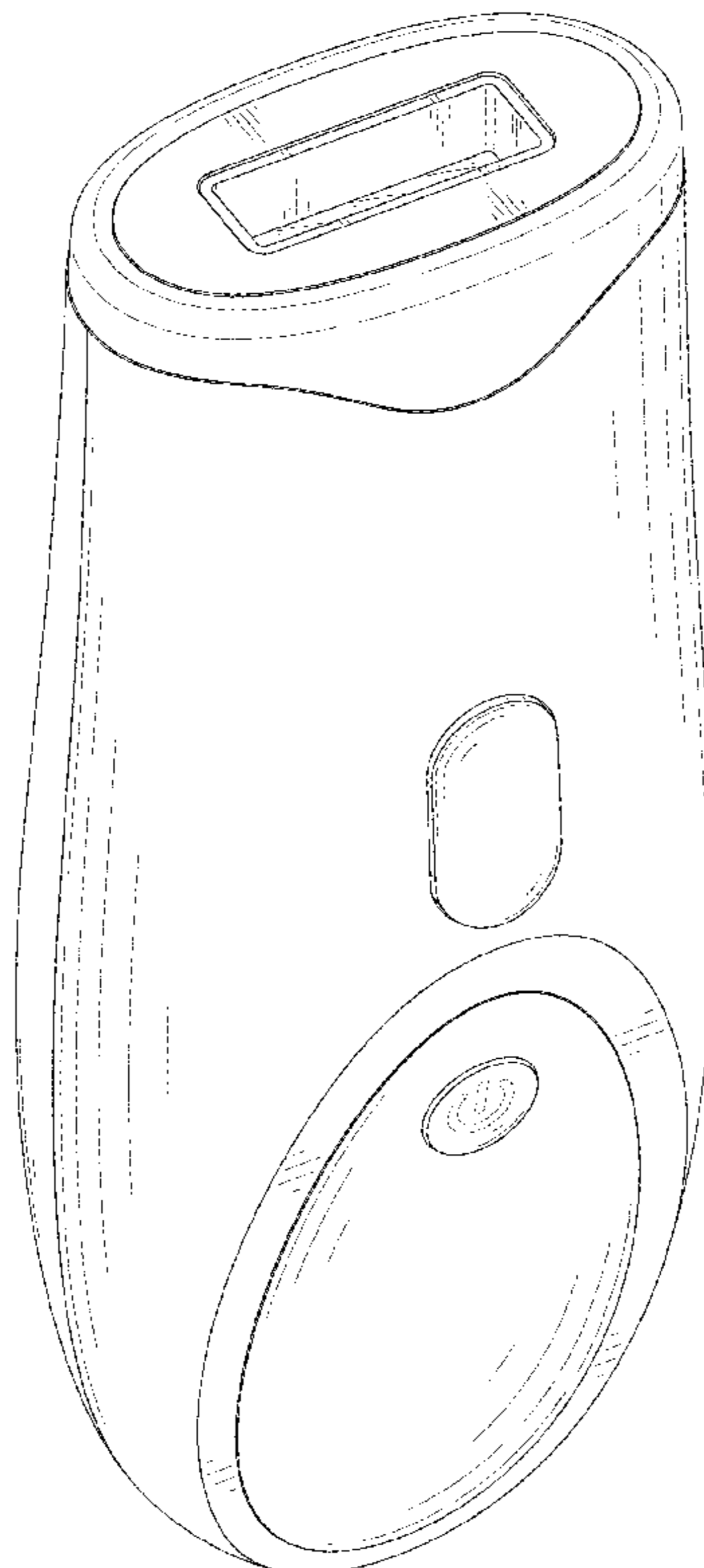
(57) **CLAIM**

The ornamental design for a hair removal device, as shown and described.

DESCRIPTION

FIG. 1 is a perspective view of a hair removal device showing my new design;
FIG. 2 is another perspective view thereof;
FIG. 3 is a front elevational view thereof;
FIG. 4 is a rear elevational view thereof;
FIG. 5 is a left side elevational view thereof;
FIG. 6 is a right side elevational view thereof;
FIG. 7 is a top plan view thereof; and,
FIG. 8 is a bottom plan view thereof.
The broken lines in the drawings depict portions of the hair removal device that form no part of the claimed design.

1 Claim, 8 Drawing Sheets



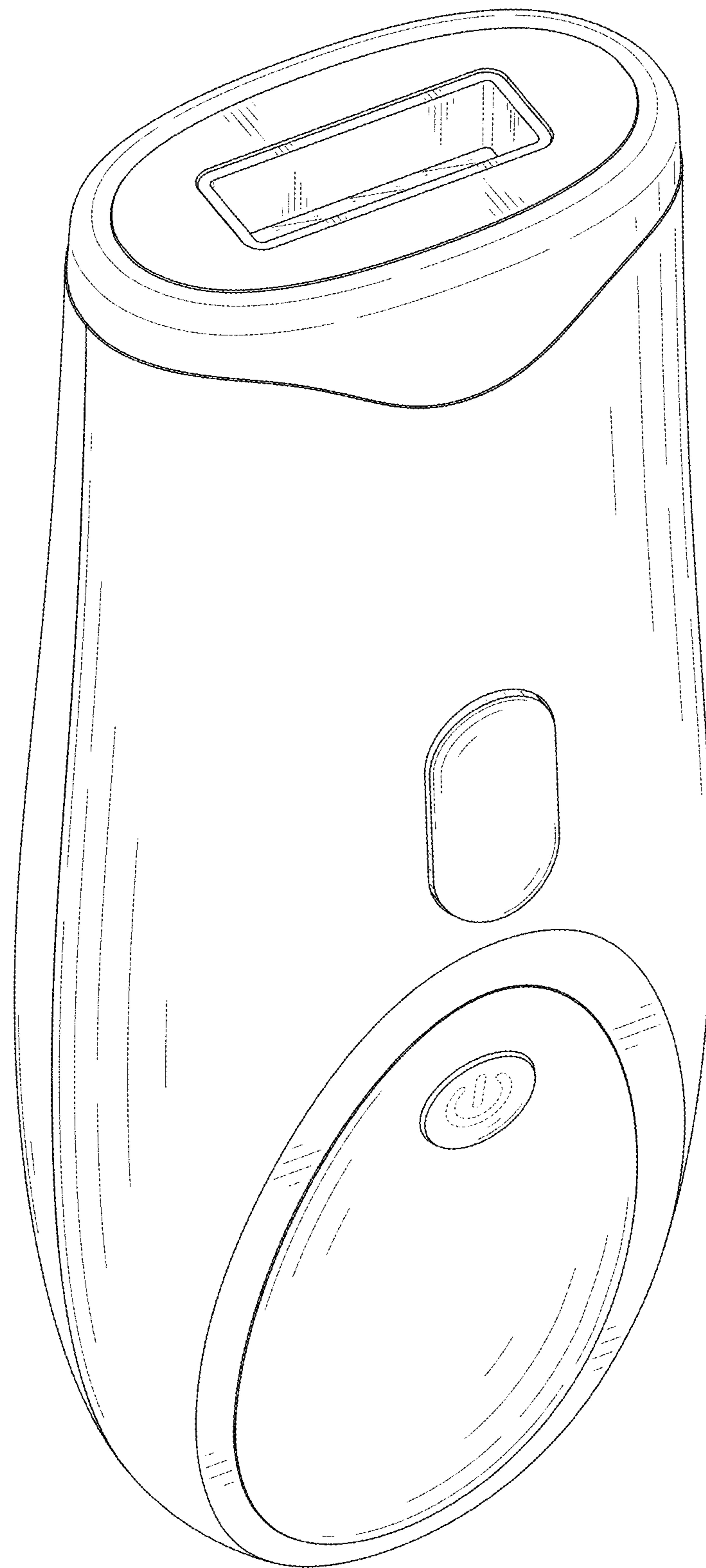


FIG. 1

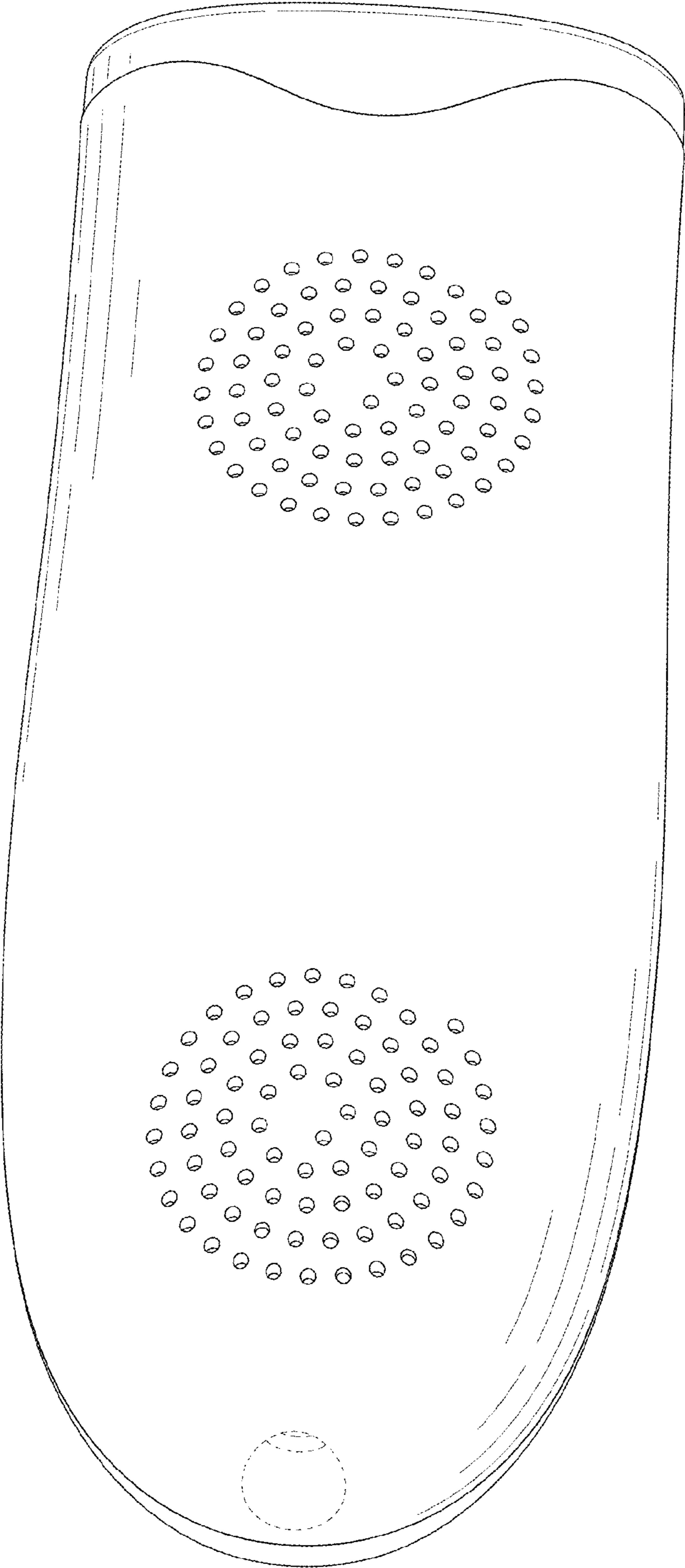


FIG. 2

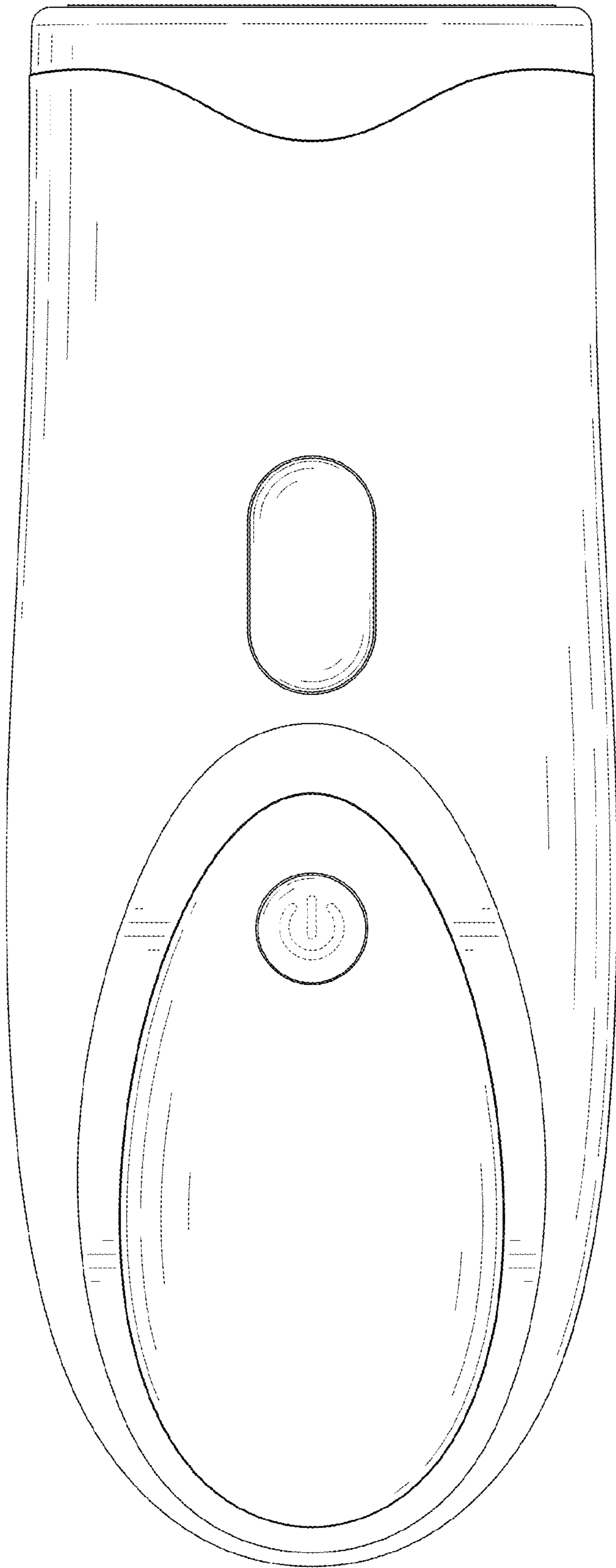


FIG. 3

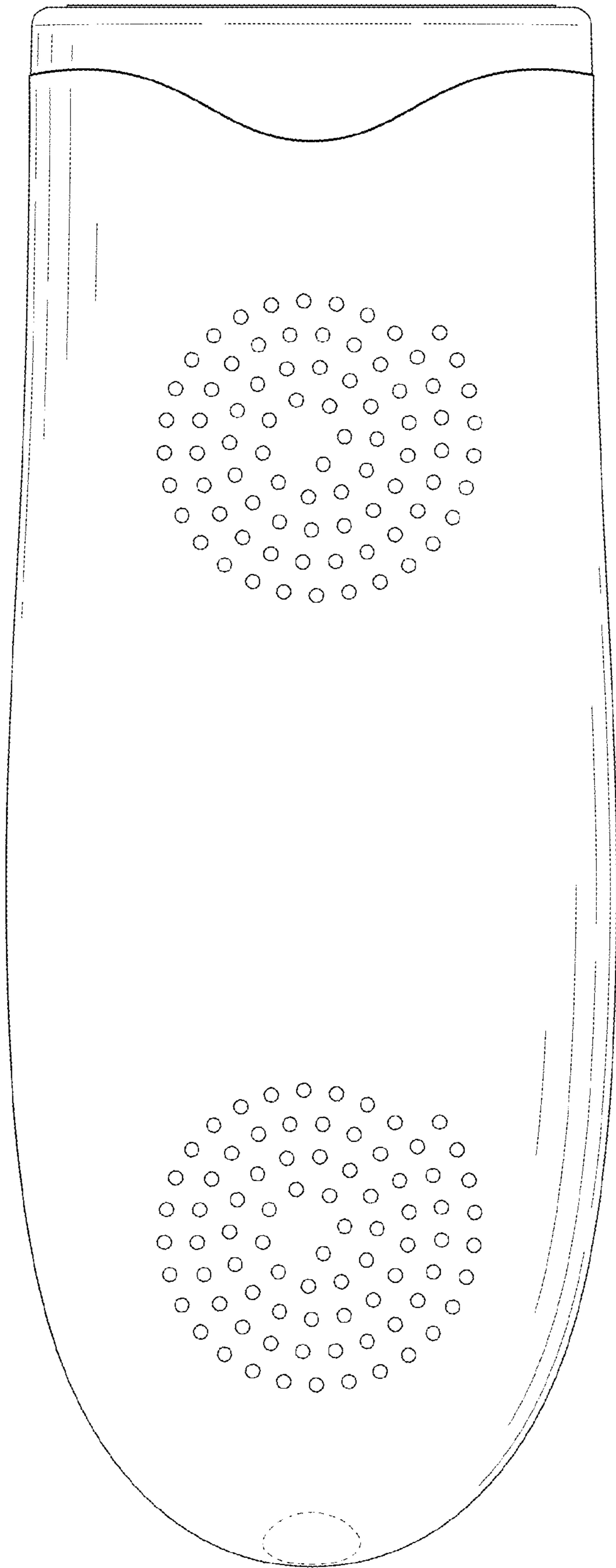


FIG. 4

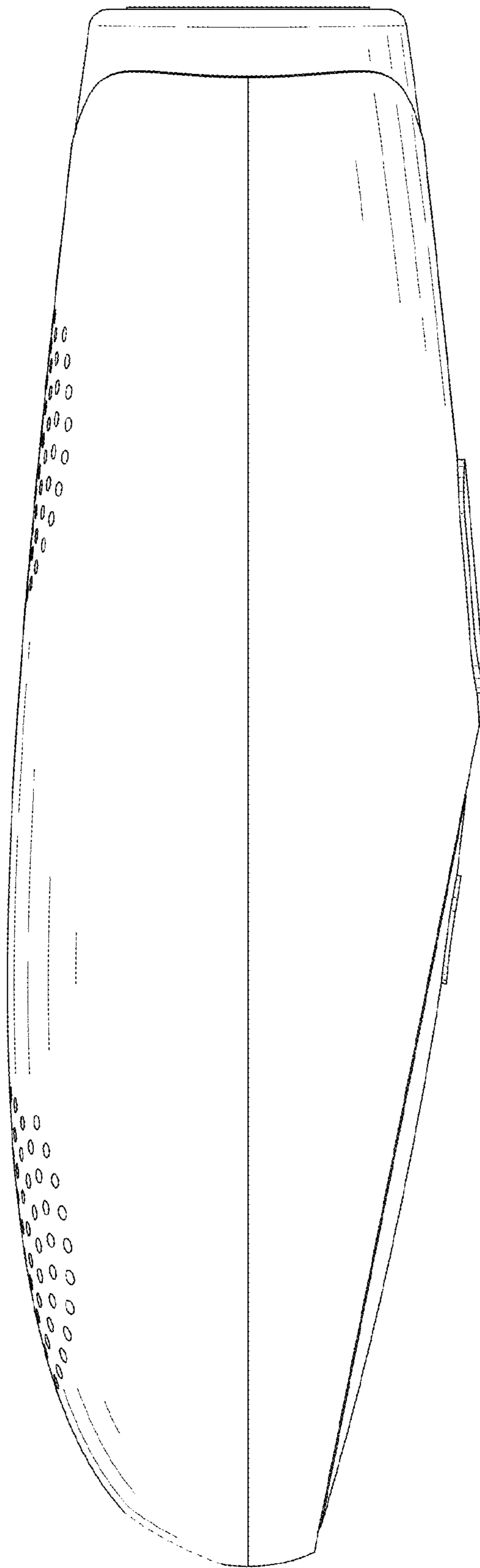


FIG. 5

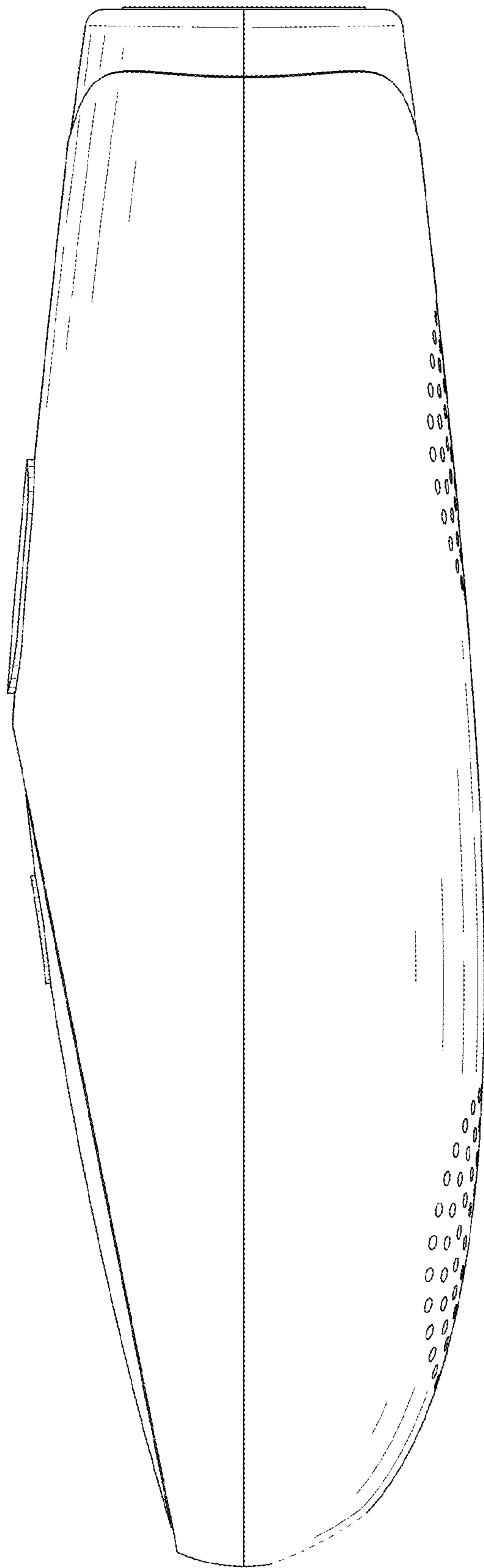


FIG. 6

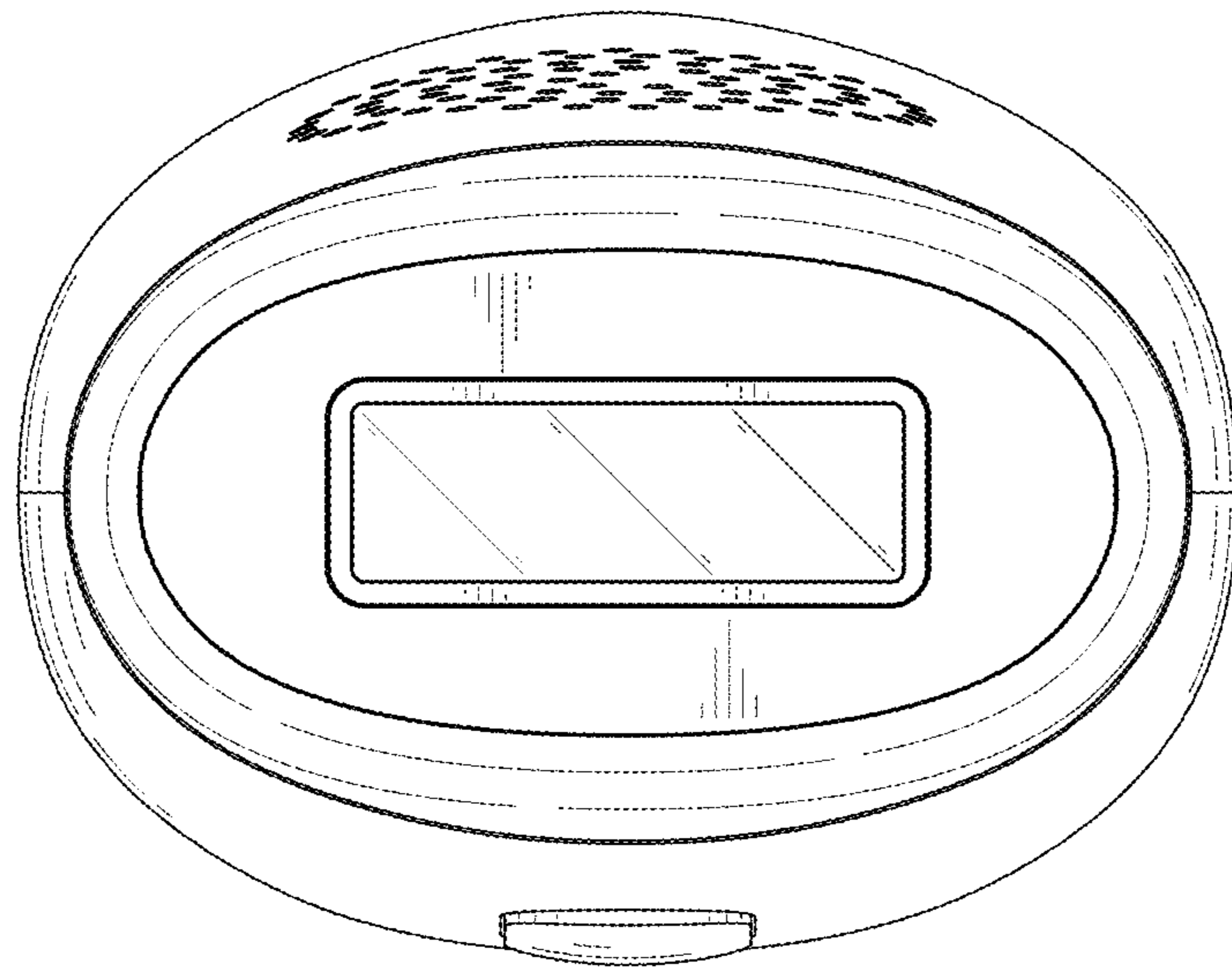


FIG. 7

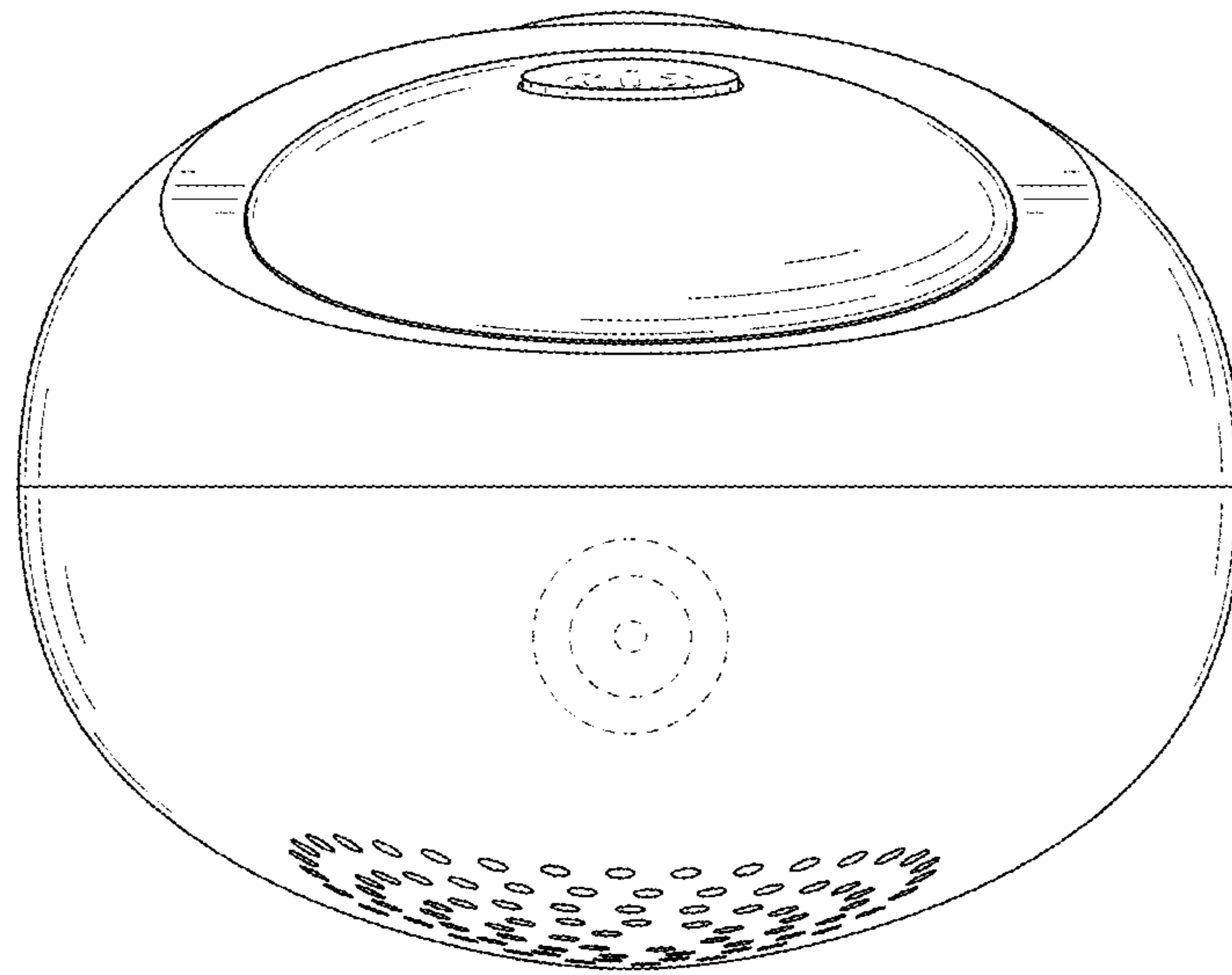


FIG. 8