



US00D979134S

(12) **United States Design Patent** (10) **Patent No.:** **US D979,134 S**  
**Santos** (45) **Date of Patent:** **\*\* Feb. 21, 2023**

- (54) **HAIR STYLING IRON**
- (71) Applicant: **CONAIR CORPORATION**, Stamford, CT (US)
- (72) Inventor: **Mary Khoun Santos**, Stamford, CT (US)
- (73) Assignee: **Conair LLC**, Stamford, CT (US)
- (\*\*) Term: **15 Years**
- (21) Appl. No.: **29/763,292**
- (22) Filed: **Dec. 22, 2020**
- (51) **LOC (14) Cl.** ..... **28-03**
- (52) **U.S. Cl.**  
USPC ..... **D28/35**
- (58) **Field of Classification Search**  
USPC ..... D28/10, 35  
CPC . A45D 2/00; A45D 2/001; A45D 6/00; A45D 7/00; A45D 7/02; A45D 7/04; A45D 7/06; A45D 7/08; A45D 2001/004  
See application file for complete search history.

- 8,776,805 B2 7/2014 deGrood  
D726,964 S 4/2015 Smith et al.  
9,138,038 B2 9/2015 deGrood et al.  
D780,374 S \* 2/2017 Yu ..... D28/35  
9,848,683 B2 12/2017 Sayers et al.  
D816,270 S 4/2018 Yue  
D816,902 S \* 5/2018 Delassus ..... D28/35  
D825,848 S \* 8/2018 Brady ..... D28/35  
10,080,413 B2 9/2018 Everett, Jr. et al.  
D837,448 S \* 1/2019 Maochang ..... D28/35  
10,258,132 B2 4/2019 Leung  
D850,002 S 5/2019 Bates et al.  
D853,643 S 7/2019 Kim  
10,455,916 B2 10/2019 Moore  
D874,311 S 2/2020 Yang  
D877,413 S 3/2020 Lin  
10,638,823 B2 5/2020 Nakasone et al.

(Continued)

*Primary Examiner* — Alison M Ofstun  
(74) *Attorney, Agent, or Firm* — Ruggiero McAllister & McMahon LLC

(57) **CLAIM**

The ornamental design for a hair styling iron, as shown and described.

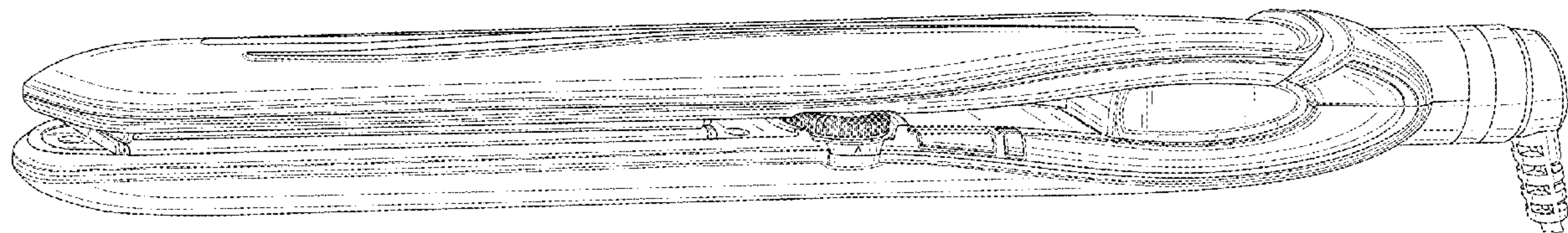
**DESCRIPTION**

FIG. 1 is a front perspective view of a hair styling iron; FIG. 2 is a front elevational view of the hair styling iron of FIG. 1; FIG. 3 is a rear elevational view of the hair styling iron of FIG. 1; FIG. 4 is a left side elevational view of the hair styling iron of FIG. 1; FIG. 5 is a right side elevational view of the hair styling iron of FIG. 1; FIG. 6 is a top plan view of the hair styling iron of FIG. 1; and, FIG. 7 is a bottom plan view of the hair styling iron of FIG. 1.

**1 Claim, 5 Drawing Sheets**

(56) **References Cited**  
U.S. PATENT DOCUMENTS

D570,044 S	5/2008	Leung	
D586,038 S	2/2009	Kim	
D596,791 S *	7/2009	Russo	D28/35
D596,796 S *	7/2009	Keong	D28/35
D609,402 S	2/2010	Cheung	
D610,305 S	2/2010	Lee	
D618,395 S *	6/2010	Mau	D28/35
7,730,895 B2	6/2010	Maddocks et al.	
D632,428 S	2/2011	Kim	
D632,429 S *	2/2011	Kim	D28/35
D651,743 S *	1/2012	Kim	D28/35
D682,468 S *	5/2013	Kim	D28/35
8,455,796 B2	6/2013	Leung	
8,567,415 B2	10/2013	Morgandi et al.	



(56)

**References Cited**

U.S. PATENT DOCUMENTS

D901,076	S	11/2020	Kim	
D904,689	S *	12/2020	Yang	..... D28/35
D907,848	S *	1/2021	Julemont	..... D28/35
D912,896	S *	3/2021	Zhao	..... D28/35
D913,589	S *	3/2021	Thalmann	..... D28/35
2008/0216859	A1	9/2008	Chan	
2011/0247647	A1 *	10/2011	Kim	..... A45D 2/001 132/269
2020/0268120	A1 *	8/2020	Shami	..... A45D 2/001

\* cited by examiner

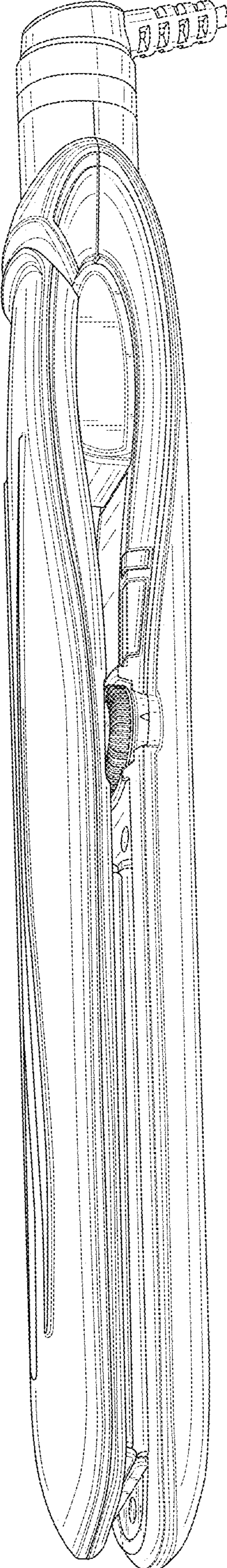


FIG. 1

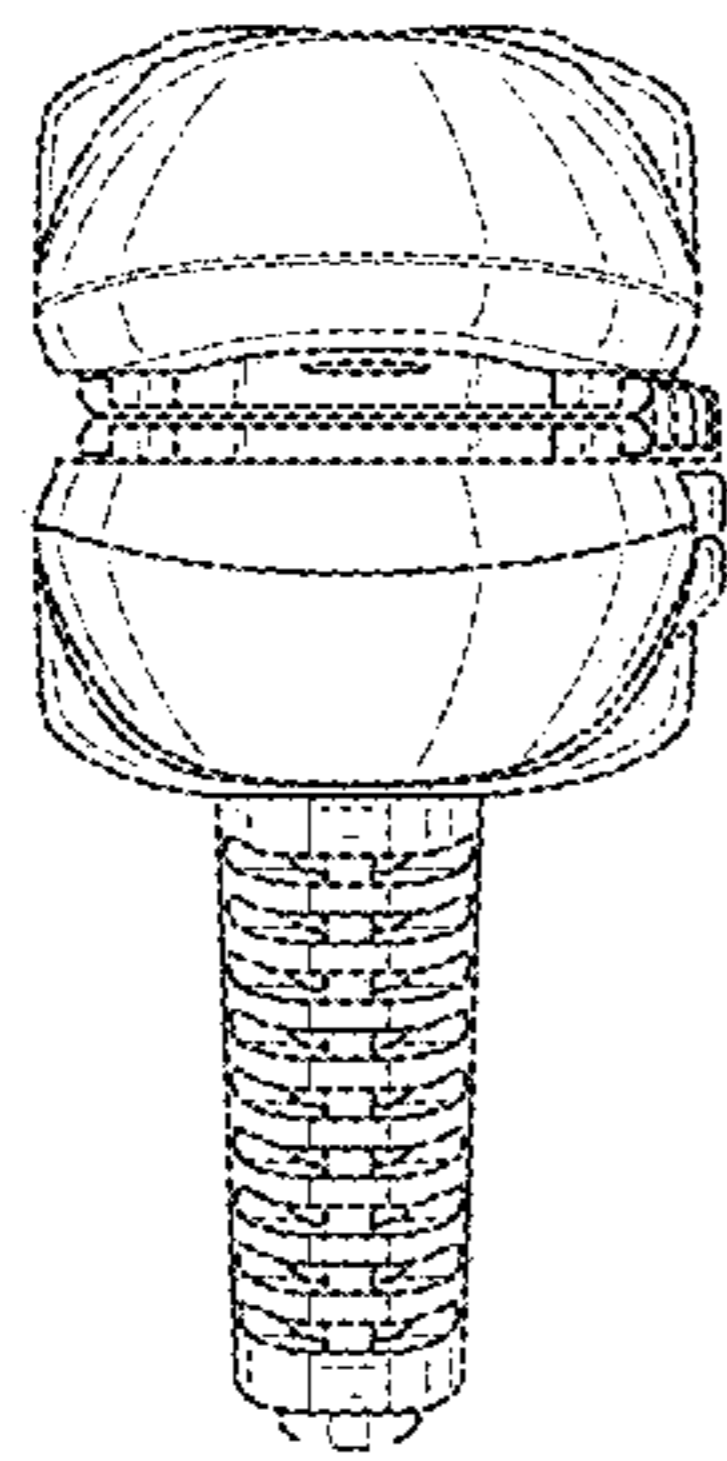


FIG. 2

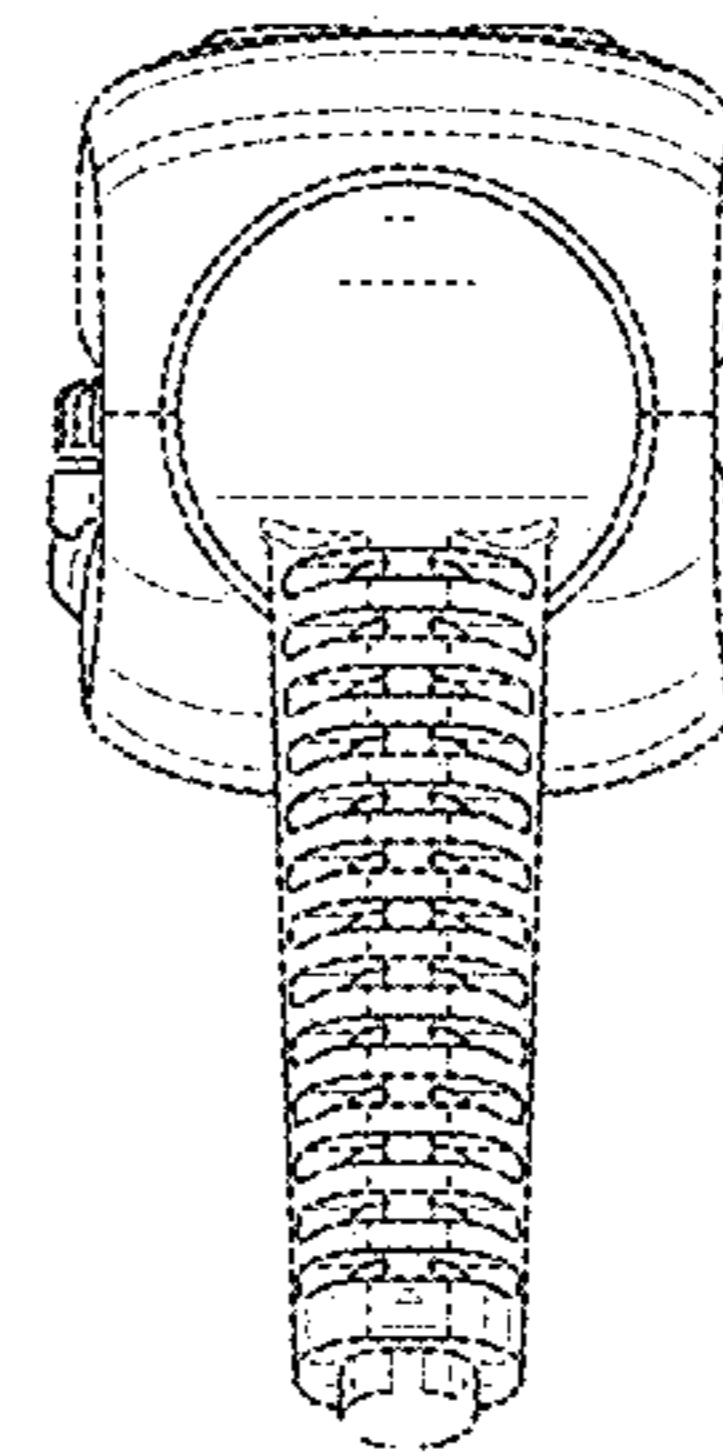


FIG. 3

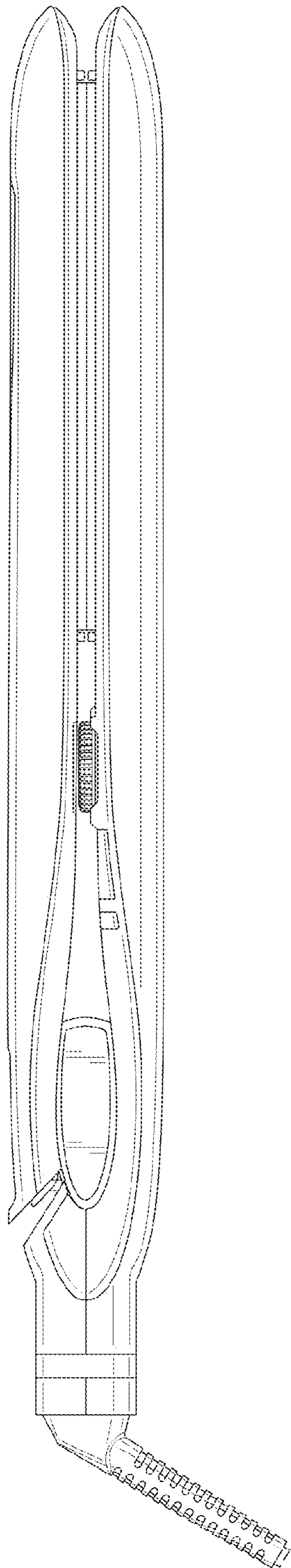


FIG. 4

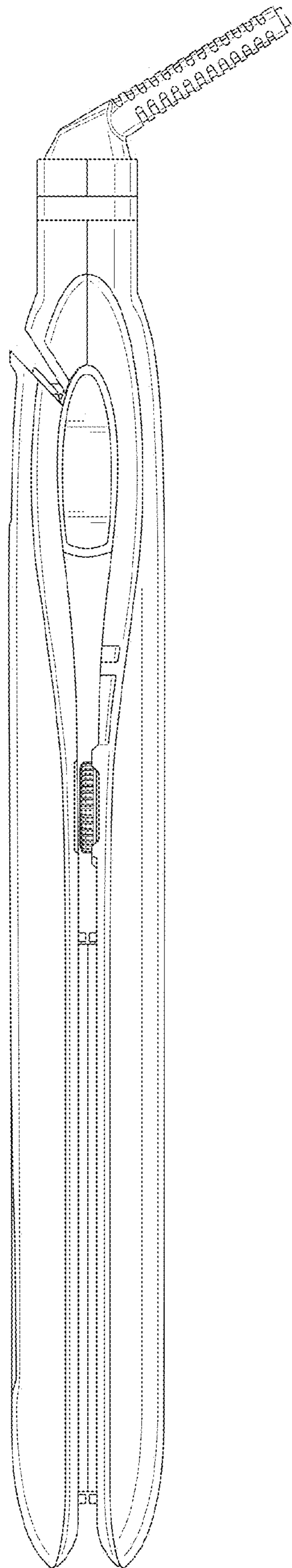


FIG. 5

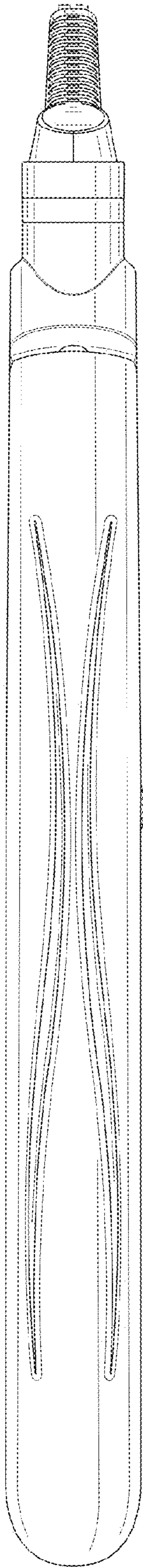


FIG. 6

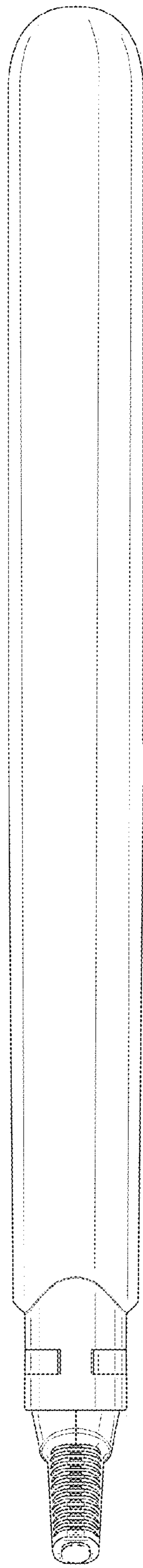


FIG. 7