



US00D979132S

(12) **United States Design Patent** (10) **Patent No.:** **US D979,132 S**
Leon Duque et al. (45) **Date of Patent:** **** Feb. 21, 2023**

(54) **VAPORIZER CARTRIDGE**
(71) Applicant: **PAX Labs, Inc.**, San Francisco, CA (US)
(72) Inventors: **Esteban Leon Duque**, Berkeley, CA (US); **James Monsees**, San Francisco, CA (US); **Brandon Cheung**, San Francisco, CA (US); **Steven Christensen**, Burlingame, CA (US)
(73) Assignee: **Pax Labs, Inc.**, San Francisco, CA (US)
(**) Term: **15 Years**

D844,235 S * 3/2019 Cividi D27/167
D849,996 S * 5/2019 Duque D27/194
D858,868 S * 9/2019 Bowen D27/162
D865,279 S * 10/2019 Pino D27/172
D870,368 S * 12/2019 Leon Duque D27/162
D870,961 S * 12/2019 Levinson D27/162
D887,632 S * 6/2020 Duque D27/167
D893,096 S * 8/2020 Leon Duque D27/194
D902,480 S * 11/2020 Chen D27/194
D912,309 S * 3/2021 Bowen D27/162
D921,284 S * 6/2021 Belisle D27/162
D923,864 S * 6/2021 Carlberg D27/162
D927,052 S * 8/2021 Qiu D27/162
D927,061 S * 8/2021 Leon Duque D27/167
D928,394 S * 8/2021 Jones D27/162
D932,094 S * 9/2021 Laidlaw D27/162

(Continued)

(21) Appl. No.: **29/745,663**
(22) Filed: **Aug. 7, 2020**

Related U.S. Application Data

(63) Continuation of application No. 29/685,675, filed on Mar. 29, 2019, now Pat. No. Des. 893,096, which is a continuation of application No. 29/568,343, filed on Jun. 16, 2016, now Pat. No. Des. 849,996.

(51) **LOC (14) Cl.** **27-99**
(52) **U.S. Cl.**
USPC **D27/194**

(58) **Field of Classification Search**
USPC D27/162, 100, 101, 163-165, 167, 172, D27/174-176, 185-194; D13/103, 107; D23/360, 363, 366; D24/110, 100.5
CPC A24F 47/00; A24F 47/02; A24F 47/04; A24F 47/08; A61M 15/06
See application file for complete search history.

(56) **References Cited**

U.S. PATENT DOCUMENTS

D299,066 S * 12/1988 Newell D24/110
D842,536 S * 3/2019 Bowen D27/167

OTHER PUBLICATIONS

PAX Era Pods By Legion of Bloom found on line (Dec. 12, 2021) <https://www.leafly.com/brands/legion-of-bloom/products/legion-of-bloom-pax-era-pods> found on line (Dec. 18, 2018).*

Primary Examiner — Rebecca Tsehaye

(74) *Attorney, Agent, or Firm* — Mintz, Levin, Cohn, Ferris, Glovsky and Popeo, P.C.

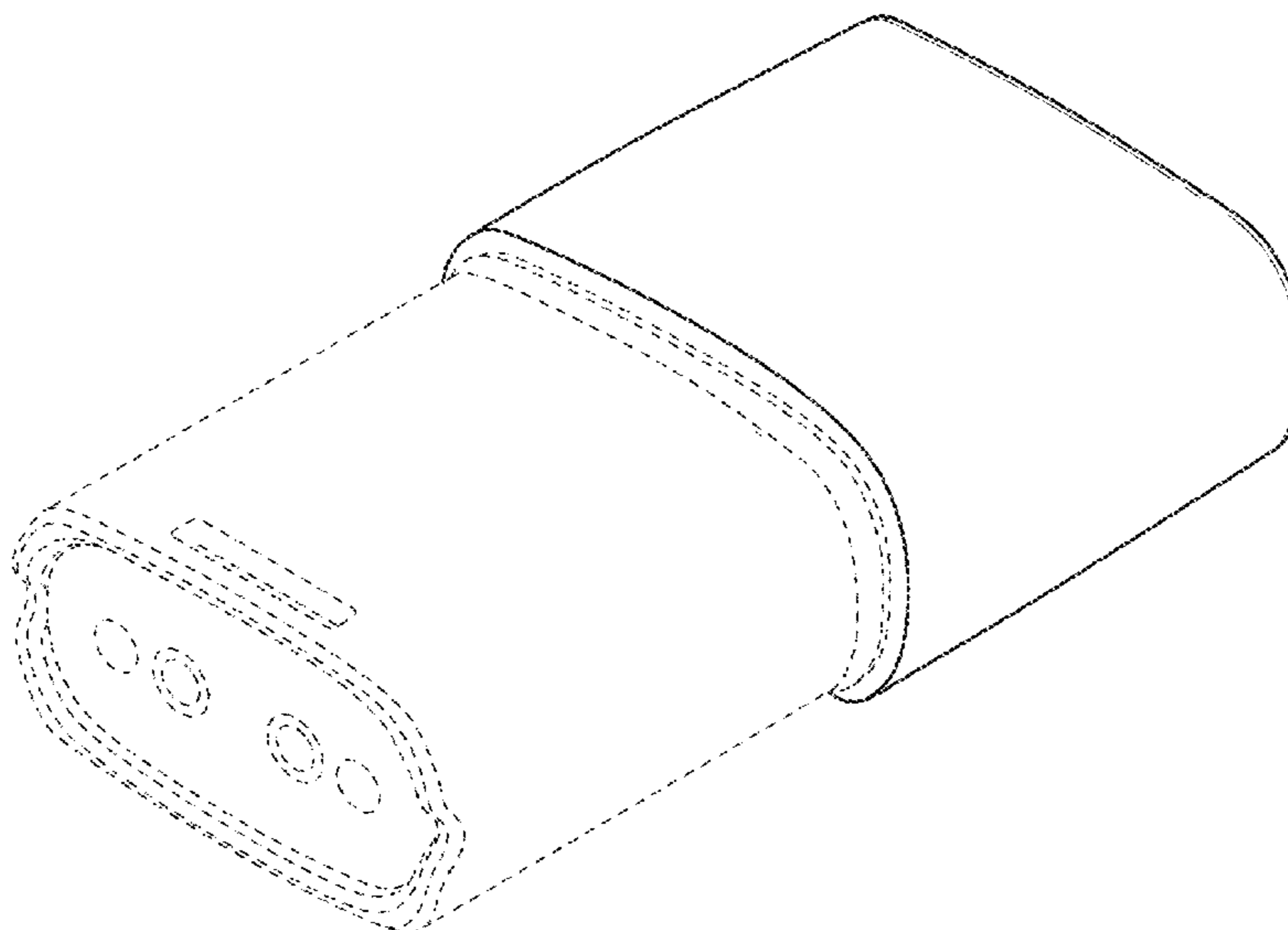
(57) **CLAIM**

The ornamental design for a vaporizer cartridge, as shown and described.

DESCRIPTION

FIG. 1 is a front isometric view of a vaporizer cartridge of our design;
FIG. 2 is a back isometric view thereof;
FIG. 3 is a front view thereof;
FIG. 4 is a right side view thereof;
FIG. 5 is a top view thereof; and,
FIG. 6 is a bottom view thereof.
The broken lines illustrate portions of the vaporizer cartridge that form no part of the claimed design.

1 Claim, 5 Drawing Sheets



(56)

References Cited

U.S. PATENT DOCUMENTS

D933,286 S * 10/2021 Weiss D27/162
2018/0037381 A1 * 2/2018 White B65D 43/0231

* cited by examiner

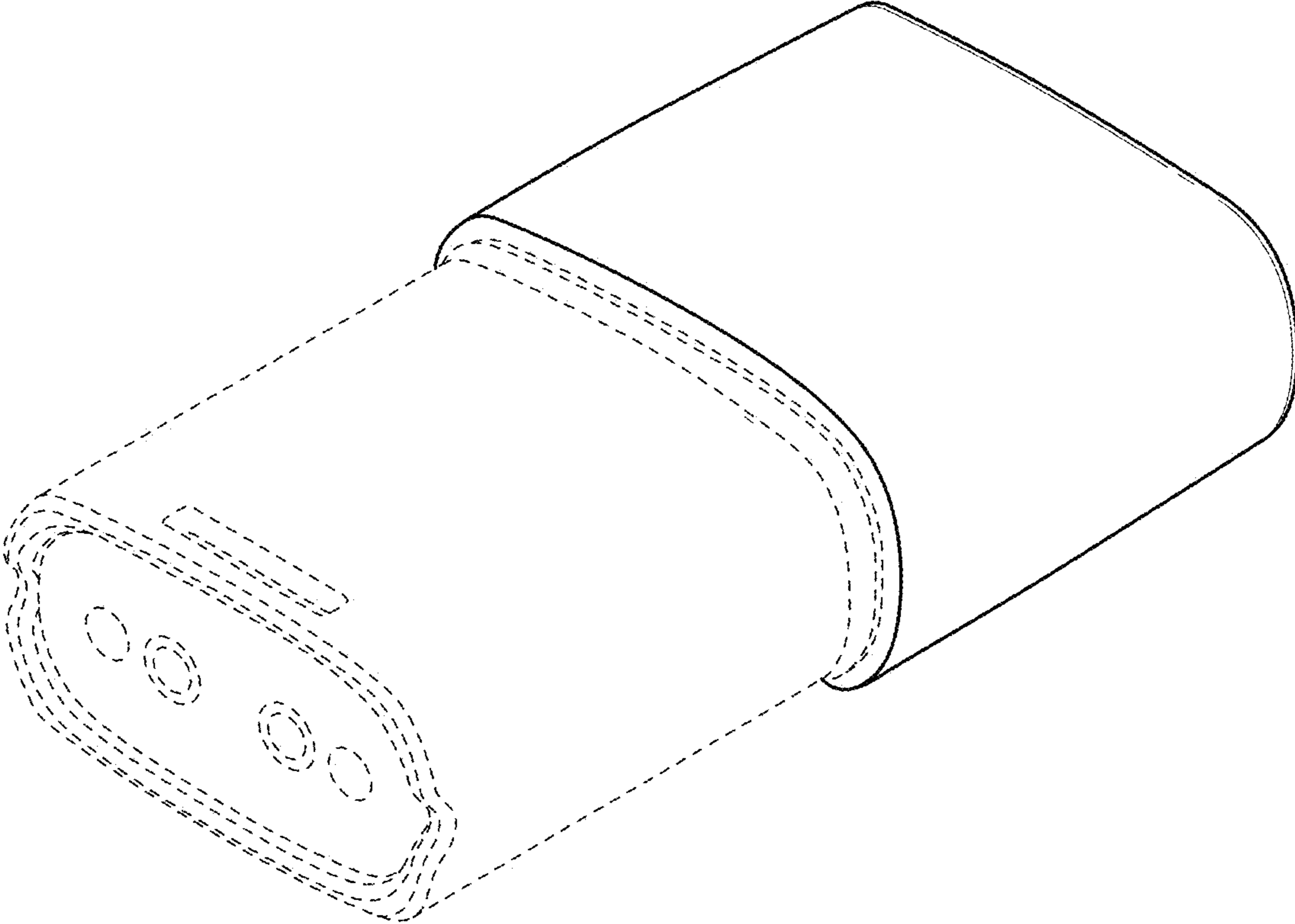


FIG. 1

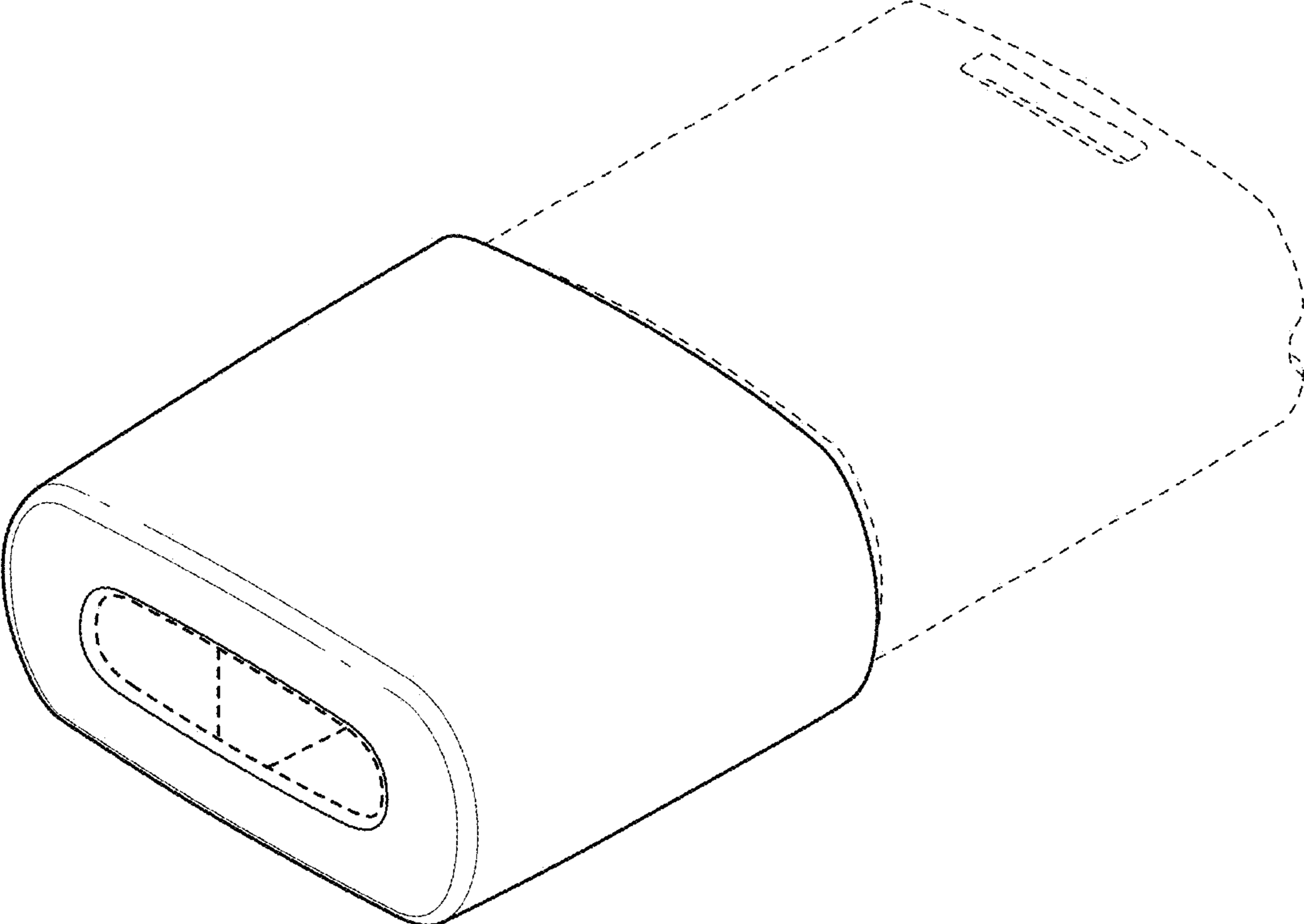


FIG. 2

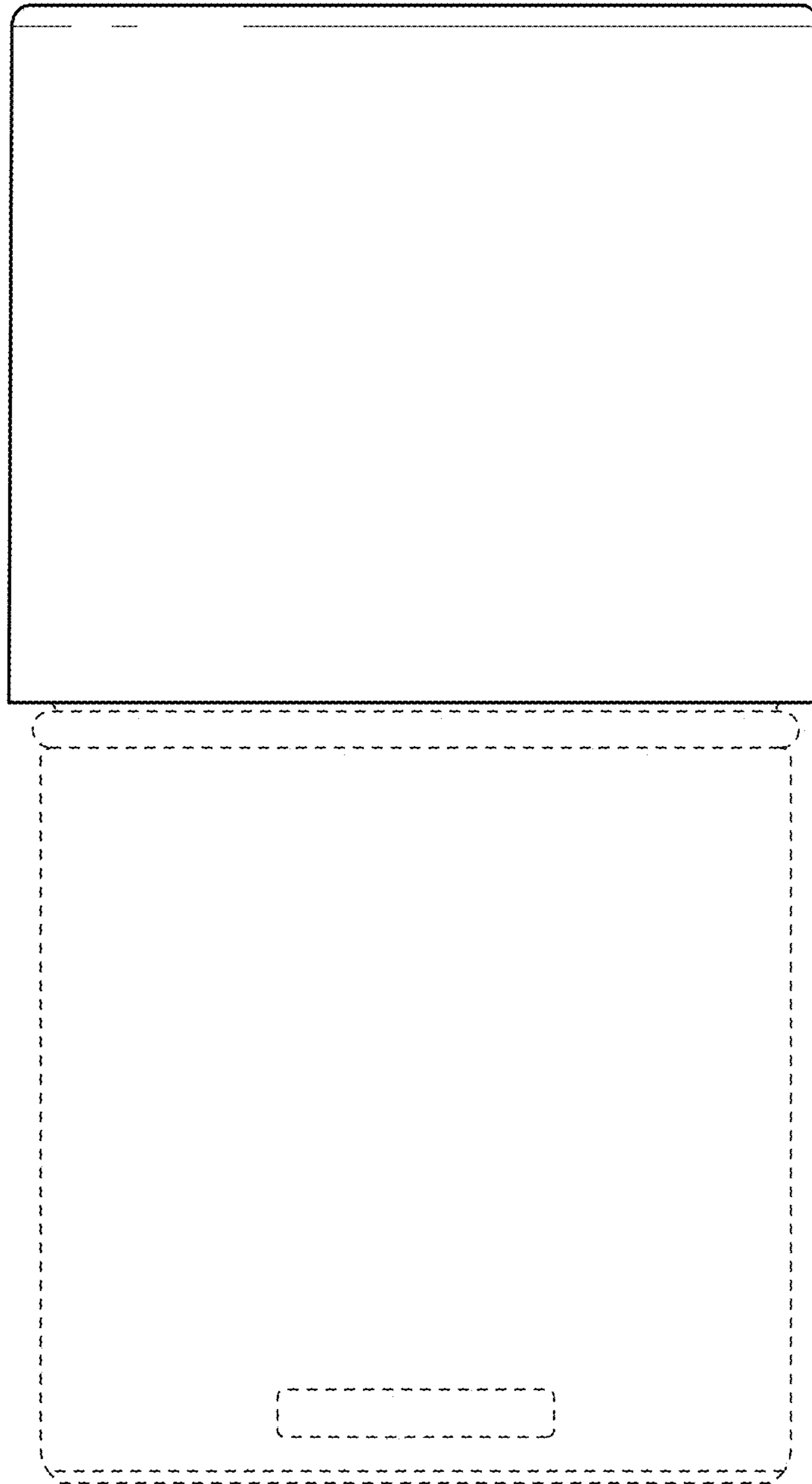


FIG. 3

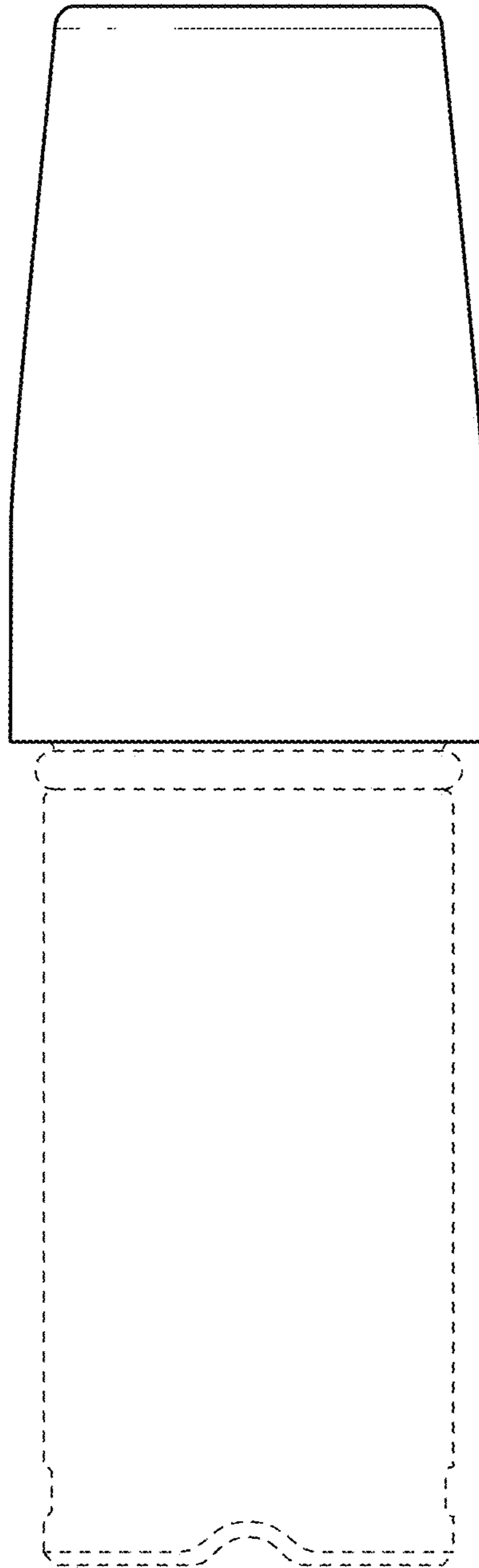


FIG. 4

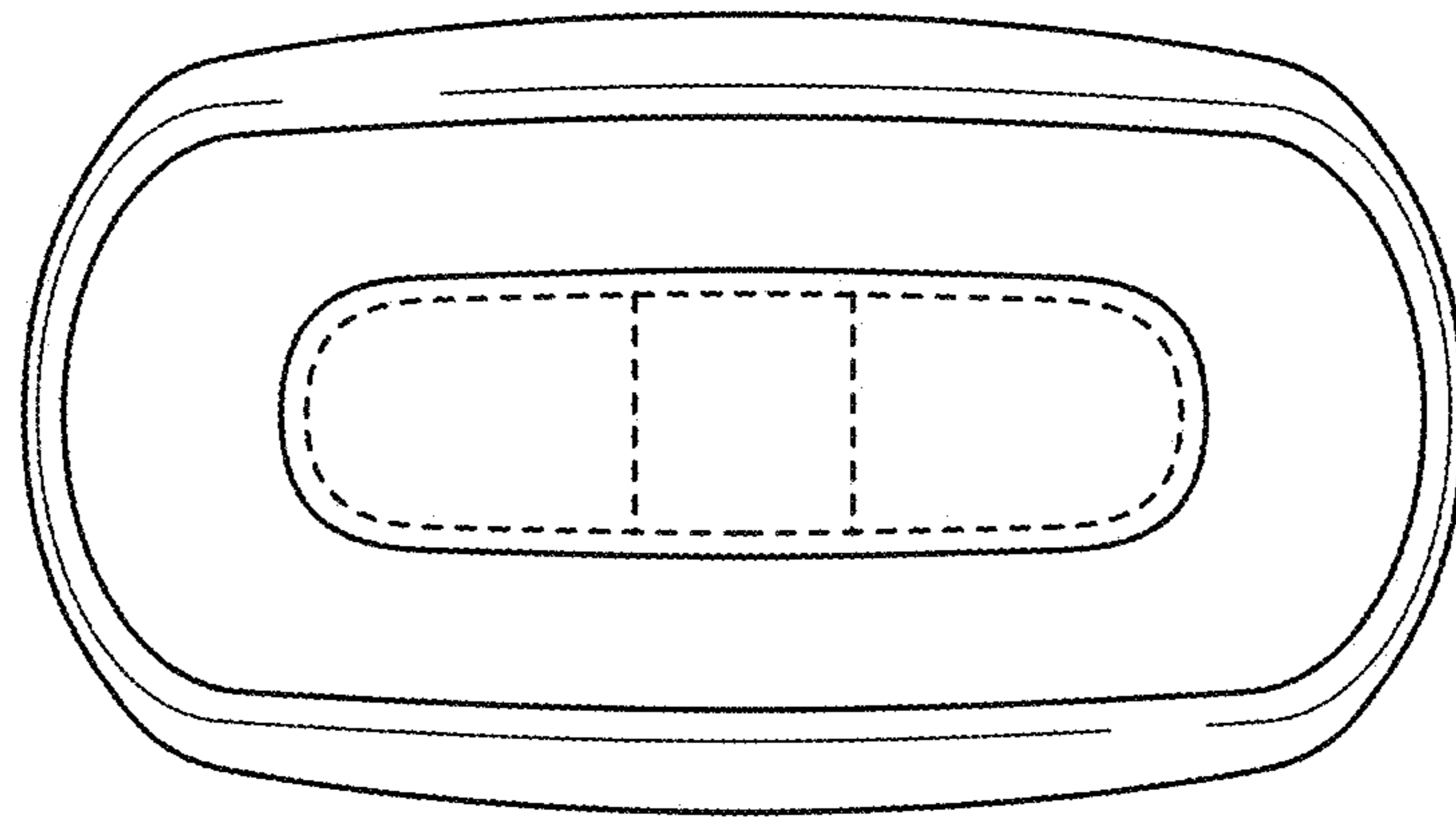


FIG. 5

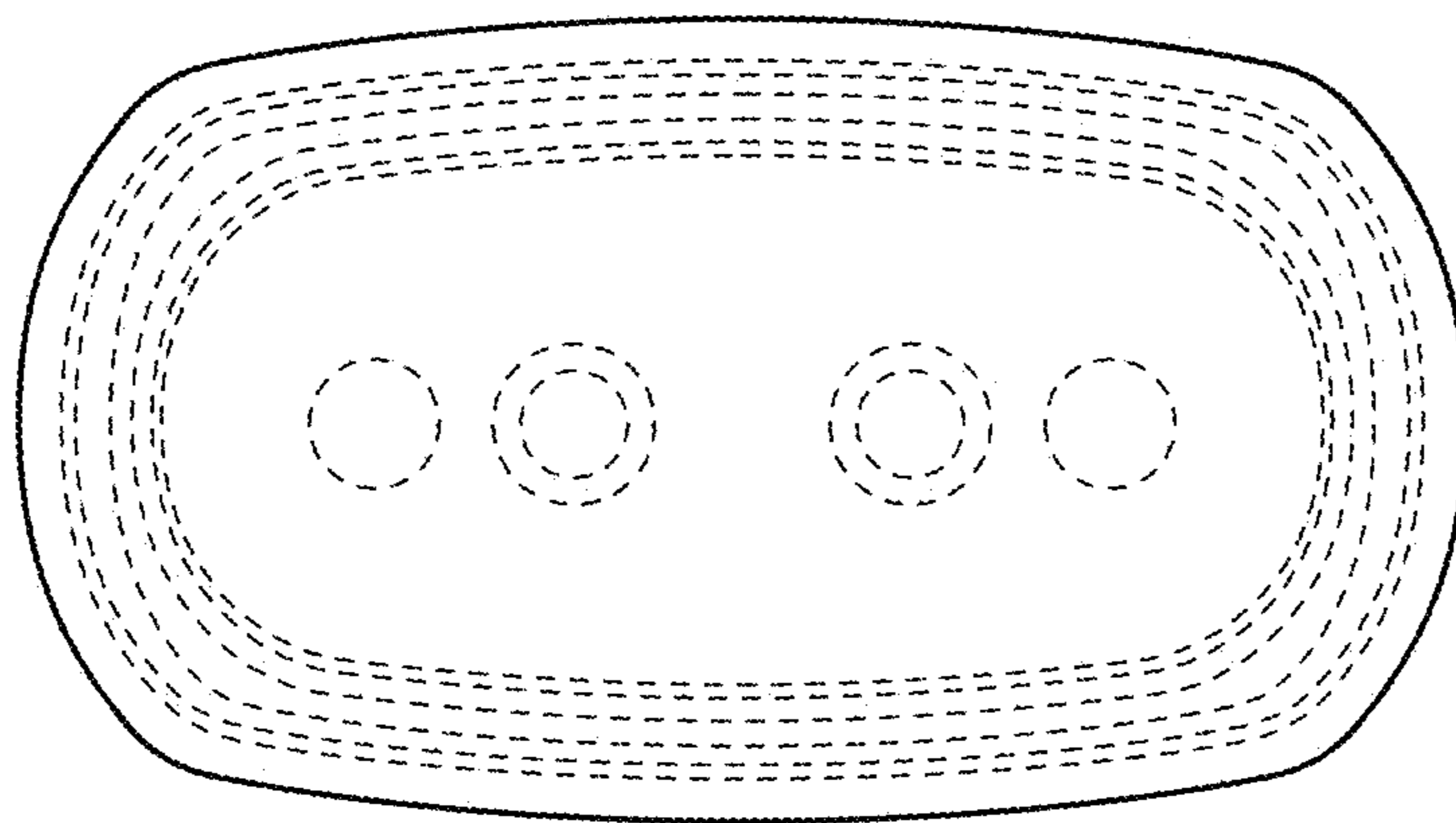


FIG. 6