



US00D979131S

(12) **United States Design Patent** (10) **Patent No.:** **US D979,131 S**
Nista (45) **Date of Patent:** **** Feb. 21, 2023**

(54) **SMOKE FILTER APPARATUS**
(71) Applicant: **Edward T. Nista**, Kingston, WA (US)
(72) Inventor: **Edward T. Nista**, Kingston, WA (US)
(73) Assignee: **Squid Roach, Inc.**, Dover, DE (US)
(**) Term: **15 Years**
(21) Appl. No.: **29/780,164**
(22) Filed: **Apr. 22, 2021**

D912,886 S * 3/2021 Pan D27/141
D914,961 S * 3/2021 Li D27/162
D920,571 S * 5/2021 Jones D27/162
D927,773 S * 8/2021 Jones D27/162
D943,184 S * 2/2022 Jones D27/162
D948,784 S * 4/2022 Liu D27/169
D958,449 S * 7/2022 Yuan D27/162
2011/0014340 A1 1/2011 Spitzley et al.
2017/0055579 A1* 3/2017 Kuna A24F 1/00
2017/0280925 A1 10/2017 Southern
2018/0153330 A1 6/2018 Abbiati
2018/0161823 A1 6/2018 Patton et al.

Related U.S. Application Data

(63) Continuation of application No. 17/237,912, filed on Apr. 22, 2021.
(51) **LOC (14) Cl.** **27-02**
(52) **U.S. Cl.**
USPC **D27/167**
(58) **Field of Classification Search**
USPC D27/167, 162, 164, 165, 169, 170, 171, D27/181, 193, 194
CPC A24F 1/30; A24F 13/06; A24F 7/04; A24F 7/02; A24F 7/00; A24D 3/17; A24D 3/04; A24D 3/00; A24D 1/045; A24D 1/04; A24D 1/047
See application file for complete search history.

References Cited

U.S. PATENT DOCUMENTS

5,842,526 A * 12/1998 Archer A62C 3/04 285/410
D658,807 S * 5/2012 Aboushi D27/169
D695,450 S * 12/2013 Benassayag D27/101
D776,868 S * 1/2017 Rado D27/162
D787,114 S * 5/2017 Scott D27/194
D815,349 S * 4/2018 Watson D27/194
D831,272 S * 10/2018 Qiu D27/162
D867,657 S * 11/2019 Fornarelli D27/194
D874,717 S * 2/2020 Nhep D27/162

OTHER PUBLICATIONS

International Search Report dated Sep. 2, 2022, for PCT/US22/31636, filed May 31, 2022.
Written Opinion dated Sep. 2, 2022, for PCT/US22/31636, filed May 31, 2022.

* cited by examiner

Primary Examiner — Rebecca Tsehaye
(74) *Attorney, Agent, or Firm* — AEON Law, PLLC; Adam L. K. Philipp; James Namiki

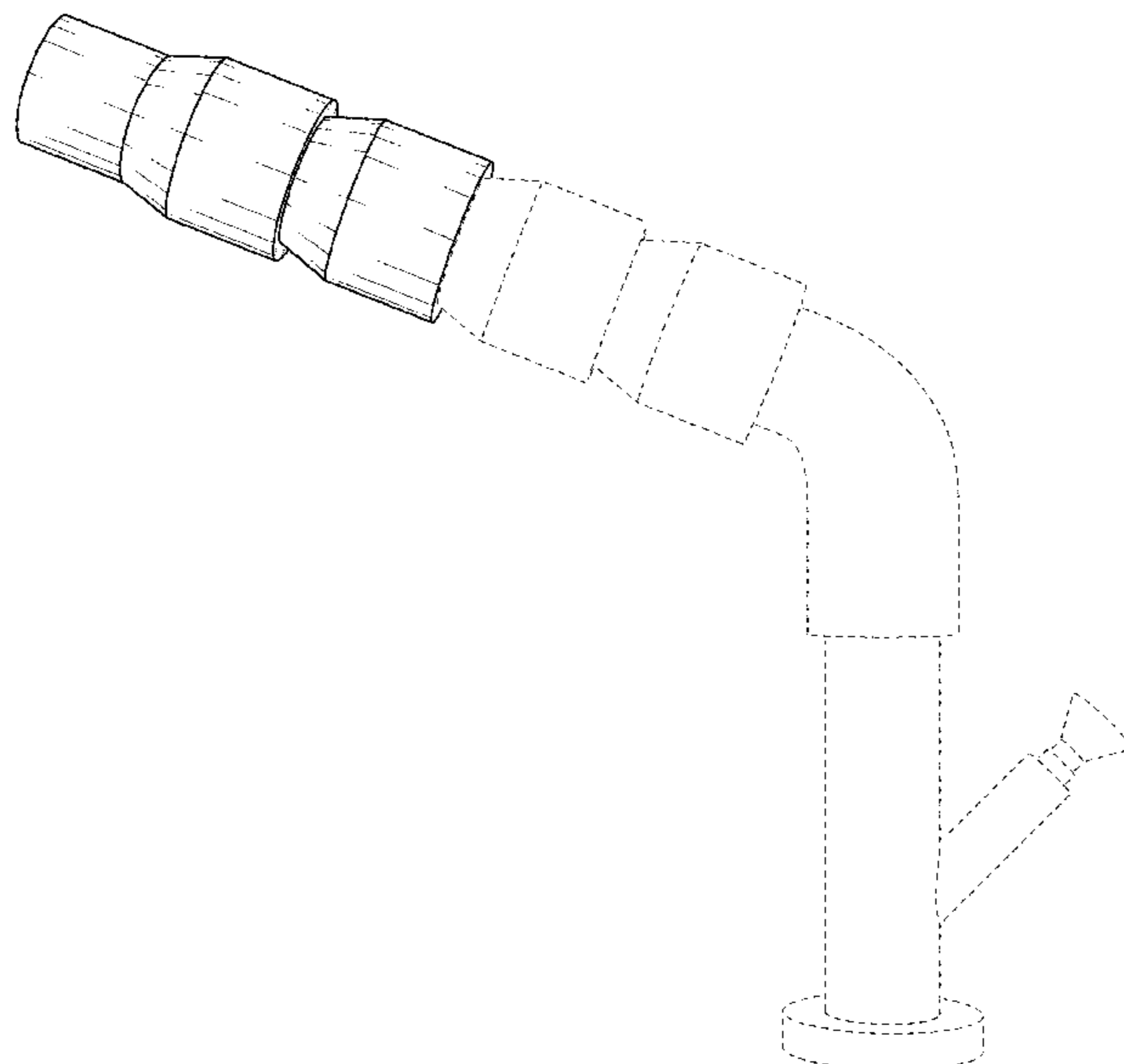
(57) **CLAIM**

An ornamental design for a smoke filter apparatus, as shown and described.

DESCRIPTION

FIG. 1 is a right side elevation view of a smoke filter apparatus;
FIG. 2 is a back side elevation view thereof;
FIG. 3 is a front side elevation view thereof;
FIG. 4 is a left side elevation view thereof;
FIG. 5 is a perspective view thereof; and,
FIG. 6 is a bottom plan view thereof.
The dash-dash broken lines illustrate portions of the smoke filter apparatus that form no part of the claimed design.

1 Claim, 6 Drawing Sheets



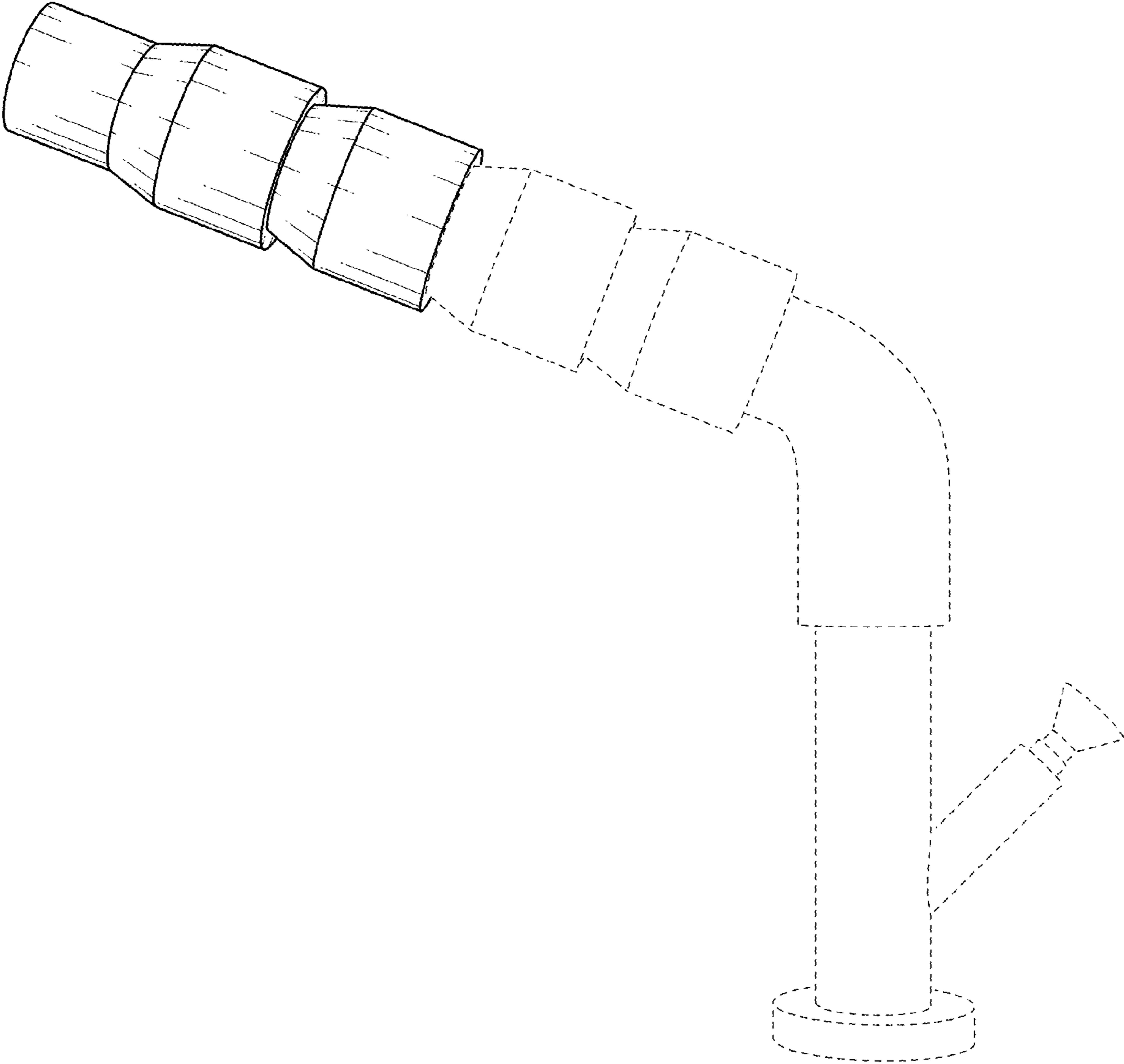


FIG. 1

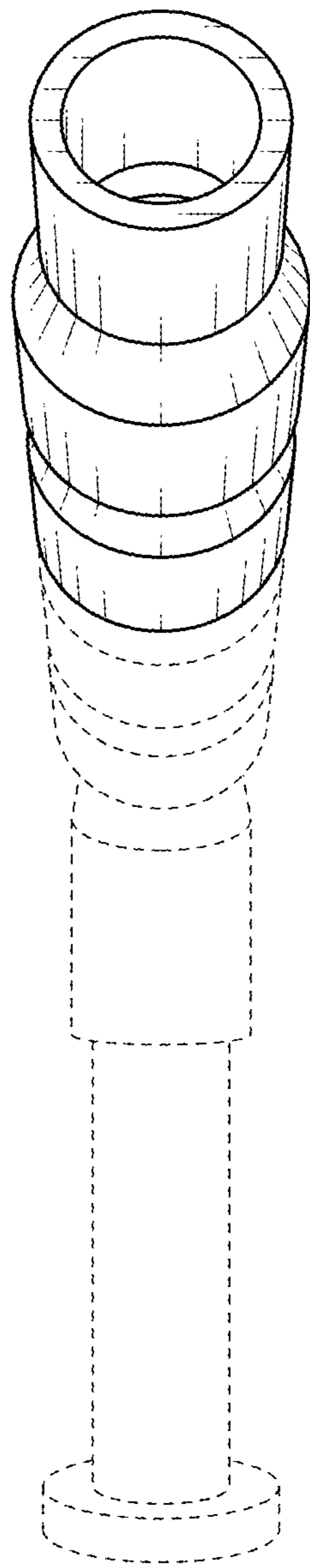


FIG. 2

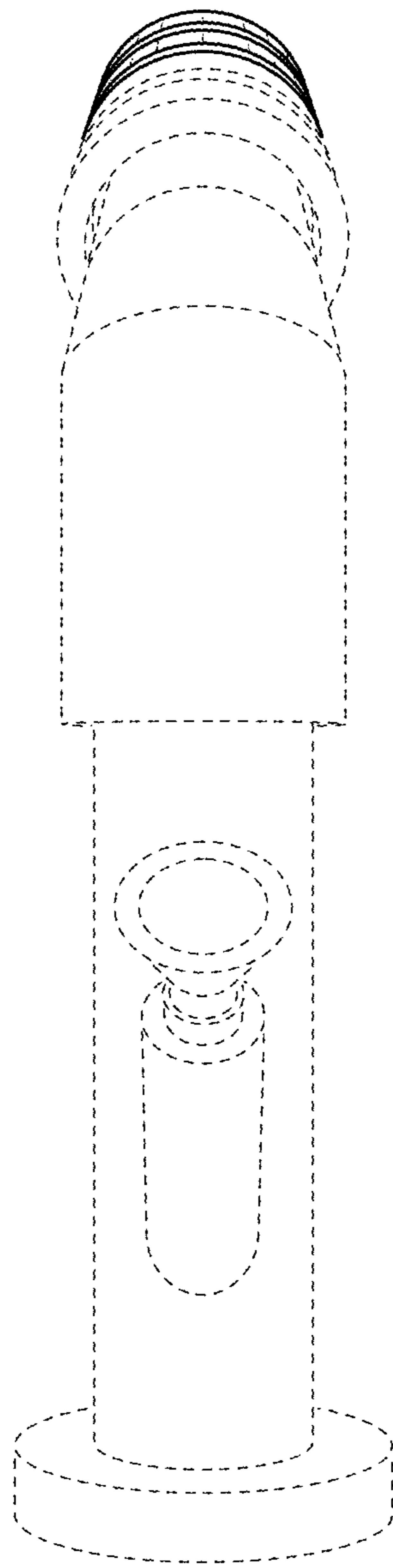


FIG. 3

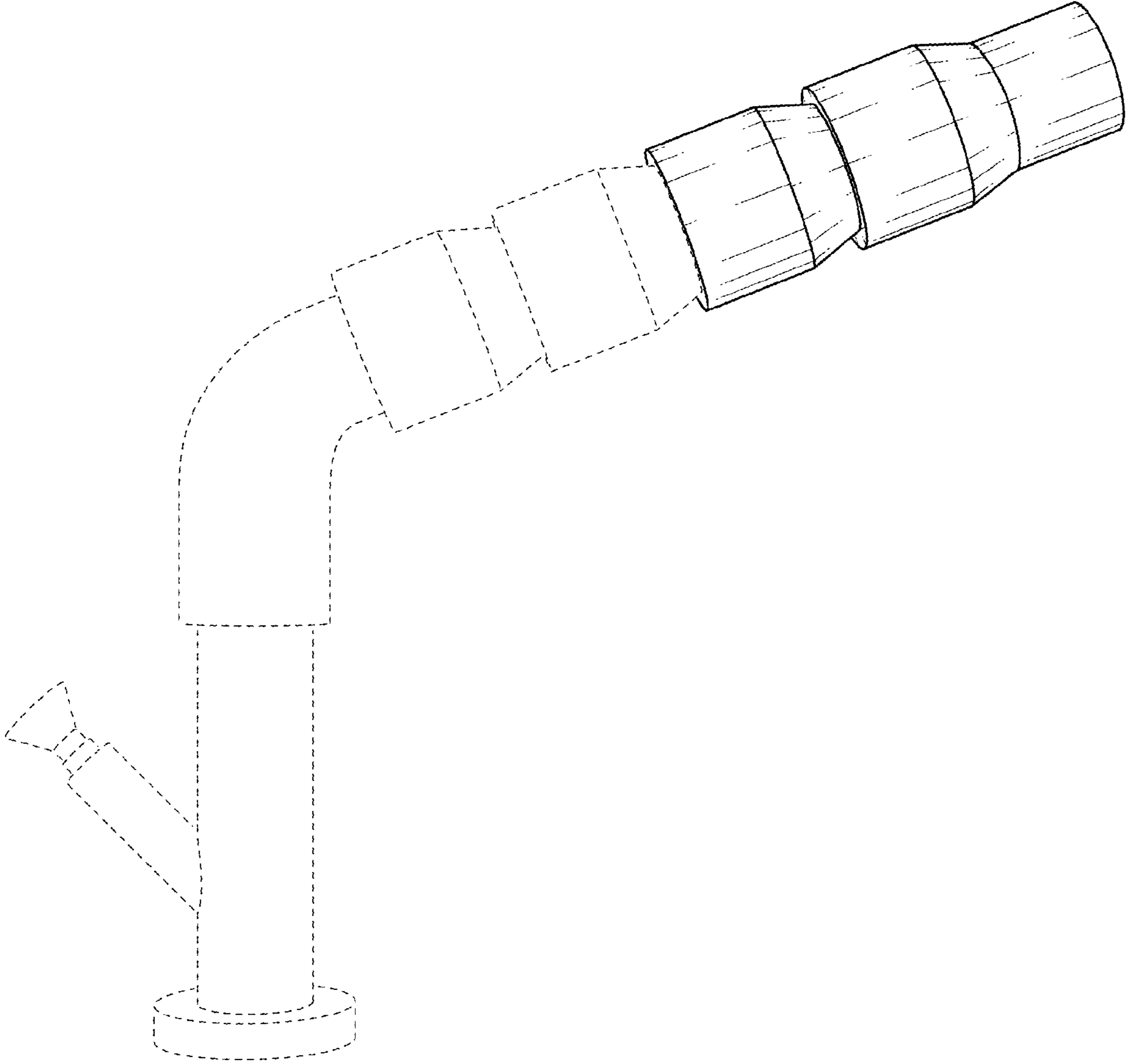


FIG. 4

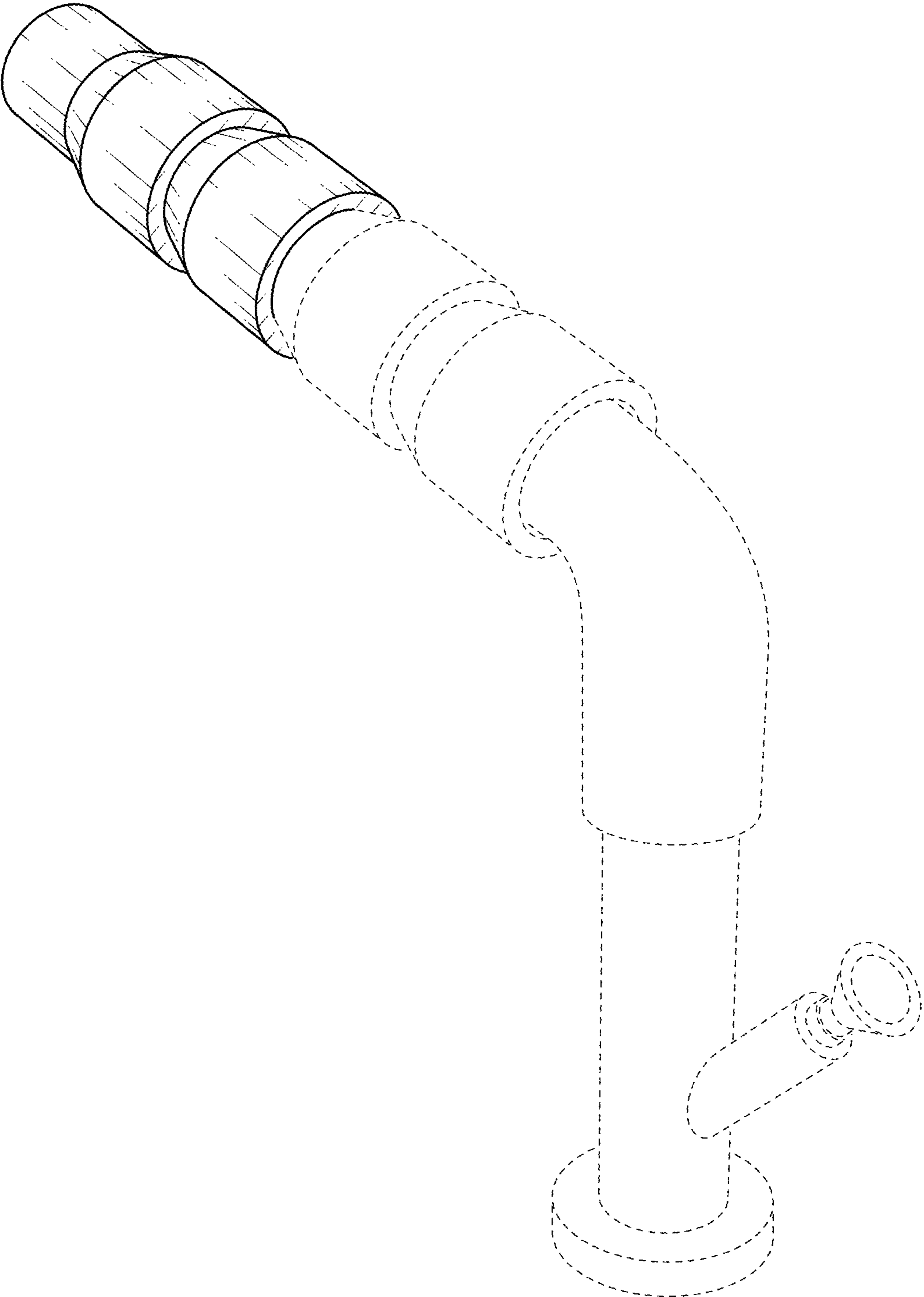


FIG. 5

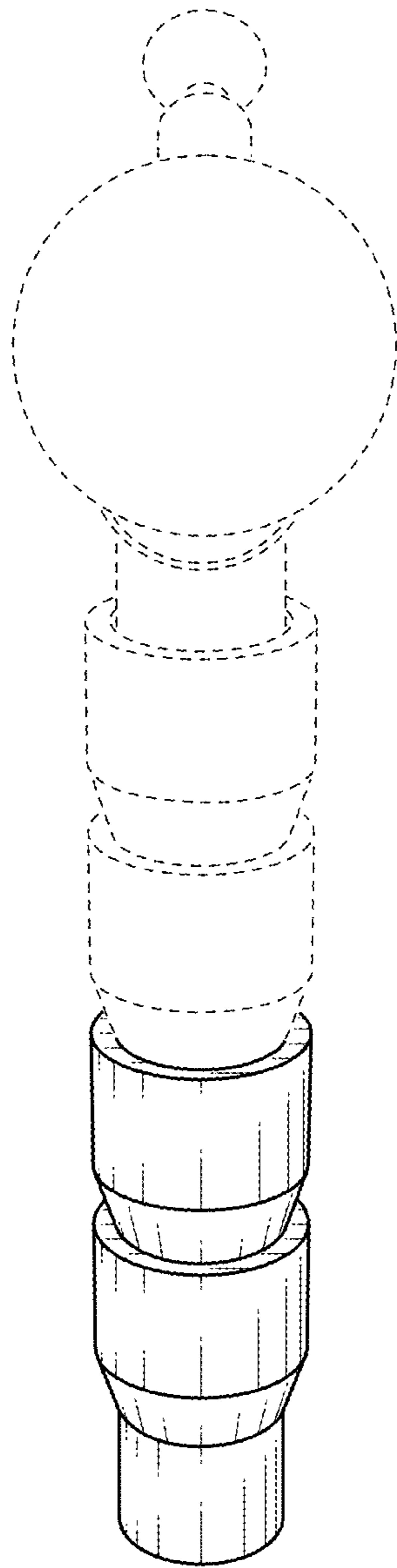


FIG. 6