



US00D979125S

(12) **United States Design Patent** (10) **Patent No.:** **US D979,125 S**  
**Yu** (45) **Date of Patent:** **\*\* Feb. 21, 2023**

(54) **LAMPSHADE**  
(71) Applicant: **Hanjun Yu**, Hainan (CN)  
(72) Inventor: **Hanjun Yu**, Hainan (CN)  
(\*\*) Term: **15 Years**  
(21) Appl. No.: **29/845,866**  
(22) Filed: **Jul. 11, 2022**  
(51) **LOC (14) Cl.** ..... **26-05**  
(52) **U.S. Cl.**  
USPC ..... **D26/124**  
(58) **Field of Classification Search**  
USPC ..... D16/101, 134, 137, 305, 317; D26/24,  
D26/72, 73, 81–85, 93, 104–108,  
D26/110–120, 122, 124, 128–130, 138,  
D26/142–144, 149–151, 155  
CPC .... F21S 10/02; F21S 10/06; F21S 8/00; F21S  
8/024; F21S 8/026; F21S 8/04; F21V  
1/00; F21V 1/06; F21V 1/08; F21V 1/20;  
F21V 1/24; F21V 7/045  
See application file for complete search history.

(56) **References Cited**  
U.S. PATENT DOCUMENTS  
D376,028 S 11/1996 McDowell  
D396,316 S \* 7/1998 Wang ..... D26/107  
D406,917 S 3/1999 Chen  
D494,705 S \* 8/2004 Tai ..... D26/128  
D541,975 S \* 5/2007 Isaacson ..... D26/128

D571,034 S \* 6/2008 Goetz-Schaefer ..... D26/85  
D607,144 S 12/2009 Chen  
D611,649 S 3/2010 Chen  
D684,304 S \* 6/2013 Lin ..... D26/118  
D686,362 S \* 7/2013 Melrose ..... D26/118  
D701,637 S \* 3/2014 Xue ..... D26/118  
D701,638 S \* 3/2014 Inaba ..... D26/124  
D787,110 S 5/2017 Hood et al.  
D792,016 S \* 7/2017 de Bevilacqua ..... D26/88  
D865,038 S \* 10/2019 Sandvik ..... D16/237  
D880,015 S \* 3/2020 Zulauf ..... D26/2  
D922,668 S 6/2021 Zhu  
D946,816 S \* 3/2022 Zheng ..... D26/118  
D952,935 S 5/2022 Zhang

\* cited by examiner

*Primary Examiner* — Richard Kearney  
*Assistant Examiner* — Christina M. Dodson

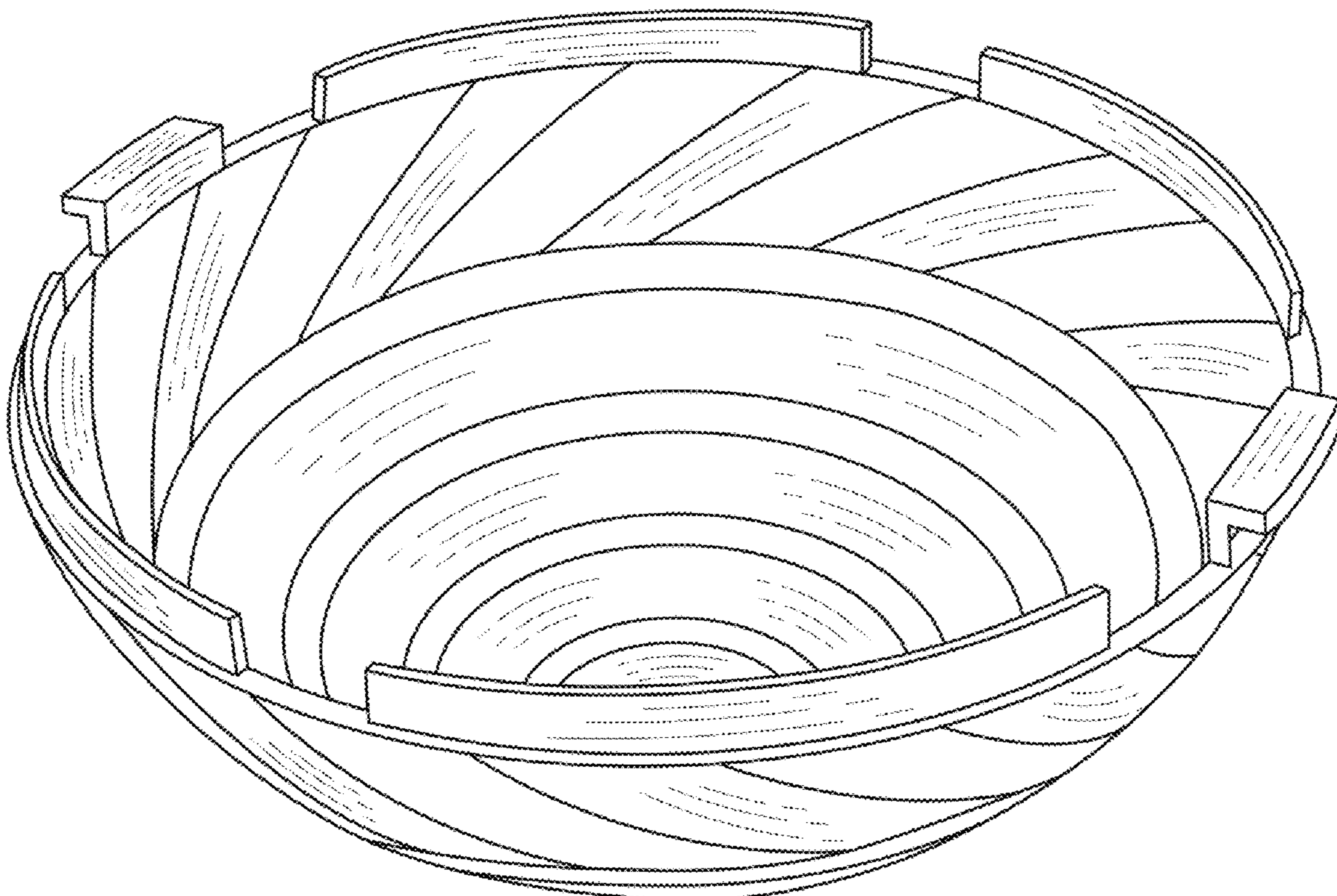
(57) **CLAIM**

The ornamental design for a lampshade, as shown and described.

**DESCRIPTION**

FIG. 1 is a perspective view of a lampshade design showing my new design.  
FIG. 2 is a front view of a lampshade.  
FIG. 3 is a rear view of a lampshade.  
FIG. 4 is a left side view of a lampshade.  
FIG. 5 is a right side view of a lampshade.  
FIG. 6 is a top view of a lampshade; and,  
FIG. 7 is a bottom view of a lampshade.

**1 Claim, 7 Drawing Sheets**



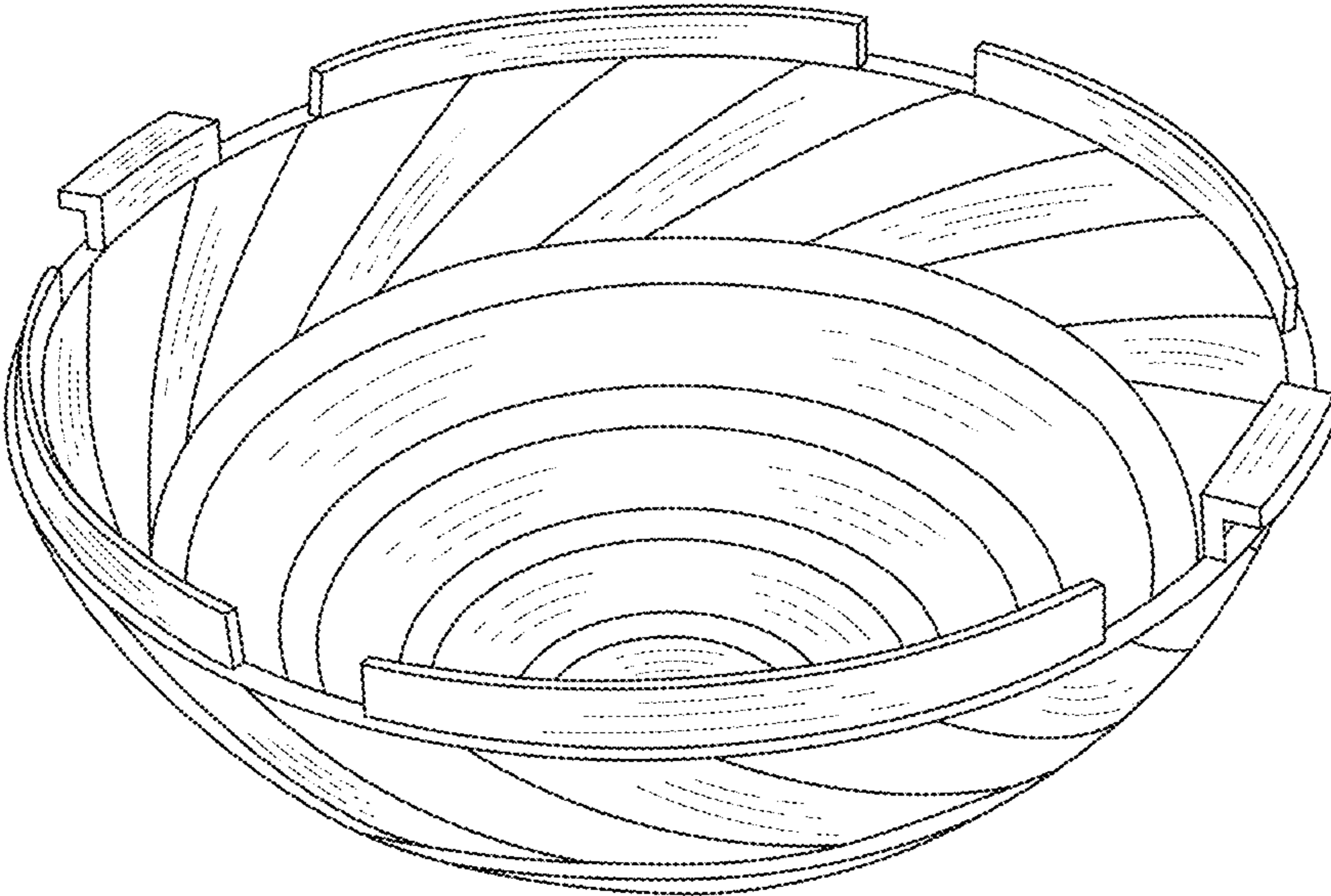


FIG. 1

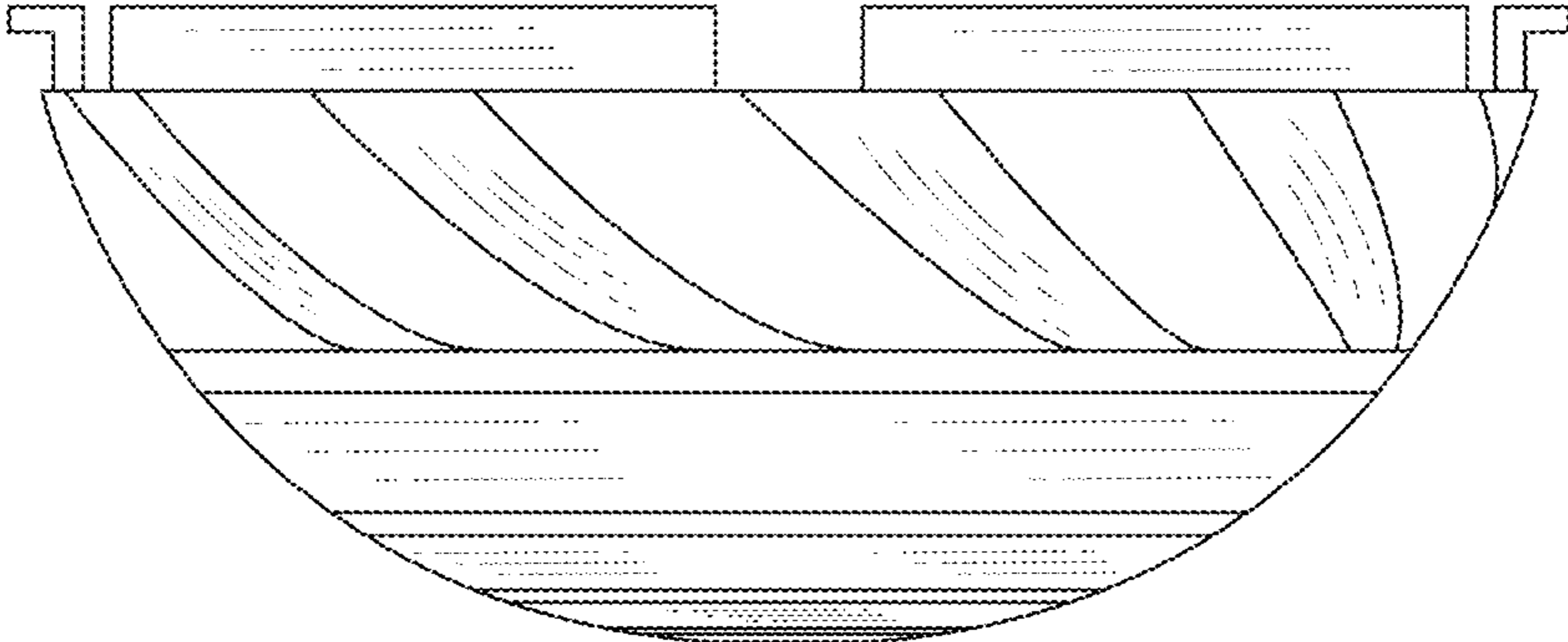


FIG. 2

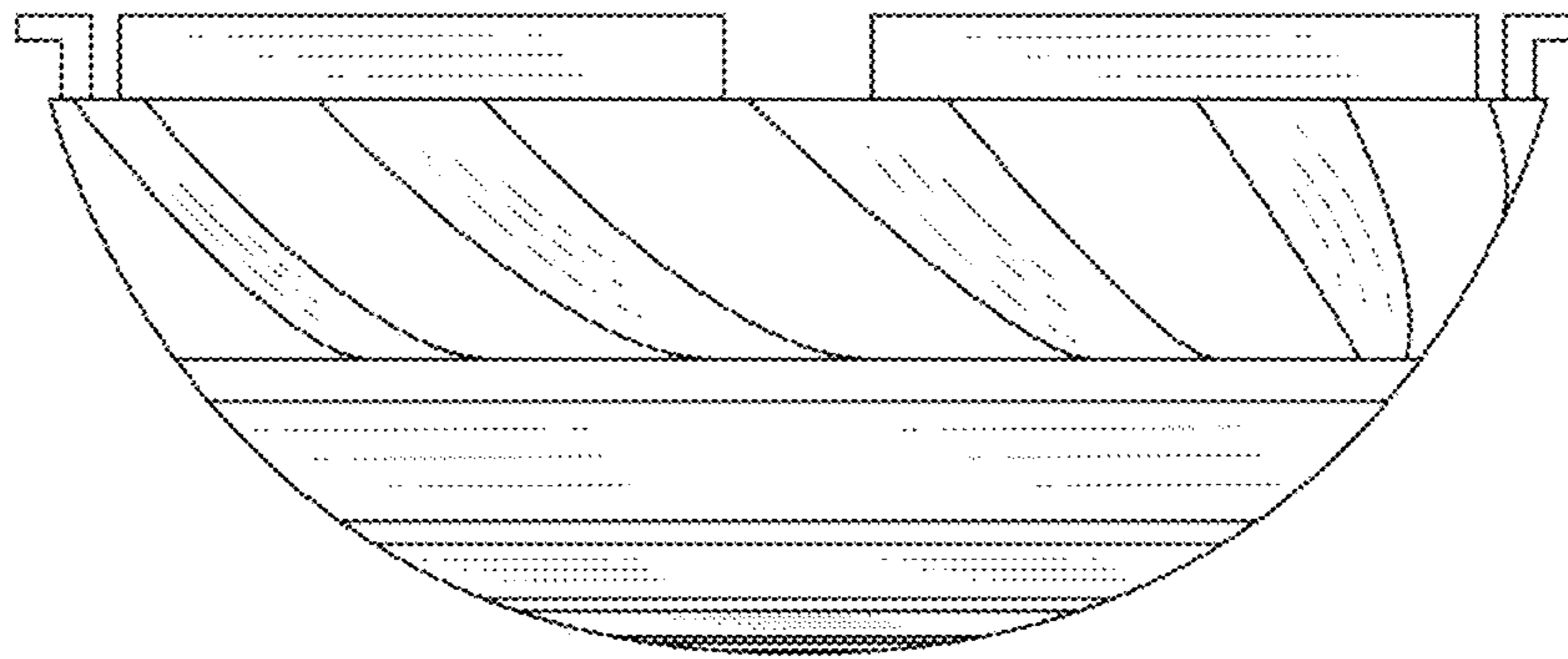


FIG. 3

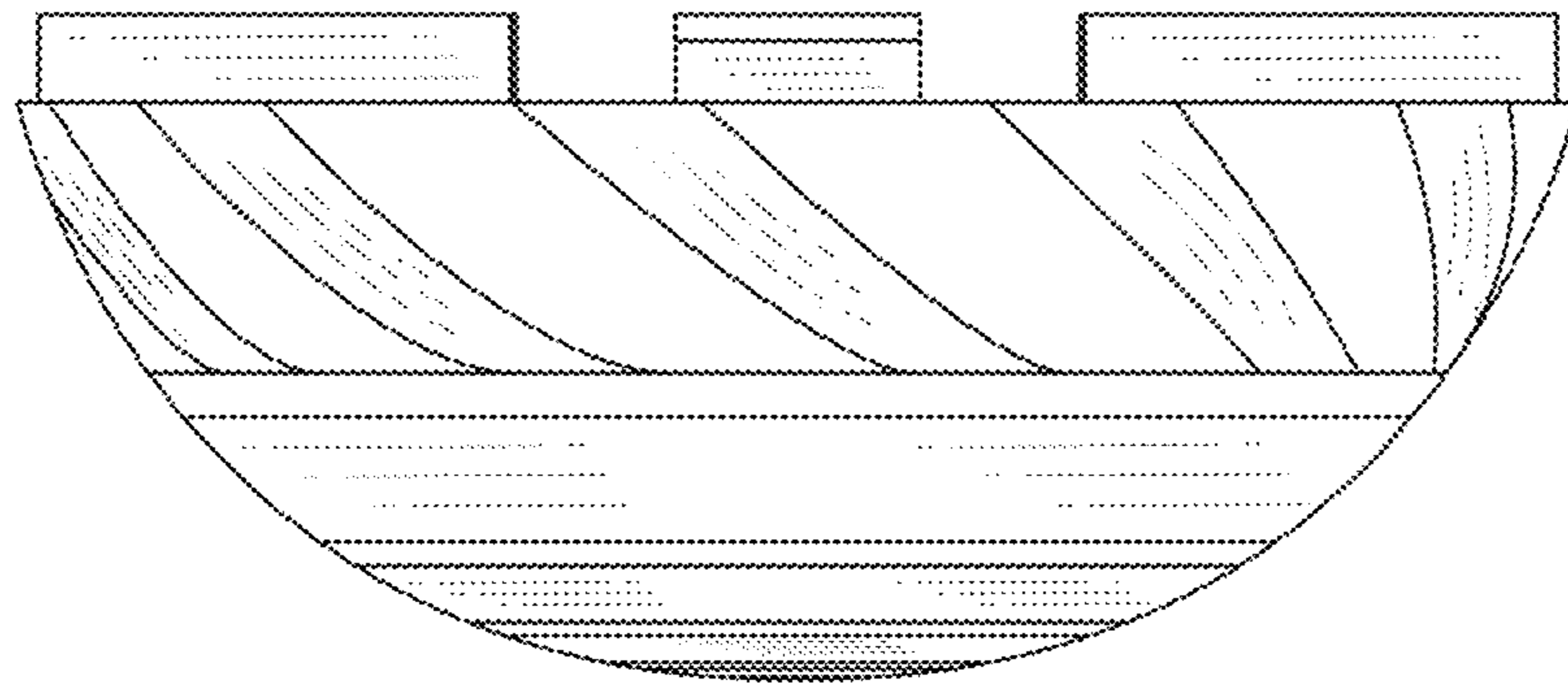


FIG. 4

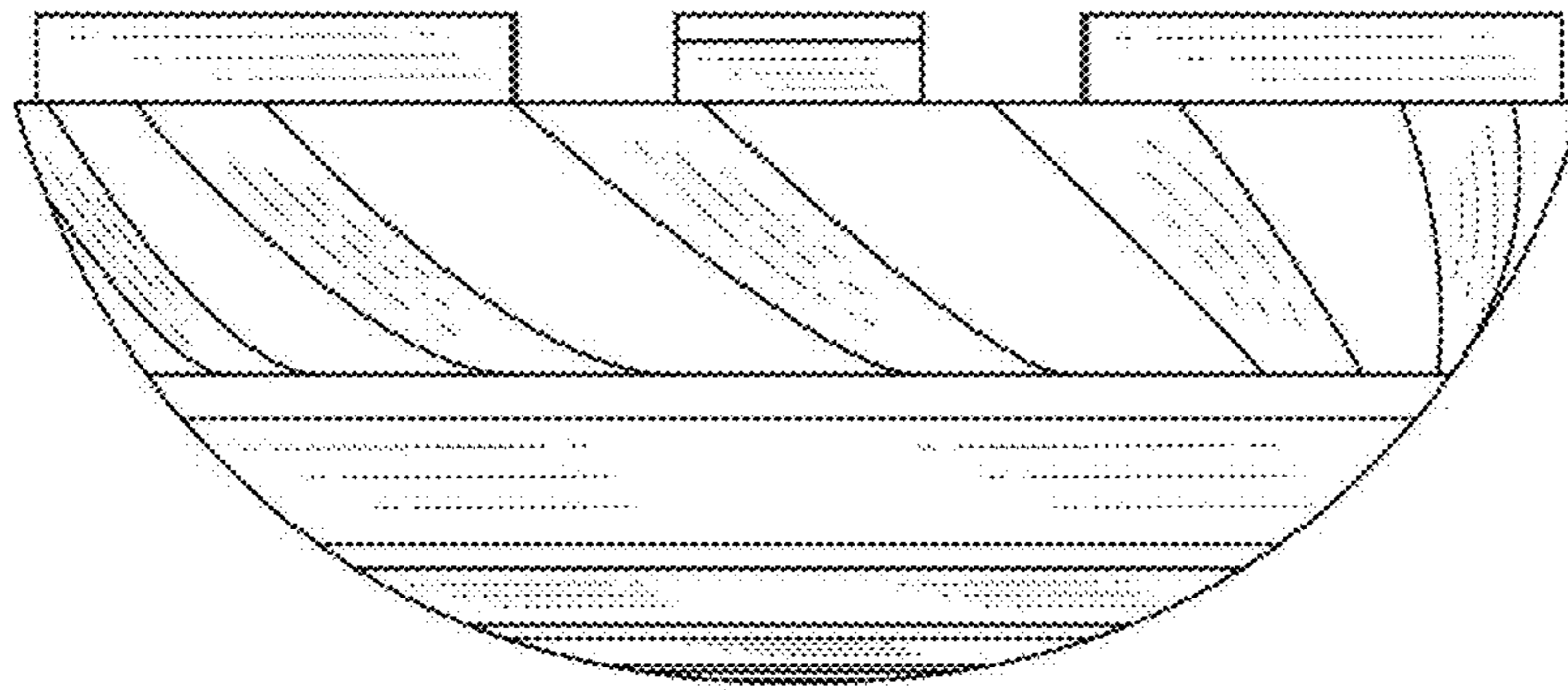


FIG. 5

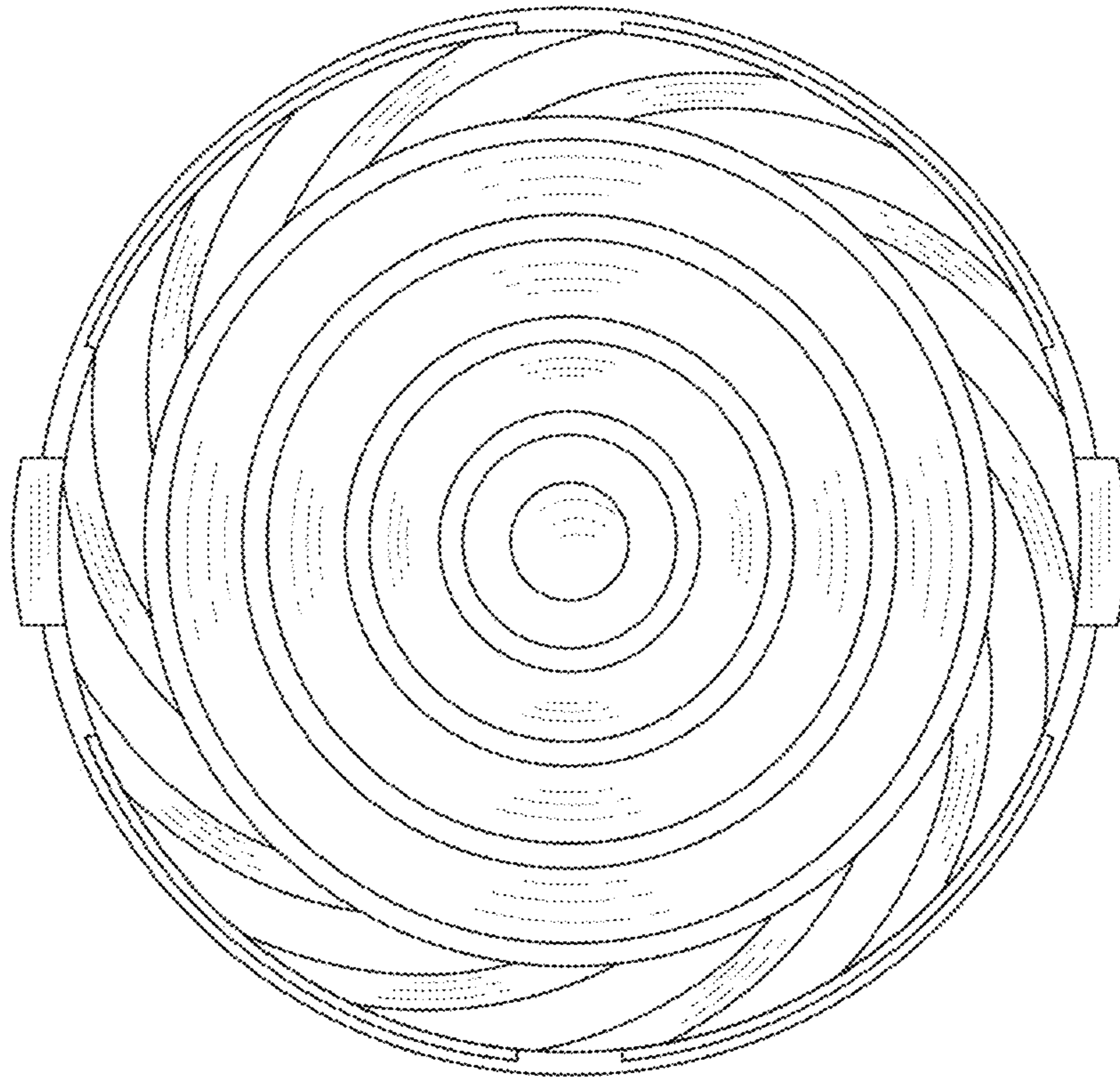


FIG. 6

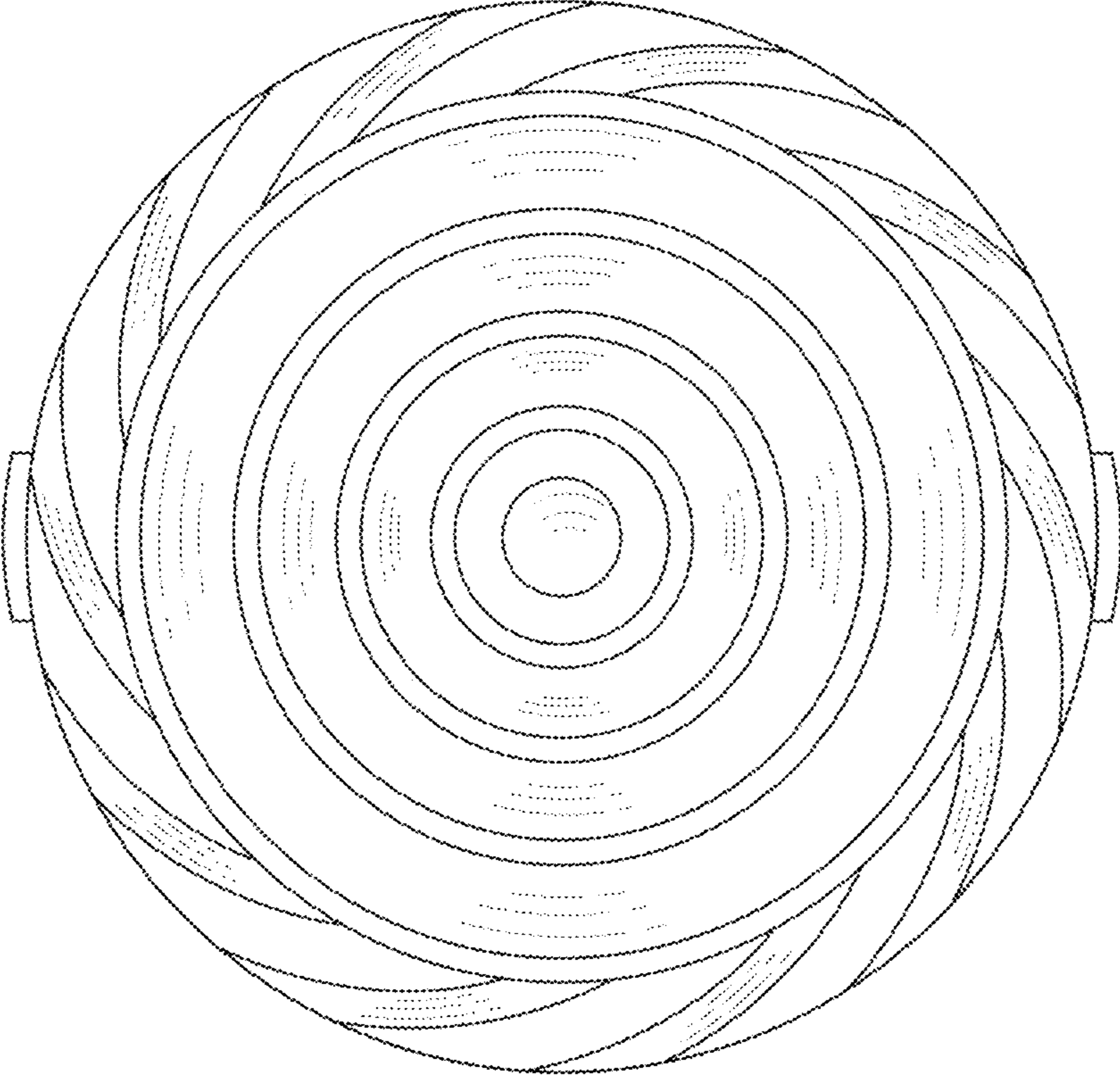


FIG. 7