



US00D979121S

(12) **United States Design Patent** (10) **Patent No.:** **US D979,121 S**
Liang (45) **Date of Patent:** **** Feb. 21, 2023**

(54) **PROJECTOR LIGHT**

D946,199 S * 3/2022 Cai D26/93
D946,804 S * 3/2022 Xia D26/106
D946,812 S * 3/2022 Lin D26/106
D948,098 S * 4/2022 Yan D26/63

(71) Applicant: **Bo Liang**, Maoming (CN)

(72) Inventor: **Bo Liang**, Maoming (CN)

(**) Term: **15 Years**

FOREIGN PATENT DOCUMENTS

CN 202130150861.9 * 9/2021

(21) Appl. No.: **29/777,066**

OTHER PUBLICATIONS

(22) Filed: **Apr. 2, 2021**

Yeelight Sunset Projection Lamp, posted Jan. 11, 2021 [online],
[retrieved Nov. 2, 2022]. Retrieved from internet, <https://us.yeelight.com/shop/yeelight-sunset-projection-lamp/> (Year: 2021).*

(51) **LOC (14) Cl.** **26-05**

(52) **U.S. Cl.**

USPC **D26/93**

* cited by examiner

(58) **Field of Classification Search**

USPC D26/1, 24, 67-68, 93, 104, 113, 118;
D16/203; D14/225, 227-228
CPC ... F21W 2121/008; F21V 21/02; F21V 21/10;
F21V 21/0824; F21S 6/00; F21S 6/002;
F21S 6/004; F21S 6/005; F21S 8/081;
F21S 8/003; F21S 9/00; F21L 4/025;
F21L 4/027

Primary Examiner — Lakiya G Rogers
Assistant Examiner — Michelle K. Lu
(74) *Attorney, Agent, or Firm* — Rumit Ranjit Kanakia

(57) **CLAIM**

I claim the ornamental design for a projector light, as shown and described.

See application file for complete search history.

DESCRIPTION

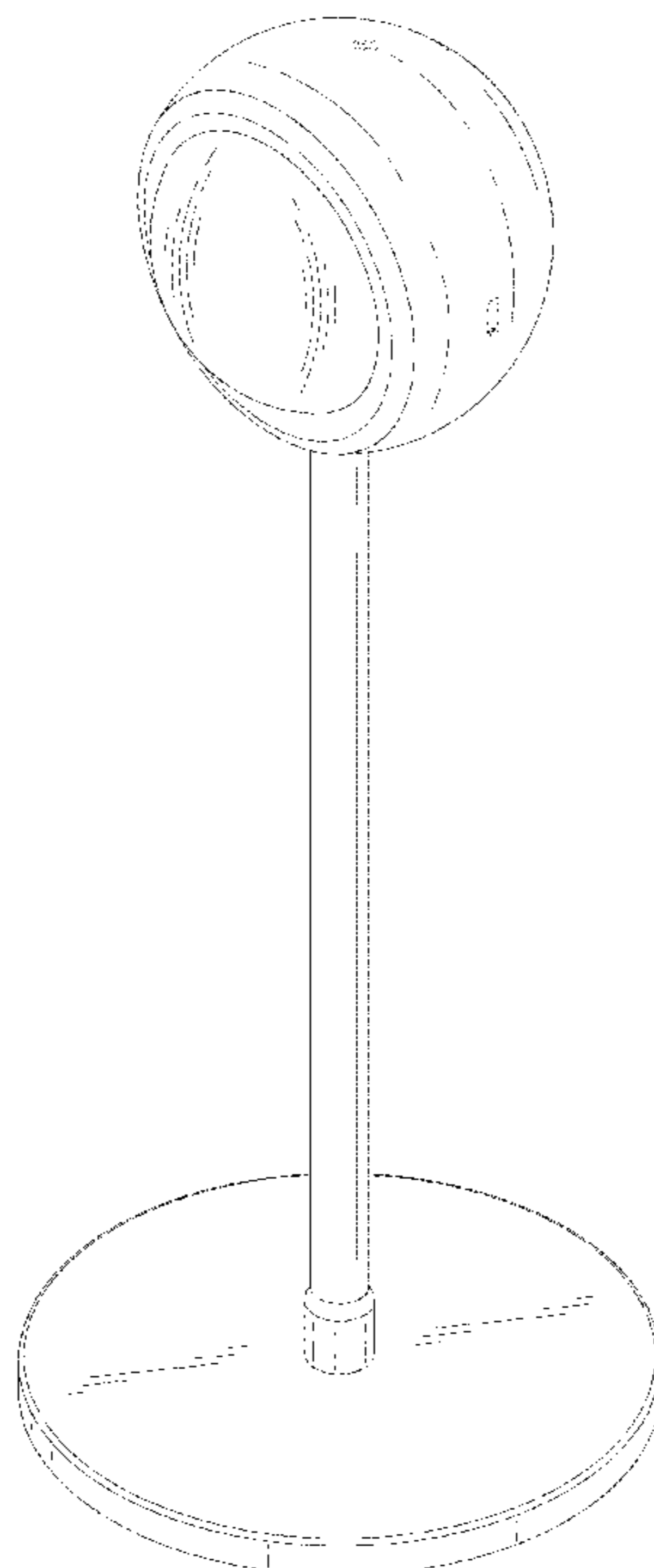
(56) **References Cited**

U.S. PATENT DOCUMENTS

D209,710 S * 12/1967 Bruce D14/133
D210,239 S * 2/1968 Bobrick D26/68
D511,352 S * 11/2005 Oliver D16/214
D527,405 S * 8/2006 Kim D16/202
D698,984 S * 2/2014 Meise D26/93
D757,978 S * 5/2016 Mauro D26/63
D836,698 S * 12/2018 Hathway D16/202
D884,052 S * 5/2020 Tang D16/203
D898,800 S * 10/2020 Zeng D16/203
D931,515 S * 9/2021 Zhang D26/63

FIG. 1 is a Front Perspective view of a projector light showing my new design;
FIG. 2 is a Front view thereof;
FIG. 3 is a Back view thereof;
FIG. 4 is a Right-side view thereof;
FIG. 5 is a Left-side view thereof;
FIG. 6 is a Top view thereof; and,
FIG. 7 is a Bottom view thereof.
The broken lines in the drawings depict portions of the projector light that form no part of the claimed design.

1 Claim, 6 Drawing Sheets



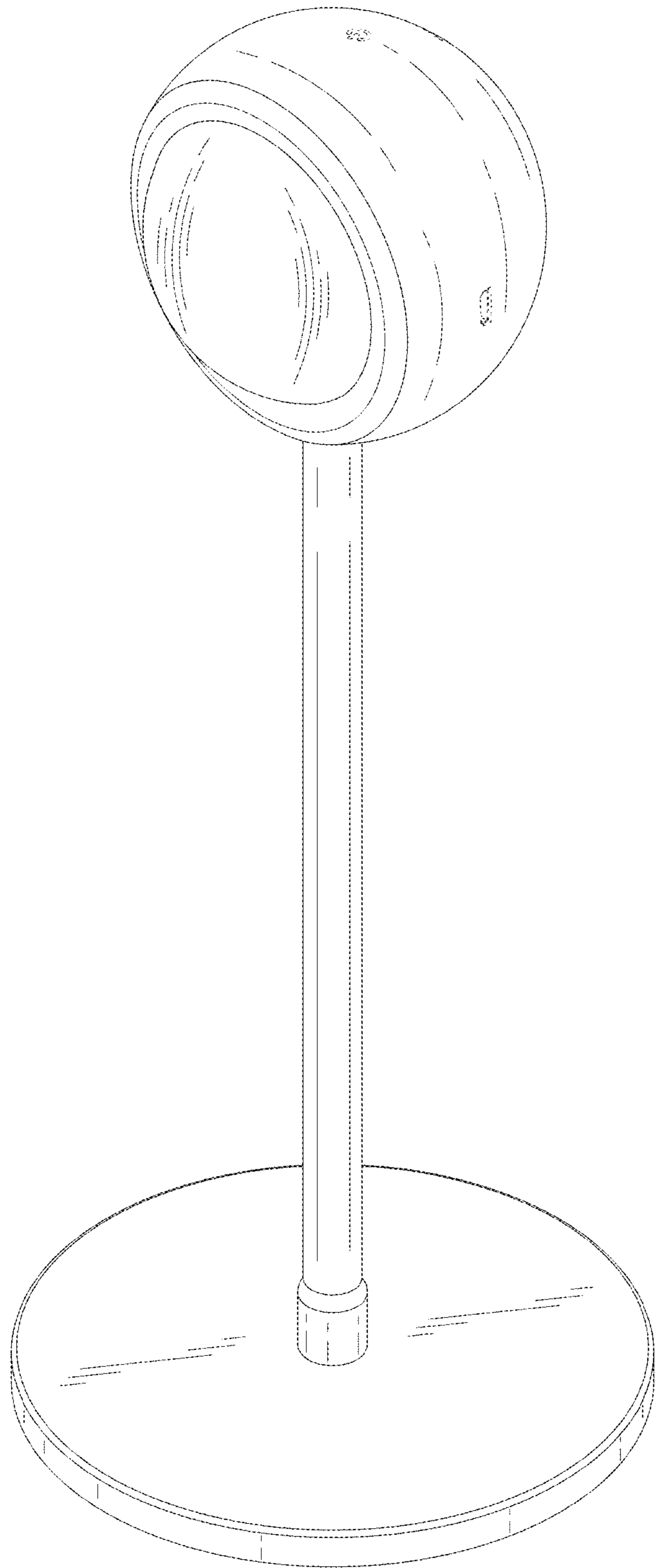


FIG. 1

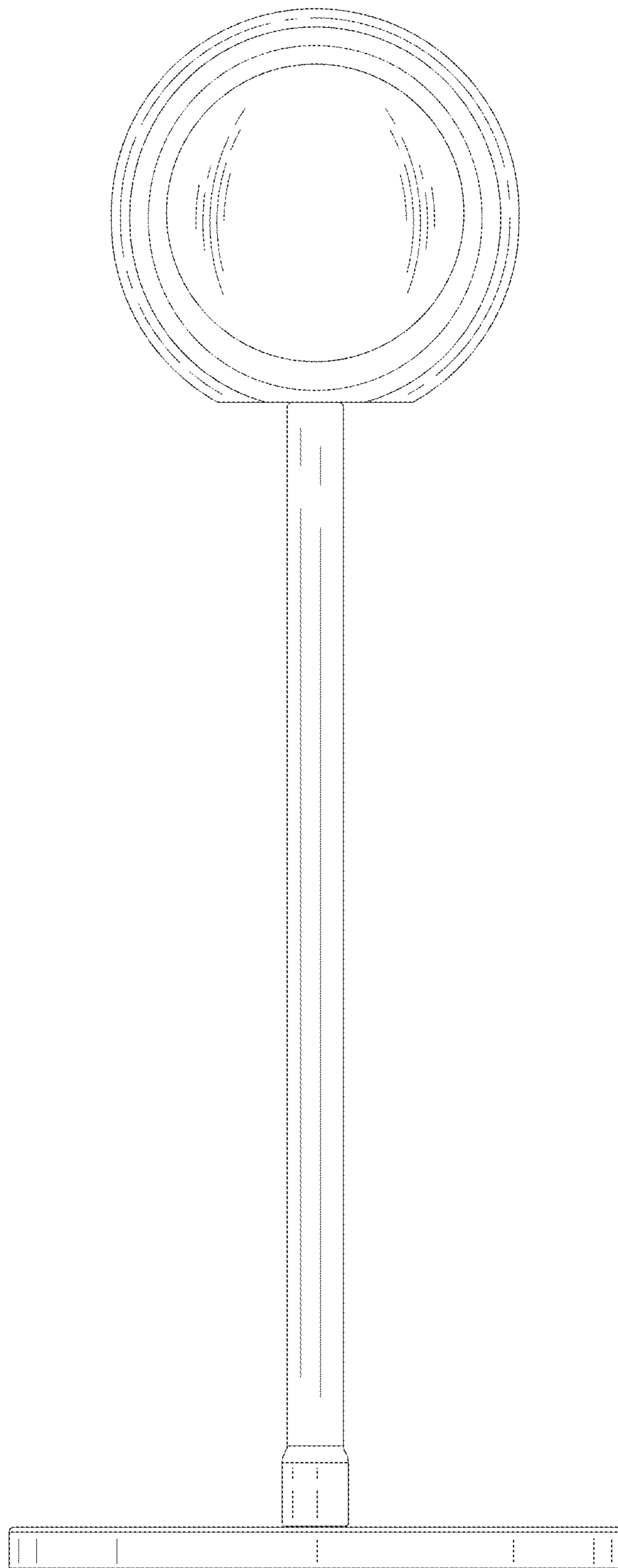


FIG. 2

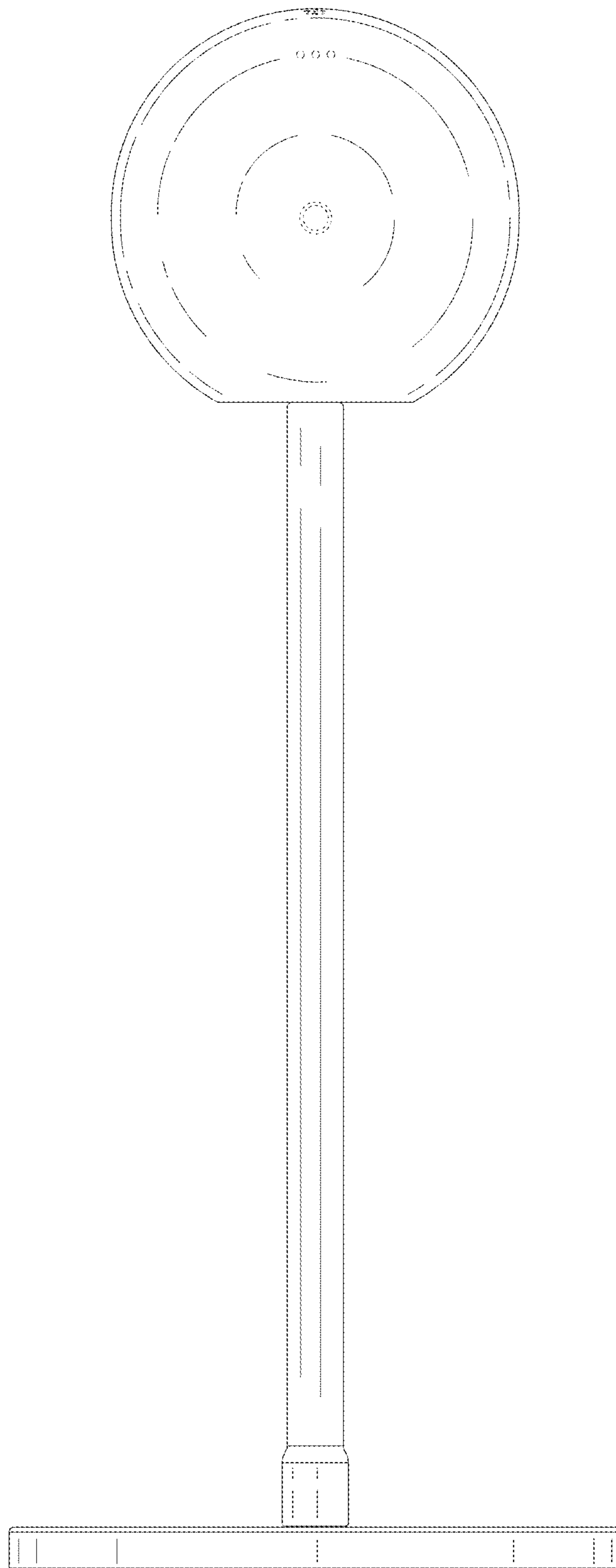


FIG. 3

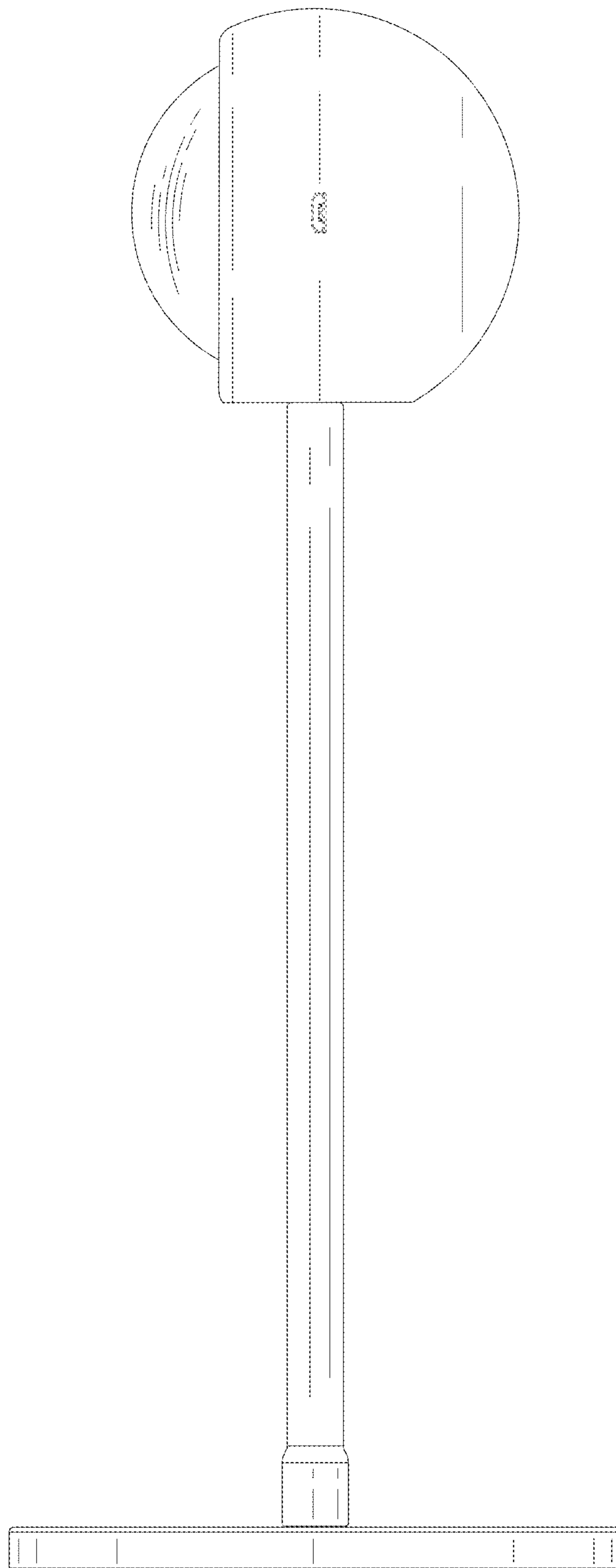


FIG. 4

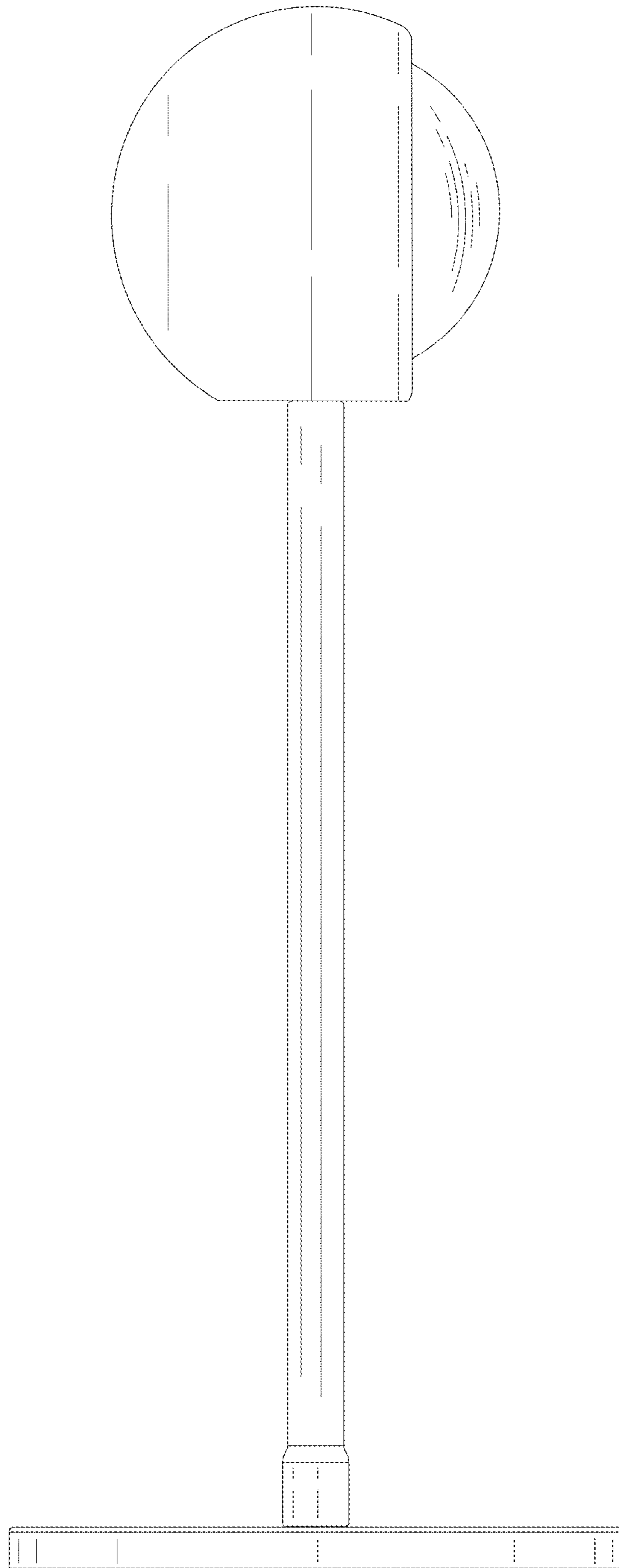


FIG. 5

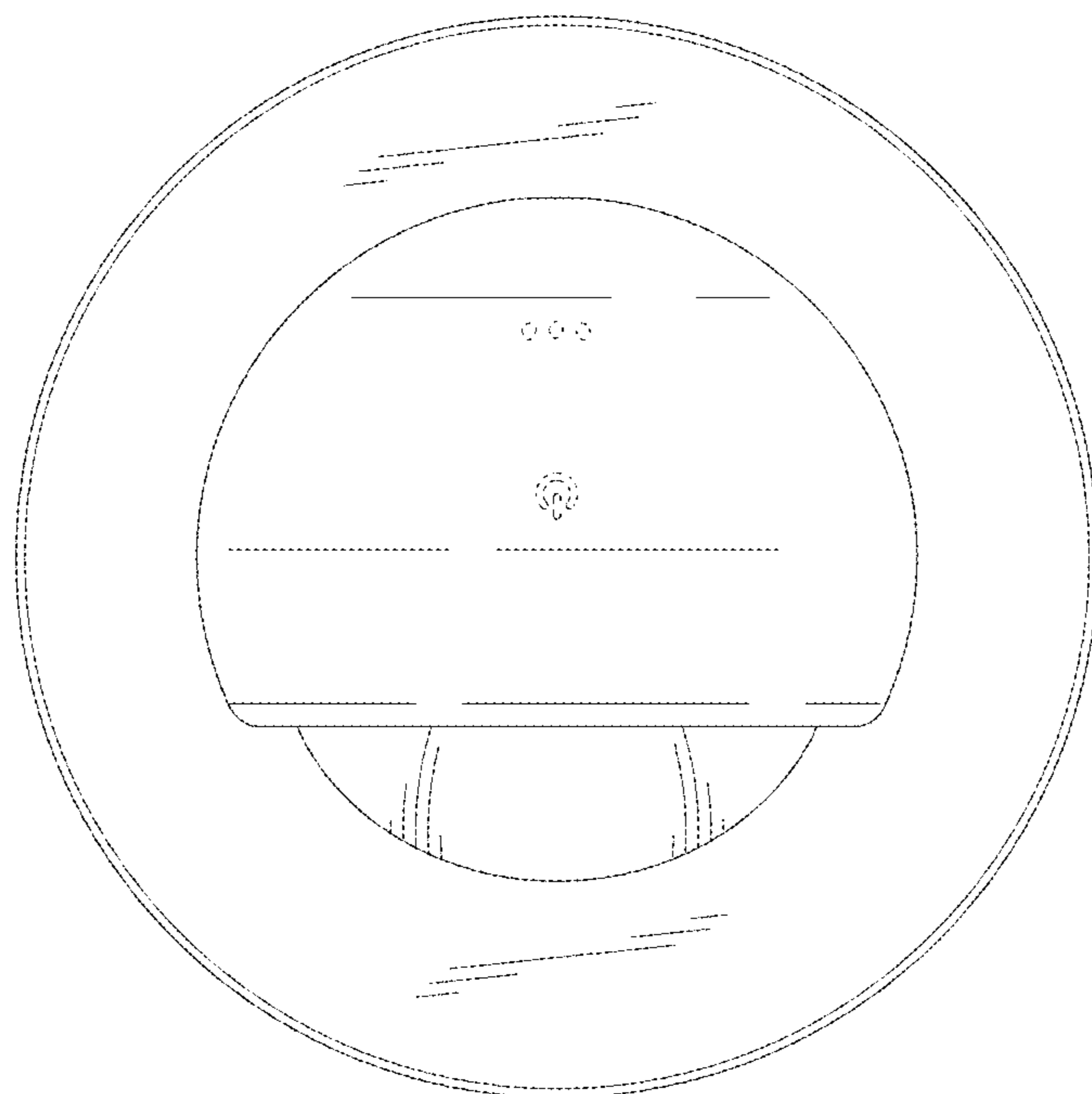


FIG. 6

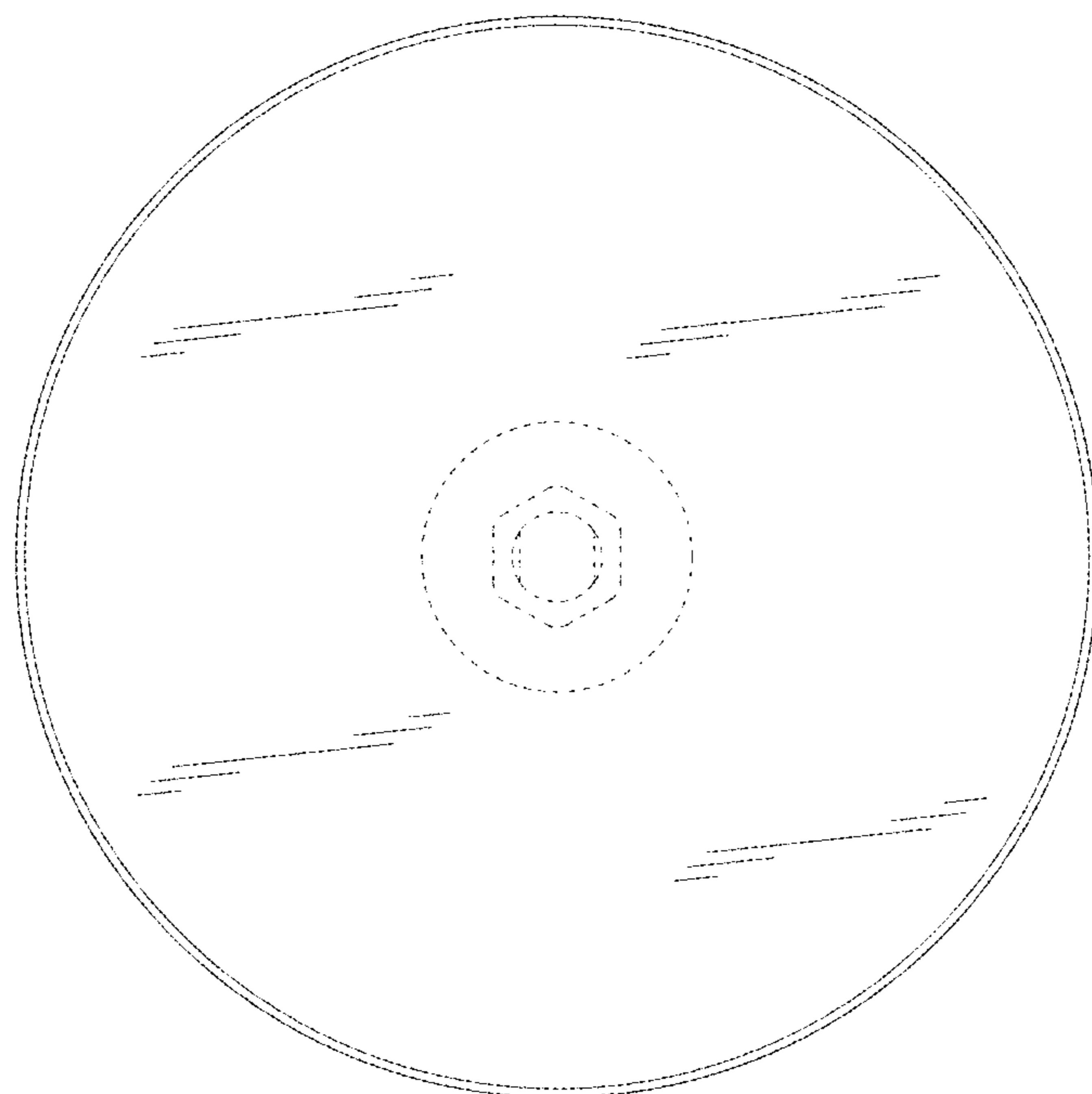


FIG. 7