



US00D979119S

(12) **United States Design Patent**
Mai

(10) **Patent No.:** **US D979,119 S**

(45) **Date of Patent:** **** Feb. 21, 2023**

(54) **LIGHT**

(71) Applicant: **Kunhua Mai**, Zhongshan (CN)

(72) Inventor: **Kunhua Mai**, Zhongshan (CN)

(**) Term: **15 Years**

(21) Appl. No.: **29/859,008**

(22) Filed: **Nov. 7, 2022**

(51) **LOC (14) Cl.** **26-03**

(52) **U.S. Cl.**
USPC **D26/67**

(58) **Field of Classification Search**
USPC D11/117, 121, 130; D26/1, 2, 4, 24, 25,
D26/27, 57, 61, 67, 73, 94, 98, 103, 110,
D26/119, 128
CPC F21V 21/0824; F21V 5/041; F21V 5/043;
F21V 5/045; F21V 5/046; F21V 5/048;
F21V 3/02; F21V 1/14; F21V 1/143;
F21V 1/24; F21V 1/20; F21V 1/22
See application file for complete search history.

(56) **References Cited**

U.S. PATENT DOCUMENTS

D862,761 S * 10/2019 Li D26/68
D895,876 S 9/2020 Tang
D899,658 S * 10/2020 Wang D26/67

D899,659 S 10/2020 Wang
D906,564 S * 12/2020 Wu D26/67
D908,942 S * 1/2021 Pan D26/68
D924,458 S 7/2021 Tang
D947,435 S * 3/2022 Li D26/67
D965,840 S * 10/2022 Mai D13/102
D965,841 S * 10/2022 Liu D13/102
D967,487 S * 10/2022 Xu D26/67
D969,378 S * 11/2022 Jiang D26/67
D970,772 S * 11/2022 Qin D26/67

* cited by examiner

Primary Examiner — Michael A. Pratt

(74) *Attorney, Agent, or Firm* — Runit Ranjit Kanakia

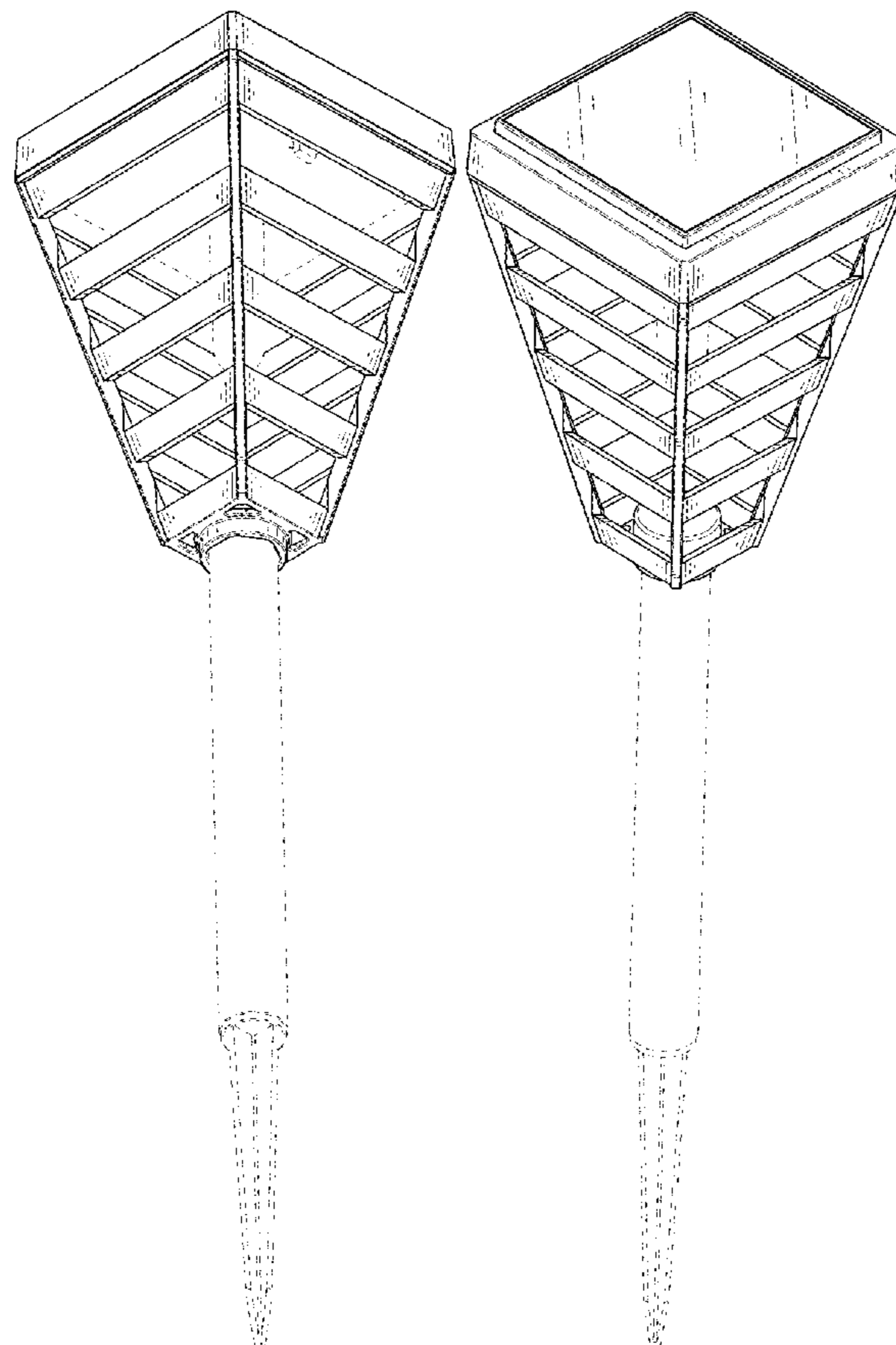
(57) **CLAIM**

The ornamental design for a light, as shown and described.

DESCRIPTION

FIG. 1 is a first perspective view of a light showing my new design;
FIG. 2 is a second perspective view thereof;
FIG. 3 is a front view thereof;
FIG. 4 is a back view thereof;
FIG. 5 is a left side view thereof;
FIG. 6 is a right side view thereof;
FIG. 7 is a top view thereof; and,
FIG. 8 is a bottom view thereof.
The broken lines shown in the drawings depict portions of the light that form no part of the claimed design.

1 Claim, 8 Drawing Sheets



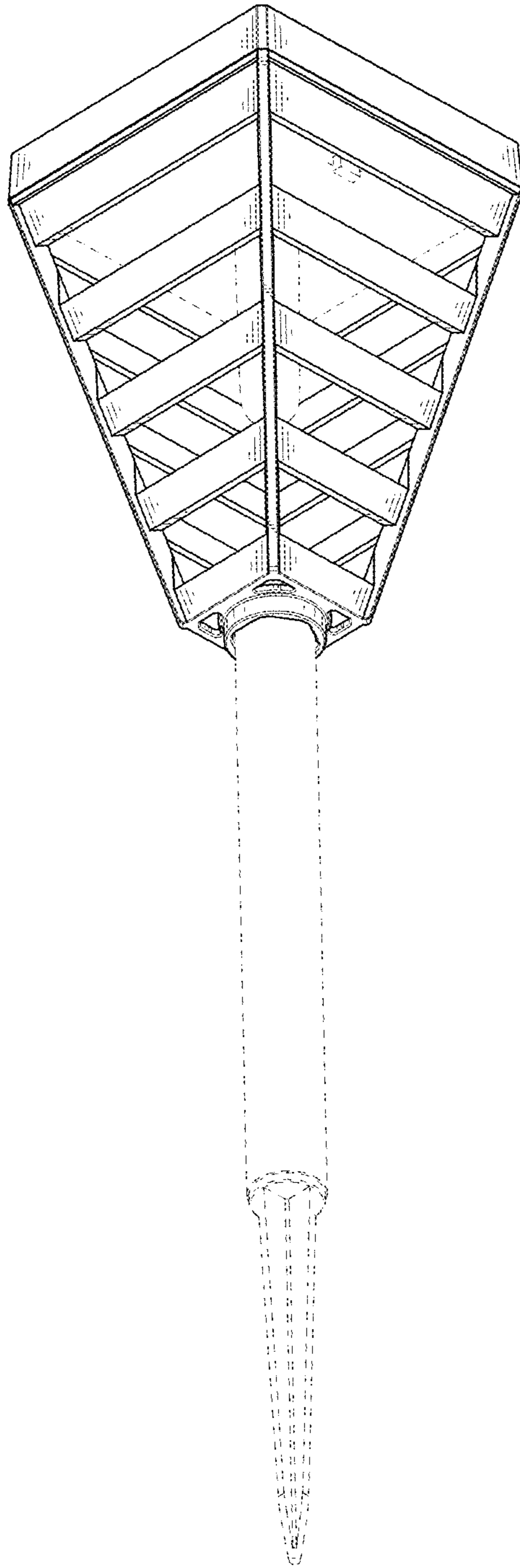


FIG. 1

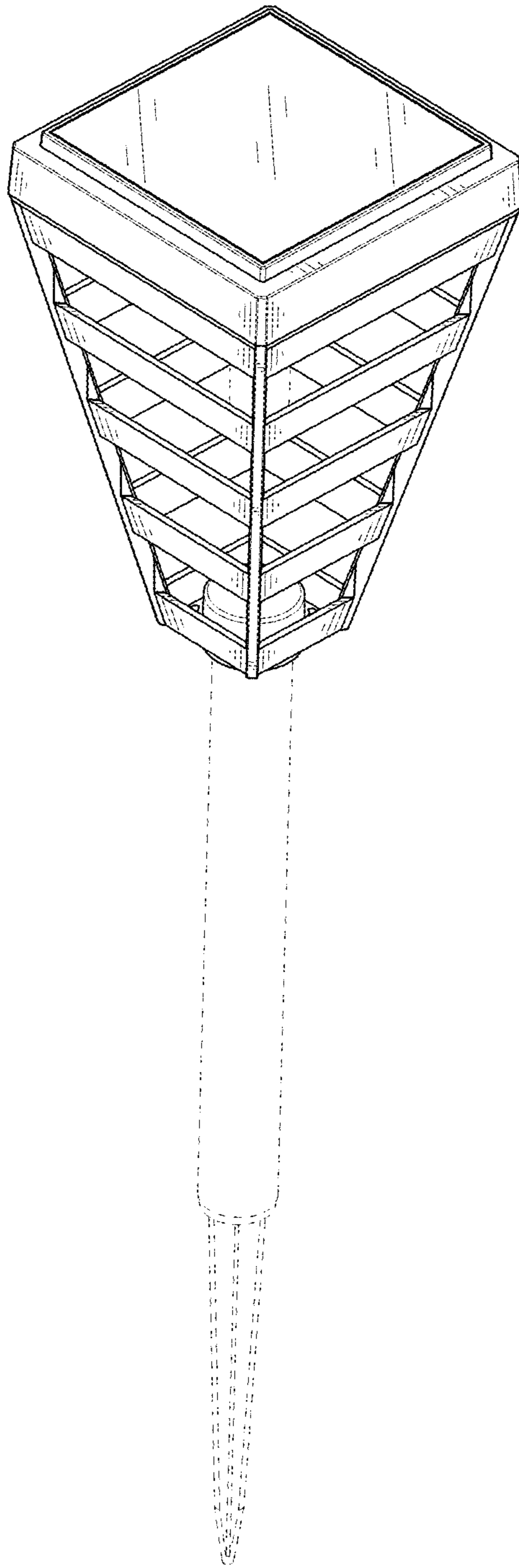


FIG. 2

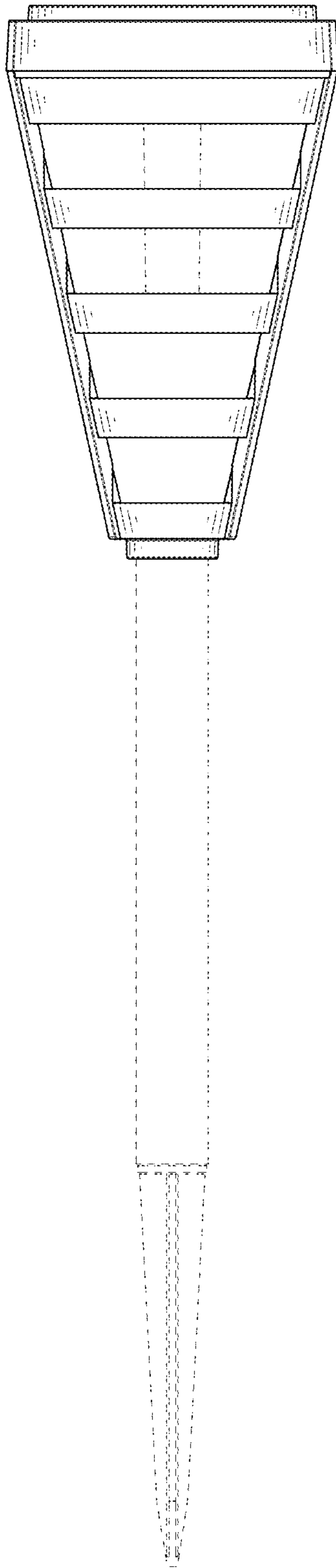


FIG. 3

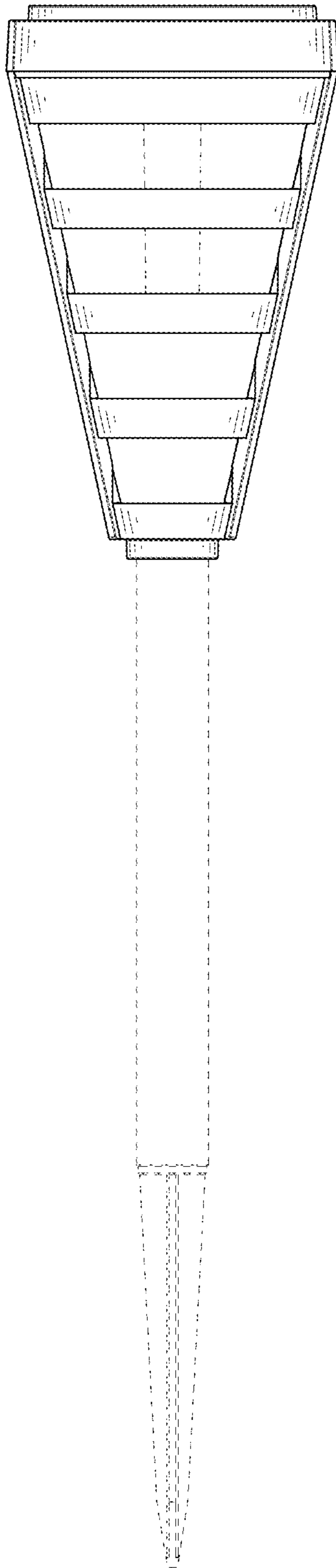


FIG. 4

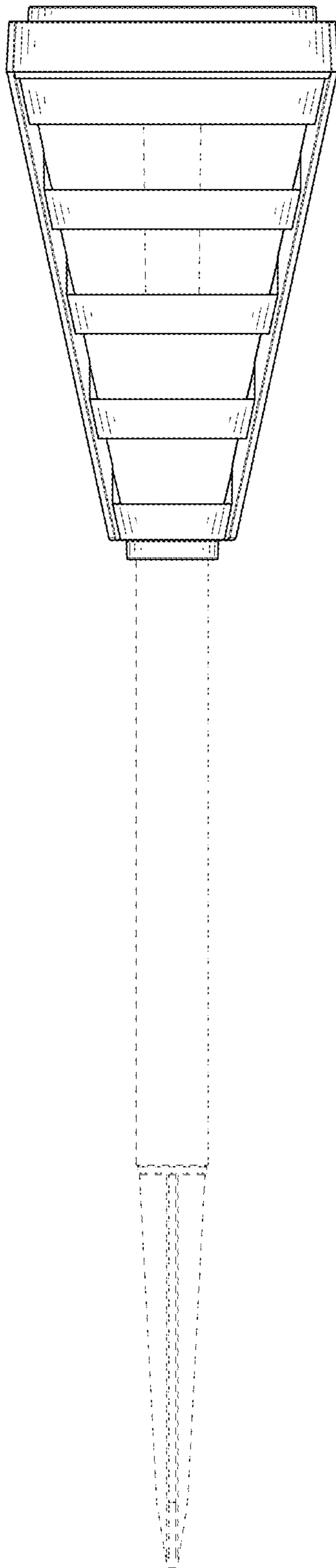


FIG. 5

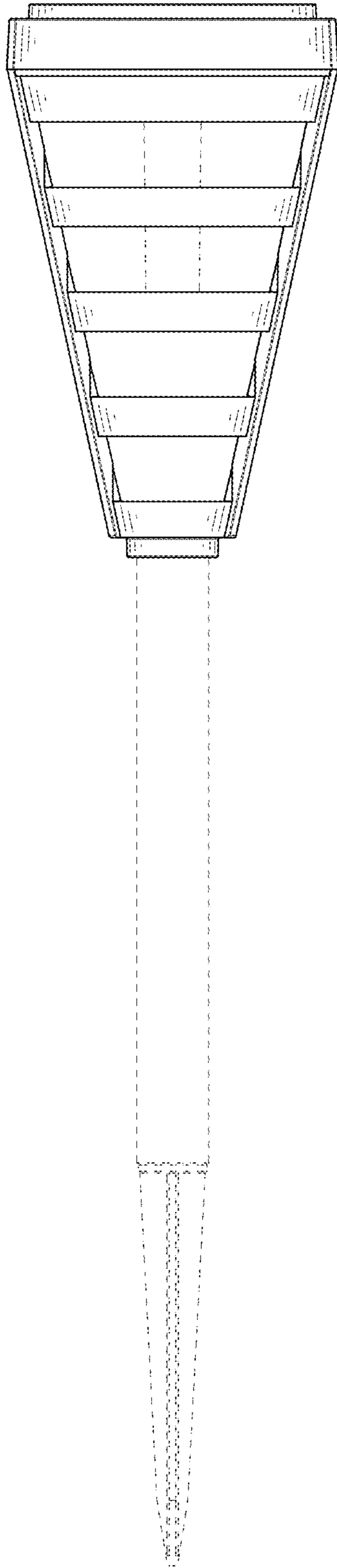


FIG. 6

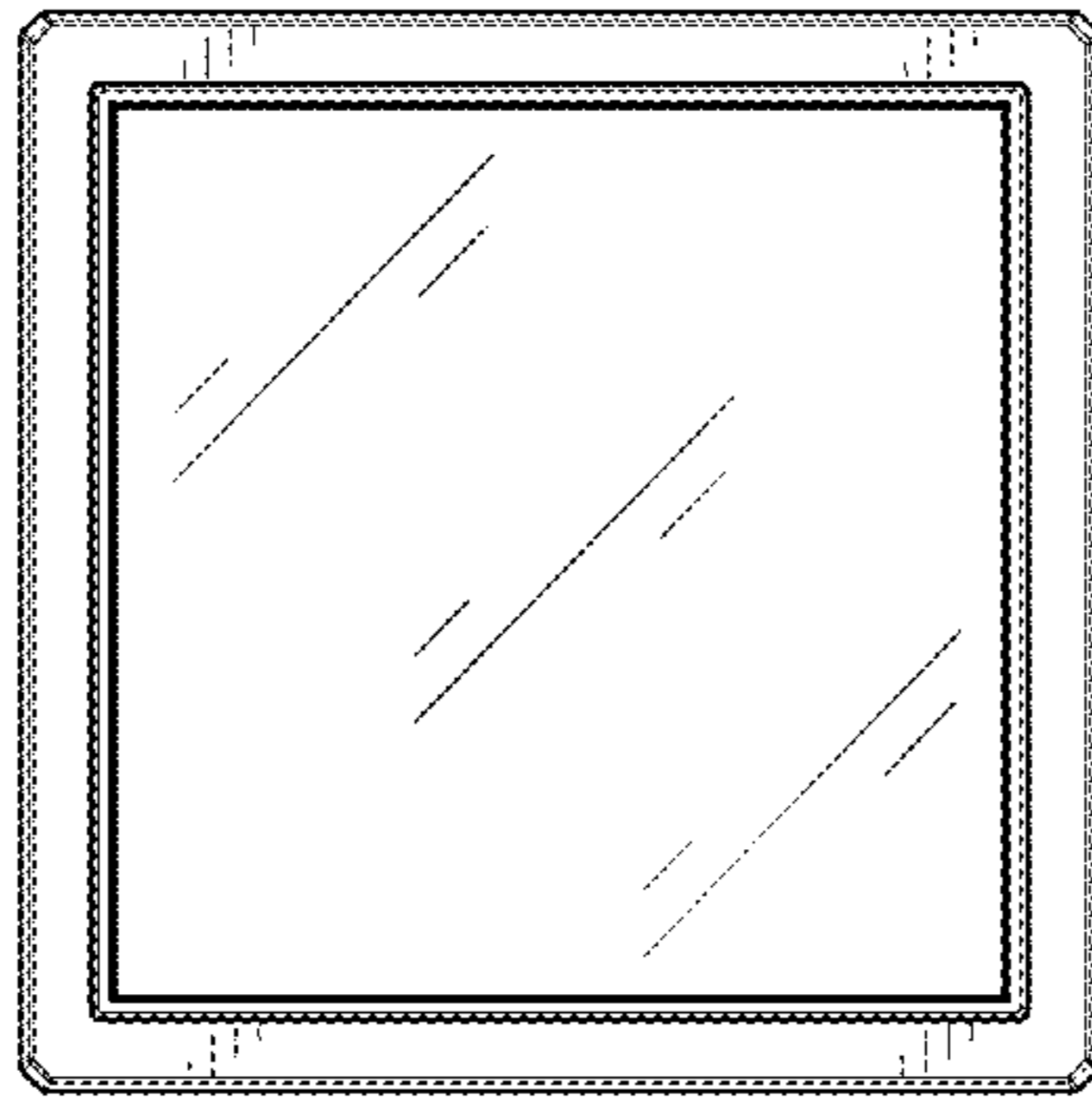


FIG. 7

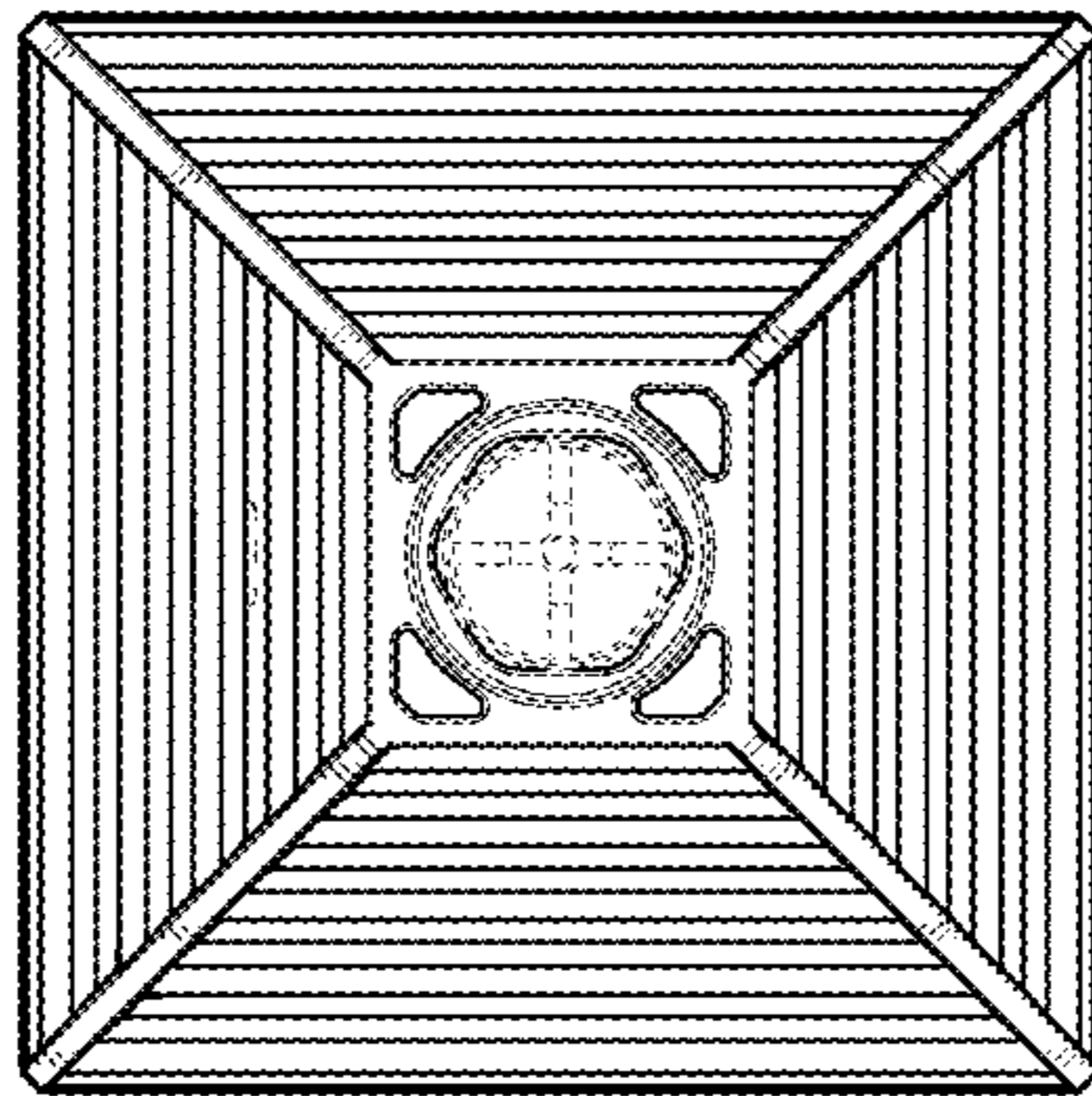


FIG. 8