



US00D979115S

(12) **United States Design Patent**  
**Haggar et al.**

(10) **Patent No.:** **US D979,115 S**

(45) **Date of Patent:** **\*\* Feb. 21, 2023**

- (54) **CEILING FAN LIGHT KIT**
- (71) Applicant: **HUNTER FAN COMPANY**,  
Memphis, TN (US)
- (72) Inventors: **Alexander Jonathan Haggar**,  
Memphis, TN (US); **Christophe**  
**Badarello**, Holly Springs, TN (US)
- (73) Assignee: **Hunter Fan Company**, Memphis, TN  
(US)

- D346,858 S 5/1994 Lee
- D386,257 S 11/1997 Liu
- D421,797 S 3/2000 Collmar
- D445,887 S 7/2001 Campbell
- D449,682 S 10/2001 Gajewski
- D453,563 S 2/2002 Bogazzi
- D462,756 S 9/2002 Liu
- D476,411 S 6/2003 Frieses
- D477,068 S 7/2003 Hsieh
- D477,396 S 7/2003 Campbell
- D478,974 S 8/2003 Hidalgo

(Continued)

- (\*\*) Term: **15 Years**
- (21) Appl. No.: **29/744,631**
- (22) Filed: **Jul. 30, 2020**

**OTHER PUBLICATIONS**

<https://www.amazon.com/Minka-Aire-F824-ORB-TB-Oil-Rubbed-Ceiling/dp/B002ZXG6DU?th=1>, Item Specification for Minka-Aire F824-BK/CH, Uchiwa, 56" Ceiling Fan with Light, accessed on Oct. 12, 2016.

(Continued)

**Related U.S. Application Data**

- (60) Continuation of application No. 29/703,407, filed on Aug. 27, 2019, now Pat. No. Des. 895,098, which is a continuation of application No. 29/621,744, filed on Oct. 11, 2017, now Pat. No. Des. 875,919, which is a division of application No. 29/581,188, filed on Oct. 17, 2016, now Pat. No. Des. 807,491.
- (51) **LOC (14) Cl.** ..... **26-03**
- (52) **U.S. Cl.**  
USPC ..... **D26/59; D26/88; D26/89; D26/128**
- (58) **Field of Classification Search**  
USPC .... D26/59, 88, 89, 128; D23/370, 377, 385,  
D23/411  
CPC ..... F21V 33/0096; F21V 15/01; F04D 25/088  
See application file for complete search history.

*Primary Examiner* — Janice Hallmark

(74) *Attorney, Agent, or Firm* — McGarry Bair PC

(57) **CLAIM**

The ornamental design for a ceiling fan light kit, as shown and described.

**DESCRIPTION**

FIG. 1 is a top perspective view of a ceiling fan light kit, shown in the environment of a ceiling fan, showing our new design;

FIG. 2 is a top perspective view thereof, having the ceiling fan environment removed;

FIG. 3 is a bottom perspective view thereof;

FIG. 4 is a side view thereof;

FIG. 5 is a bottom view thereof; and,

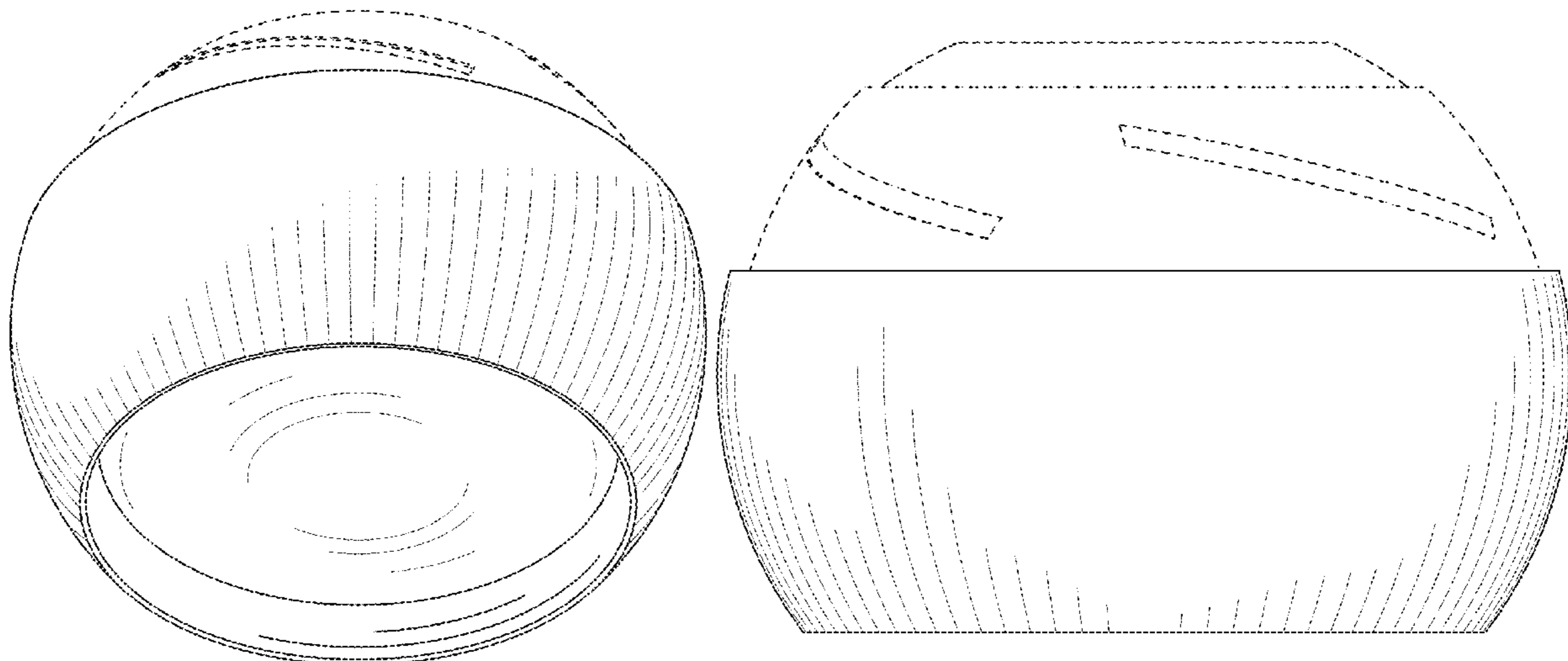
FIG. 6 is a top view thereof.

Portions of the ceiling fan light kit and the ceiling fan environment are shown in broken lines, which form no part of the claimed design.

(56) **References Cited**  
**U.S. PATENT DOCUMENTS**

- D304,229 S 10/1989 Rezek
- D319,842 S 9/1991 Tanda
- D339,651 S \* 9/1993 Vieyra ..... D26/86
- D342,311 S 12/1993 Rezek
- D346,439 S 4/1994 Liu

**1 Claim, 5 Drawing Sheets**



(56)

References Cited

U.S. PATENT DOCUMENTS

D492,762 S 7/2004 Young  
 D516,201 S \* 2/2006 Badarello ..... D23/411  
 D519,624 S 4/2006 Chen  
 D519,625 S 4/2006 Young  
 D523,138 S 6/2006 Burns  
 D525,699 S 7/2006 Davenport et al.  
 D527,451 S \* 8/2006 Glasbrenner ..... D23/385  
 D535,014 S 1/2007 Pickett  
 D549,814 S 8/2007 Gajewski  
 D556,939 S \* 12/2007 Gajewski ..... D26/128  
 D556,940 S 12/2007 Gajewski  
 D562,961 S \* 2/2008 Pickett ..... D26/59  
 D566,321 S \* 4/2008 Pickett ..... D26/128  
 D572,814 S 7/2008 Bucher et al.  
 D572,817 S 7/2008 Kuwano et al.  
 D583,980 S \* 12/2008 Guercio ..... D26/88  
 D588,300 S \* 3/2009 Sabernig ..... D26/89  
 D594,540 S \* 6/2009 Pan ..... D23/377  
 D596,337 S \* 7/2009 Sabernig ..... D26/88  
 D598,999 S 8/2009 Hidalgo  
 D599,003 S 8/2009 Hidalgo  
 D607,138 S \* 12/2009 Pickett ..... D26/128  
 D618,786 S 6/2010 Hidalgo  
 D625,403 S \* 10/2010 Liu ..... D23/377  
 D627,870 S \* 11/2010 Wang ..... D23/411  
 D629,501 S \* 12/2010 Liu ..... D23/377  
 D663,455 S 7/2012 Glasbrenner  
 D708,314 S 7/2014 Pan  
 D743,523 S 11/2015 Ertze  
 D744,629 S 12/2015 Wang  
 D745,655 S 12/2015 Pickett  
 D773,103 S \* 11/2016 Recker ..... D26/89  
 D785,156 S 4/2017 Wang  
 D803,459 S \* 11/2017 Wright ..... D26/88  
 D807,491 S 1/2018 Haggar et al.  
 D810,912 S \* 2/2018 McRoberts ..... D26/59  
 D816,676 S \* 5/2018 Badarello ..... D23/386  
 D825,736 S \* 8/2018 Badarello ..... D23/411  
 D828,535 S 9/2018 Searle

D833,596 S 11/2018 Schulzman  
 D844,772 S \* 4/2019 Badarello ..... D23/411  
 D850,604 S 6/2019 Gajewski  
 D857,287 S \* 8/2019 Holmes ..... D26/128  
 D860,432 S \* 9/2019 Badarello ..... D23/411  
 D861,958 S \* 10/2019 Winters ..... D26/89  
 D872,251 S \* 1/2020 Haggar ..... D23/377  
 D874,634 S \* 2/2020 Haggar ..... D23/377  
 D875,919 S \* 2/2020 Haggar ..... D23/411  
 D882,748 S \* 4/2020 Haggar ..... D23/377  
 D888,221 S \* 6/2020 O'Connell ..... D23/377  
 D895,098 S \* 9/2020 Haggar ..... D23/377  
 D900,301 S \* 10/2020 Haggar ..... D23/411  
 D935,669 S \* 11/2021 McRoberts ..... D26/128  
 2016/0319842 A1 11/2016 Botkin

OTHER PUBLICATIONS

<http://www.kichler.com/products/product/52-inch-makoda-fan-obb-300137obb.aspx>, Item Specification for Kichler Makoda 52 Inch Makoda Fan OBB 300137OBB (Oil Brushed Bronze), accessed on Oct. 12, 2016.  
<http://www.montecarlofans.com/44077/56in-Skylon—Satin-Nickel-3SKYR56SND.html>, Item Specification for Monte Carlo Skylon Collection Product #: 3SKYR56SND, accessed on Oct. 12, 2016.  
<http://www.montecarlofans.com/38110/52-Nikki—Polished-Nickel-5NKR52PND.html>, Item Specification for Monte Carlo Nikki Collection Product #: 5NKR52PND, accessed on Oct. 12, 2016.  
<http://www.homedepot.com/p/Hampton-Bay-Wollaston-52-in-LED-Indoor-Polished-Nickel-Ceiling-Fan-YG338-PN/206641622>, Item Specification for Hampton Bay Wollaston 52 in. LED Indoor Polished Nickel Ceiling Fan, accessed on Oct. 12, 2016.  
<https://www.creoven.eu/en/ceiling-fans/with-lighting/120-139-cm/leds-c4-design-ceiling-fan-mauritius-132-cm-52-with-included-lighting/a-300009/>, Item No. 30-0009-N3-B8, LEDS-C4 Design Ceiling Fan Mauritius 132 cm / 52" with lighting, accessed on Oct. 11, 2017.  
<https://usa.flos.com/modern-floor-lamps/arco/>, Arco Floor Lamp 1960's Series by Achille Castiglioni, accessed Oct. 11, 2017.

\* cited by examiner

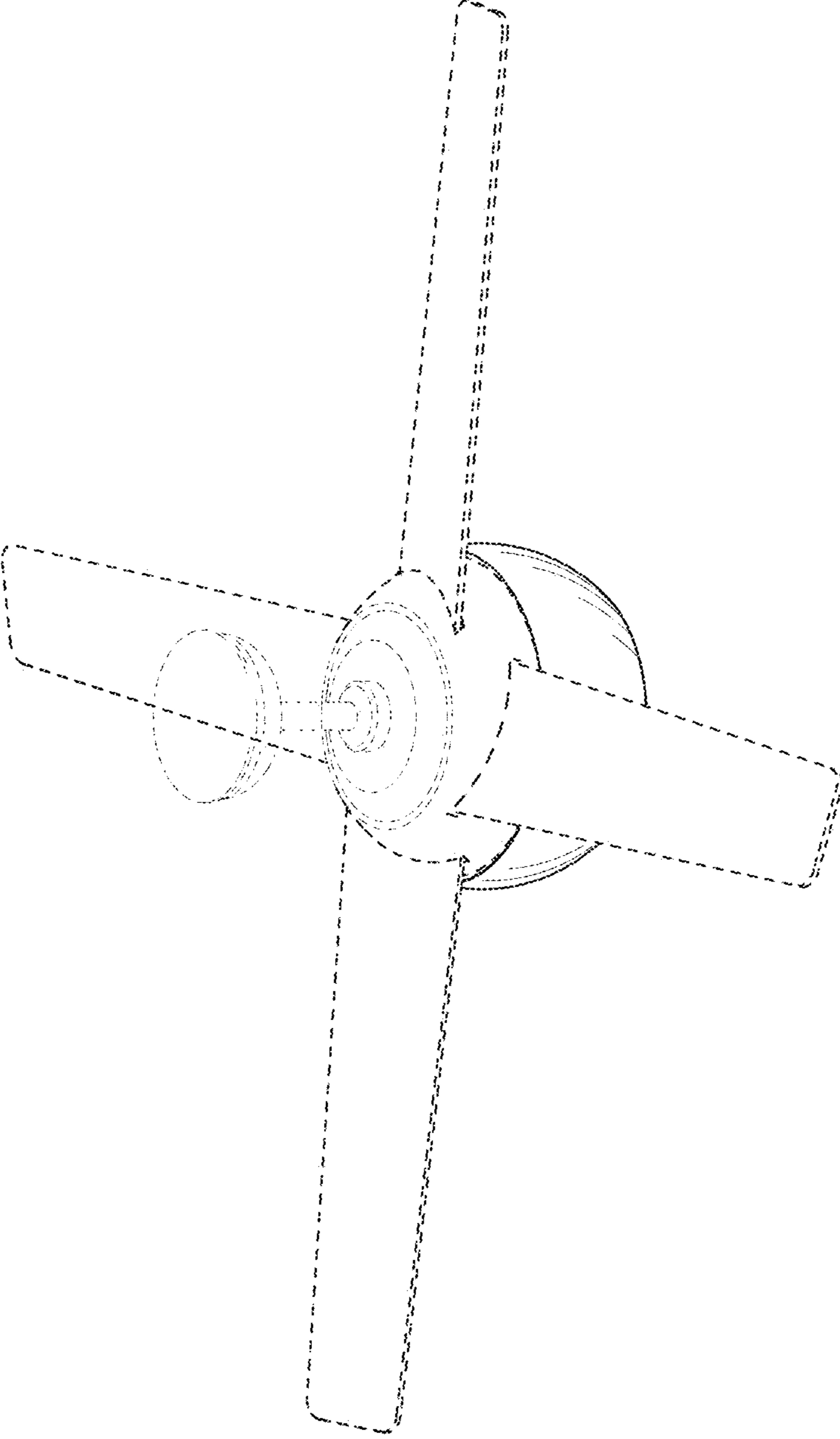


FIG. 1



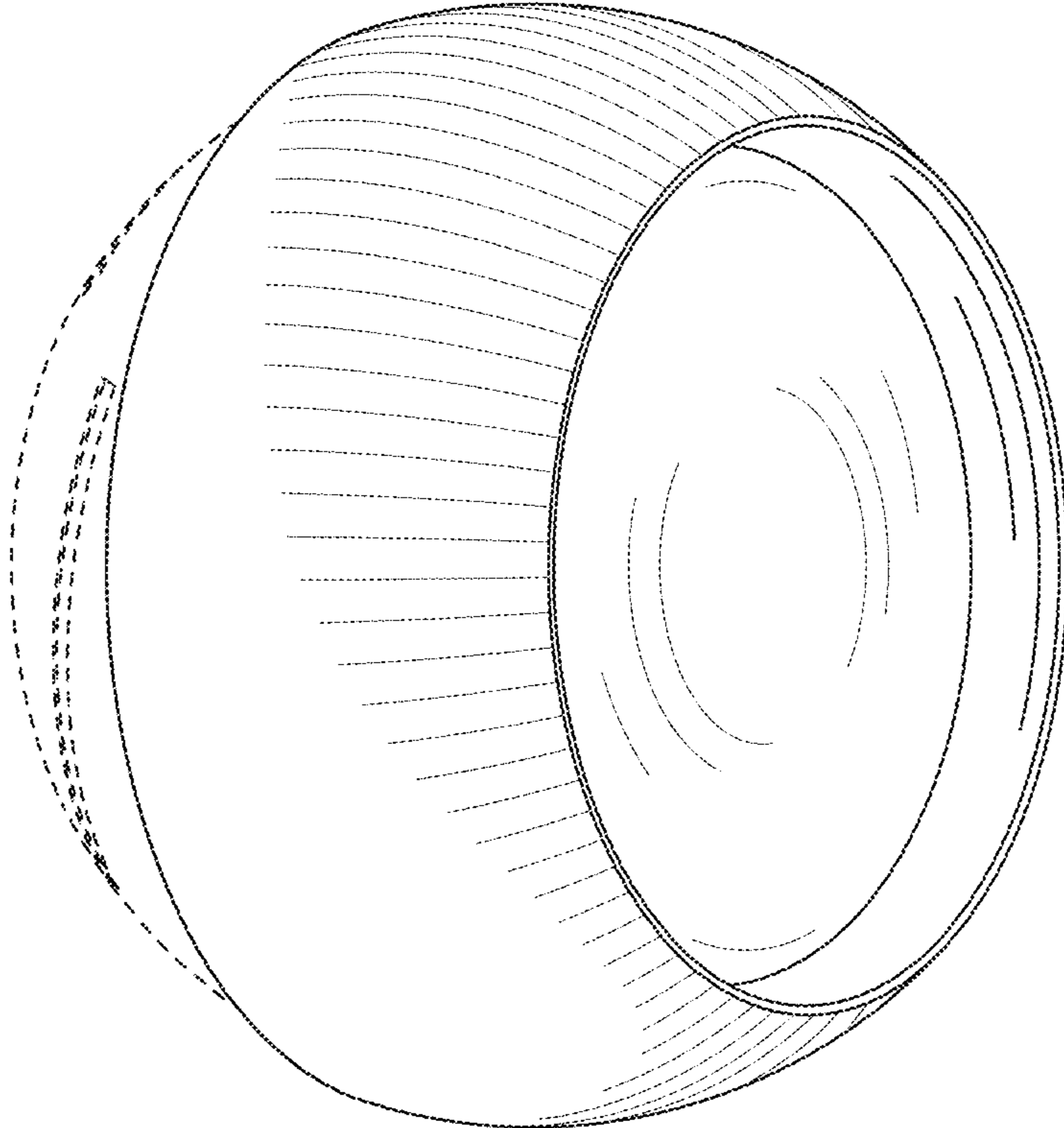


FIG. 2

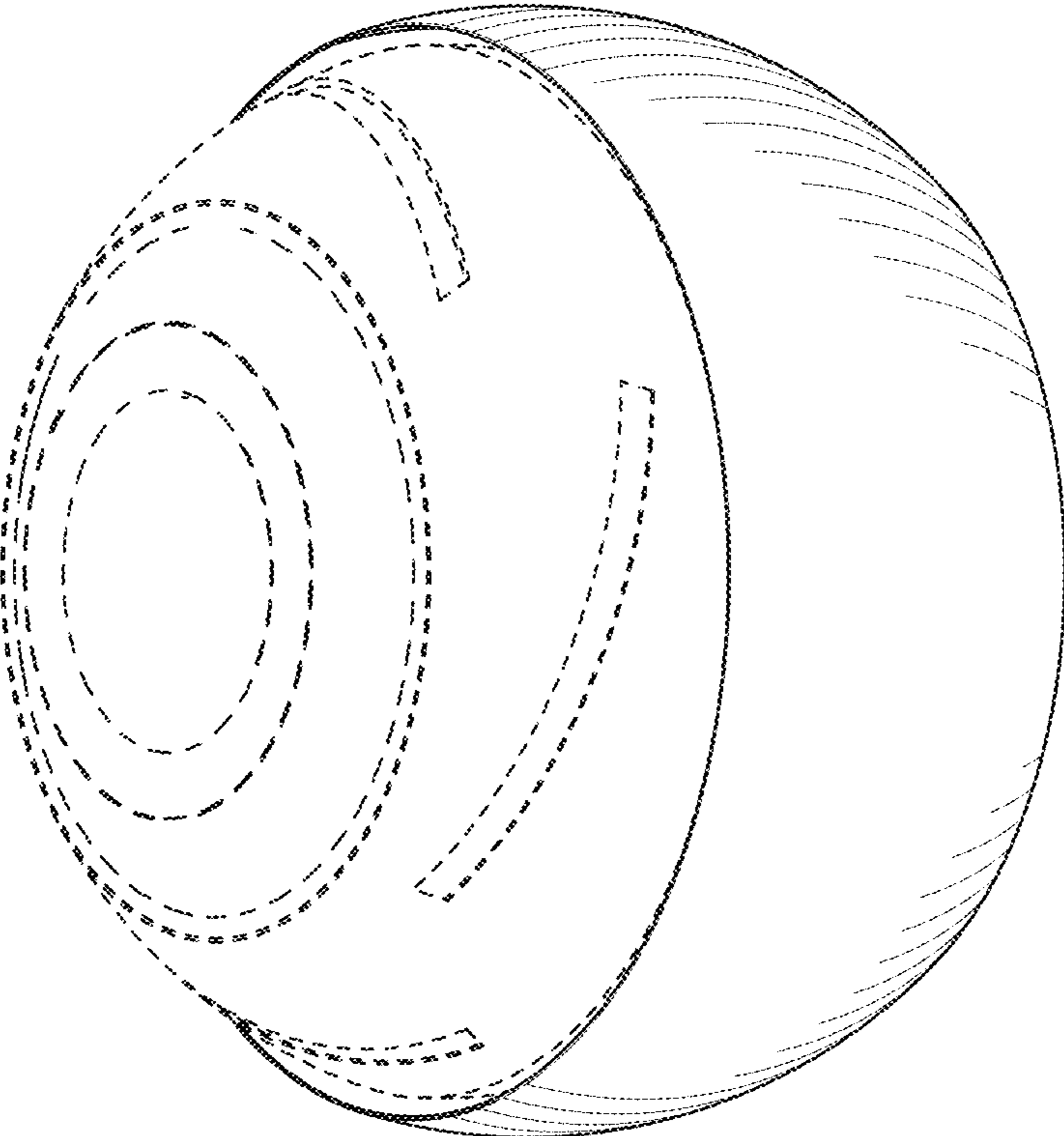


FIG. 3

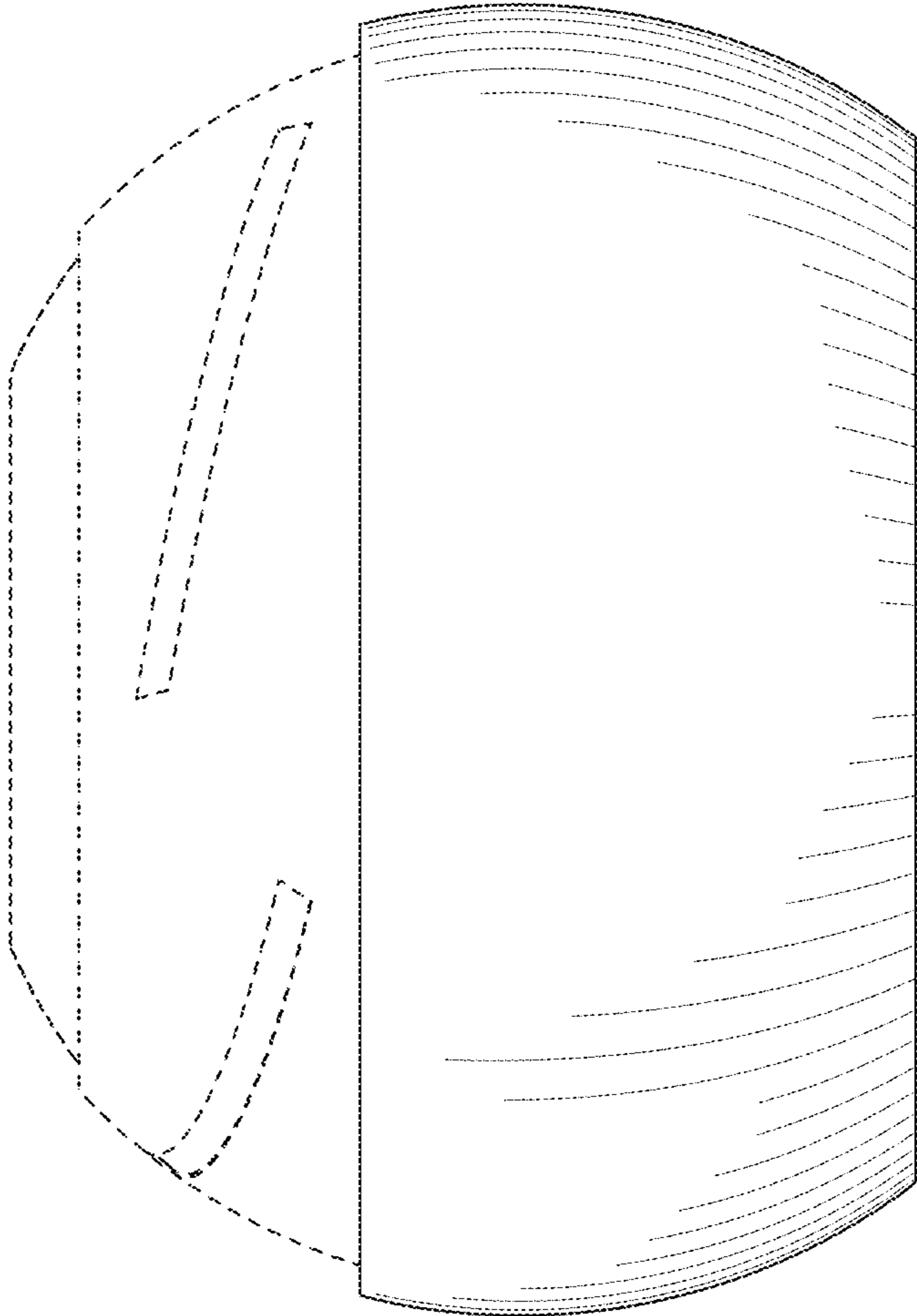


FIG. 4

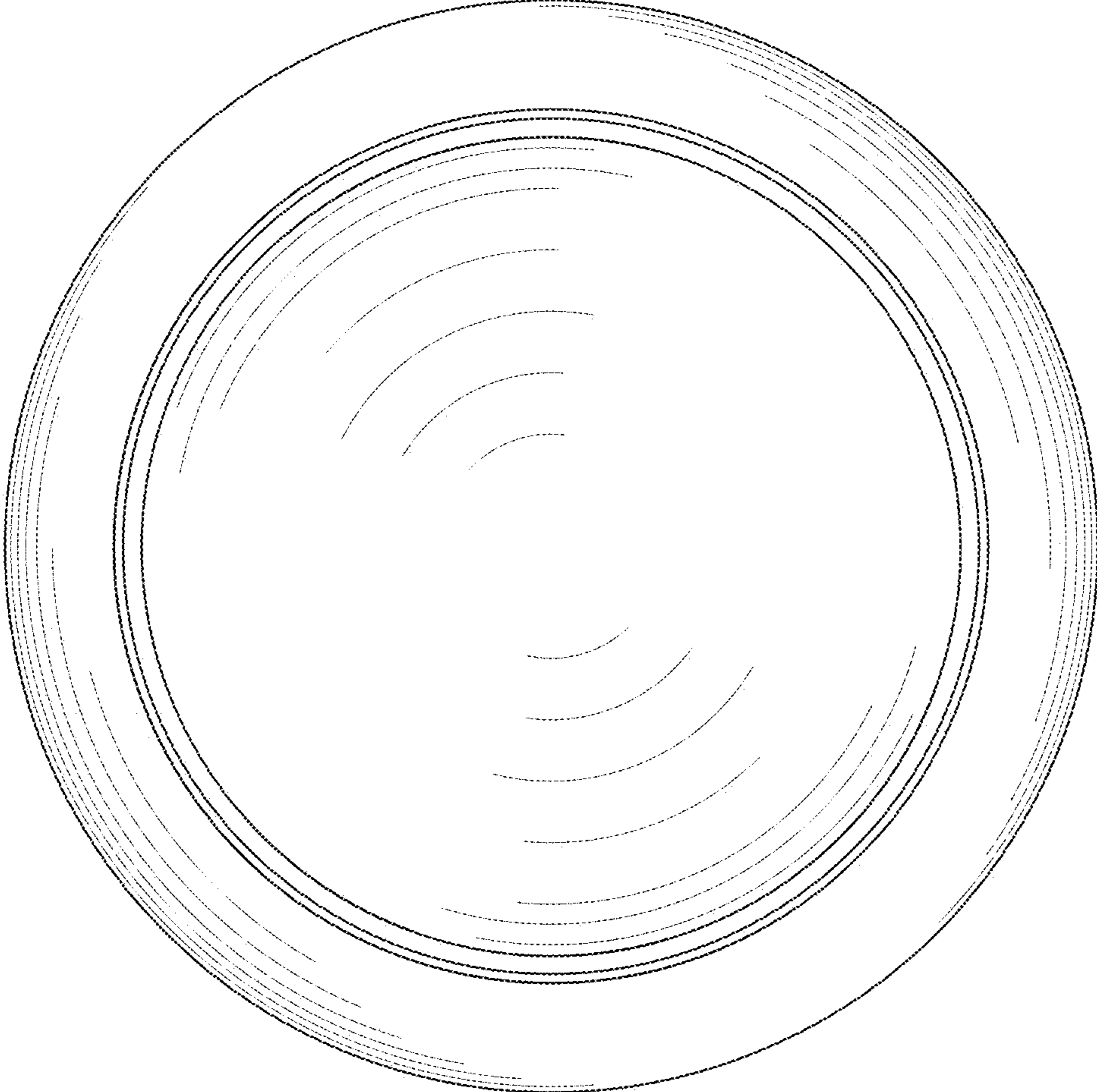


FIG. 5

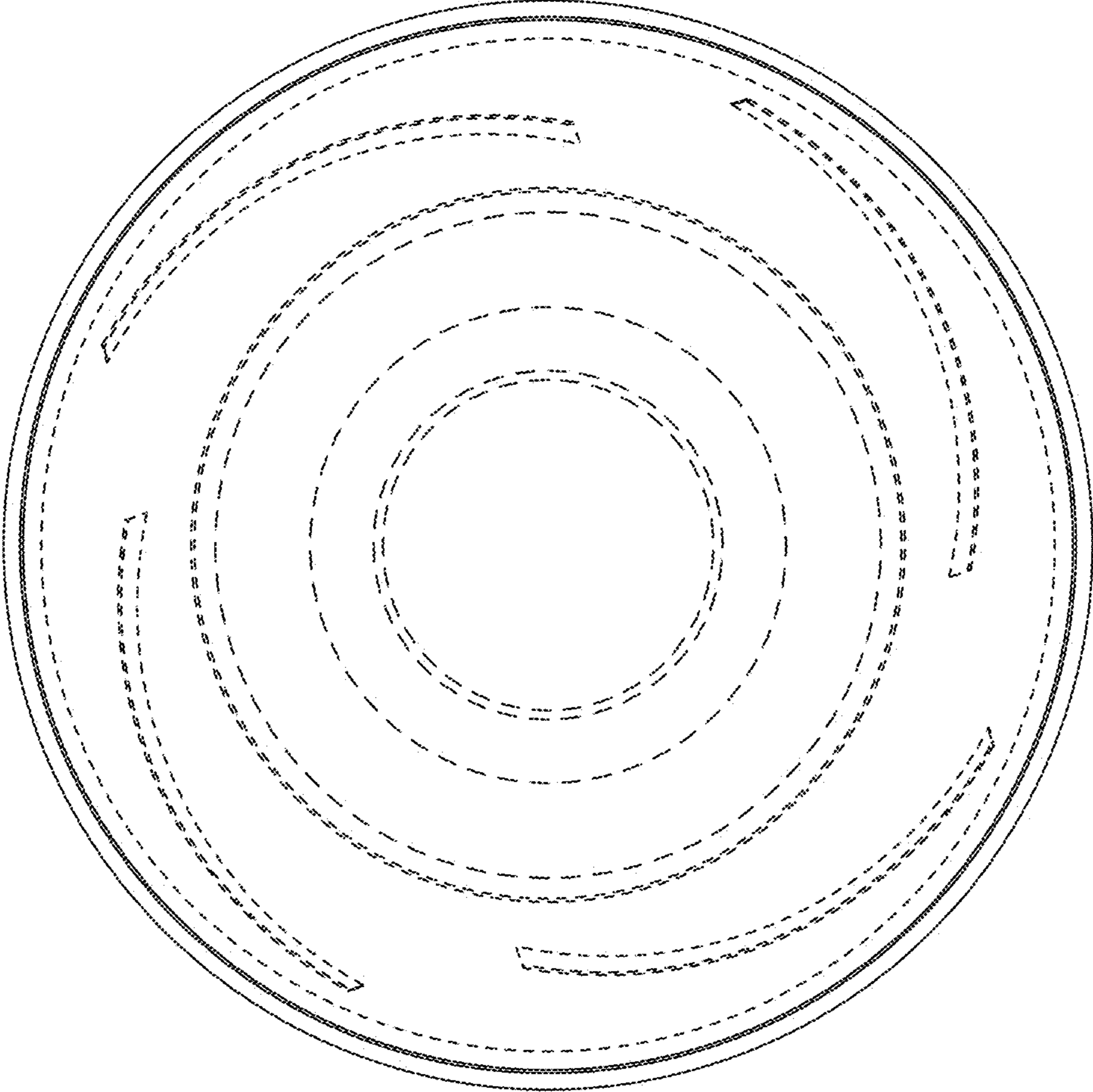


FIG. 6