

US00D979114S

(12) **United States Design Patent** (10) **Patent No.:** **US D979,114 S**  
**McRoberts** (45) **Date of Patent:** **\*\* Feb. 21, 2023**

(54) **CEILING FAN LIGHT CAGE**  
(71) Applicant: **HUNTER FAN COMPANY,**  
Memphis, TN (US)  
(72) Inventor: **Claire Bernice McRoberts,** Memphis,  
TN (US)  
(73) Assignee: **Hunter Fan Company,** Memphis, TN  
(US)

(\*\*) Term: **15 Years**

(21) Appl. No.: **29/636,636**

(22) Filed: **Feb. 9, 2018**

(51) **LOC (14) Cl.** ..... **26-05**

(52) **U.S. Cl.**  
USPC ..... **D26/59; D23/411**

(58) **Field of Classification Search**  
USPC ..... D23/370–385, 411–414; D26/59, 85, 86,  
D26/89, 90, 119; D3/306; D11/4;  
D6/403, 677, 677.2, 677.5, 692.4, 692.5;  
D7/605, 620, 622, 633

CPC ..... F04D 25/088; F04D 29/38; F04D 29/384;  
F04D 29/386; F21V 33/0096

See application file for complete search history.

(56) **References Cited**

**U.S. PATENT DOCUMENTS**

D26,106 S \* 9/1896 Douglass ..... D6/403  
D214,186 S \* 5/1969 Meltzer ..... D26/85  
D302,478 S \* 7/1989 Bohler ..... D26/81  
D428,982 S 8/2000 Oldenburg  
D430,930 S \* 9/2000 Zuege ..... D23/377  
D464,722 S 10/2002 Sonneman  
D477,683 S \* 7/2003 Cheong ..... D26/67  
D528,198 S \* 9/2006 Dye ..... D23/411  
D539,894 S 4/2007 Bucher  
D541,408 S \* 4/2007 Pickett ..... D23/411  
D546,727 S \* 7/2007 Hardy ..... D11/38

D556,887 S \* 12/2007 Curtin ..... D23/411  
D568,982 S \* 5/2008 Hidalgo ..... D23/411  
D578,243 S \* 10/2008 Salatto-Rose ..... D26/89  
D603,954 S \* 11/2009 Curtin ..... D23/411  
D640,407 S \* 6/2011 Chen ..... D26/67  
D652,339 S \* 1/2012 Zander ..... D11/4  
D667,161 S \* 9/2012 Chen ..... D26/87  
D704,822 S 5/2014 Wang  
D710,489 S \* 8/2014 Shurtleff ..... D23/377  
D710,490 S \* 8/2014 Shurtleff ..... D23/411  
D710,790 S 8/2014 Shurtleff  
D755,438 S \* 5/2016 Kimmet ..... D26/118  
D804,635 S \* 12/2017 Holmes ..... D23/377

(Continued)

**OTHER PUBLICATIONS**

Homenovo Lighting Matte Black Semi-Flush Mount Ceiling Light,  
3-Light, date first available Apr. 28, 2018, site visited Sep. 15, 2019,  
Available from Internet, www.amazon.com.\*

(Continued)

*Primary Examiner* — Sharon S Oum

(74) *Attorney, Agent, or Firm* — McGarry Bair PC

(57) **CLAIM**

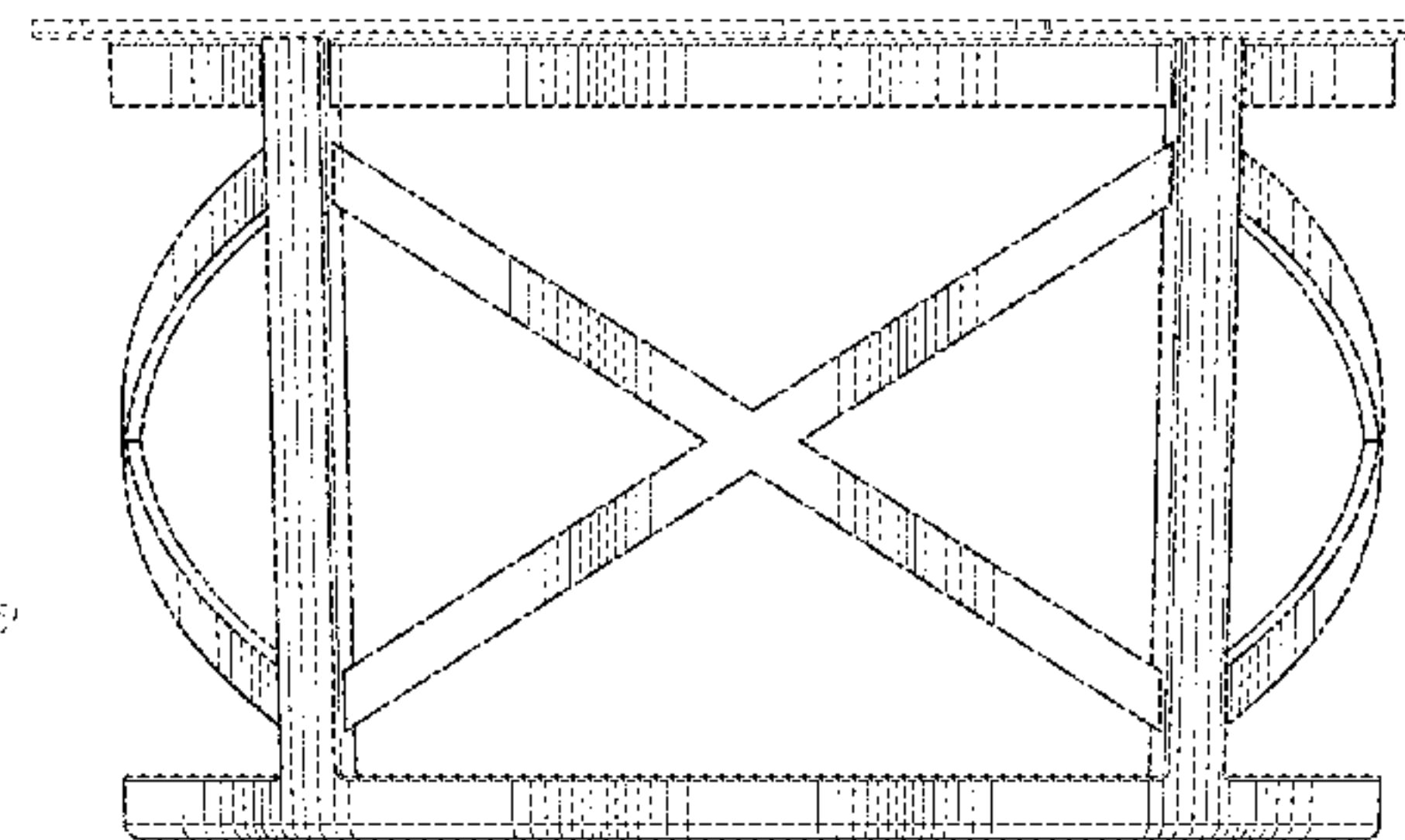
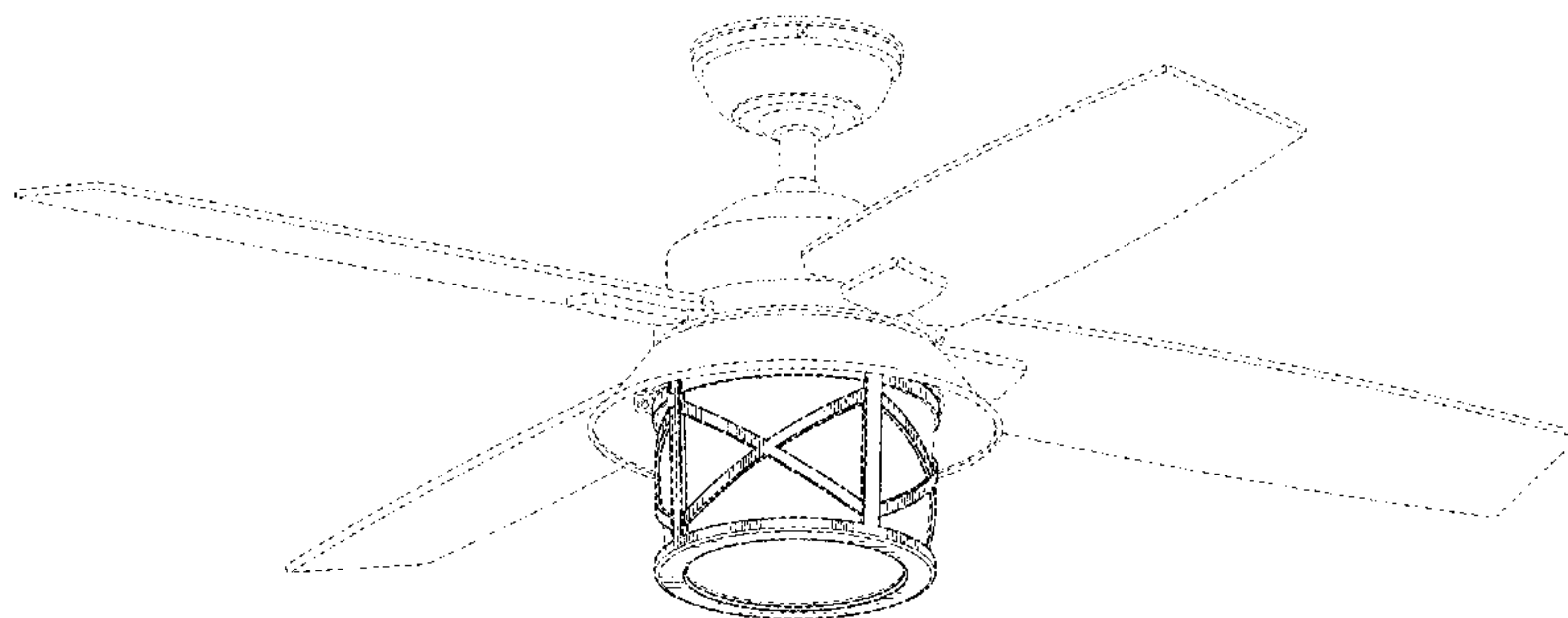
The ornamental design for a ceiling fan light cage, as shown  
and described.

**DESCRIPTION**

FIG. 1 is a bottom perspective view of a light cage in the  
environment of a ceiling fan, showing my new design;  
FIG. 2 is a top perspective view of the light cage of FIG. 1;  
FIG. 3 is a top view of the light cage of FIG. 1;  
FIG. 4 is a bottom view of the light cage of FIG. 1; and,  
FIG. 5 is a side view of the light cage of FIG. 1.

The dash-dash broken lines illustrate portions of the ceiling  
fan light cage and the ceiling fan environment. The dash-dot  
broken lines illustrate boundary lines. None of the broken  
lines form part of the claimed design.

**1 Claim, 5 Drawing Sheets**



(56)

**References Cited**

U.S. PATENT DOCUMENTS

D804,638	S	*	12/2017	Guthrie	.....	D23/377
D808,002	S	*	1/2018	Holmes	.....	D23/377
D814,011	S	*	3/2018	McRoberts	.....	D23/377
D814,092	S	*	3/2018	Chen	.....	D26/67
D819,035	S	*	5/2018	Yang	.....	D23/411
D834,172	S	*	11/2018	Guthrie	.....	D23/411
D856,572	S	*	8/2019	Haggar	.....	D26/119
D859,628	S	*	9/2019	Yang	.....	D23/377
D861,218	S	*	9/2019	Yang	.....	D26/59
2013/0201695	A1	*	8/2013	Lewis	.....	F21V 1/02 362/353

OTHER PUBLICATIONS

<https://www.lowes.com/pd/Hunter-Allegheny-52-in-New-Bronze-Flush-Mount-Indoor-Outdoor-Ceiling-Fan-with-Light-Kit/3819969>, Hunter Allegheny 52-in. New Bronze Flush Mouny Indoor/Outdoor Ceiling Fan with Light Kit, accessed Apr. 6, 2018.

<http://www.homedepot.com/p/Hampton-Bay-Glacier-Bay-52-in-Indoor-Outdoor-Rustic-Copper-Ceiling-Fan-14938/202790702>, Hampton Bay Glacier Bay 52 in. Indoor/Outdoor Rustic Copper Ceiling Fan, Model No. 14938, accessed Sep. 20, 2017.

<http://www.kichler.com/products/product/maor-patio-65-ceiling-fan-distressed-black-dbk-310136dbk.aspx>, Kichler Msor Patio Collection, 65" Ceiling Fan—Distressed Black, Model No. 310136DBK, accessed Sep. 20, 2017.

[http://www.hunterfan.com/Ceiling-Fans/Coral-Gables-\(2\)?ModelNumber=59280](http://www.hunterfan.com/Ceiling-Fans/Coral-Gables-(2)?ModelNumber=59280), Hunter Fan Coral Gables 54" Ceiling Fan, Model No. 59280, accessed Sep. 20, 2017.

<http://www.minkagroup.net/products/f580-vrbb>, Minka Shangri-La 52" 5 Blades in Vintage Rust Finish w/ BambooAll Weather Blades, Integrated LightKit, Model No. F580-VR-BB, accessed Sep. 20, 2017.

<http://www.kingoffans.com/#/products>, King of Fans North in Natural Iron Finish, ABS/Bleached Elm with Frosted White Glass, Model No. 51546, accessed Sep. 20, 2017.

<https://www.craftmade.com/courtyard-cyd56ob4>, Craftmade Courtyard 56" Ceiling Fan in Oiled Bronze with Clear Glass, Model No. CYD56OB4, accessed Sep. 20, 2017.

\* cited by examiner

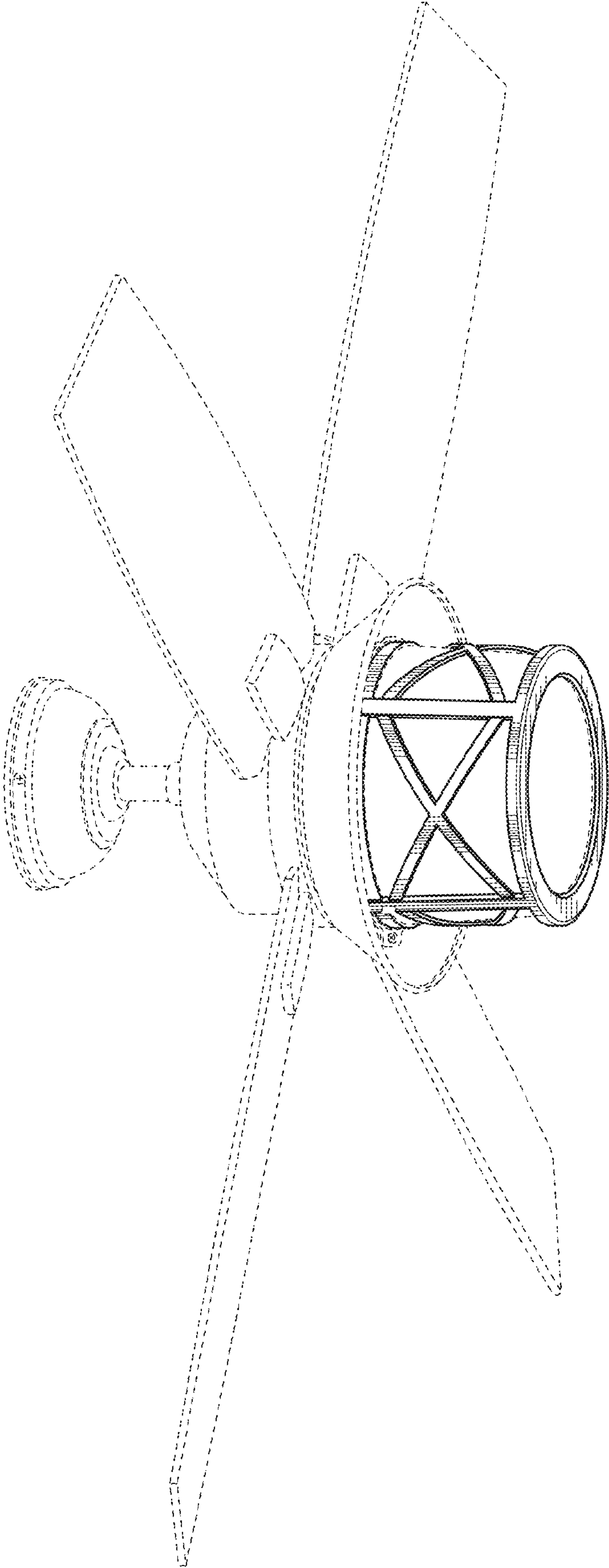


FIG. 1



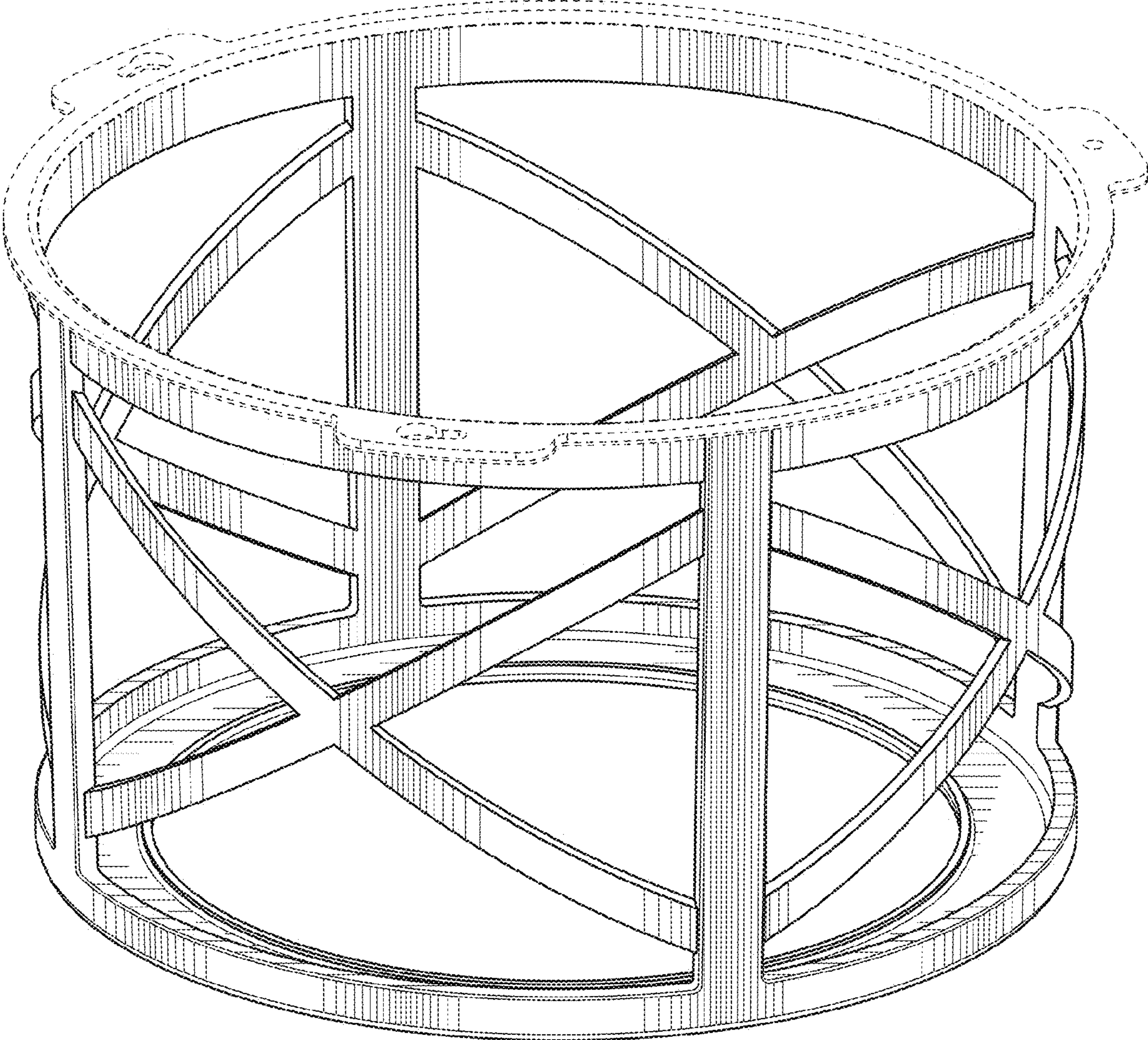


FIG. 2

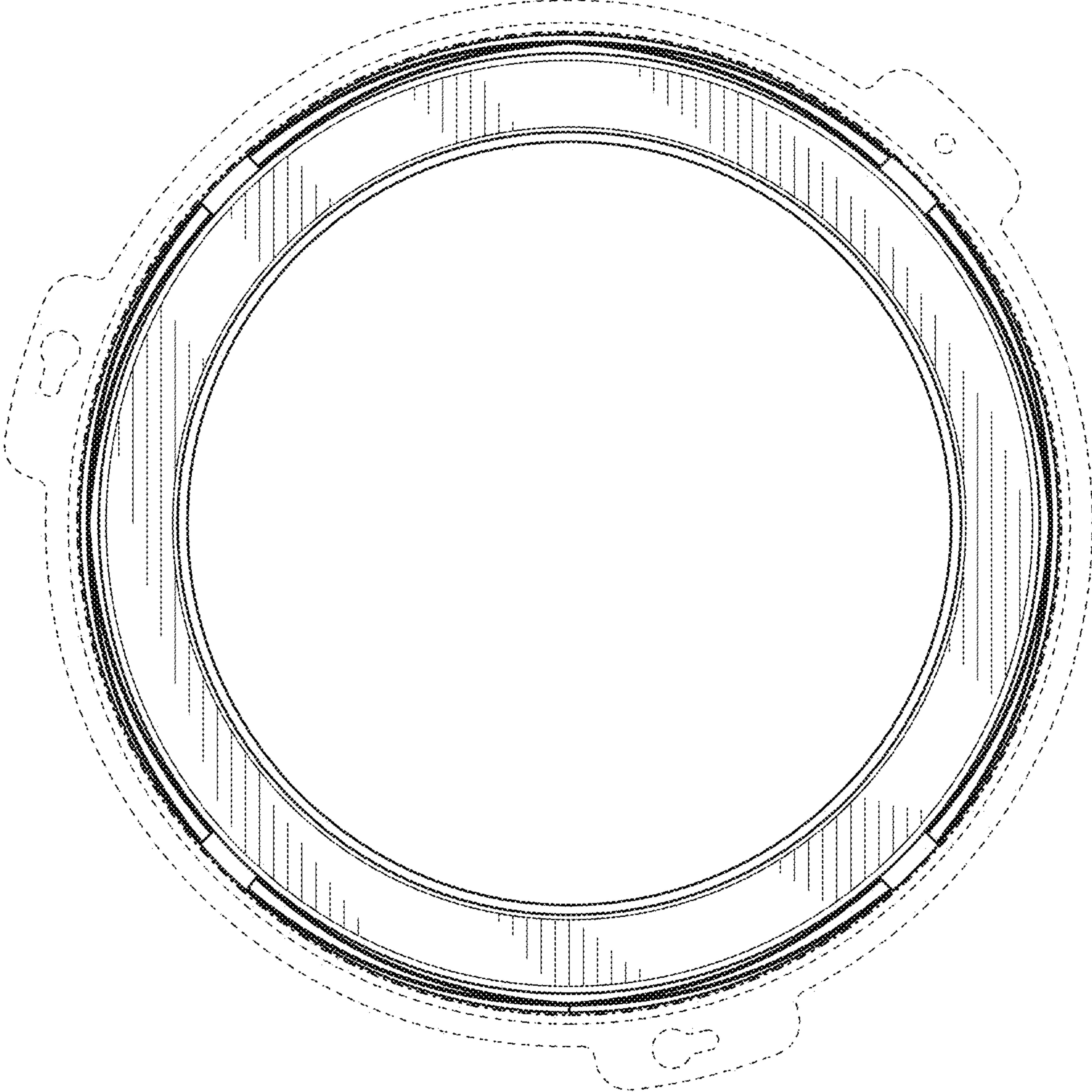


FIG. 3



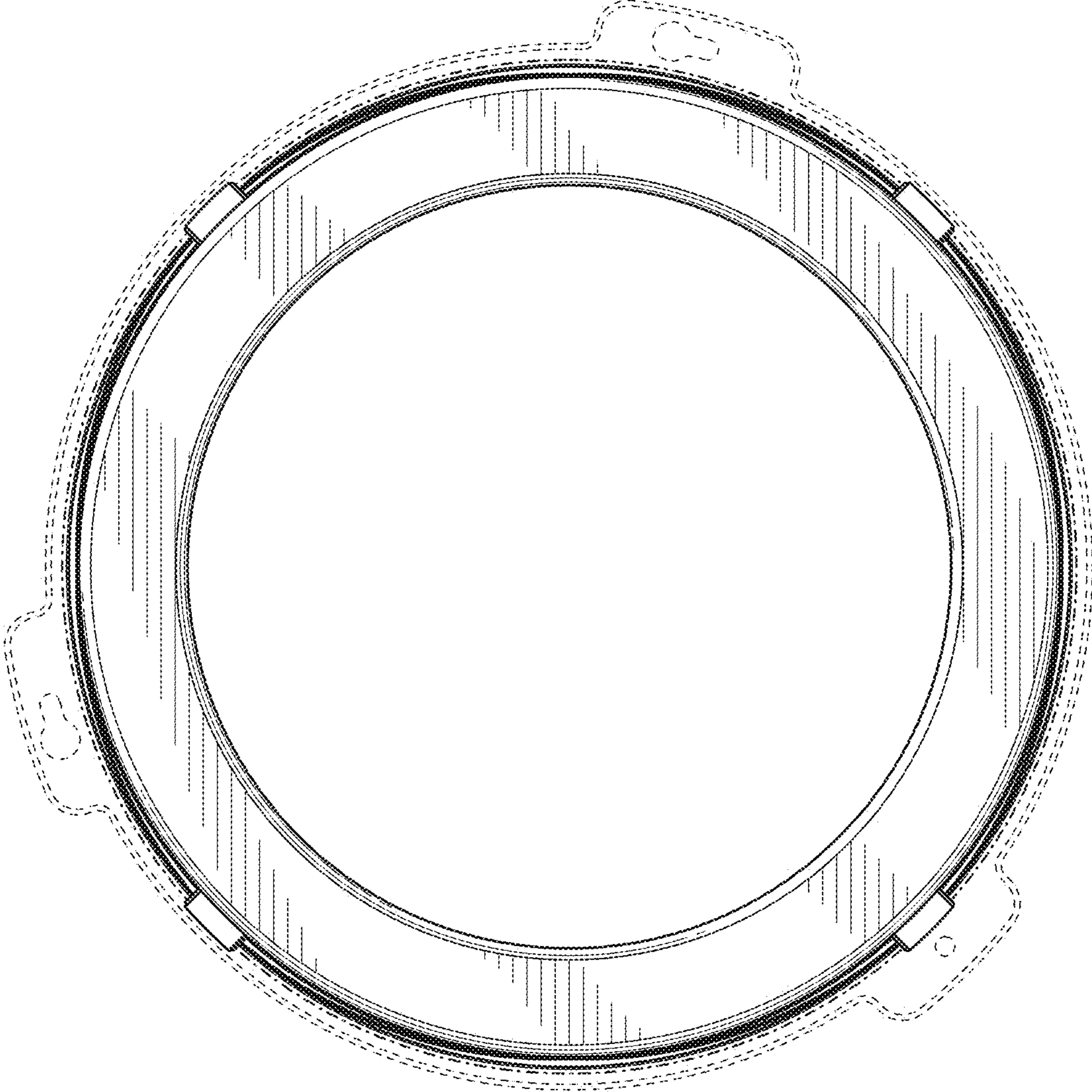


FIG. 4

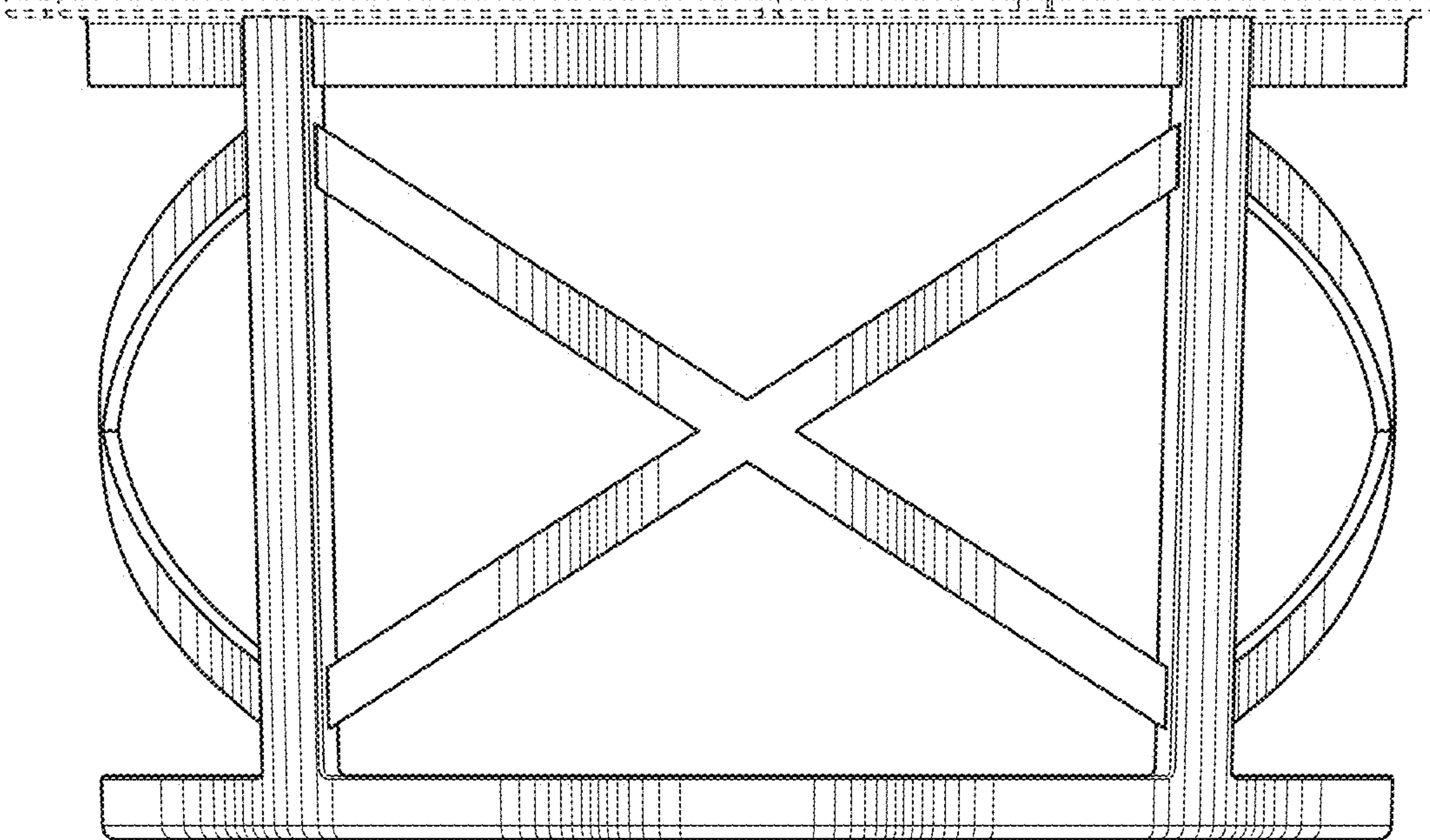


FIG. 5