



US00D979113S

(12) **United States Design Patent** (10) **Patent No.:** **US D979,113 S**  
**Mei** (45) **Date of Patent:** **\*\* Feb. 21, 2023**

(54) **SPOTLIGHT**  
(71) Applicant: **Jinyong Mei**, Zhejiang (CN)  
(72) Inventor: **Jinyong Mei**, Zhejiang (CN)  
(73) Assignee: **Ningbo Messi Lighting Electric Co., Ltd.**, Zhejiang (CN)  
(\*\*) Term: **15 Years**  
(21) Appl. No.: **29/794,052**  
(22) Filed: **Jun. 10, 2021**  
(51) **LOC (14) Cl.** ..... **26-02**  
(52) **U.S. Cl.**  
USPC ..... **D26/45**  
(58) **Field of Classification Search**  
USPC ..... D26/37, 44, 45, 46, 50, 63; D8/68, 70, D8/75  
CPC . F21L 4/027; F21L 14/00; F21L 14/02; F21L 2001/00; F21W 2131/402; F21W 2111/10; F21Y 2115/10; F21Y 2103/10; F21Y 2101/00; F21Y 2113/13; F21V 21/30  
See application file for complete search history.

D748,310 S \* 1/2016 Inskeep ..... D26/45  
D754,381 S \* 4/2016 Inskeep ..... D26/45  
D797,334 S \* 9/2017 Inskeep ..... D26/45  
D897,017 S \* 9/2020 Inskeep ..... D26/45  
D923,840 S \* 6/2021 Lien ..... D26/45

**OTHER PUBLICATIONS**

B&H Foto | Streamlight Waypoint Rechargeable Pistol-Grip Spotlight, posted on May 23, 2018, © 2000-2022 B & H Foto & Electronics Corp. [online], [site visited Sep. 29, 2022]. Available from Internet, <URL: <https://www.bhphotovideo.com/c/product/1410725-REG/> (See attached NPL Document for full URL address)> (Year: 2018).\*

\* cited by examiner

*Primary Examiner* — Cary M Robinson  
*Assistant Examiner* — Julie Marie Bailey

(57) **CLAIM**

The ornamental design for a spotlight, as shown and described.

**DESCRIPTION**

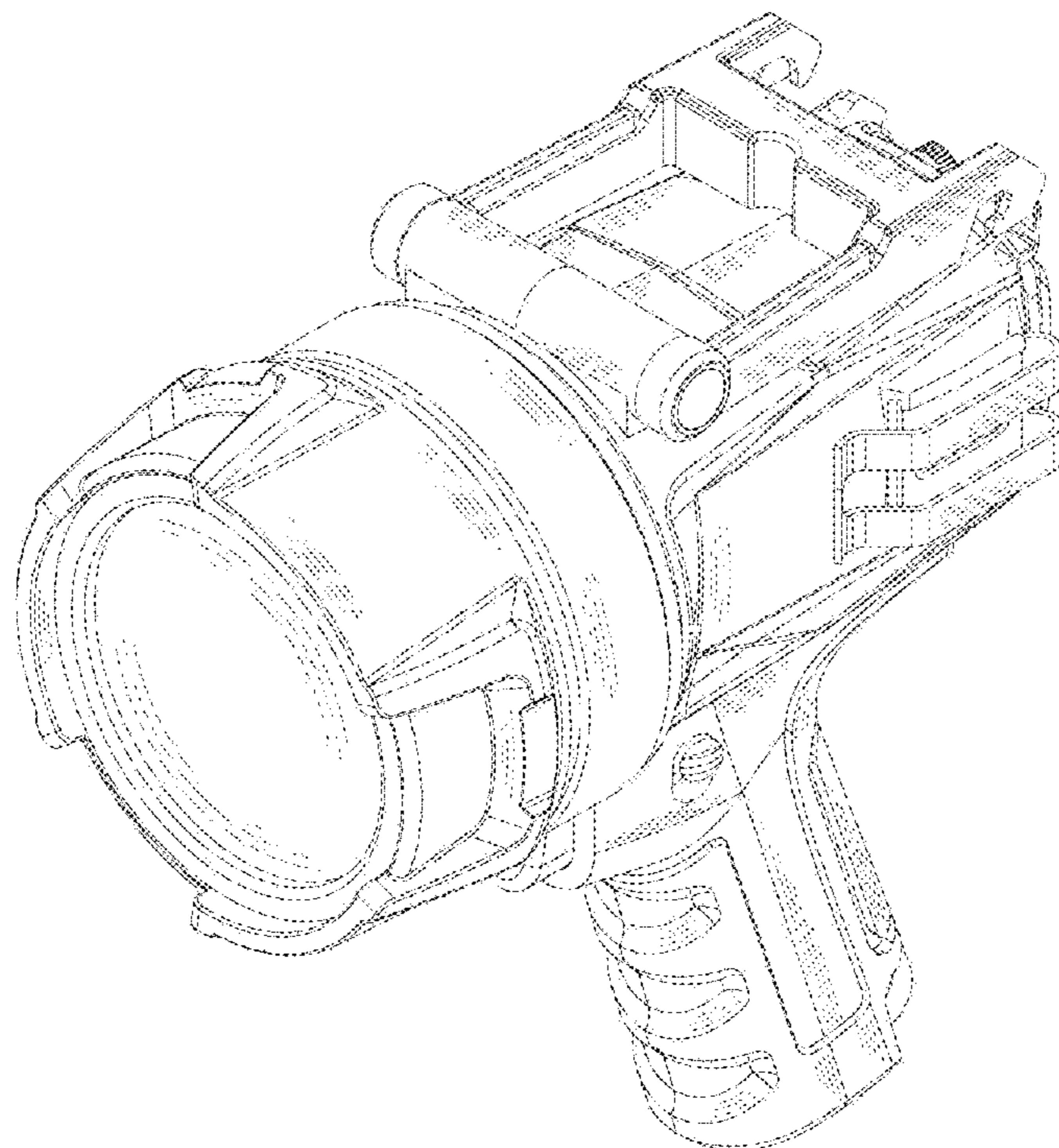
FIG. 1 is a front perspective view of a spotlight showing my new design;  
FIG. 2 is a rear perspective view thereof;  
FIG. 3 is a front elevation view thereof;  
FIG. 4 is a rear elevation view thereof;  
FIG. 5 is a left side elevation view thereof;  
FIG. 6 is a right side elevation view thereof;  
FIG. 7 is a top plan view thereof; and,  
FIG. 8 is a bottom plan view thereof.

**1 Claim, 8 Drawing Sheets**

(56) **References Cited**

**U.S. PATENT DOCUMENTS**

D599,926 S \* 9/2009 Schoch ..... D26/45  
D603,540 S \* 11/2009 Shum ..... D26/45  
D662,240 S \* 6/2012 Inskeep ..... D26/45  
D673,705 S \* 1/2013 Inskeep ..... D26/45  
D673,707 S \* 1/2013 Inskeep ..... D26/45  
D702,383 S \* 4/2014 Inskeep ..... D26/45



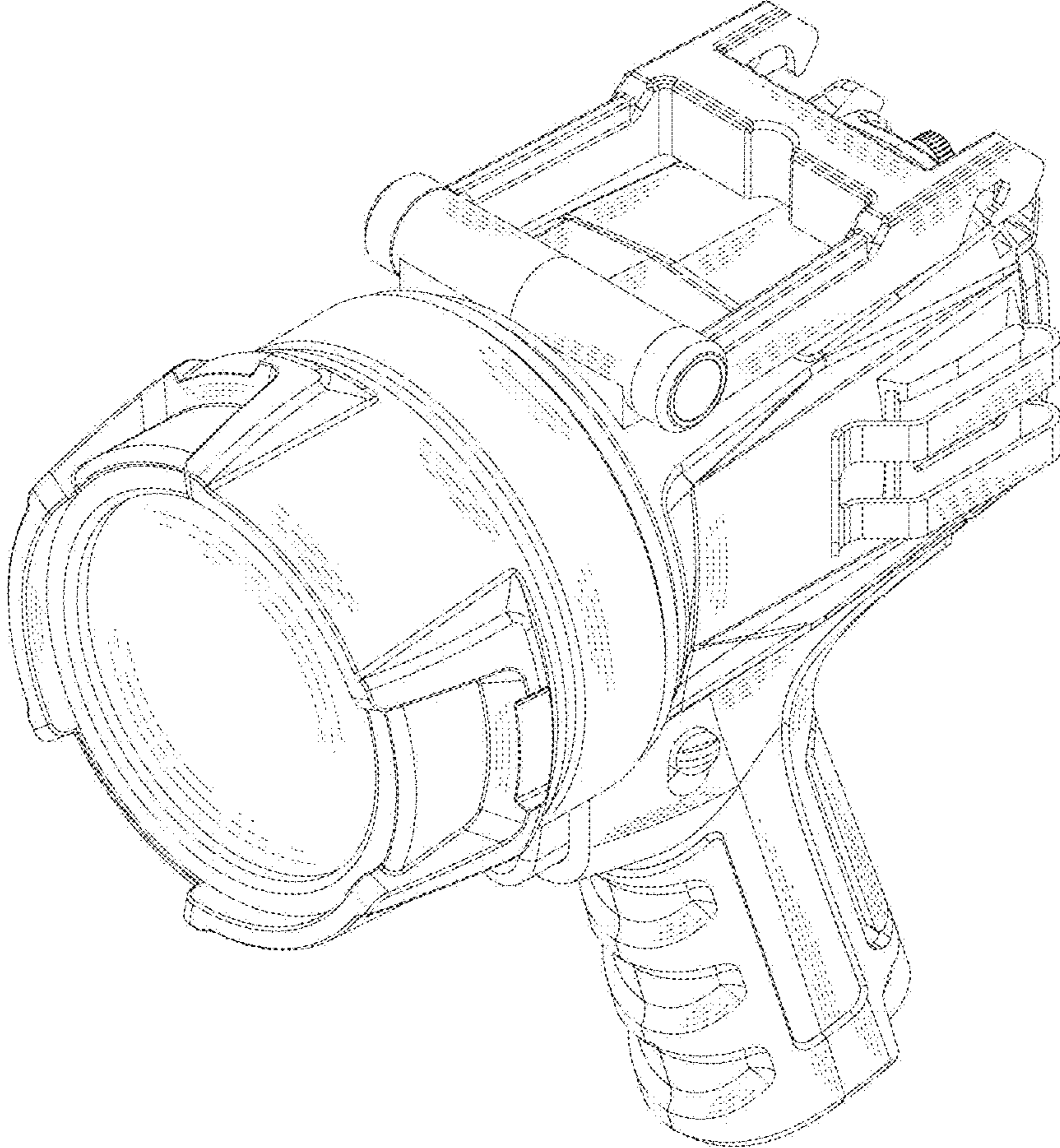


FIG.1

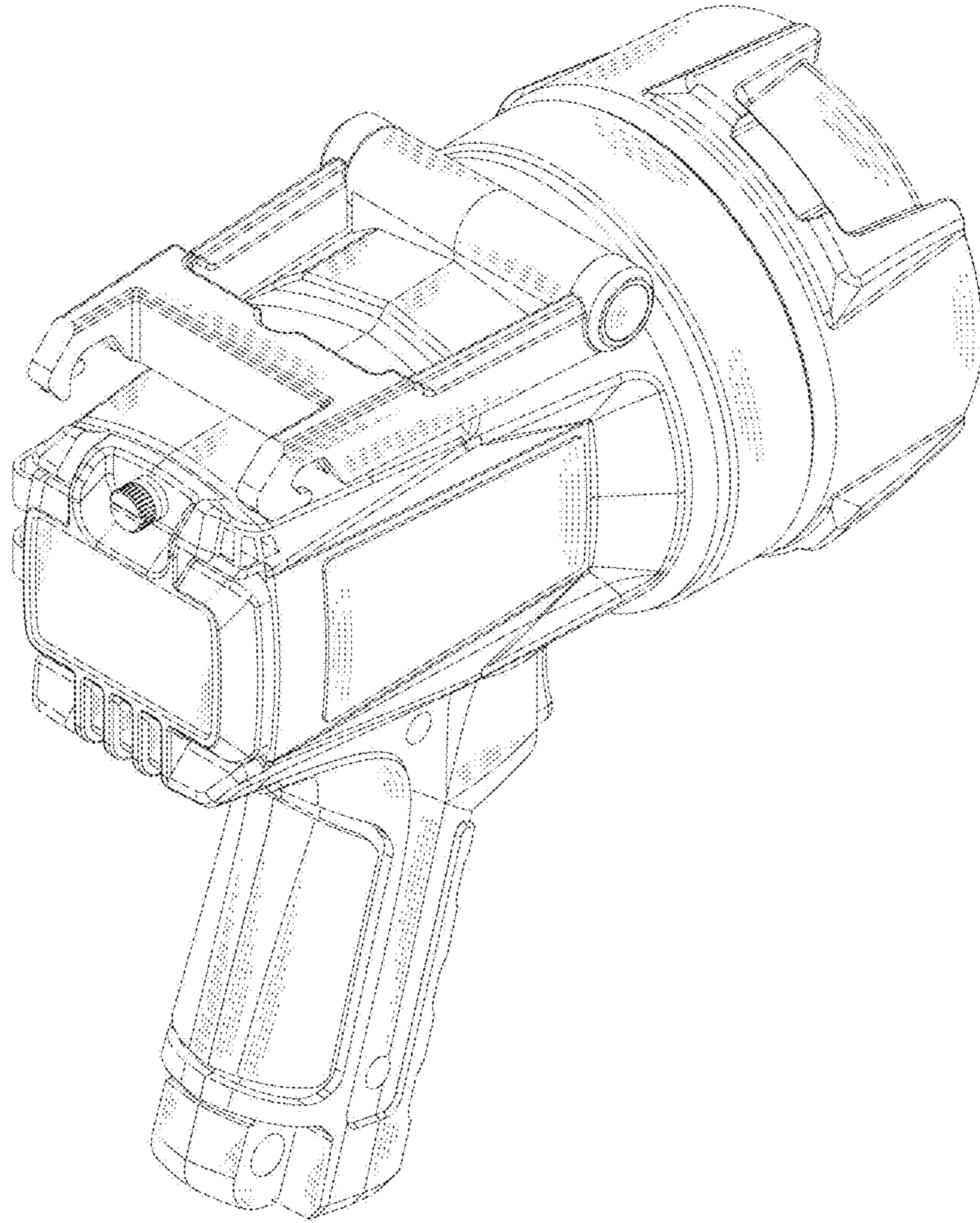


FIG.2

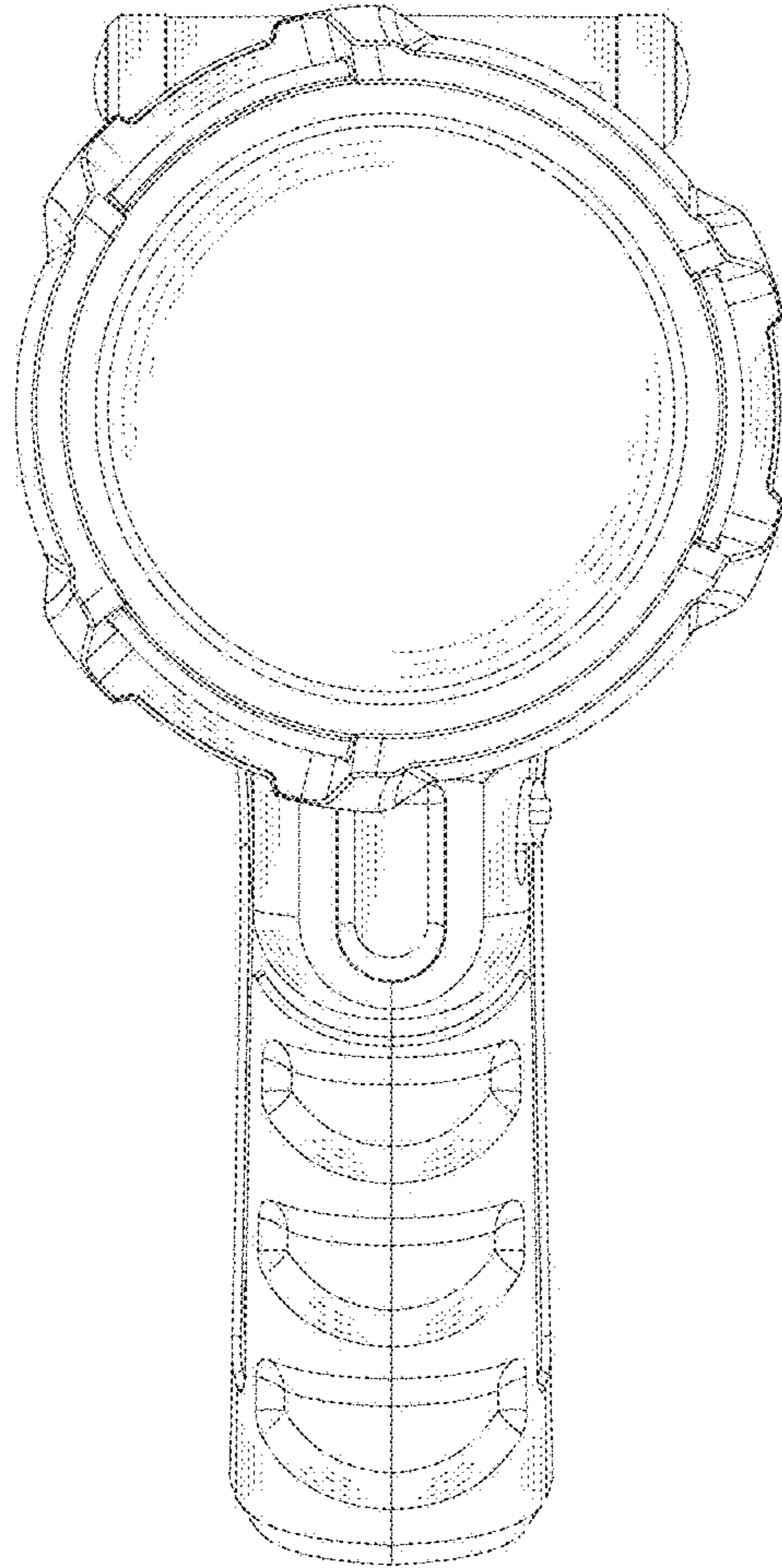


FIG.3

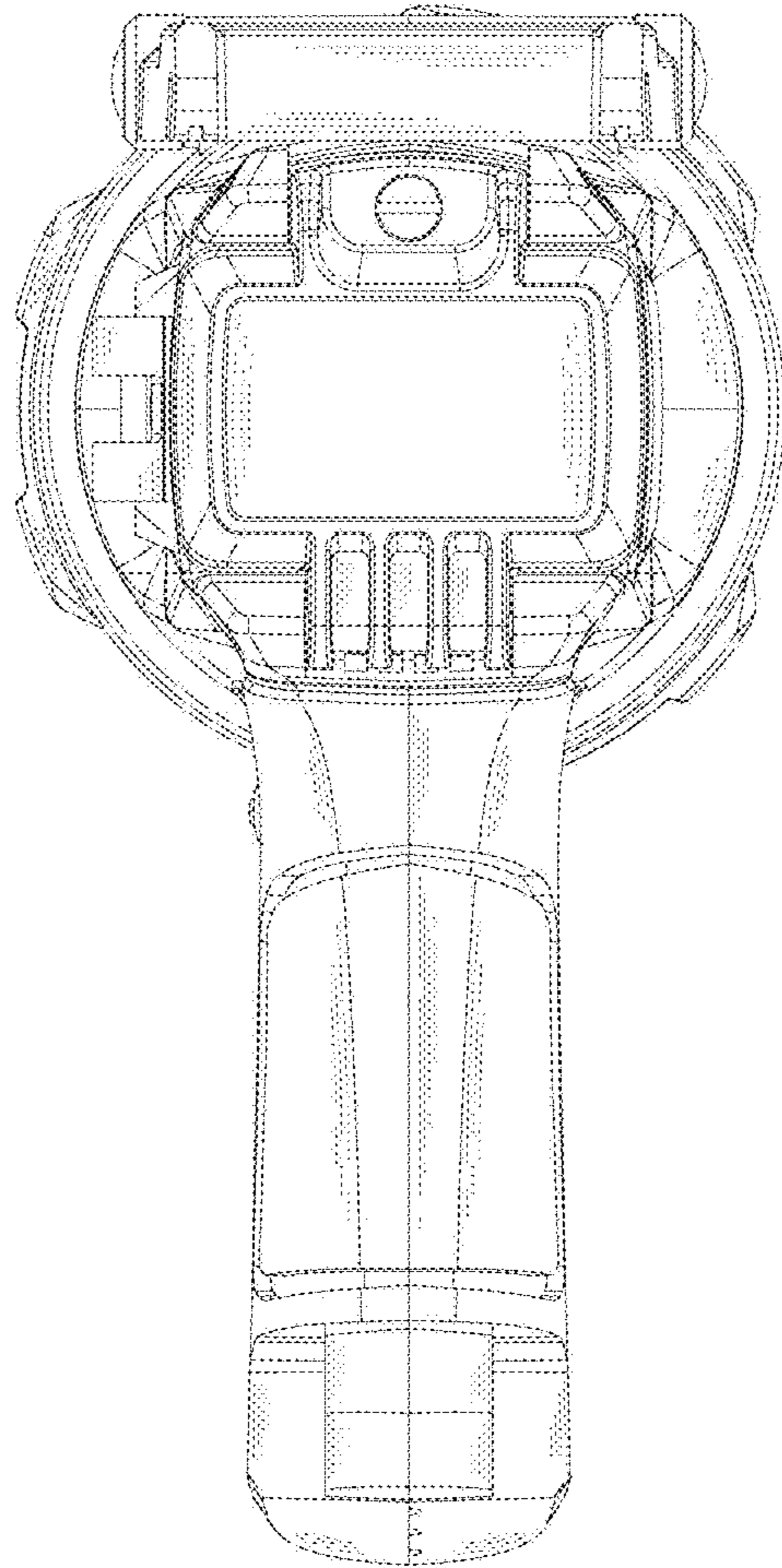


FIG.4

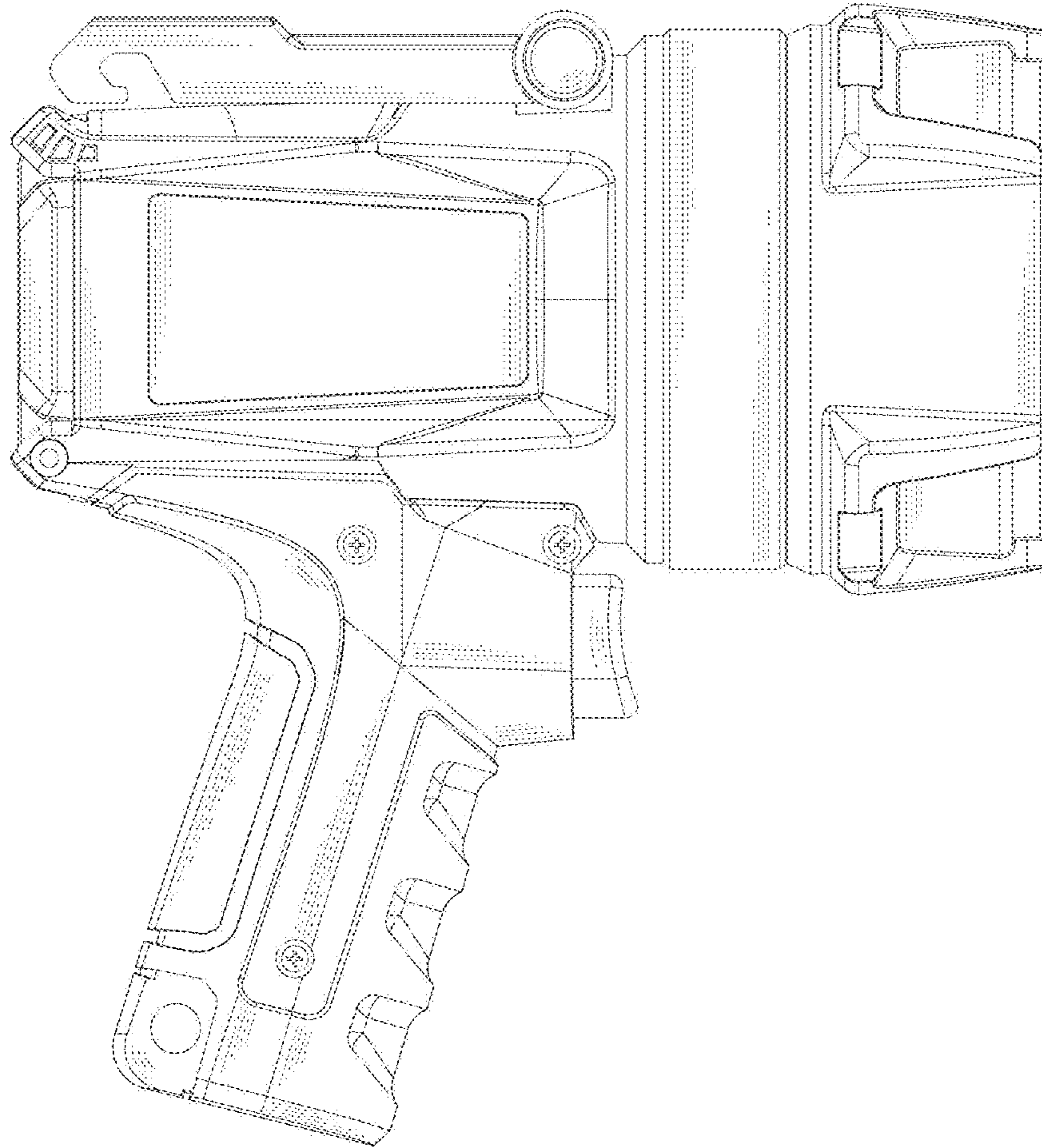


FIG.5

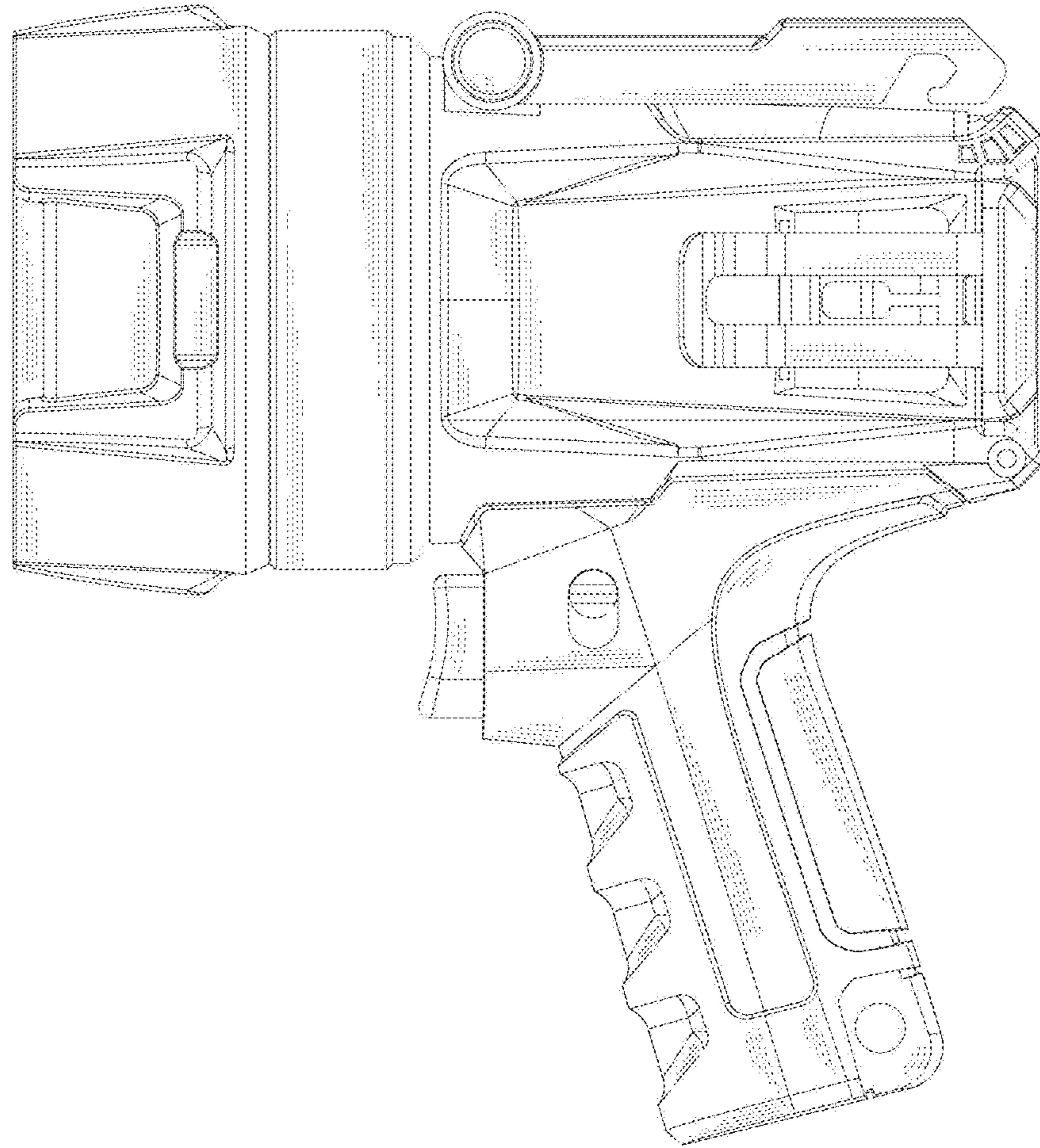


FIG.6

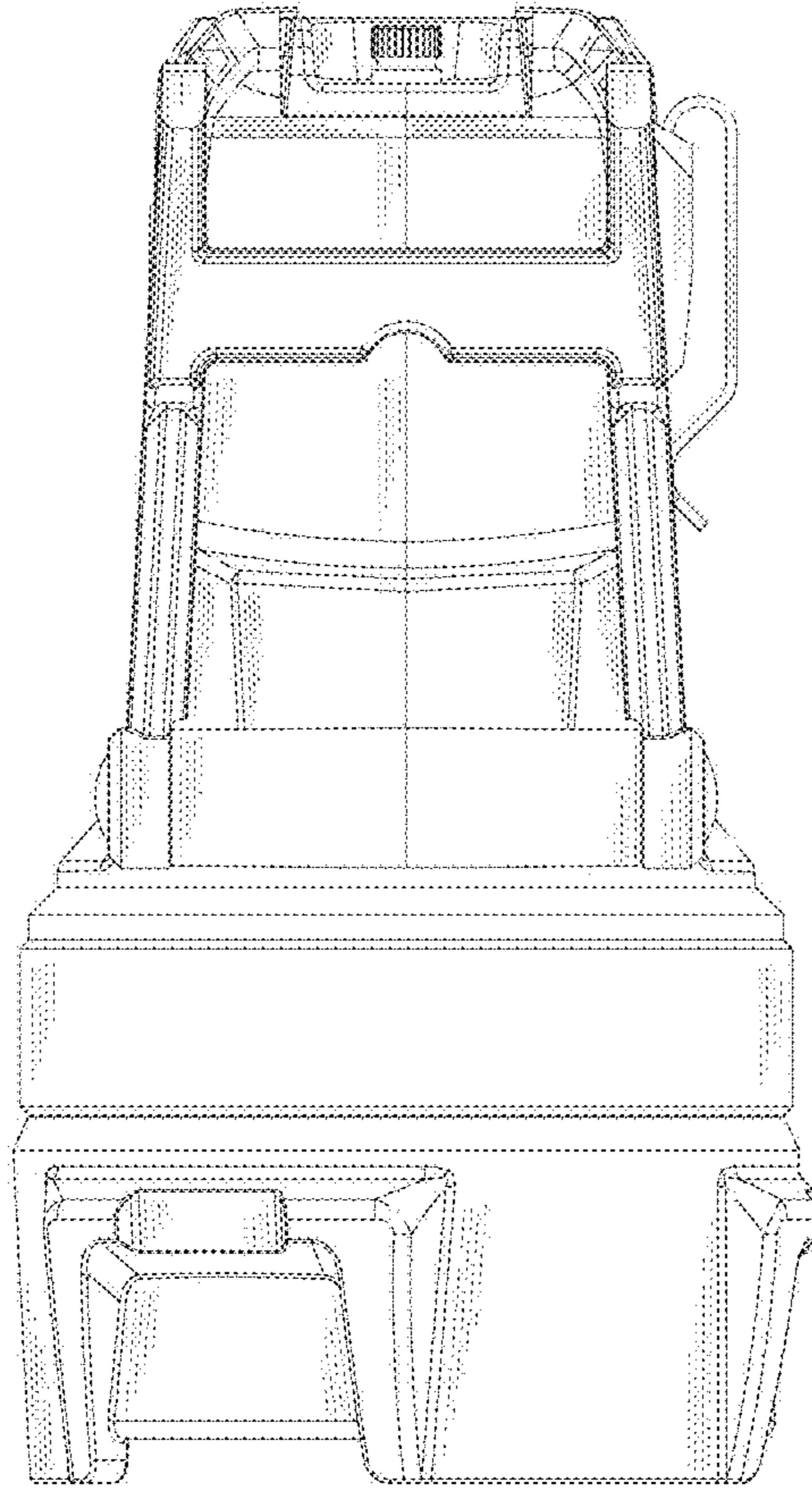


FIG. 7



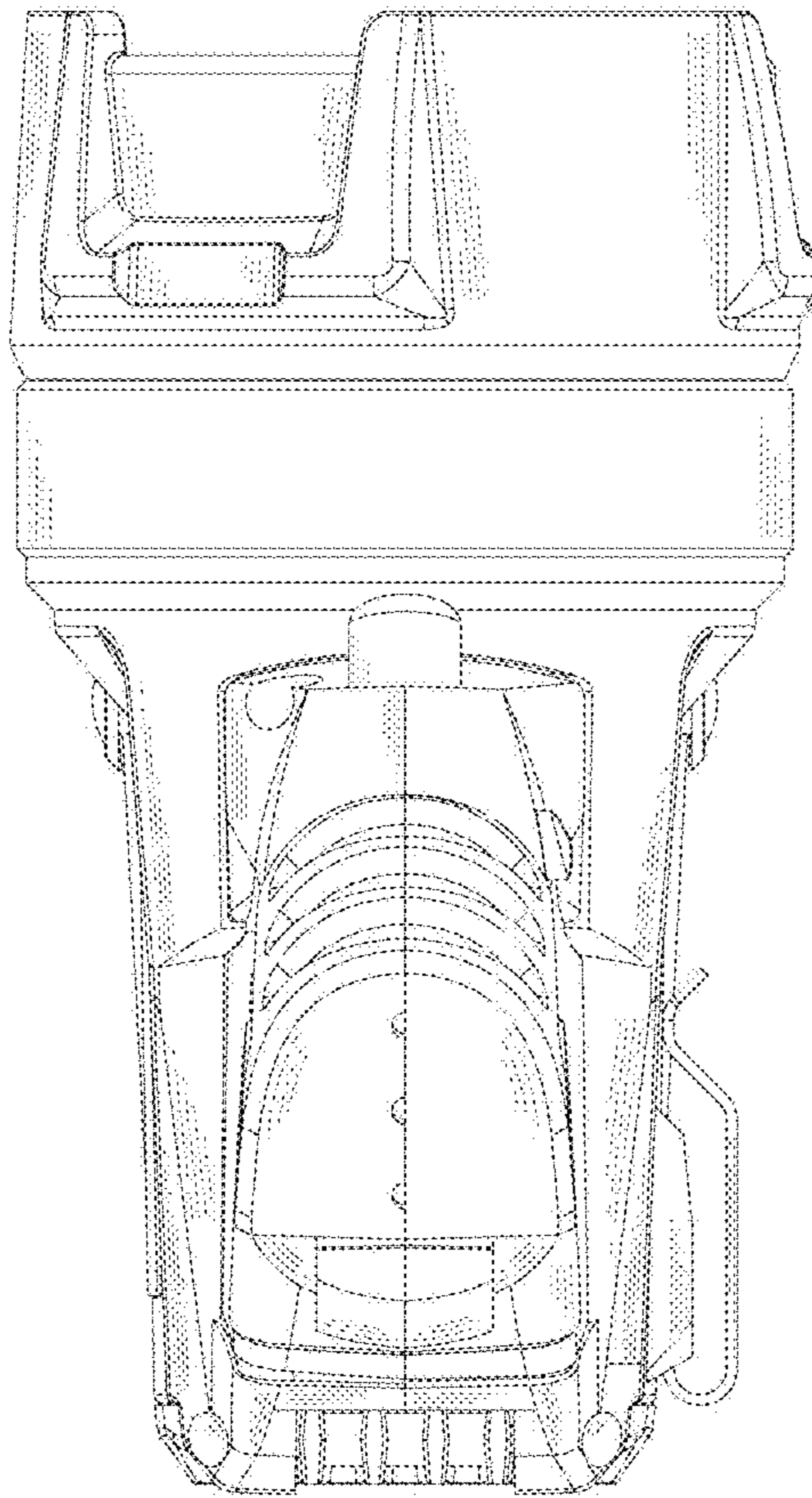


FIG. 8