



US00D979111S

(12) **United States Design Patent** (10) **Patent No.:** **US D979,111 S**  
**Wu** (45) **Date of Patent:** **\*\* Feb. 21, 2023**

(54) **CAMPING LANTERN**

OTHER PUBLICATIONS

(71) Applicant: **Shenzhen Glocusent Technology Co., Ltd.**, Shenzhen (CN)

Amazon | Coleman Divide+ Push 425 Im LED Lantern, Black, posted on Feb. 25, 2016 © 1996-2022, Amazon.com, Inc. [online], site visited Nov. 29, 2022]. Available from Internet, <URL: https://www.amazon.com/Coleman-Divide-Push-425-Lantern/dp/B01C7HFAI0/ref=asc\_df\_B01C7HFAI0> (Year: 2016).\*

(72) Inventor: **Manchuan Wu**, Shenzhen (CN)

(\*\*) Term: **15 Years**

\* cited by examiner

(21) Appl. No.: **29/786,476**

*Primary Examiner* — Cary M Robinson

(22) Filed: **Jun. 1, 2021**

*Assistant Examiner* — Julie Marie Bailey

(51) **LOC (14) Cl.** ..... **26-02**

(74) *Attorney, Agent, or Firm* — Rumit Ranjit Kanakia

(52) **U.S. Cl.**

(57) **CLAIM**

USPC ..... **D26/40**; D26/41

The ornamental design for a camping lantern, as shown and described.

(58) **Field of Classification Search**

**DESCRIPTION**

USPC ..... D26/37, 40, 41, 48, 50, 104

CPC ..... F21L 4/00; F21L 4/027; F21L 4/08; F21L

19/00; F21L 15/02

See application file for complete search history.

FIG. 1 is a front elevational view of a camping lantern showing my new design;

(56) **References Cited**

U.S. PATENT DOCUMENTS

D296,009	S	*	5/1988	Witusik	.....	D26/41
D498,552	S	*	11/2004	Chen	.....	D26/37
D526,730	S	*	8/2006	Galli	.....	D26/37
D544,116	S	*	6/2007	Wai	.....	D26/37
D548,380	S	*	8/2007	Wai	.....	D26/37
D874,044	S	*	1/2020	Peng	.....	D26/41
D882,135	S	*	4/2020	Cheng	.....	D26/37
D894,455	S	*	8/2020	Kunzendorf	.....	D26/41
D915,647	S	*	4/2021	Wu	.....	D26/41
D921,250	S	*	6/2021	Xiao	.....	D26/41
D923,837	S	*	6/2021	Ye	.....	D26/40

FIG. 2 is a rear elevational view thereof;

FIG. 3 is a left side view thereof;

FIG. 4 is a right side view thereof;

FIG. 5 is a top plan view thereof;

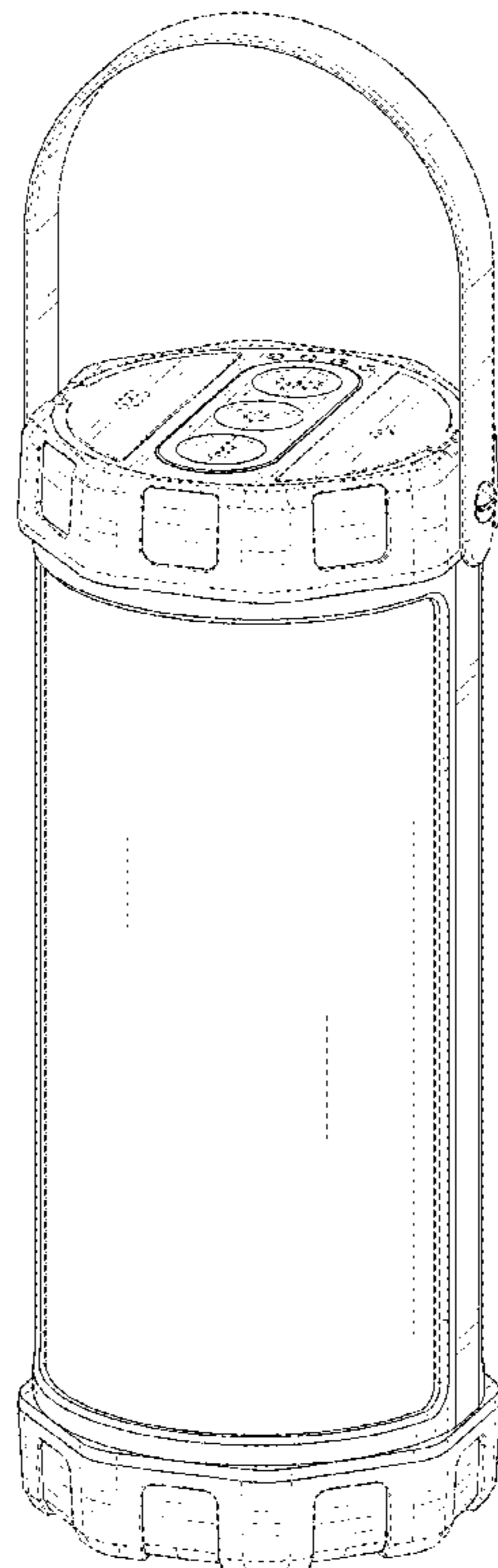
FIG. 6 is a bottom plan view thereof;

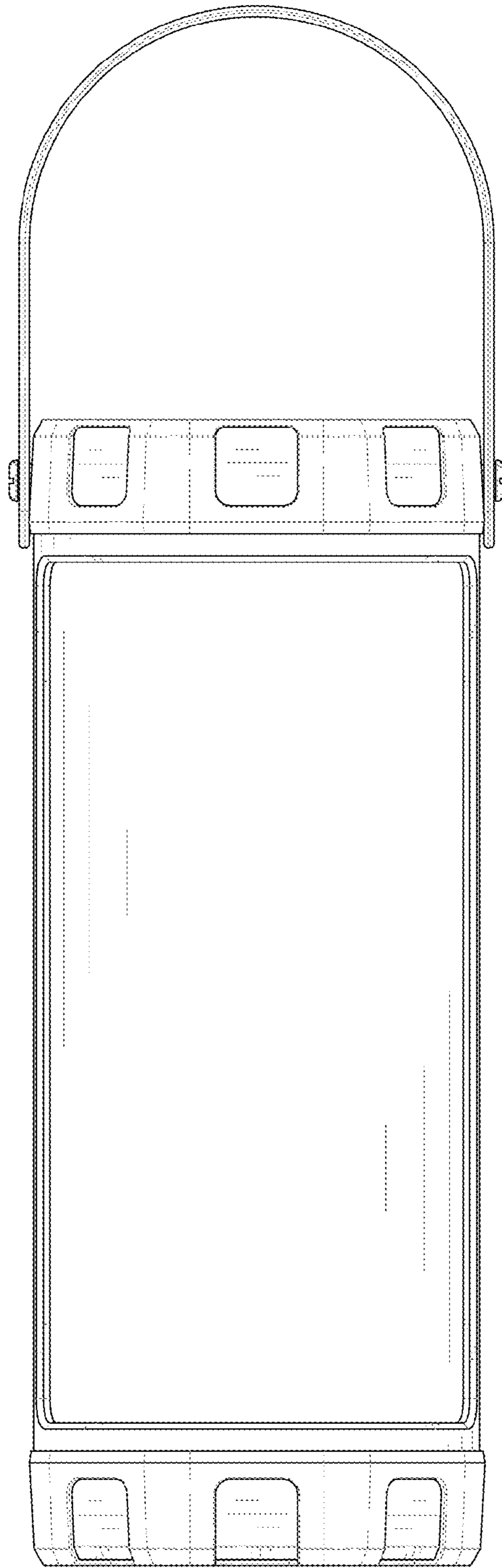
FIG. 7 is a perspective view of a camping lantern showing my new design; and,

FIG. 8 is another perspective view thereof.

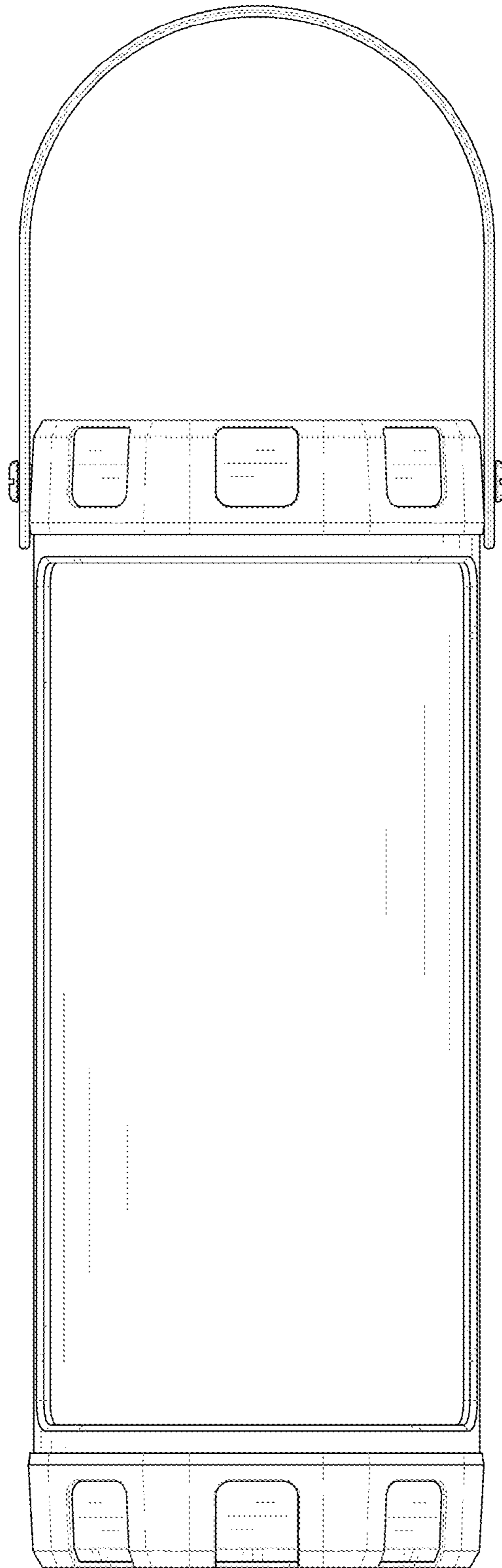
The broken lines in the figures are for the purposes of illustrating portions of the camping lantern, which form no part of the claimed design.

**1 Claim, 8 Drawing Sheets**

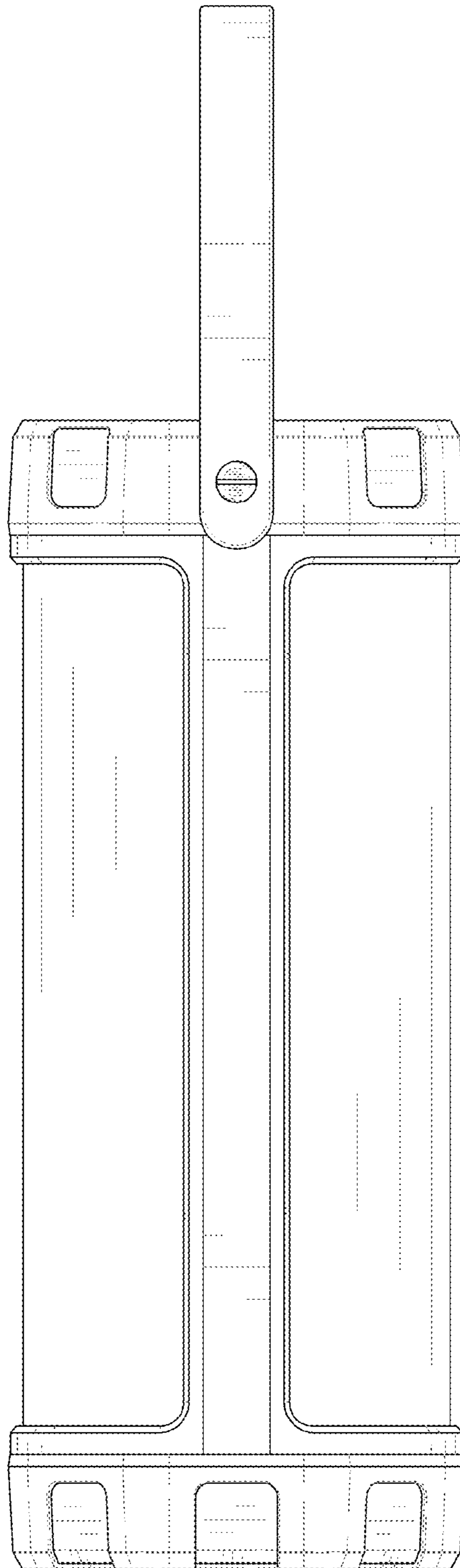




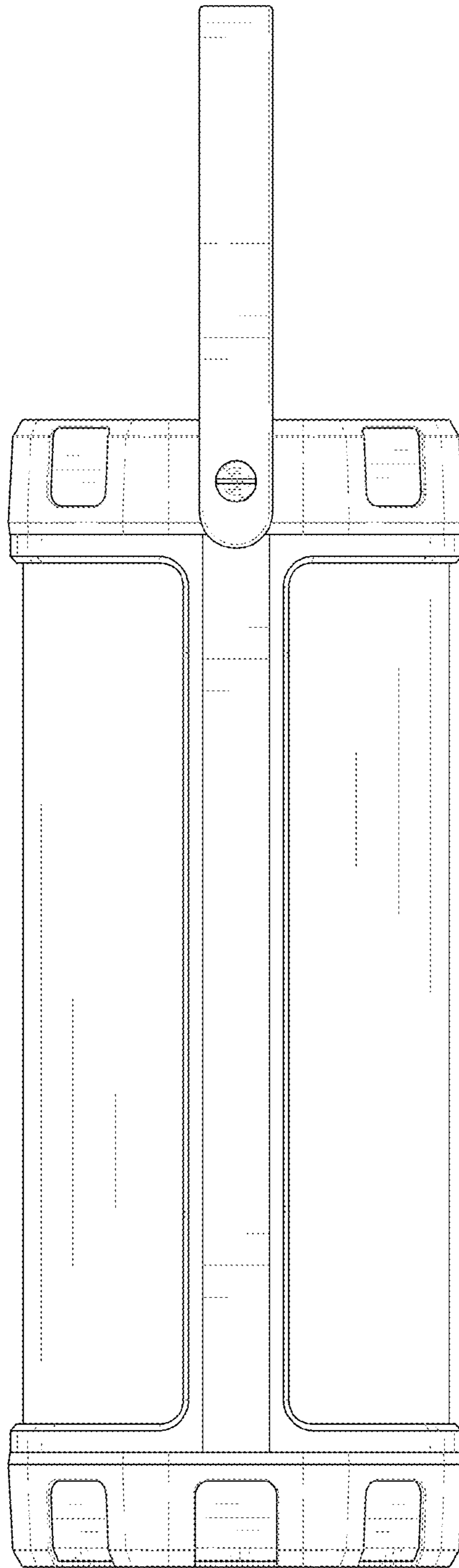
**FIG. 1**



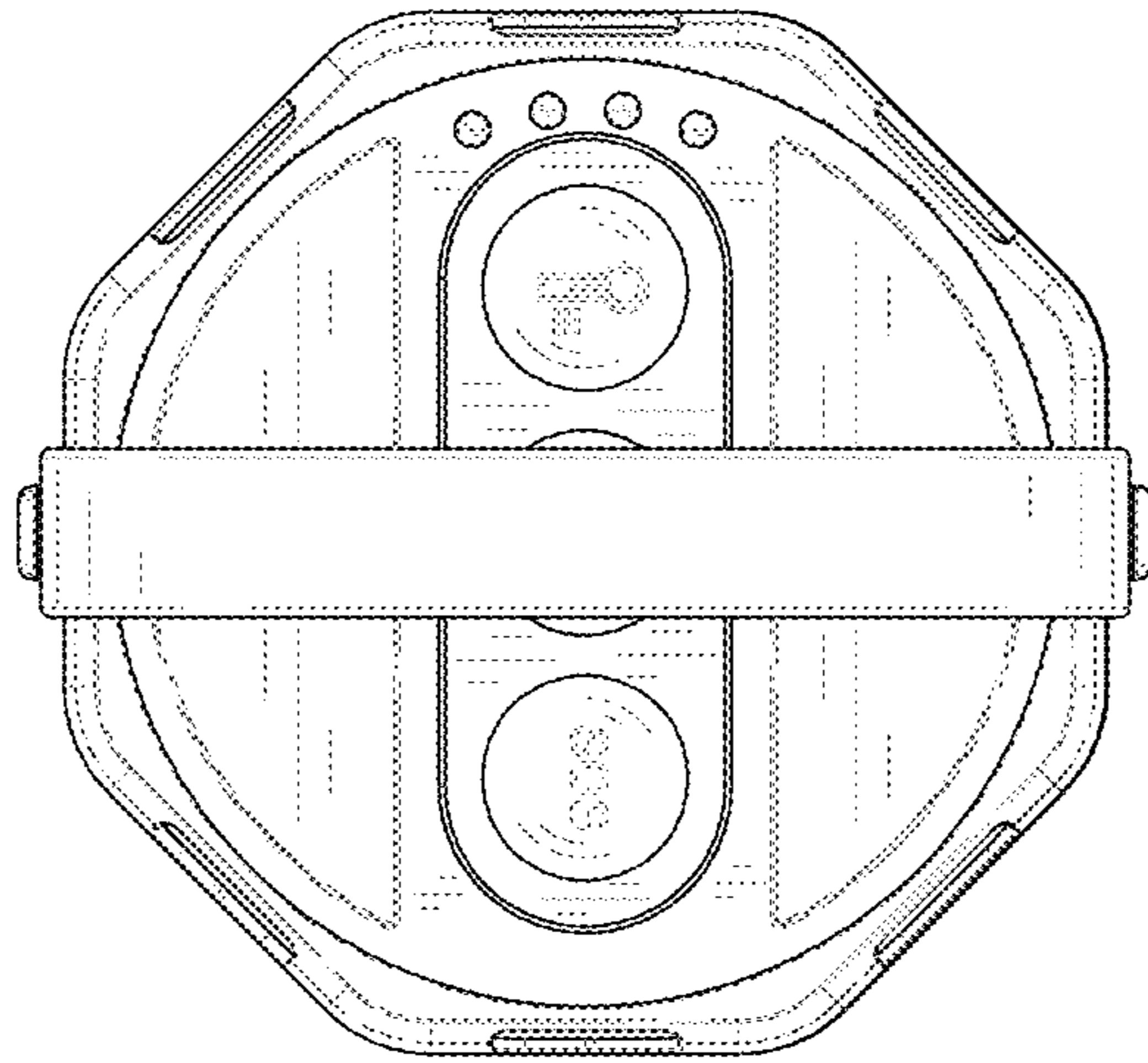
**FIG. 2**



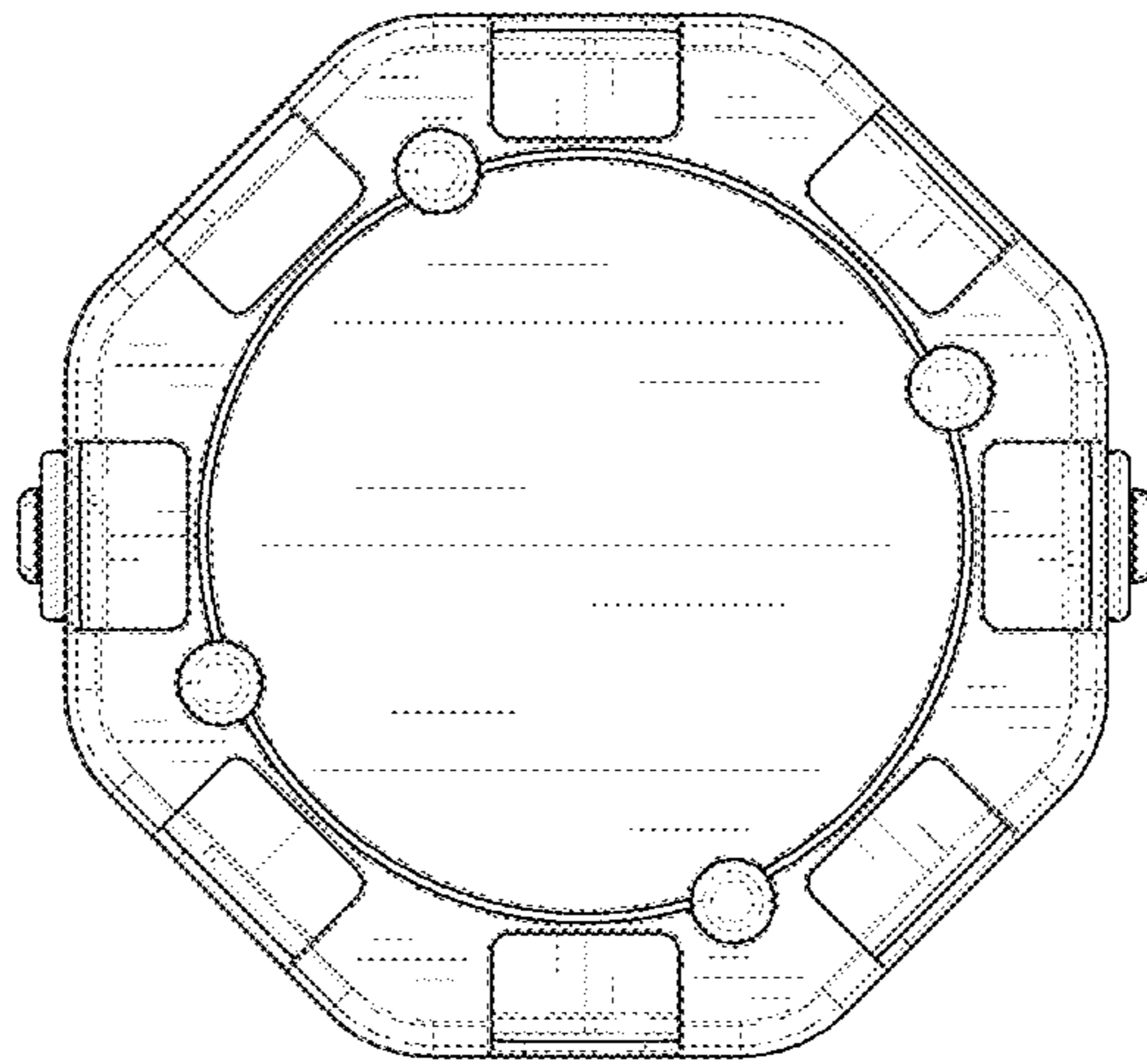
**FIG. 3**



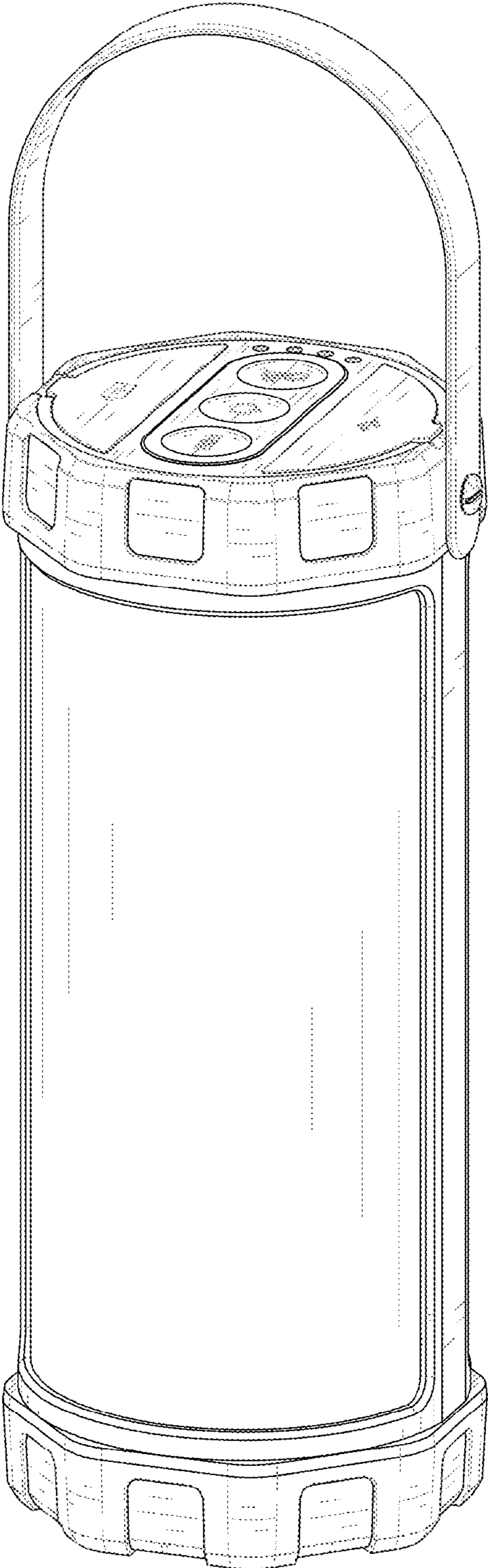
**FIG. 4**



**FIG. 5**

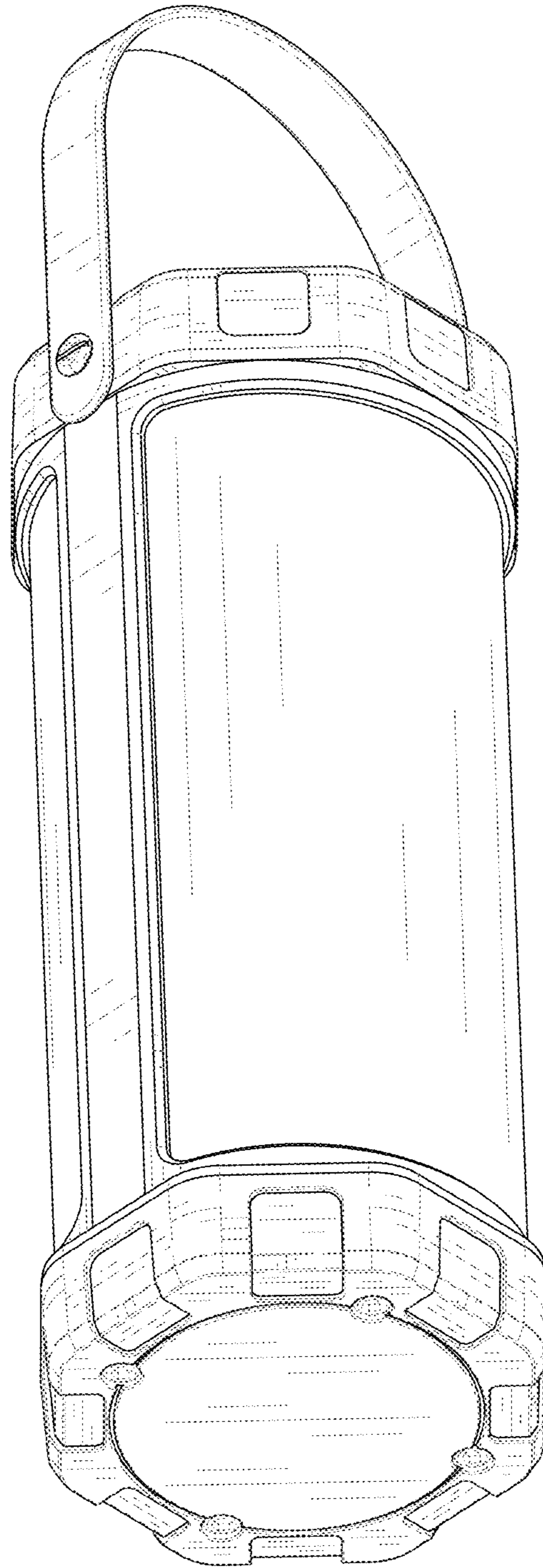


**FIG. 6**



**FIG. 7**





**FIG. 8**