



US00D979104S

(12) **United States Design Patent** (10) **Patent No.:** **US D979,104 S**
Minale (45) **Date of Patent:** **** Feb. 21, 2023**

(54) **LIGHT FITTING**

(71) Applicant: **Buster and Punch Limited**, Stamford (GB)

(72) Inventor: **Massimo Minale**, London (GB)

(73) Assignee: **Buster and Punch Limited**, Stamford (GB)

(**) Term: **15 Years**

(21) Appl. No.: **29/747,752**

(22) Filed: **Aug. 25, 2020**

(30) **Foreign Application Priority Data**

Feb. 28, 2020 (EM) 007721022-0001
Feb. 28, 2020 (EM) 007721022-0002
Feb. 28, 2020 (EM) 007721022-0003

(51) **LOC (14) Cl.** **26-05**

(52) **U.S. Cl.**
USPC **D26/24**

(58) **Field of Classification Search**
USPC D26/72, 113, 118-122, 138-142, 145,
D26/152, 154, 155, 24, 74, 85, 123, 124,
D26/128-134, 137, 51
(Continued)

(56) **References Cited**

U.S. PATENT DOCUMENTS

D85,931 S 1/1932 Graff
D103,024 S 2/1937 Loewy
(Continued)

FOREIGN PATENT DOCUMENTS

CN 2519104 Y 10/2002
CN 2536894 Y 2/2003
(Continued)

OTHER PUBLICATIONS

“CA Creative” reference by Creative Cables USA on Amazon.com, date first available Nov. 16, 2018 [online], site visited Feb. 3, 2022, available from internet URL: <https://www.amazon.com/CA-Creative-Cables-Knurled-Aluminium/dp/B07MQT1HW3?th=1> (Year: 2018).*
(Continued)

Primary Examiner — Marissa J Cash

Assistant Examiner — Liv C Anderson

(74) *Attorney, Agent, or Firm* — Kolitch Romano
Dascenzo Gates LLC

(57) **CLAIM**

The ornamental design for a light fitting, as shown and described.

DESCRIPTION

FIG. 1 is an isometric view showing a first embodiment of a light fitting showing the design.

FIG. 2 is a front elevation view thereof.

FIG. 3 is a rear elevation view thereof.

FIG. 4 is a left side elevation view thereof.

FIG. 5 is a right side elevation view thereof.

FIG. 6 is a top plan view thereof.

FIG. 7 is an isometric view showing a second embodiment of a light fitting showing the design.

FIG. 8 is a front elevation view thereof.

FIG. 9 is a rear elevation view thereof.

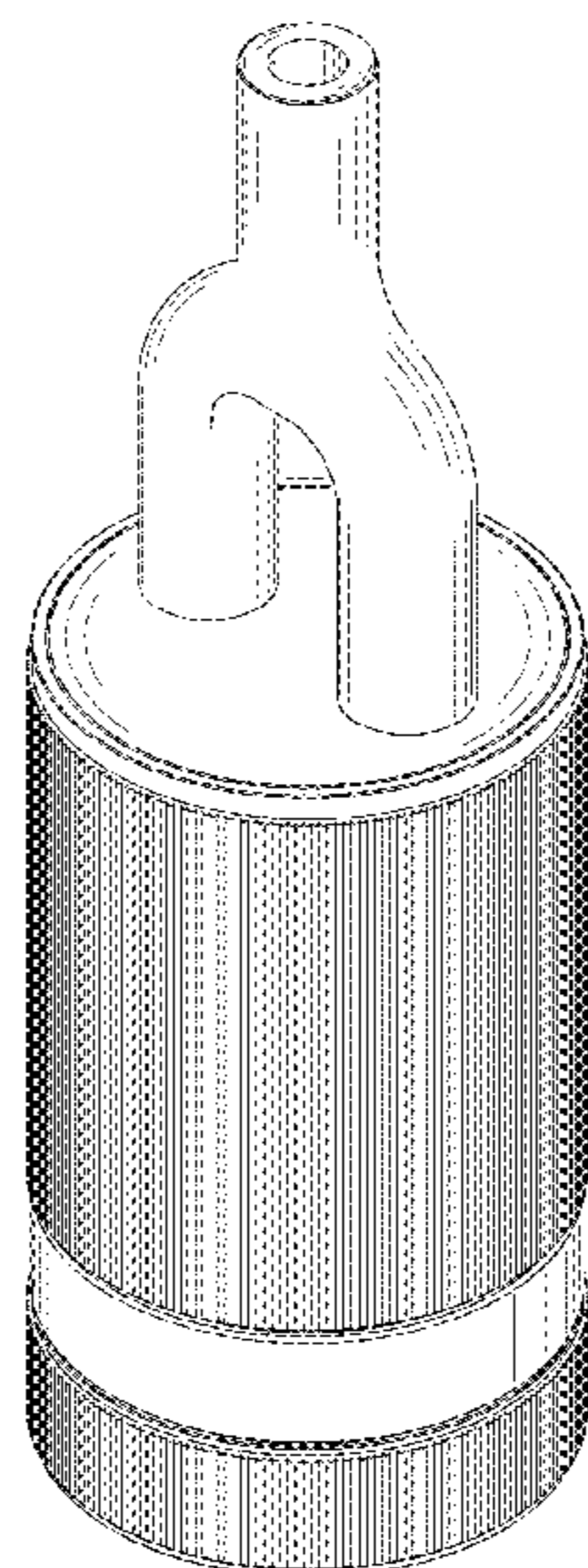
FIG. 10 is a left side elevation view thereof.

FIG. 11 is a right side elevation view thereof; and,

FIG. 12 is a top plan view thereof.

The dashed lines shown in the drawings indicate portions of the light fitting that form no part of the claimed design. The dash-dot lines shown in the drawings indicate a boundary line separating claimed and unclaimed portions of the design, with the claimed subject matter extending to the dash-dot boundary line but not including the dash-dot boundary line.

1 Claim, 12 Drawing Sheets



(58) **Field of Classification Search**
 CPC F21S 8/00; F21K 9/20; F21K 9/237; F21V
 15/013; F21V 17/04; F21V 21/00; F21V
 21/02
 See application file for complete search history.

(56) **References Cited**
 U.S. PATENT DOCUMENTS

D110,213 S 6/1938 Hazenberg
 2,362,131 A 11/1944 Haggart, Jr.
 D152,994 S 3/1949 McCann
 2,546,157 A 3/1951 Hume
 D164,507 S 9/1951 McCann
 2,871,044 A 1/1959 Peterson et al.
 D206,454 S 12/1966 Rosen
 D238,549 S 1/1976 Fischer
 D244,310 S 5/1977 Dunning
 4,087,187 A 5/1978 Asaro
 D253,854 S 1/1980 Strignano
 4,208,701 A 6/1980 Schock
 4,347,758 A * 9/1982 Geil G05G 5/06
 D8/312
 4,373,405 A 2/1983 Geil
 D271,528 S 11/1983 Muller
 4,422,719 A 12/1983 Orcutt
 D283,785 S 5/1986 Belaiche
 D284,259 S 6/1986 Oury
 4,600,974 A 7/1986 Lew et al.
 D291,053 S 7/1987 Decursu
 D299,109 S 12/1988 Jans
 4,955,914 A 9/1990 Caniglia et al.
 5,092,807 A 3/1992 Lew et al.
 5,105,309 A 4/1992 Baravaglio et al.
 5,165,781 A 11/1992 Orak
 D363,362 S 10/1995 Davis, Sr.
 D398,214 S 9/1998 Yui
 D399,018 S * 9/1998 Jensen D26/63
 D399,330 S 10/1998 Geier et al.
 D405,342 S 2/1999 Thompson
 5,980,063 A 11/1999 Ford et al.
 D438,775 S 3/2001 Magnusson
 D439,361 S 3/2001 Berry
 D442,317 S 5/2001 Crosby
 D445,735 S 7/2001 Sheu
 D471,074 S 3/2003 Fields
 D471,075 S 3/2003 Fields
 6,550,952 B1 4/2003 Hulse et al.
 D475,270 S * 6/2003 Loyd D8/312
 D481,157 S 10/2003 Fickas et al.
 D483,143 S 12/2003 Orozco
 D489,602 S 5/2004 Menta
 6,758,588 B2 7/2004 Hsu
 D500,241 S 12/2004 Choi
 D504,309 S 4/2005 Fuchs
 D504,804 S 5/2005 Chen
 D505,139 S 5/2005 Jackovin
 D511,290 S 11/2005 Coudurier
 D513,237 S * 12/2005 Langner D13/174
 D514,420 S 2/2006 Xu
 D520,849 S 5/2006 Mentasti
 7,044,020 B2 5/2006 Rosenthal
 D549,383 S 8/2007 Duggan
 D553,791 S 10/2007 Bouroullec et al.
 D558,381 S 12/2007 Choi et al.
 D563,007 S 2/2008 Opolka
 D563,022 S 2/2008 Hetfield et al.
 D564,336 S 3/2008 McConnell
 D564,854 S 3/2008 Thompson
 D565,230 S 3/2008 Hetfield et al.
 D569,219 S 5/2008 Sjögren
 D575,444 S 8/2008 Lissoni
 D583,976 S 12/2008 Horn et al.
 D589,191 S * 3/2009 Sabernig D26/63
 D596,476 S 7/2009 Welch
 7,565,050 B2 7/2009 Lee et al.
 D599,947 S 9/2009 Sabernig

D600,390 S 9/2009 Sabernig
 D606,789 S 12/2009 Krumpe
 7,699,490 B2 4/2010 Tsai et al.
 7,726,860 B2 6/2010 Harrity et al.
 D619,872 S 7/2010 Singtoroj
 D626,675 S 11/2010 Leen
 D627,085 S 11/2010 Duan et al.
 D627,441 S 11/2010 Sedwick
 7,837,348 B2 11/2010 Narendran et al.
 D629,929 S 12/2010 Chen et al.
 D633,226 S 2/2011 Katsaros
 D634,451 S 3/2011 De Visser
 D637,884 S 5/2011 Trotta
 D642,289 S * 7/2011 Kleene D26/1
 7,976,206 B2 7/2011 Wu et al.
 D642,704 S 8/2011 Hagens et al.
 D646,833 S 10/2011 Chen
 D648,204 S 11/2011 Parvey
 8,136,959 B2 3/2012 Ho
 D659,281 S 5/2012 Patkus et al.
 D664,287 S 7/2012 Cegnar
 D667,568 S * 9/2012 Chen D26/1
 8,287,145 B2 10/2012 Isogai et al.
 D680,407 S 4/2013 Ramsland et al.
 D680,848 S 4/2013 Jou
 D693,515 S 11/2013 Muller
 D694,942 S 12/2013 Lindsley et al.
 D695,587 S 12/2013 Pallone
 D697,661 S 1/2014 Sabernig
 D698,219 S 1/2014 Lee
 D705,981 S 5/2014 Cegnar
 D713,089 S 9/2014 Orozco
 D731,694 S 6/2015 Tomlinson
 D735,388 S * 7/2015 Schlegel D26/63
 D737,652 S 9/2015 Harden et al.
 D738,468 S 9/2015 Bahler
 D740,099 S 10/2015 Chang
 D748,313 S * 1/2016 Grundl D26/63
 D758,825 S 6/2016 Nesbitt
 9,447,945 B2 9/2016 Narendran et al.
 D768,626 S 10/2016 Mikelson
 D773,091 S * 11/2016 Nouvel D26/63
 D775,754 S 1/2017 Jepson
 D777,008 S 1/2017 Nesbitt
 D781,126 S 3/2017 Pionek et al.
 D784,601 S * 4/2017 Yang D26/138
 D787,296 S 5/2017 Zimmer
 D787,730 S 5/2017 Gines
 D788,286 S 5/2017 Busta
 D788,566 S 6/2017 Wang
 9,677,705 B2 6/2017 Cen
 9,683,771 B2 6/2017 Anselmino et al.
 D794,884 S 8/2017 Ayers
 9,726,422 B2 8/2017 Tunzi
 D798,396 S 9/2017 Agate et al.
 9,765,527 B2 9/2017 Hart et al.
 D799,093 S * 10/2017 Terumichi D26/63
 D799,739 S 10/2017 Dean
 9,822,962 B2 11/2017 McGilvray
 D809,169 S 1/2018 Grandadam
 D813,005 S 3/2018 Dovellos
 D815,334 S 4/2018 Hu
 D819,259 S 5/2018 McTaggart
 D821,625 S 6/2018 Couvreur et al.
 D824,076 S 7/2018 Sonneman
 D824,238 S 7/2018 Grasselli et al.
 D825,092 S 8/2018 Amato et al.
 D829,076 S 9/2018 Dullely et al.
 D829,527 S 10/2018 Kang et al.
 D829,866 S 10/2018 Kirar et al.
 D830,521 S 10/2018 Kirar et al.
 D831,879 S * 10/2018 Minale D26/113
 D833,056 S 11/2018 Sonneman
 D834,394 S 11/2018 Kang et al.
 D835,836 S 12/2018 Furman
 D836,820 S 12/2018 Sonneman
 D837,436 S 1/2019 Orozco
 D838,401 S 1/2019 Joyeux
 D838,402 S 1/2019 Sonneman

(56)

References Cited

U.S. PATENT DOCUMENTS

D838,572 S 1/2019 Su
 D841,220 S 2/2019 Chen et al.
 D842,073 S 3/2019 Minale et al.
 10,295,161 B1 5/2019 Shih
 D851,318 S 6/2019 Amato et al.
 D851,319 S 6/2019 Amato et al.
 D859,717 S 9/2019 Martinez Weber
 D862,195 S 10/2019 Dulley et al.
 D862,661 S 10/2019 Kulig
 D862,772 S 10/2019 Wellens et al.
 D867,101 S 11/2019 Minale et al.
 D869,931 S 12/2019 Dulley et al.
 D871,554 S 12/2019 Garland
 D882,142 S 4/2020 Huang
 D887,057 S 6/2020 Healey
 D887,067 S 6/2020 Dulley et al.
 10,670,203 B1 6/2020 Glazer et al.
 D892,383 S 8/2020 McDennon
 D902,686 S 11/2020 Prezner
 D909,645 S * 2/2021 Tong D14/216
 D917,754 S 4/2021 Dean
 D925,102 S * 7/2021 Fletcher D26/118
 D939,927 S * 1/2022 Minale D8/347
 D943,137 S 2/2022 Bjerre-Poulsen et al.
 D957,030 S 7/2022 Cornelissen
 D959,041 S 7/2022 Chen
 D962,529 S 8/2022 Diez
 2004/0027837 A1 2/2004 Hsu
 2004/0245080 A1 12/2004 Turner
 2005/0211696 A1 9/2005 Adamski
 2006/0061990 A1 3/2006 Chinniah et al.
 2006/0109662 A1 3/2006 Reiff et al.
 2006/0086127 A1 4/2006 Anselmino et al.
 2008/0205067 A1 8/2008 Neeld et al.
 2009/0262535 A1 10/2009 Maillet-Jegou
 2010/0019516 A1 1/2010 Williamson
 2010/0157584 A1 6/2010 Ho
 2010/0232175 A1 9/2010 Ho
 2011/0286200 A1 11/2011 Iimura et al.
 2011/0309403 A1 12/2011 Kawashima
 2011/0309735 A1 12/2011 Parker et al.
 2011/0314860 A1 12/2011 Tafoya et al.
 2012/0106127 A1 5/2012 Hattori et al.
 2012/0287610 A1 * 11/2012 Krogman F21V 19/001
 362/249.02
 2012/0320608 A1 * 12/2012 Ramirez F21V 29/83
 362/373
 2013/0092646 A1 4/2013 Wang
 2013/0107516 A1 5/2013 Chou
 2013/0114268 A1 5/2013 Shigematsu et al.
 2013/0279149 A1 10/2013 Udatsu et al.
 2014/0092591 A1 4/2014 Ou Yang et al.
 2014/0096761 A1 4/2014 Brantley et al.
 2014/0146558 A1 5/2014 Chen
 2014/0185269 A1 7/2014 Li
 2014/0210331 A1 7/2014 Tunzi
 2014/0376217 A1 12/2014 Yamada et al.
 2015/0029742 A1 1/2015 Chen
 2015/0331441 A1 11/2015 Ho et al.
 2016/0145895 A1 5/2016 Kankkunen
 2017/0365114 A1 12/2017 Bettencourt et al.
 2018/0142867 A1 5/2018 Read et al.
 2019/0203890 A1 7/2019 Moore et al.
 2020/0025356 A1 * 1/2020 Hencken H02G 3/20
 2020/0370729 A1 * 11/2020 Eidam F21V 17/02
 2021/0239309 A1 * 8/2021 Lazalier F21V 23/06
 2022/0082223 A1 3/2022 Zhang et al.
 2022/0243900 A1 8/2022 Kemparaju et al.

FOREIGN PATENT DOCUMENTS

CN 1802533 A 7/2006
 CN 201973466 U 9/2011
 CN 102679209 A 9/2012

CN 202484668 U 10/2012
 CN 104067045 A 9/2014
 CN 303103325 * 9/2014
 CN 104295945 A 1/2015
 CN 105190169 A 12/2015
 EP 0103729 A1 3/1984
 GB 6057652 * 3/2019
 GB 6082656 * 2/2020
 JP 2002245819 A 8/2002
 JP 2009016087 A 1/2009
 JP 3148997 U 2/2009
 JP 2010514209 A 4/2010
 JP 2010129300 A 6/2010
 JP 2012074258 A 4/2012
 JP 3176320 U 5/2012
 JP 2015195156 A 11/2015
 TW 201231879 A1 8/2012
 WO WO 2014/180689 A1 11/2014
 WO WO 2014/196498 A1 12/2014
 WO WO 2016/139454 A1 9/2016

OTHER PUBLICATIONS

“Knurled Texture” reference by hauteShop on Amazon.com, date first available May 17, 2017 [online], site visited Feb. 3, 2022, available from internet URL: https://www.amazon.com/dp/B07RY9SB44/ref=cm_sw_em_r_mt_dp_GJSVRYFR2TJFRV7NAJQZ?th=1 (Year: 2017).*

“GlideRite” reference by Integrity Worldwide on Amazon.com, date first available Jul. 18, 2019 [online], site visited Feb. 3, 2022, available from internet URL: https://www.amazon.com/dp/B07XYFQ16C/ref=cm_sw_em_r_mt_dp_6ZM3590G87E5E9DT80KK?th=1 (Year: 2019).*

“NUVO” reference by Amazon.com, date first available Nov. 16, 2011 [online], site visited Feb. 3, 2022, available from internet URL: https://www.amazon.com/dp/B002OMEE4K/ref=cm_sw_em_r_mt_dp_B85RZF2FV3079XG1TMS?th=1 (Year: 2011).*

“Black” reference by Harwez on Amazon.com, date first available Jan. 9, 2018 [online], site visited Apr. 15, 2022, available from internet URL: <https://www.amazon.com/Industrial-Adjustable-Lighting-Lampholder-Harwez/dp/B078XBVDH9> (Year: 2018).*

“Industrial” reference by Jackyled Direct on Amazon.com, date first available Jul. 9, 2019 [online], site visited Apr. 15, 2022, available from internet URL: <https://www.amazon.com/Industrial-Pendant-JACKYLED-Lampholder-Adjustable/dp/B07V56RNM9> (Year: 2019).*

English language translation of JP 2002245819 A, downloaded from patents.google.com on Jun. 6, 2022.

English language translation of CN 2519104 Y, downloaded from patents.google.com on Jun. 6, 2022.

English language translation of CN 2536894 Y, downloaded from patents.google.com on Jun. 6, 2022.

English language translation of CN 1802533 A, downloaded from patents.google.com on Jun. 6, 2022.

English language translation of JP 2009016087 A, downloaded from patents.google.com on Jun. 6, 2022.

English language translation of JP 3148997 U, downloaded from patents.google.com on Jun. 6, 2022.

English language translation of JP 2010514209 A, downloaded from patents.google.com on Jun. 6, 2022.

English language translation of JP 2010129300 A, downloaded from patents.google.com on Jun. 6, 2022.

English language translation of CN 201973466 U, downloaded from patents.google.com on Jun. 6, 2022.

English language translation of JP 2012074258 A, downloaded from patents.google.com on Jun. 6, 2022.

English language translation of JP 3176320 U, downloaded from patents.google.com on Jun. 6, 2022.

English language translation of TW 201231879 A1, downloaded from patents.google.com on Jun. 6, 2022.

English language translation of CN 102679209 A, downloaded from patents.google.com on Jun. 6, 2022.

English language translation of CN 202484668 U, downloaded from patents.google.com on Jun. 6, 2022.

(56)

References Cited

OTHER PUBLICATIONS

English language translation of CN 104067045 A, downloaded from patents.google.com on Jun. 6, 2022.

English language translation of WO 2014/196498 A1, downloaded from patents.google.com on Jun. 6, 2022.

English language translation of CN 104295945 A, downloaded from patents.google.com on Jun. 6, 2022.

English language translation of JP 2015195156 A, downloaded from patents.google.com on Jun. 6, 2022.

English language translation of CN 105190169 A, downloaded from patents.google.com on Jun. 6, 2022.

European Community Design Reg. No. 002465880-0001, EUIPO, May 16, 2014.

European Community Design Reg. No. 002465880-0002, EUIPO, May 16, 2014.

European Community Design Reg. No. 002465880-0003, EUIPO, May 16, 2014.

European Community Design Reg. No. 002494427-0001, EUIPO, Jul. 1, 2014.

European Community Design Reg. No. 003372796-0001, EUIPO, Sep. 9, 2016.

European Community Design Reg. No. 003428895-0001, EUIPO, Oct. 21, 2016.

European Community Design Reg. No. 003428895-0002, EUIPO, Oct. 21, 2016.

European Community Design Reg. No. 003520717-0001, EUIPO, Dec. 15, 2016.

European Community Design Reg. No. 003781442-0001, EUIPO, Mar. 3, 2017.

European Community Design Reg. No. 003781442-0002, EUIPO, Mar. 3, 2017.

European Community Design Reg. No. 003797174-0001, EUIPO, Mar. 13, 2017.

European Community Design Reg. No. 003797174-0002, EUIPO, Mar. 13, 2017.

European Community Design Reg. No. 004125201-0001, EUIPO, Jul. 28, 2017.

European Community Design Reg. No. 004125201-0002, EUIPO, Jul. 28, 2017.

Buster & Punch Stoned Table Light, The Coolector, Mar. 30, 2017, site visited Mar. 20, 2018, available online at <http://www.thecolector.com/buster-punch-stoned-table-light/> (Year: 2017).

Artemide, Calumet Lighting System First available unknown. Searched Sep. 6, 2022. [<https://www.artemide.com/en/subfamily/1884107/calumet?series=7>] (Year: 2022).

Forma Lighting, Zero Pendant Light. First available unknown. Searched Sep. 6, 2022. [<https://www.formalighting.com/products/indoor-lighting/pendant/zero>] (Year: 2022).

Forma Lighting, Zip Recessed Ceiling Spotlight. First available unknown. Searched Sep. 6, 2022. [<https://www.archiexpo.com/prod/forma-lighting-italia-srl/product-88894-2279066.html>] (Year: 2022).

Ai Lati, Caleido Wall-mounted Spotlight. First available unknown. Searched Sep. 6, 2022. [<https://www.archiexpo.com/prod/ai-lati-lights/product-103698-2014408.html>] (Year: 2022).

Japan Design Registration No. 702140, Apr. 8, 1987.

European Community Design Reg. No. 002688093-0001, EUIPO, Apr. 23, 2015.

European Community Design Reg. No. 002688093-0002, EUIPO, Apr. 23, 2015.

European Community Design Reg. No. 002688093-0003, EUIPO, Apr. 23, 2015.

European Community Design Reg. No. 002688093-0004, EUIPO, Apr. 23, 2015.

European Community Design Reg. No. 002688093-0005, EUIPO, Apr. 23, 2015.

European Community Design Reg. No. 002688093-0006, EUIPO, Apr. 23, 2015.

European Community Design Reg. No. 002688093-0007, EUIPO, Apr. 23, 2015.

European Community Design Reg. No. 002688093-0008, EUIPO, Apr. 23, 2015.

European Community Design Reg. No. 002688093-0009, EUIPO, Apr. 23, 2015.

European Community Design Reg. No. 002688093-0010, EUIPO, Apr. 23, 2015.

European Community Design Reg. No. 002688093-0011, EUIPO, Apr. 23, 2015.

European Community Design Reg. No. 002688093-0012, EUIPO, Apr. 23, 2015.

European Community Design Reg. No. 003098771-0001, EUIPO, Apr. 28, 2016.

European Community Design Reg. No. 003098771-0002, EUIPO, Apr. 28, 2016.

European Community Design Reg. No. 003124122-0001, EUIPO, May 12, 2016.

European Community Design Reg. No. 003124122-0002, EUIPO, May 12, 2016.

European Community Design Reg. No. 003124122-0003, EUIPO, May 12, 2016.

European Community Design Reg. No. 003124122-0004, EUIPO, May 12, 2016.

European Community Design Reg. No. 003386952-0001, EUIPO, Sep. 20, 2016.

European Community Design Reg. No. 003386952-0002, EUIPO, Sep. 20, 2016.

European Community Design Reg. No. 003386952-0003, EUIPO, Sep. 20, 2016.

European Community Design Reg. No. 003386952-0004, EUIPO, Sep. 20, 2016.

European Community Design Reg. No. 003386952-0005, EUIPO, Sep. 20, 2016.

European Community Design Reg. No. 003386952-0006, EUIPO, Sep. 20, 2016.

European Community Design Reg. No. 003386952-0007, EUIPO, Sep. 20, 2016.

European Community Design Reg. No. 003386952-0008, EUIPO, Sep. 20, 2016.

European Community Design Reg. No. 003386952-0009, EUIPO, Sep. 20, 2016.

European Community Design Reg. No. 003797158-0001, EUIPO, Mar. 13, 2017.

European Community Design Reg. No. 003797158-0002, EUIPO, Mar. 13, 2017.

European Community Design Reg. No. 003797158-0003, EUIPO, Mar. 13, 2017.

European Community Design Reg. No. 003797158-0004, EUIPO, Mar. 13, 2017.

European Community Design Reg. No. 003797158-0005, EUIPO, Mar. 13, 2017.

European Community Design Reg. No. 003797158-0006, EUIPO, Mar. 13, 2017.

European Community Design Reg. No. 003797158-0007, EUIPO, Mar. 13, 2017.

European Community Design Reg. No. 003797158-0008, EUIPO, Mar. 13, 2017.

Pull Bar, Buster + Punch, posted at busterandpunch.com, date and author not listed © 2018 Buster + Punch, online, site visited Apr. 16, 2018. Available from Internet, URL: <https://www.busterandpunch.com/hardware/pull-bar/pull-bar-black> (Year: 2018).

Cabinet Knobs, Ottostumm/Piet Boon, static1.squarespace.com, published by Ottostumm on Nov. 2015 © 2015 Ottostumm, online, site visited Dec. 28, 2018. Available from Internet, URL: <https://static1.squarespace.com/static/530c9cdae4b05d0919018fa6/t/56e806fbb09f95498f307713/> . . . (Year: 2015).

T-Bar handle with specifications, Buster and Punch, busterandpunch.com, published by Buster and Punch, date not listed © 2018 Buster and Punch, online, site visited Dec. 28, 2018. Available from Internet, URL: <https://www.busterandpunch.com/hardware/t-bar/t-bar-nude-brass> (Year: 2018).

Knurled/Textured Cabinet Handle, brand not listed, aliexpress.com, published by Enmoo HW Store, date not listed © 2010-2019 AliExpress.com, online site visited Jan. 6, 2019. Available from

(56)

References Cited

OTHER PUBLICATIONS

Internet, URL: [https://www.aliexpress.com/item/Knurlled-Textured-cabinet-handles-Gold-Kitchen . . .](https://www.aliexpress.com/item/Knurlled-Textured-cabinet-handles-Gold-Kitchen...) (Year: 2018).
Homefield Lantern with Motion Sensor by Astro Lighting. Date first available at amazon.com.uk Jun. 4, 2014. (Year: 2014).
Messina #130 7861 from Astro Lighting. Date first available at amazon.com.uk Oct. 29, 2017. (Year: 2017).
Astro Homefield Outdoor Pendant Ceiling Light, Product code: 70270104 from johnlewis.com visited Jul. 17, 2019. (Year: 2019).
Quoizel Westover 20" High Earth Black Outdoor Wall Light, available from lampsplus.com as early as Dec. 7, 2020. (Year: 2020).
Z-Lite 584B-BK Dunbroch 1-Light 24 inch Black Outdoor Wall Sconce, available from zlitelightinglightscom as early as Jun. 9, 2020. (Year: 2020).
Hinkley Max 18½" High Black Outdoor Wall Light Style # 84A81, available from lampsplus.com, visited Jun. 9, 2021. (Year: 2021).
The Athena door handle, Zoo Hardware Ltd., Declaration of Invalidity filed against EU Design Application No. 003124122-0004, filed May 12, 2016.
The Eros door handle, Zoo Hardware Ltd., Declaration of Invalidity filed against EU Design Application No. 003124122-0004, filed May 12, 2016.
The Philadelphia door handle, Carlisle Brass Ltd, Declaration of Invalidity filed against EU Design Application No. 003124122-0004, filed May 12, 2016.

The Knot T-bar, Furnipart A/S, Declaration of Invalidity filed against EU Design Application No. 003386952-0005, filed Sep. 20, 2016.
Control knob, replica Fender guitar, Declaration of Invalidity filed against EU Design Application No. 003124122-0001, filed May 12, 2016.
Knurlled Cupboard Knob 28 mm, SDS London Limited, Declaration of Invalidity filed against EU Design Application No. 003124122-0001, filed May 12, 2016.
Chrome Dome knobs, Fender Musical Instruments Corporation, Declaration of Invalidity filed against EU Design Application No. 003124122-0001, filed May 12, 2016.
Knurlled Pull, Schoolhouse Electric Inc., Declaration of Invalidity filed against EU Design Application Nos. 003386952-0001 and 003386952-0002, filed May 12, 2016.
Nanz 8180WN knob, The Nanz Company, Declaration of Invalidity filed against EU Design Application No. 003386952-0005, filed May 12, 2016.
Sparkbrook Pull, Armac Manufacturing (Brassfounders) Limited, Declaration of Invalidity filed against EU Design Application Nos. 003386952-0001, 003386952-0002, and 003386952-0005, filed May 12, 2016.
Sparkbrook T-bar Armac Manufacturing (Brassfounders) Limited, Declaration of Invalidity filed against EU Design Application Nos. 003386952-0001, 003386952-0002, and 003386952-0005, filed May 12, 2016.

* cited by examiner

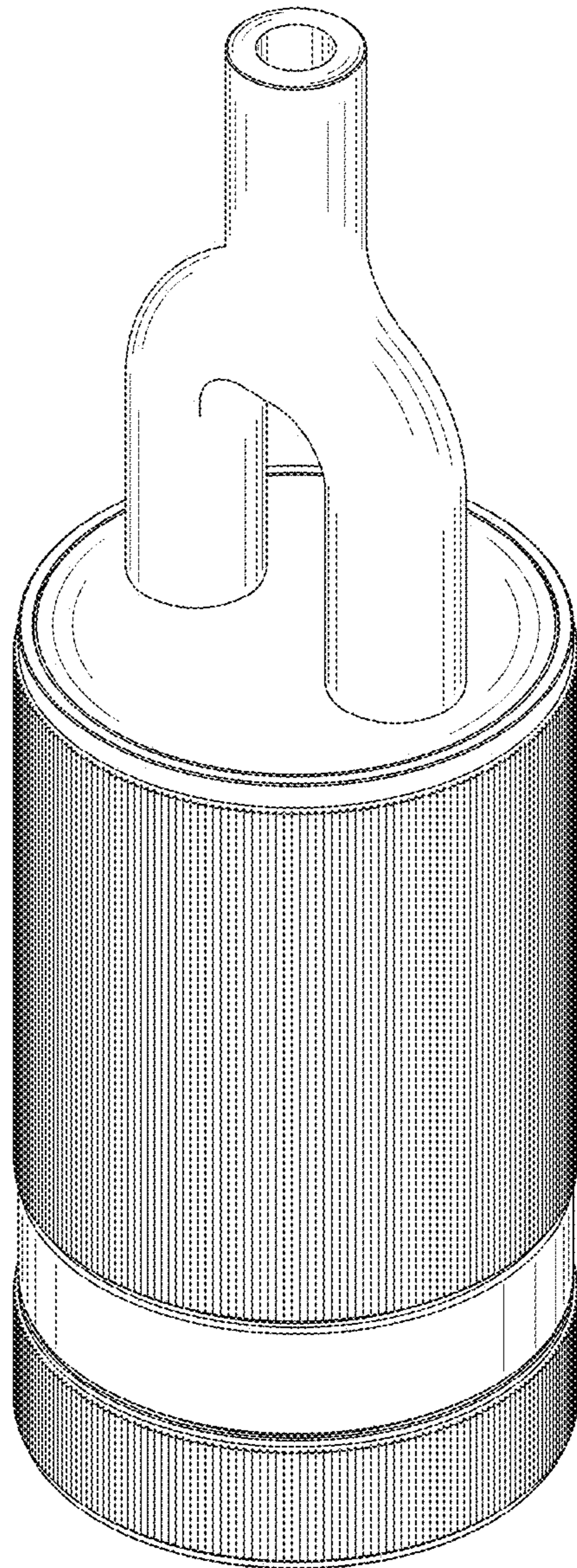


FIG. 1

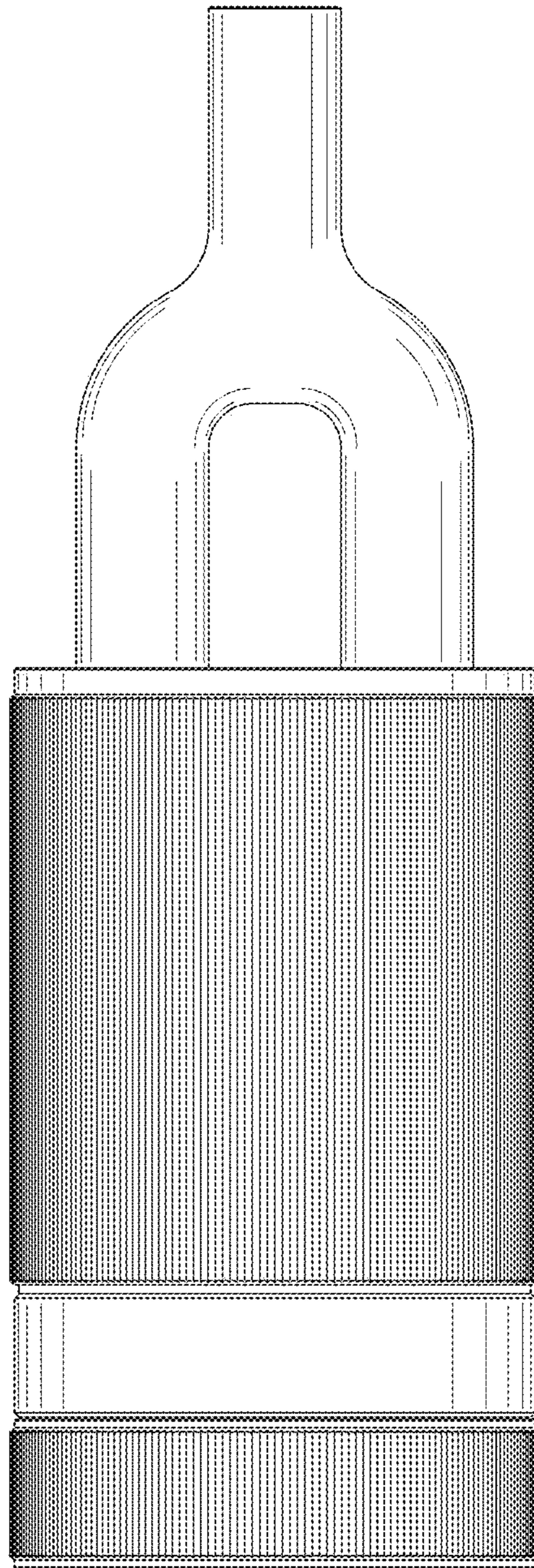


FIG. 2

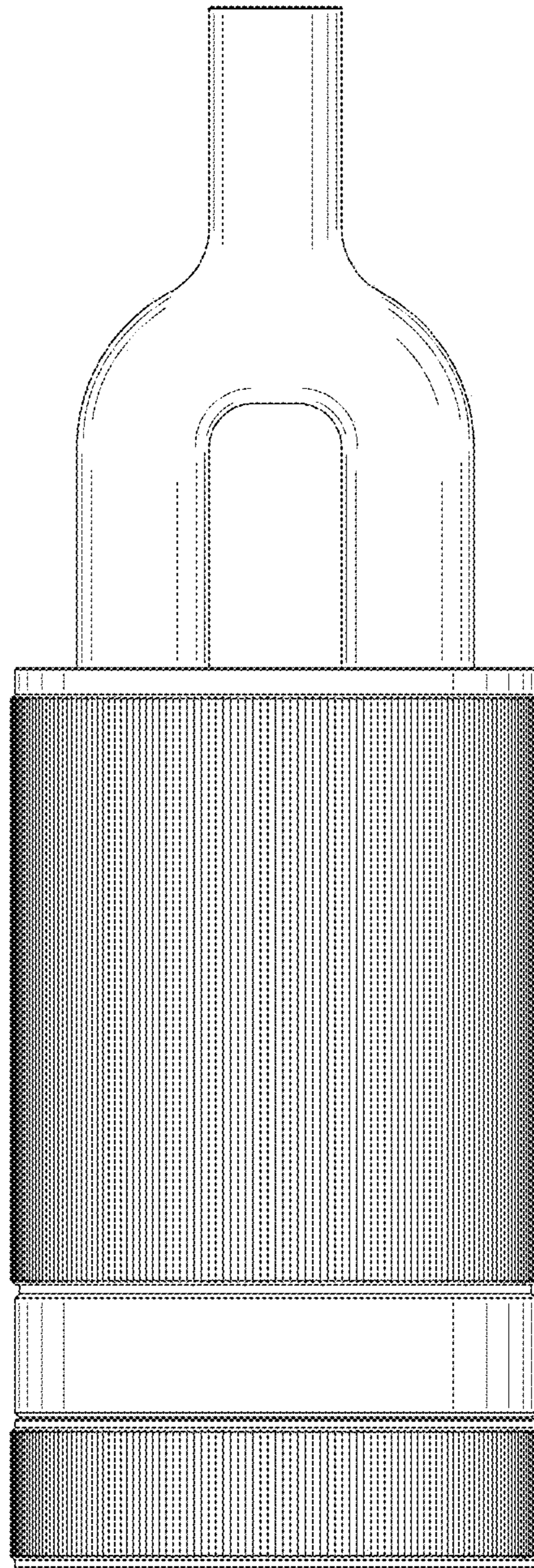


FIG. 3

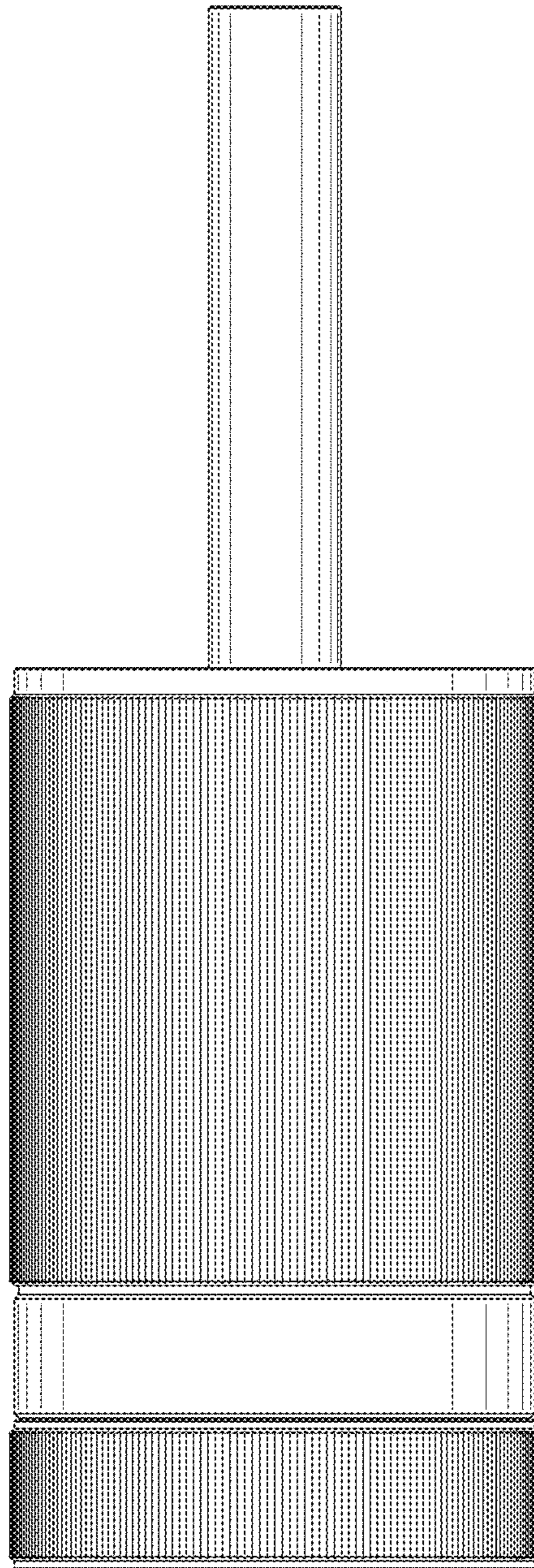


FIG. 4

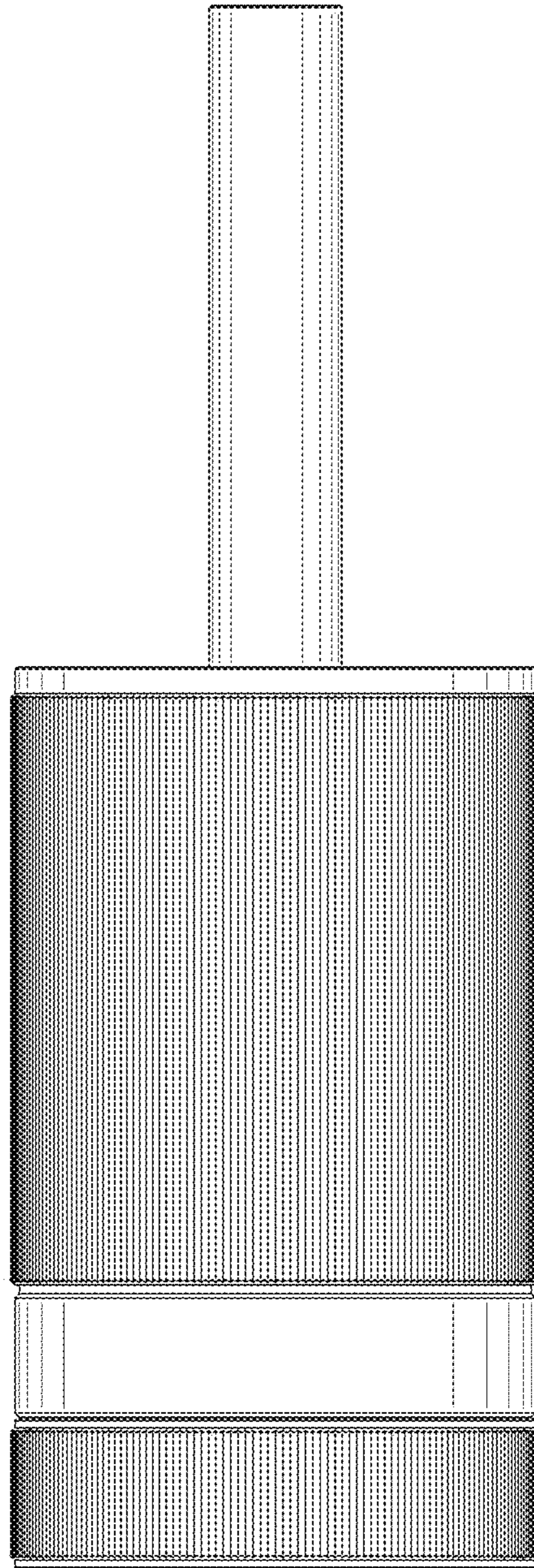


FIG. 5

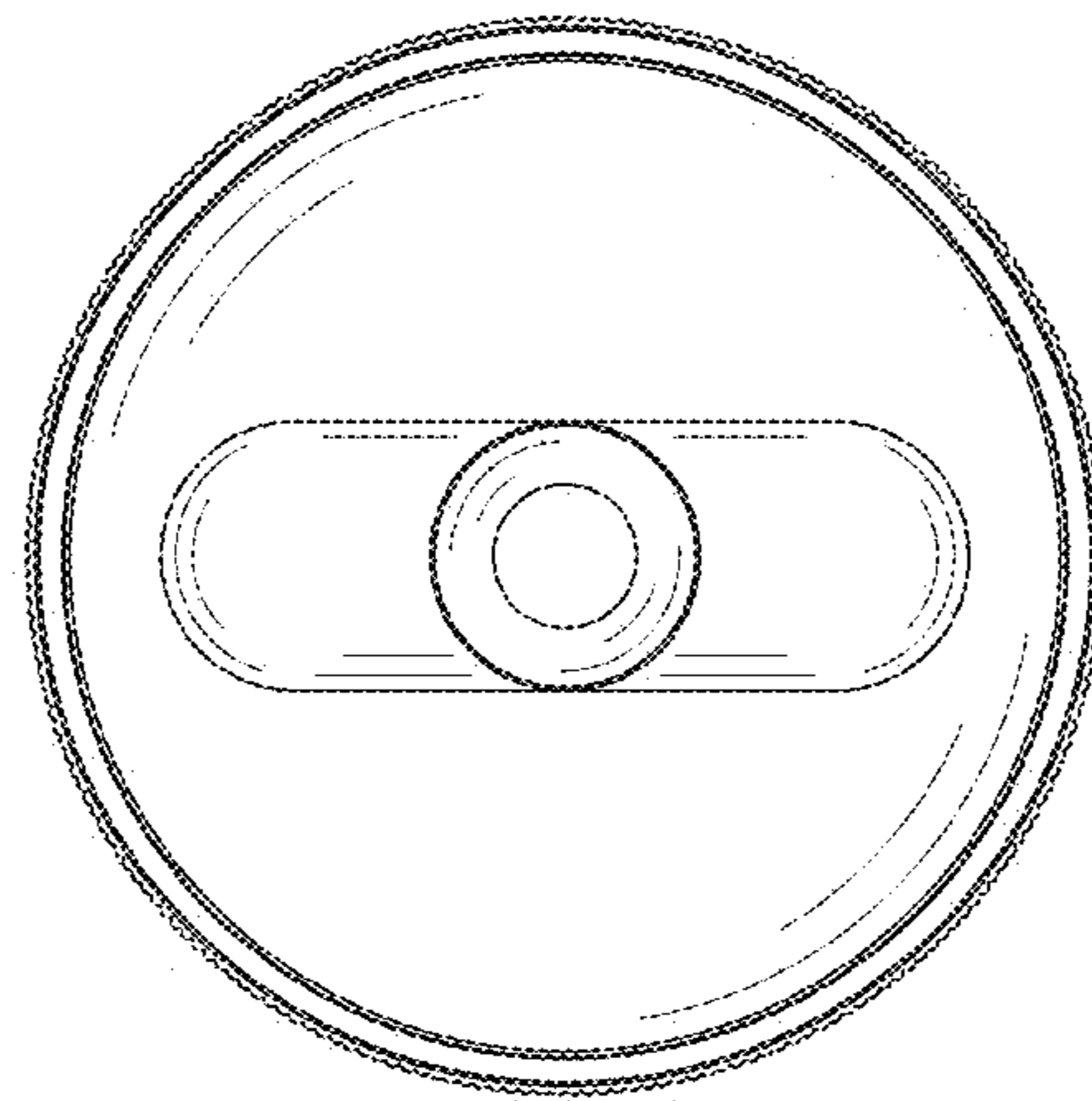


FIG. 6

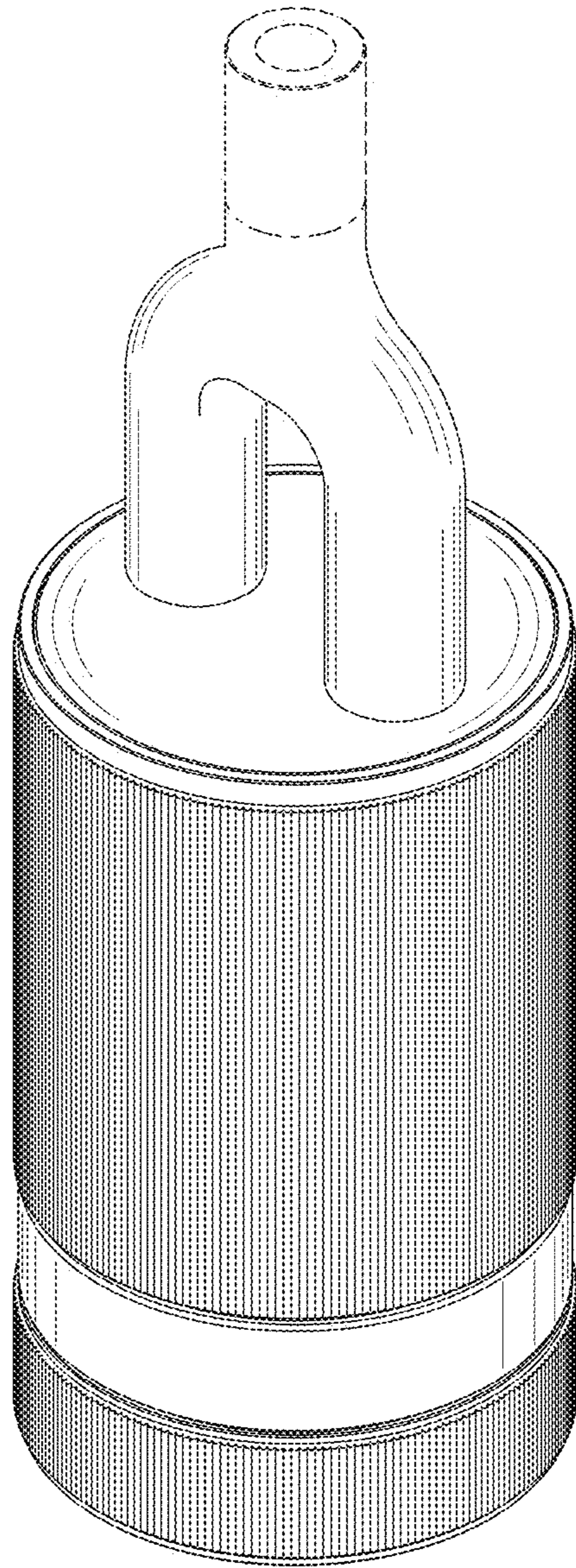


FIG. 7

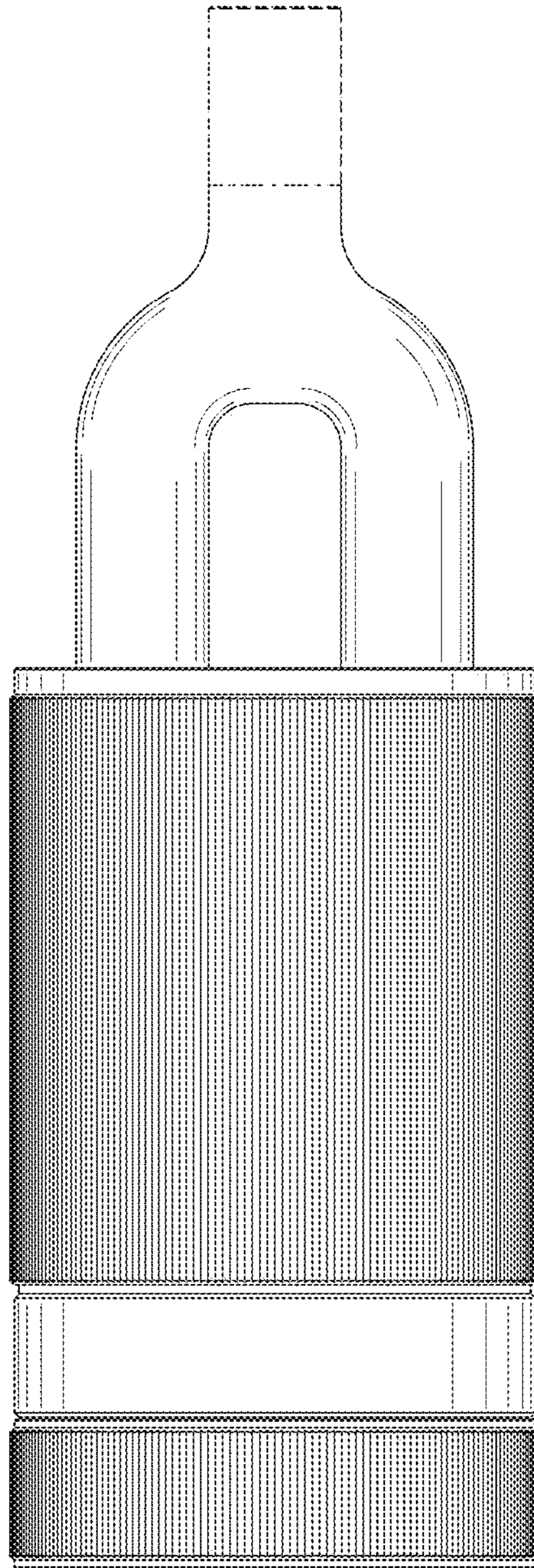


FIG. 8

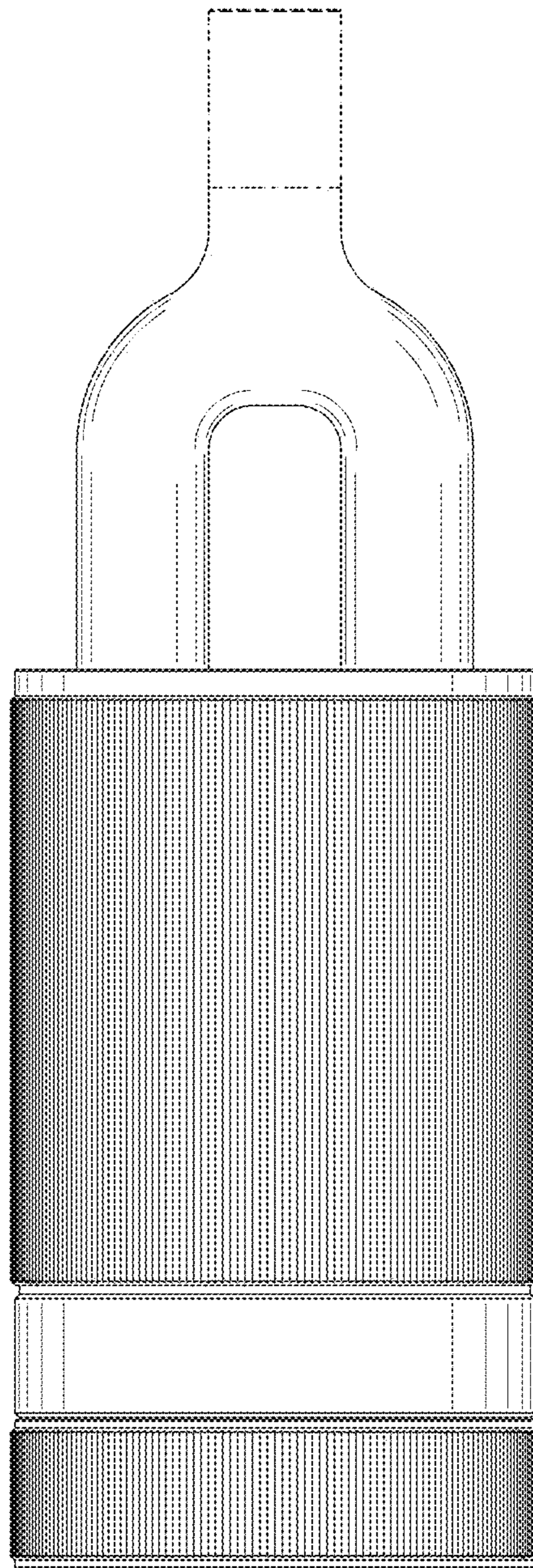


FIG. 9

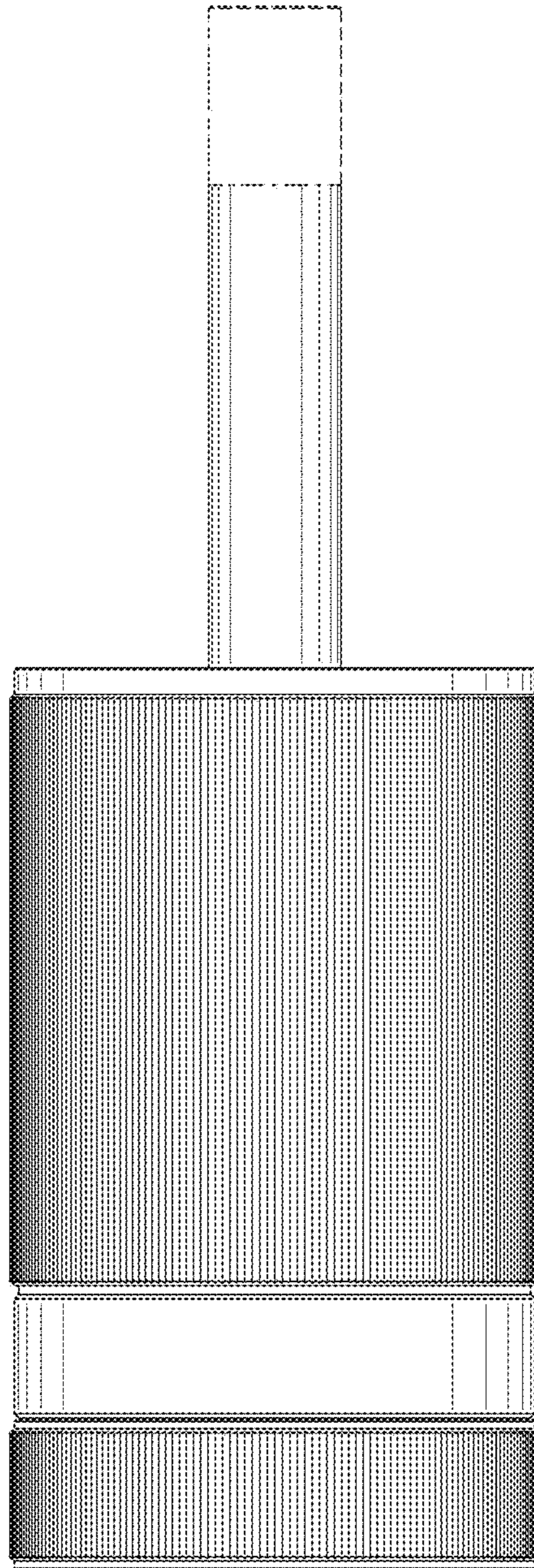


FIG. 10

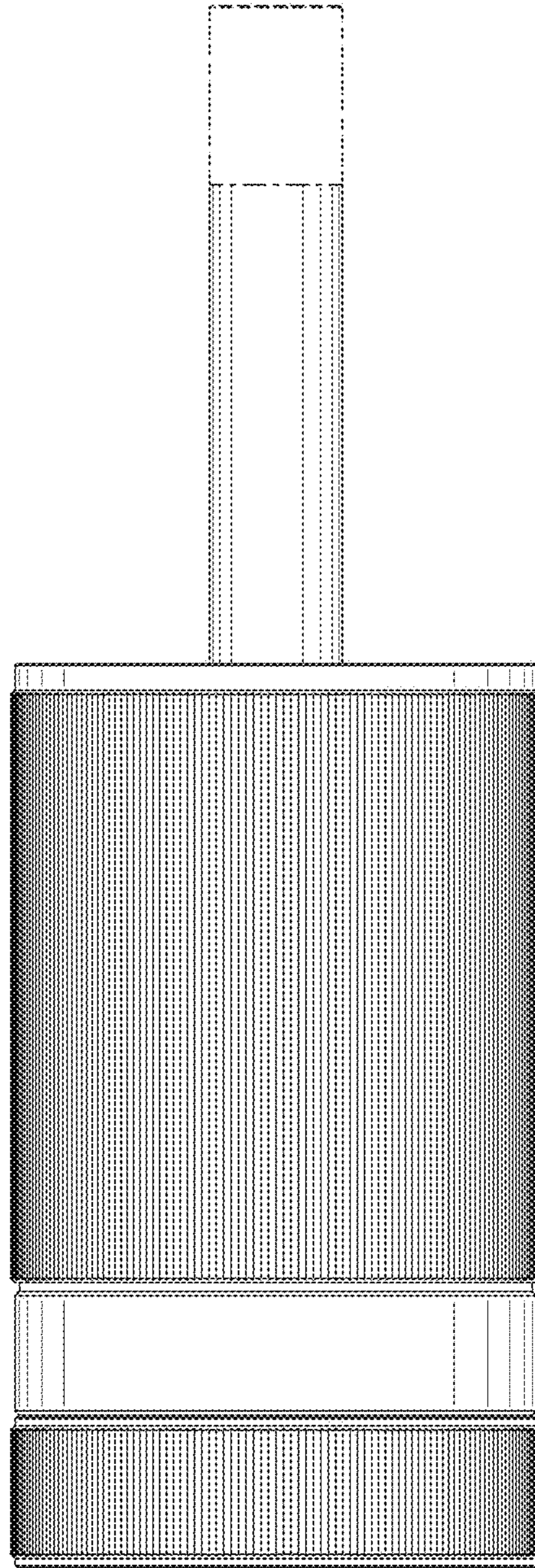


FIG. 11

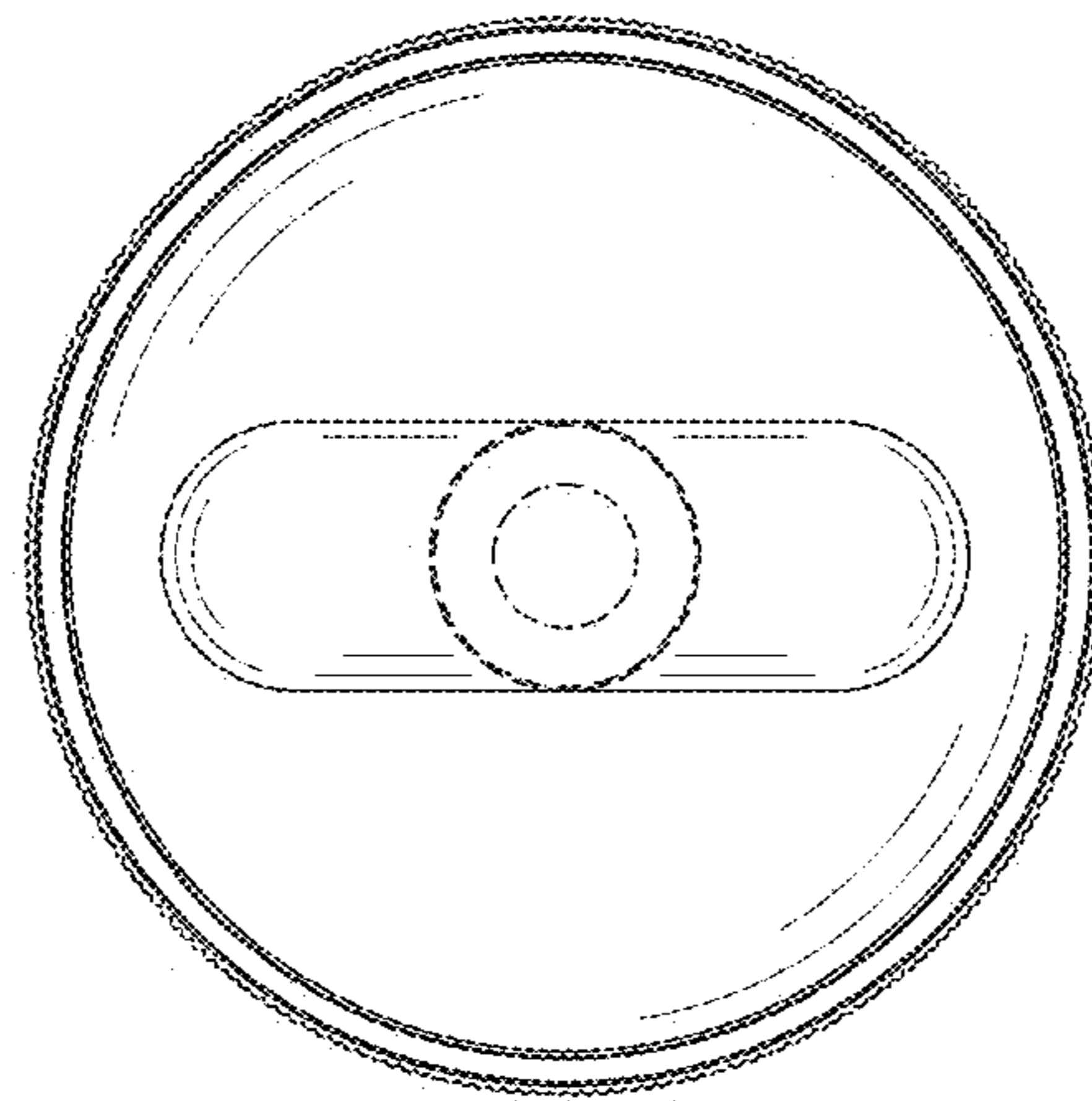


FIG. 12