



US00D979103S

(12) **United States Design Patent**
Bassir et al.

(10) **Patent No.:** **US D979,103 S**
(45) **Date of Patent:** **** Feb. 21, 2023**

(54) **POST-CURING LIGHT ASSEMBLY**

(71) Applicant: **SprintRay Inc.**, Los Angeles, CA (US)

(72) Inventors: **Hossein Bassir**, Los Angeles, CA (US);
Ferdinand Laurino, Los Angeles, CA (US)

(73) Assignee: **SprintRay, Inc.**, Los Angeles, CA (US)

(**) Term: **15 Years**

(21) Appl. No.: **29/821,520**

(22) Filed: **Dec. 30, 2021**

Related U.S. Application Data

(63) Continuation-in-part of application No. 17/511,881, filed on Oct. 27, 2021, now Pat. No. 11,433,619.

(51) **LOC (14) Cl.** **26-04**

(52) **U.S. Cl.**
USPC **D26/2**

(58) **Field of Classification Search**

USPC D26/1-3, 24; D24/176, 180-182
CPC F21V 5/00; F21V 6/00; F21V 7/05; F21V 7/06; F21V 9/00; F21V 21/044; F21V 21/047; F21V 21/049; F21Y 2115/10; F21S 8/02; F21S 8/026; B22D 27/04; B33Y 30/00; B33Y 50/02; B29C 35/0805; B29C 64/129; B29C 64/264; B29C 64/393

See application file for complete search history.

(56) **References Cited**

U.S. PATENT DOCUMENTS

D313,606 S * 1/1991 Roth D26/2
6,030,588 A * 2/2000 Ball C30B 29/54
422/250.1

(Continued)

FOREIGN PATENT DOCUMENTS

CN 103935035 A 7/2014
CN 203831648 U 9/2014

(Continued)

OTHER PUBLICATIONS

Amazon-Modelones; "Modelones Mini LED Nail Lamp . . . "; [online] 'https://www.amazon.com/Modelones-Innovative-Quicky-Dry-Portable-Appearance/dp/B09K3YSJ9V'; dated Nov. 22, 2021; accessed Dec. 15, 2022; 6pgs. (Year: 2021).*

(Continued)

Primary Examiner — Keli L Hill

(74) *Attorney, Agent, or Firm* — Jafari Law Group, Inc.

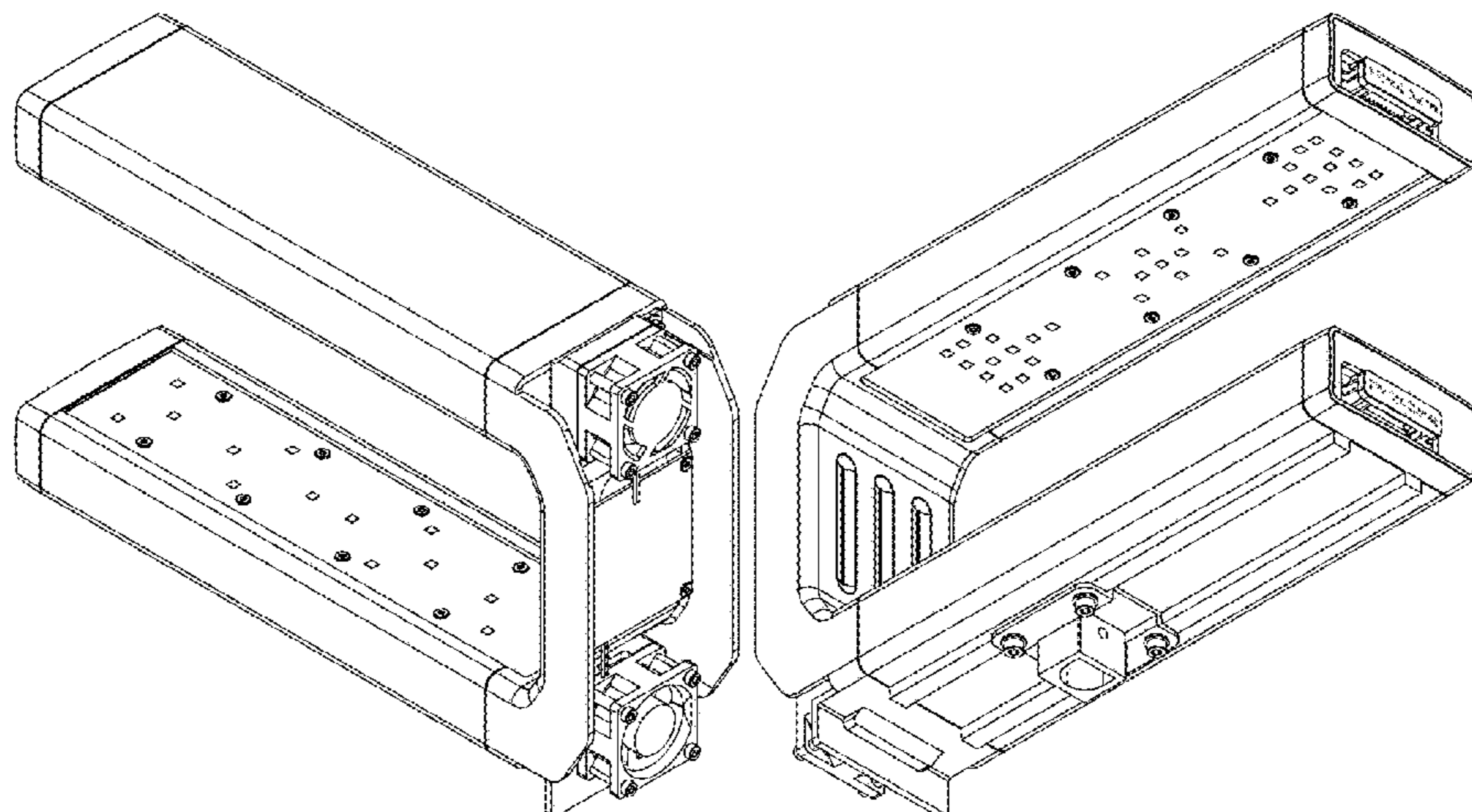
(57) **CLAIM**

The ornamental design for a post-curing light assembly, as shown and described.

DESCRIPTION

FIG. 1 illustrates an elevated right-side perspective view of a post-curing light assembly;
FIG. 2 illustrates an elevated left-side perspective view thereof;
FIG. 3 illustrates an elevated left-side elevated posterior perspective view thereof;
FIG. 4 illustrates an elevated right-side elevated posterior perspective view thereof;
FIG. 5 illustrates a bottom left-side perspective view thereof;
FIG. 6 illustrates a bottom right-side perspective view thereof;
FIG. 7 illustrates a right-side view thereof;
FIG. 8 illustrates a left-side view thereof;
FIG. 9 illustrates a top view thereof;
FIG. 10 illustrates a bottom view thereof;
FIG. 11 illustrates a front view thereof; and,
FIG. 12 illustrates a posterior view thereof.

(Continued)



The broken lines shown represent unclaimed subject matter and form no part of the claimed design.

1 Claim, 12 Drawing Sheets

2017/0007359	A1	1/2017	Kopelman et al.
2017/0100891	A1	4/2017	Meisner
2017/0355146	A1	12/2017	Buller et al.
2018/0141243	A1	5/2018	Mochizuki et al.
2018/0207863	A1	7/2018	Porter
2019/0133732	A1	5/2019	Mason
2019/0118260	A1	12/2019	Schmitt et al.

(56)

References Cited

U.S. PATENT DOCUMENTS

7,114,943	B1	10/2006	Fong et al.
7,556,490	B2	7/2009	Wicker et al.
D813,442	S *	3/2018	Cho D26/113
D817,539	S *	5/2018	Cho D26/113
10,357,960	B2	7/2019	Miller
10,589,466	B2	3/2020	Atwood
D890,403	S *	7/2020	Santoro D26/74
10,779,915	B1	9/2020	Kaza et al.
10,857,726	B2	12/2020	Tyler et al.
D930,905	S *	9/2021	Tan D28/58
11,433,619	B1 *	9/2022	Mansouri B33Y 50/02
D966,611	S *	10/2022	Tan D28/58
2014/0088751	A1	3/2014	Pridoeh et al.

FOREIGN PATENT DOCUMENTS

CN	105500700	B	12/2018
CN	110549624	A	12/2019
CN	211730248	U	10/2020
CN	110978498	B	11/2020

OTHER PUBLICATIONS

DentalCompare.com; "New Dental Products: Procure 2 . . . "; [online] <https://www.dentalcompare.com/News/581304-New-Dental-Products-ProCure-2-Post-Curing-System-and-SprintRay-OnX-3D-Printer-Resin/> dated Nov. 26, 2021; accessed Dec. 13, 2022; 3pgs. (Year: 2021).*

* cited by examiner

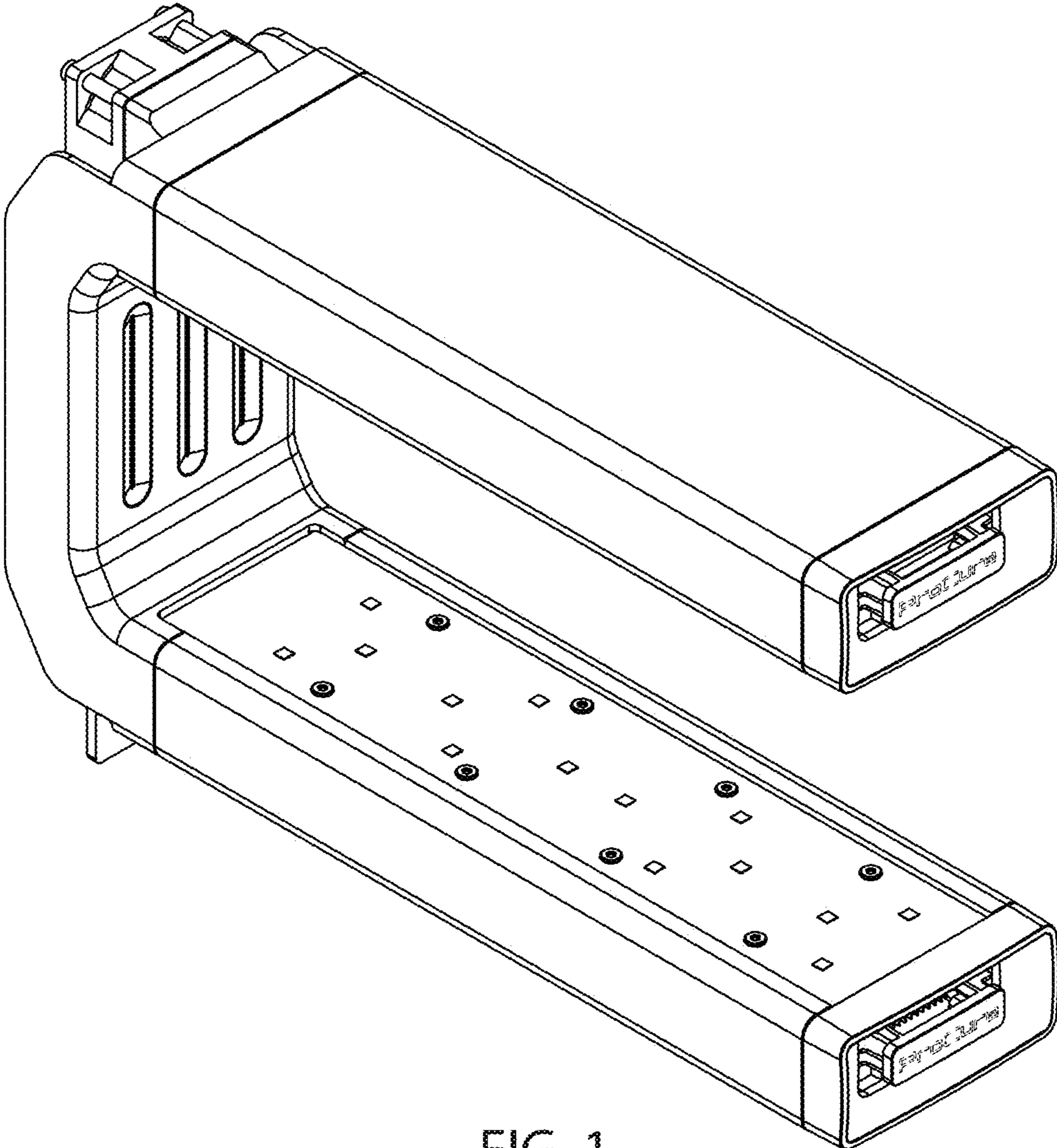


FIG. 1

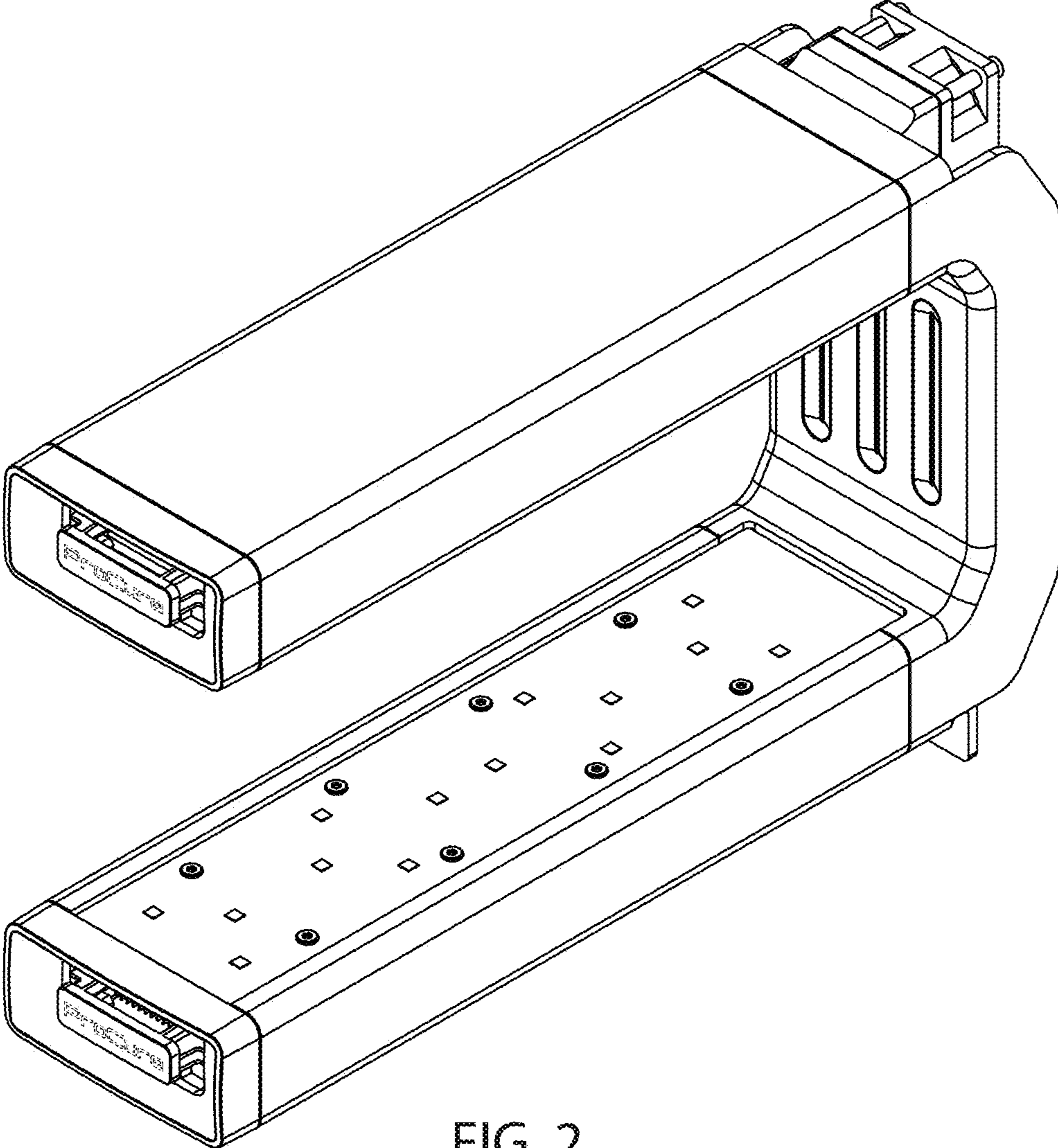


FIG. 2

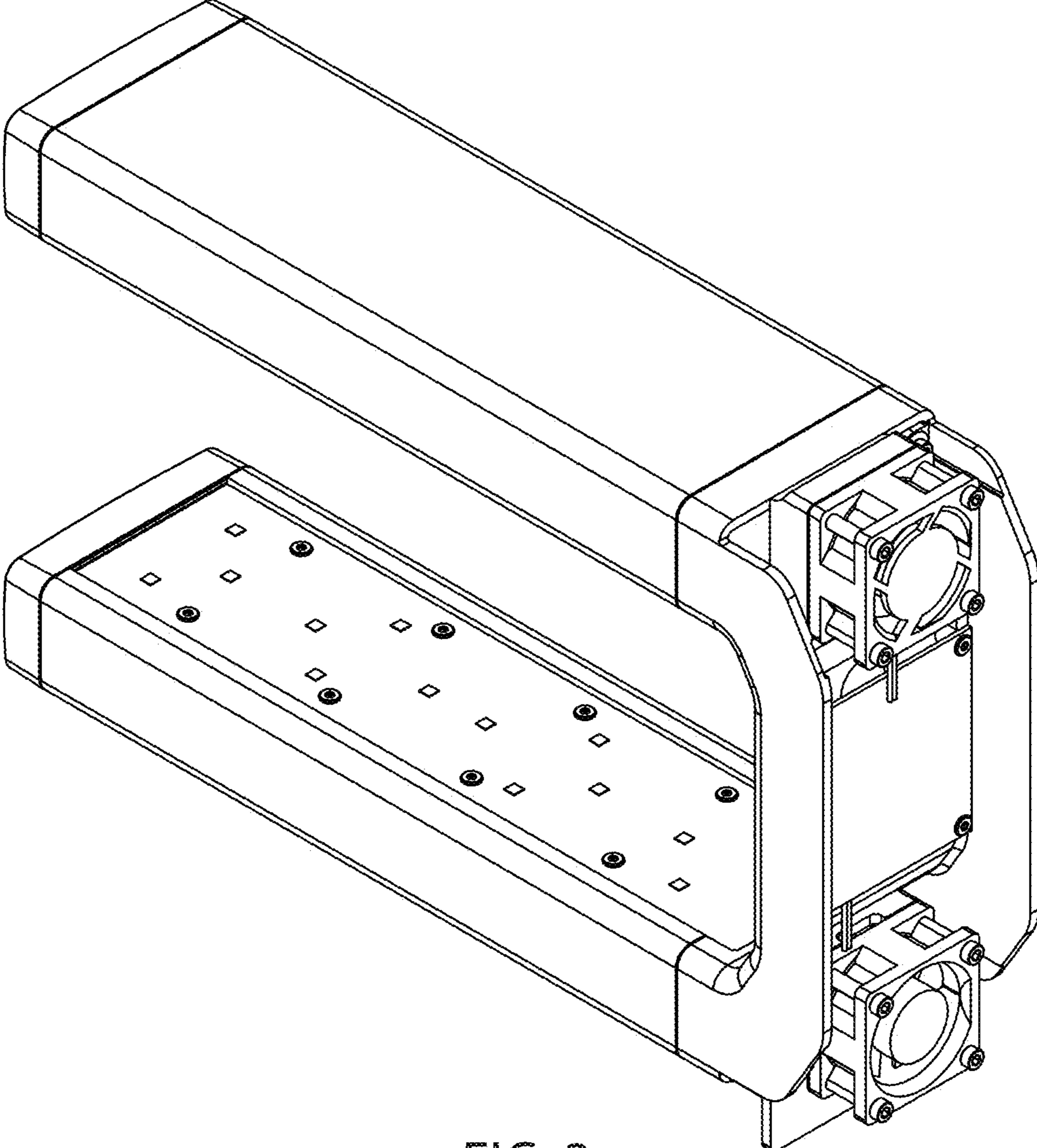


FIG. 3

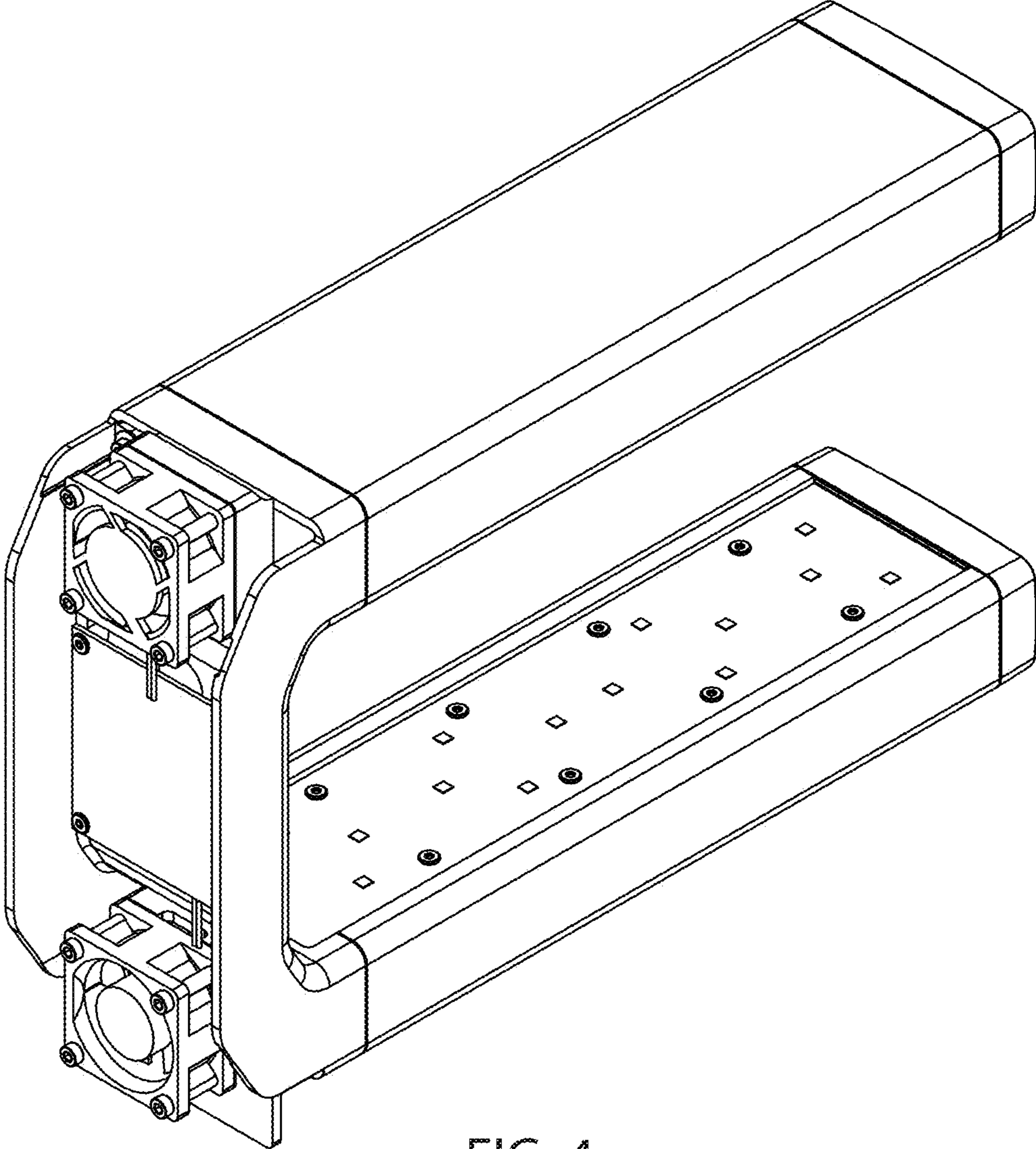


FIG. 4

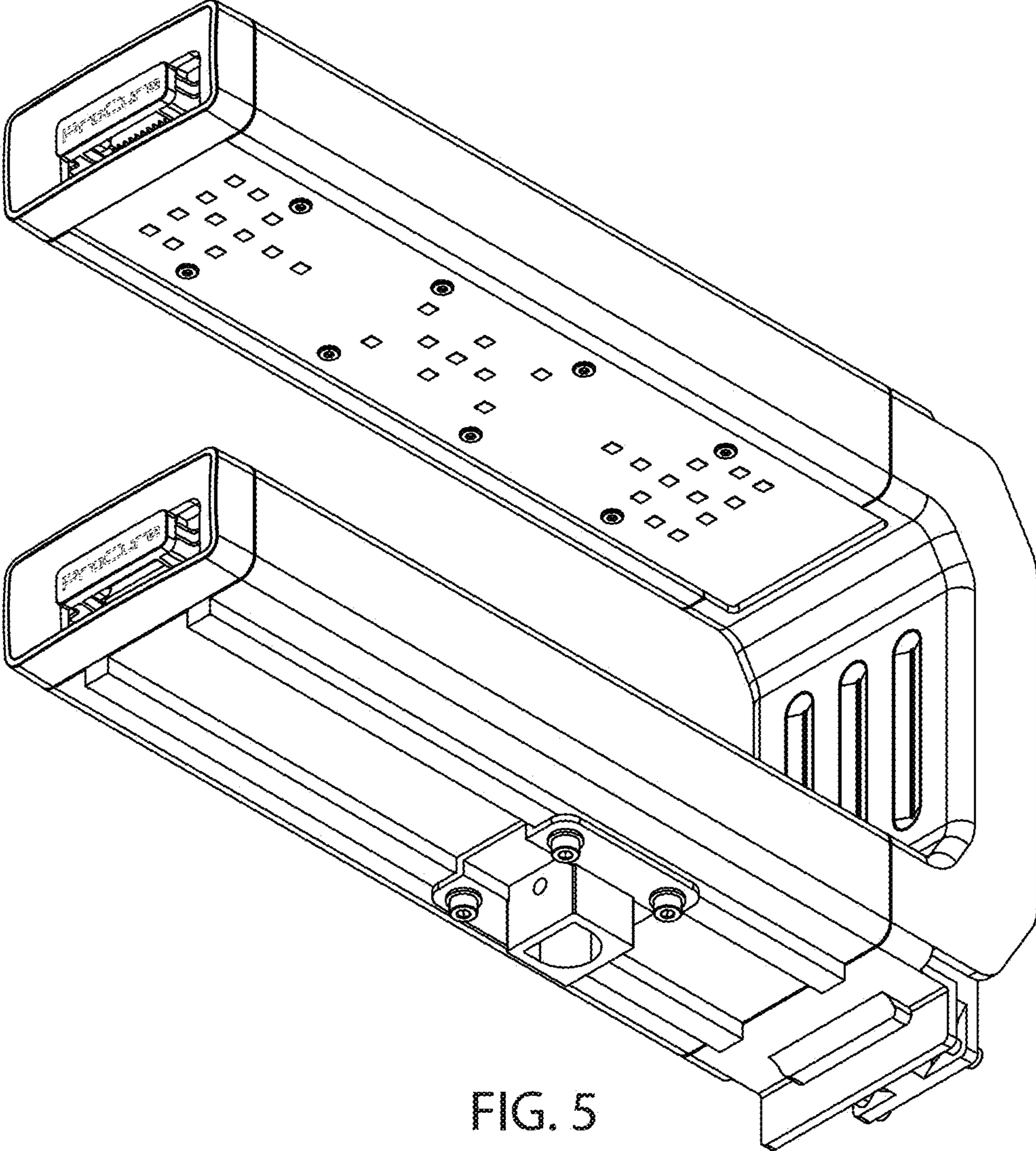


FIG. 5

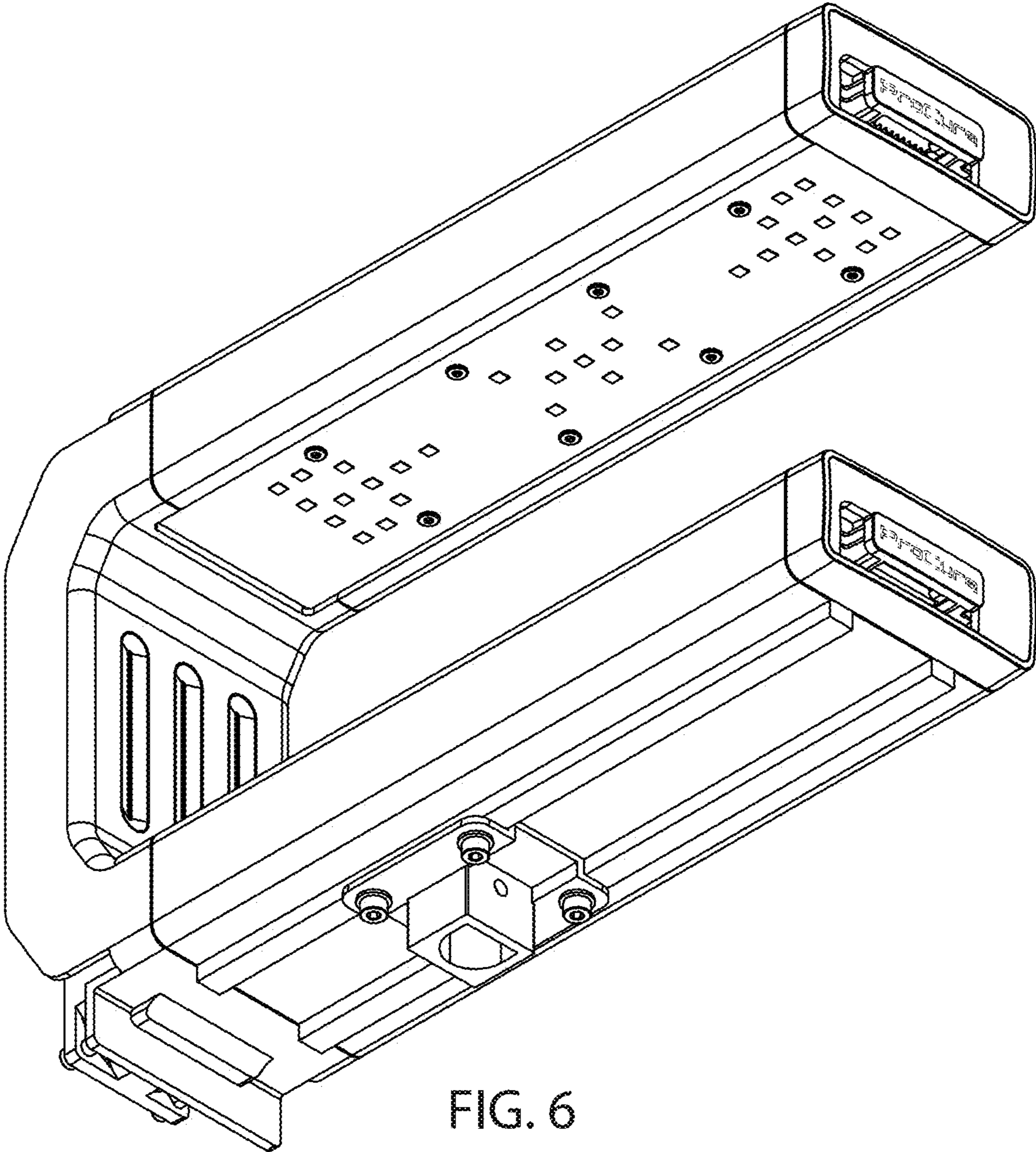


FIG. 6

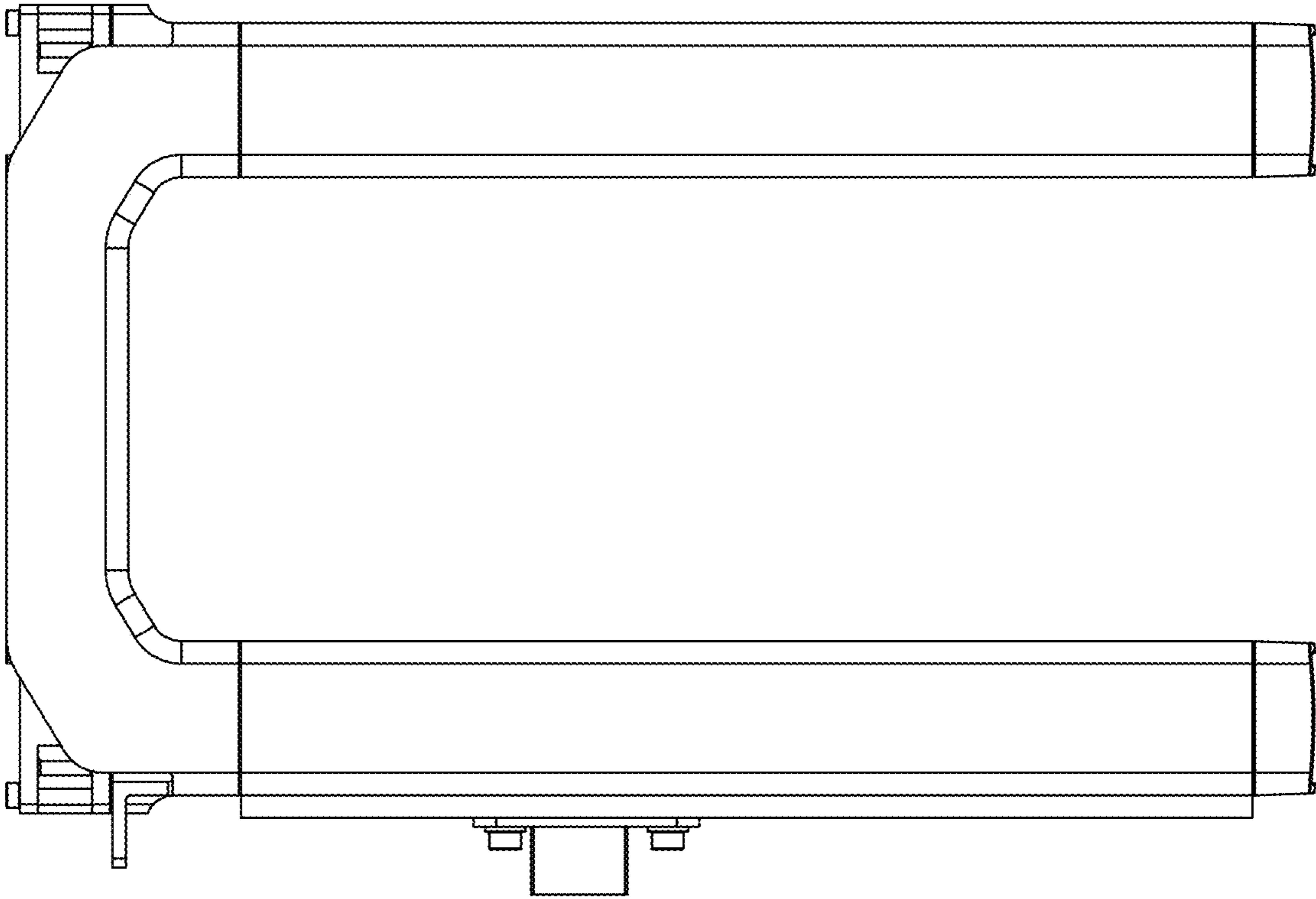


FIG. 7

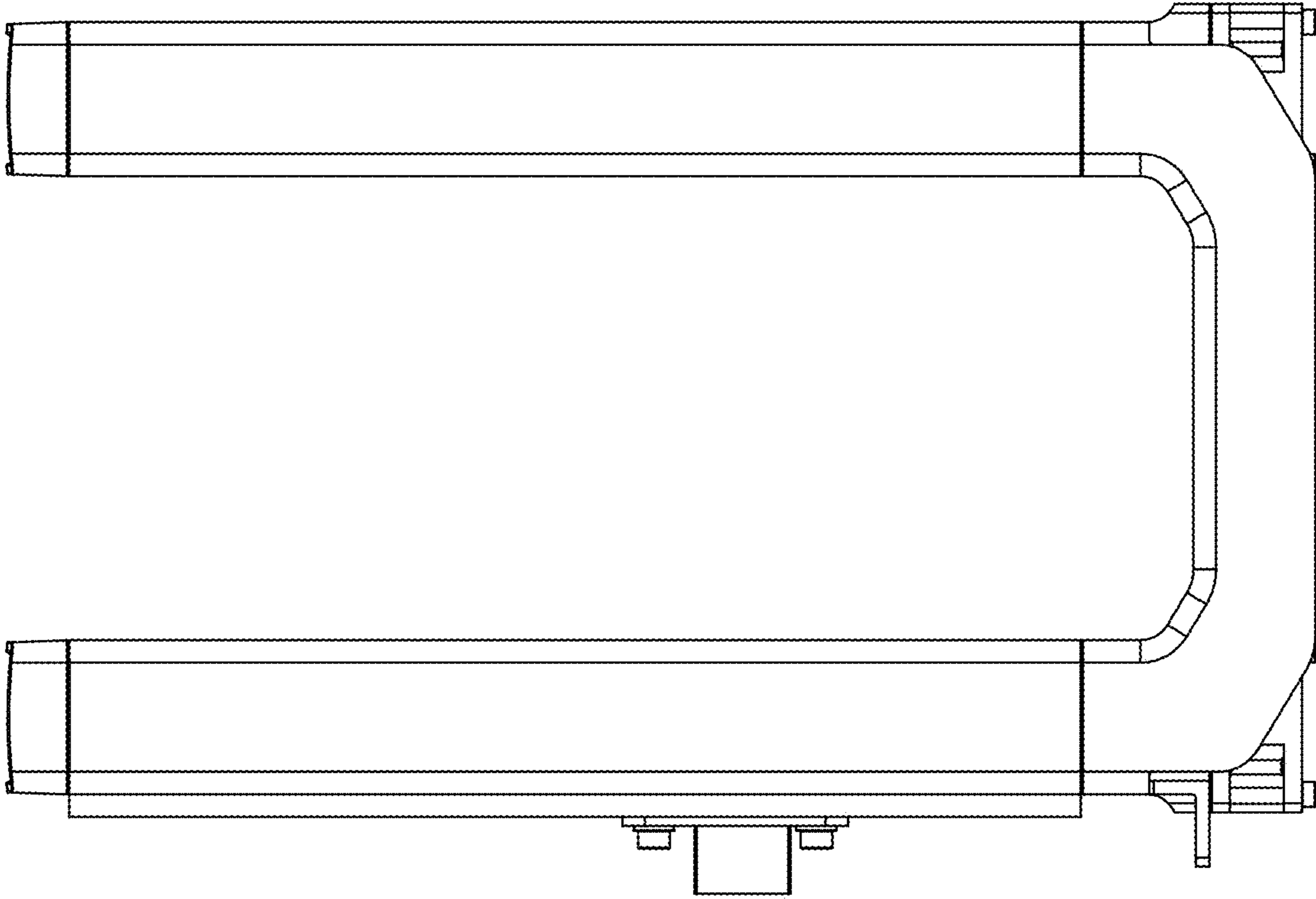


FIG. 8

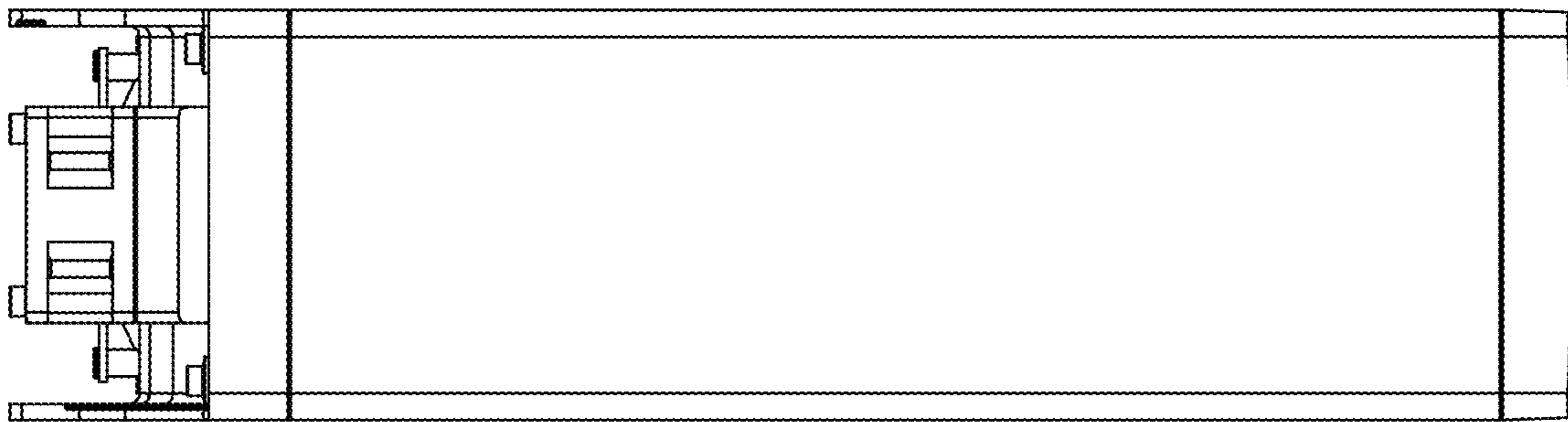


FIG. 9

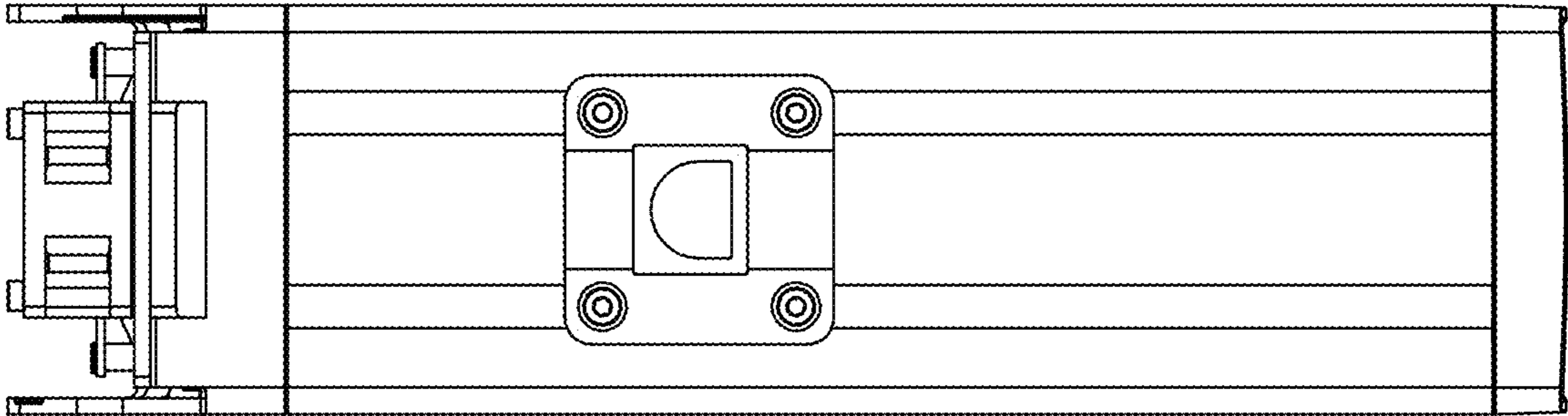


FIG. 10

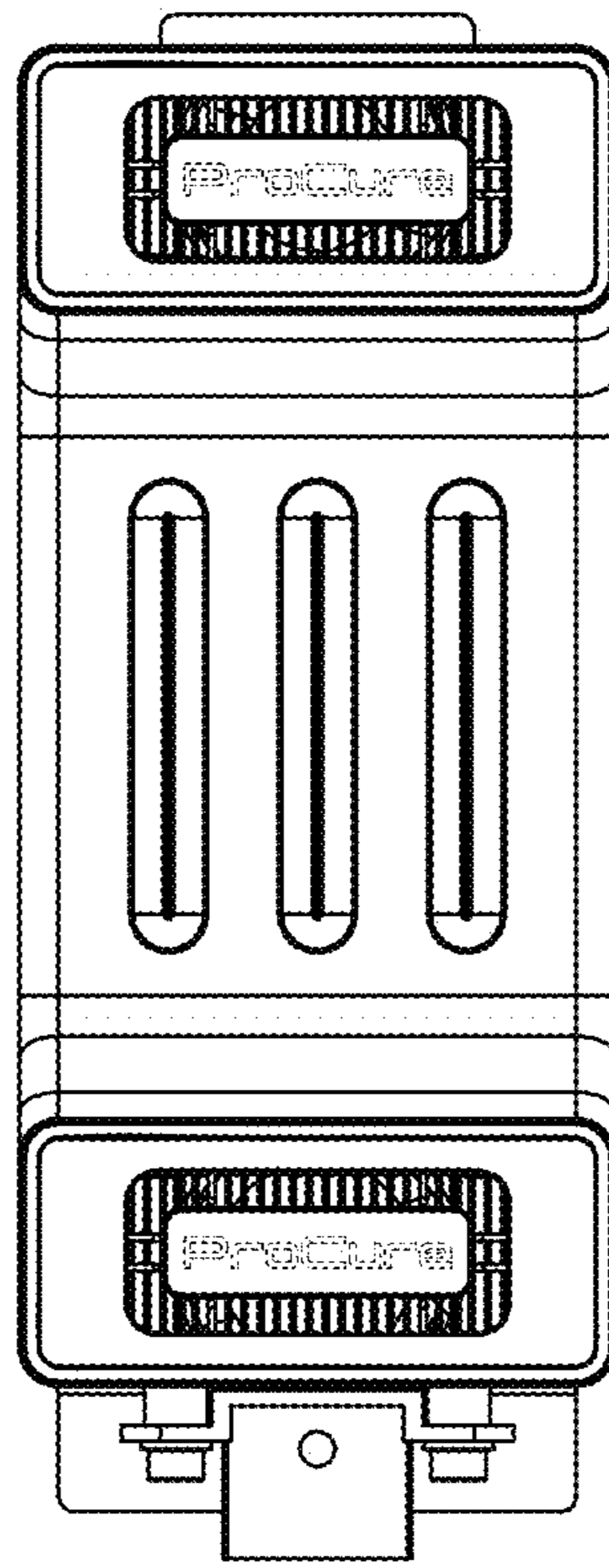


FIG. 11

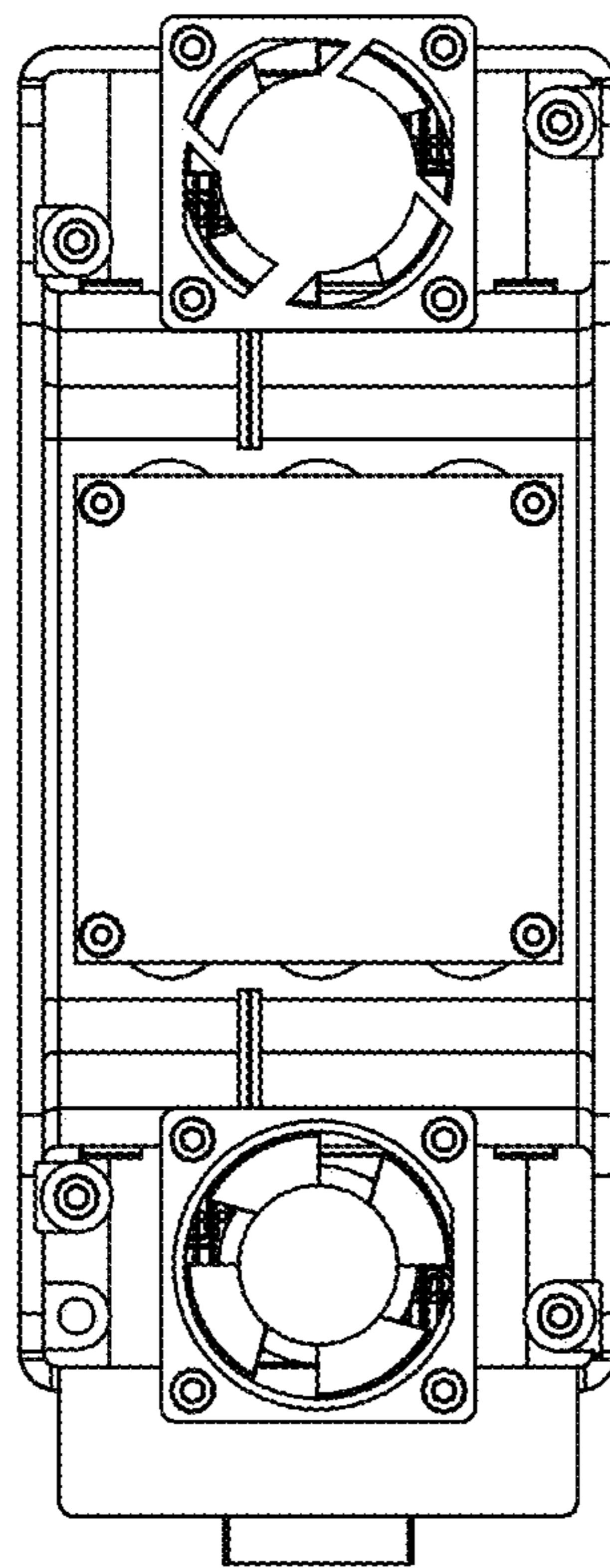


FIG. 12