



US00D979102S

(12) **United States Design Patent** (10) **Patent No.:** **US D979,102 S**  
**DeGraan** (45) **Date of Patent:** **\*\* Feb. 21, 2023**

(54) **ROOF FLASHING**

(71) Applicant: **Aztec Manufacturing, Inc.**, Poway, CA (US)

(72) Inventor: **Matthew DeGraan**, Poway, CA (US)

(73) Assignee: **Aztec Manufacturing, Inc.**, Poway, CA (US)

(\*\*) Term: **15 Years**

(21) Appl. No.: **29/799,245**

(22) Filed: **Jul. 13, 2021**

(51) **LOC (14) Cl.** ..... **25-99**

(52) **U.S. Cl.**  
USPC ..... **D25/199**

(58) **Field of Classification Search**  
USPC ..... D25/199  
CPC ..... E04D 13/1476; E04D 13/1422; E04D 13/147; E04D 13/1473; E04D 13/17; E04D 13/0481; E04D 13/143; E04D 2013/0486; F24F 7/02

See application file for complete search history.

(56) **References Cited**

U.S. PATENT DOCUMENTS

D389,254 S *	1/1998	Grubb .....	D25/199
D662,230 S *	6/2012	Cline .....	D25/199
9,169,648 B1 *	10/2015	Mills .....	E04D 13/1476
9,909,320 B2 *	3/2018	Vowles .....	E04D 13/1476

\* cited by examiner

*Primary Examiner* — Doris Clark

(74) *Attorney, Agent, or Firm* — Knobbe, Martens, Olson & Bear, LLP

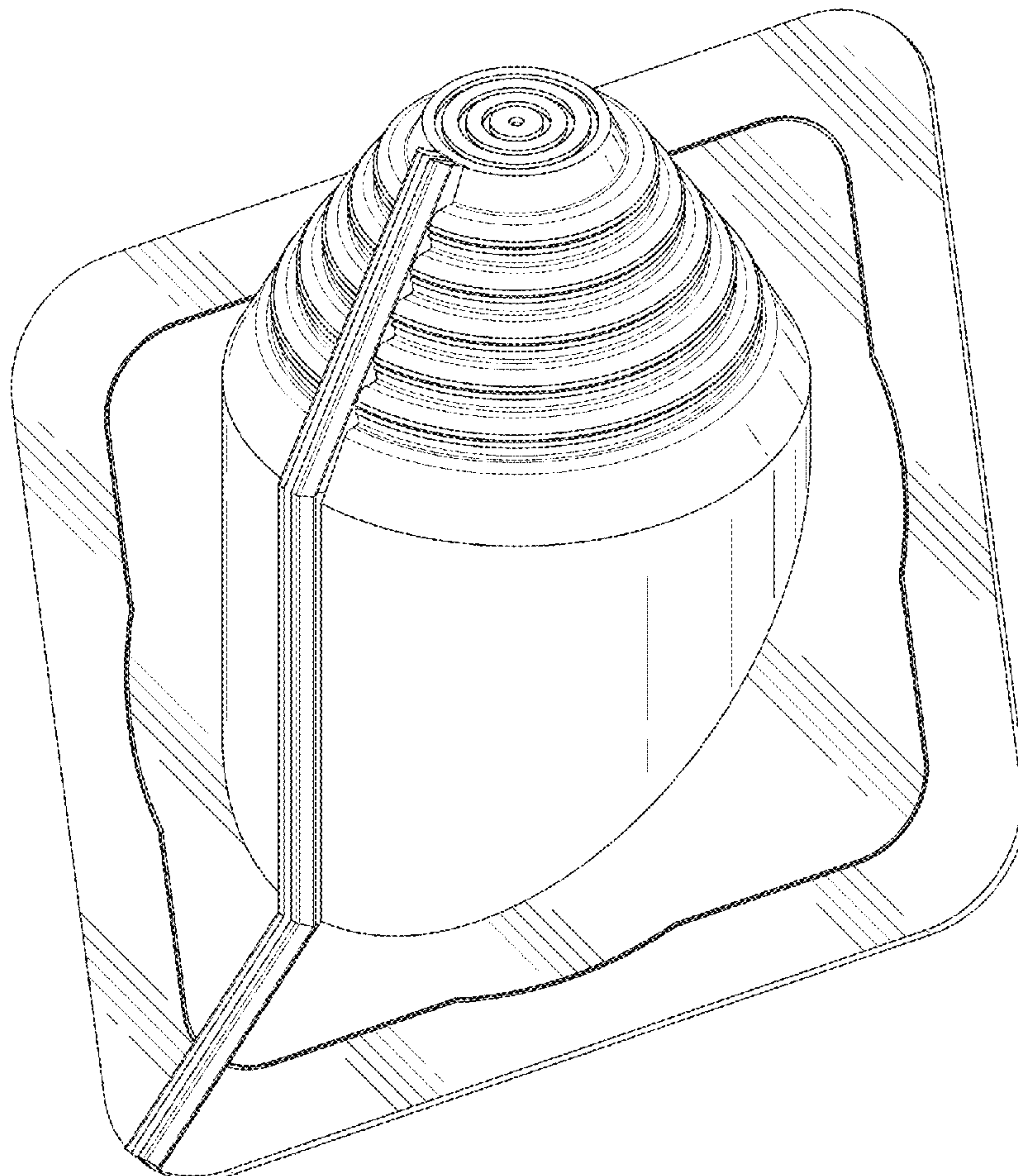
(57) **CLAIM**

The ornamental design for a roof flashing, as shown and described.

**DESCRIPTION**

FIG. 1 is a front, left, top perspective view of a roof flashing of my design;  
 FIG. 2 is a rear, right, bottom perspective view thereof;  
 FIG. 3 is a front view thereof;  
 FIG. 4 is a rear view thereof;  
 FIG. 5 is a right-side view thereof;  
 FIG. 6 is a left-side view thereof;  
 FIG. 7 is a top view thereof; and,  
 FIG. 8 is a bottom view thereof.

**1 Claim, 8 Drawing Sheets**



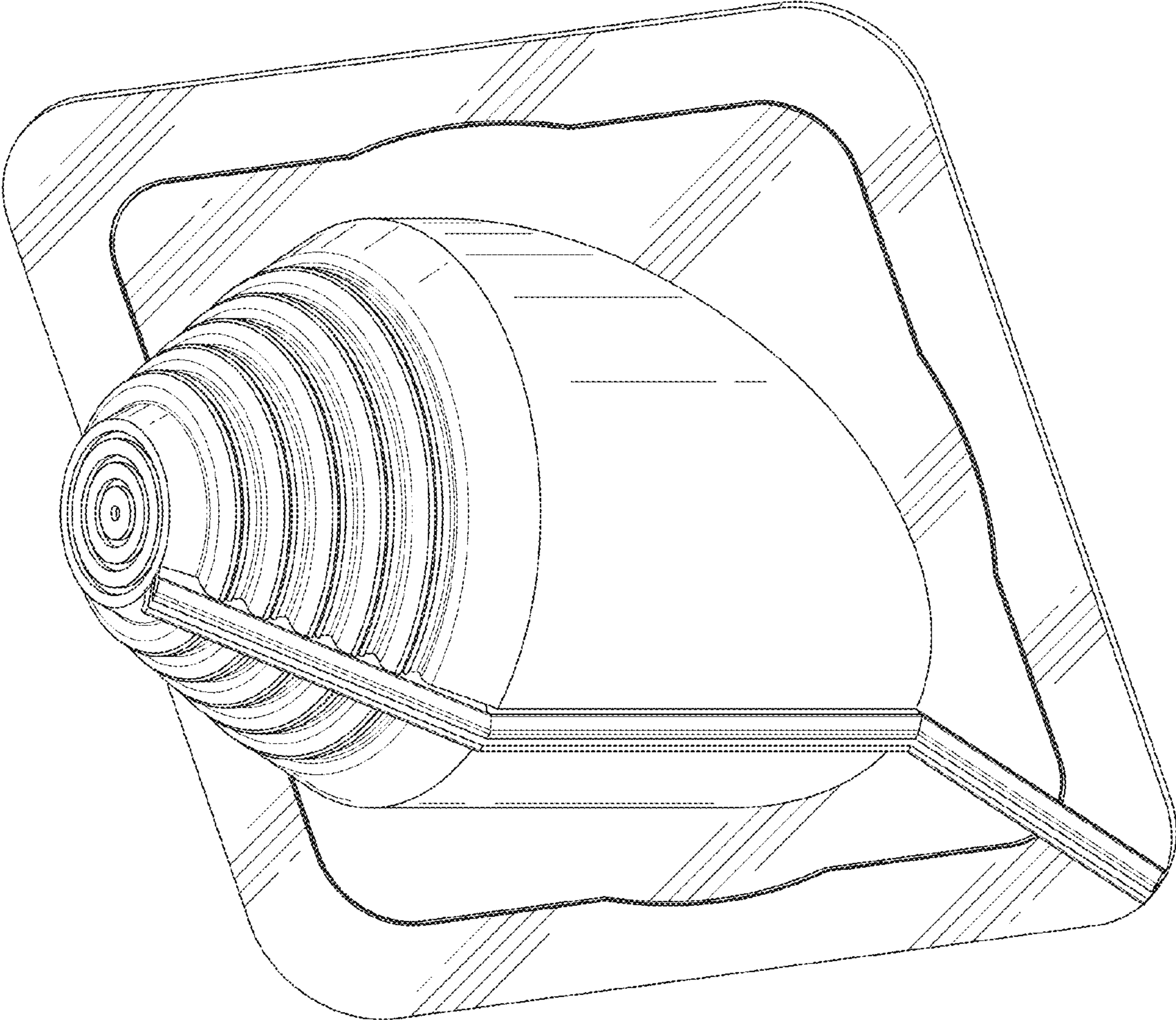


FIG. 1



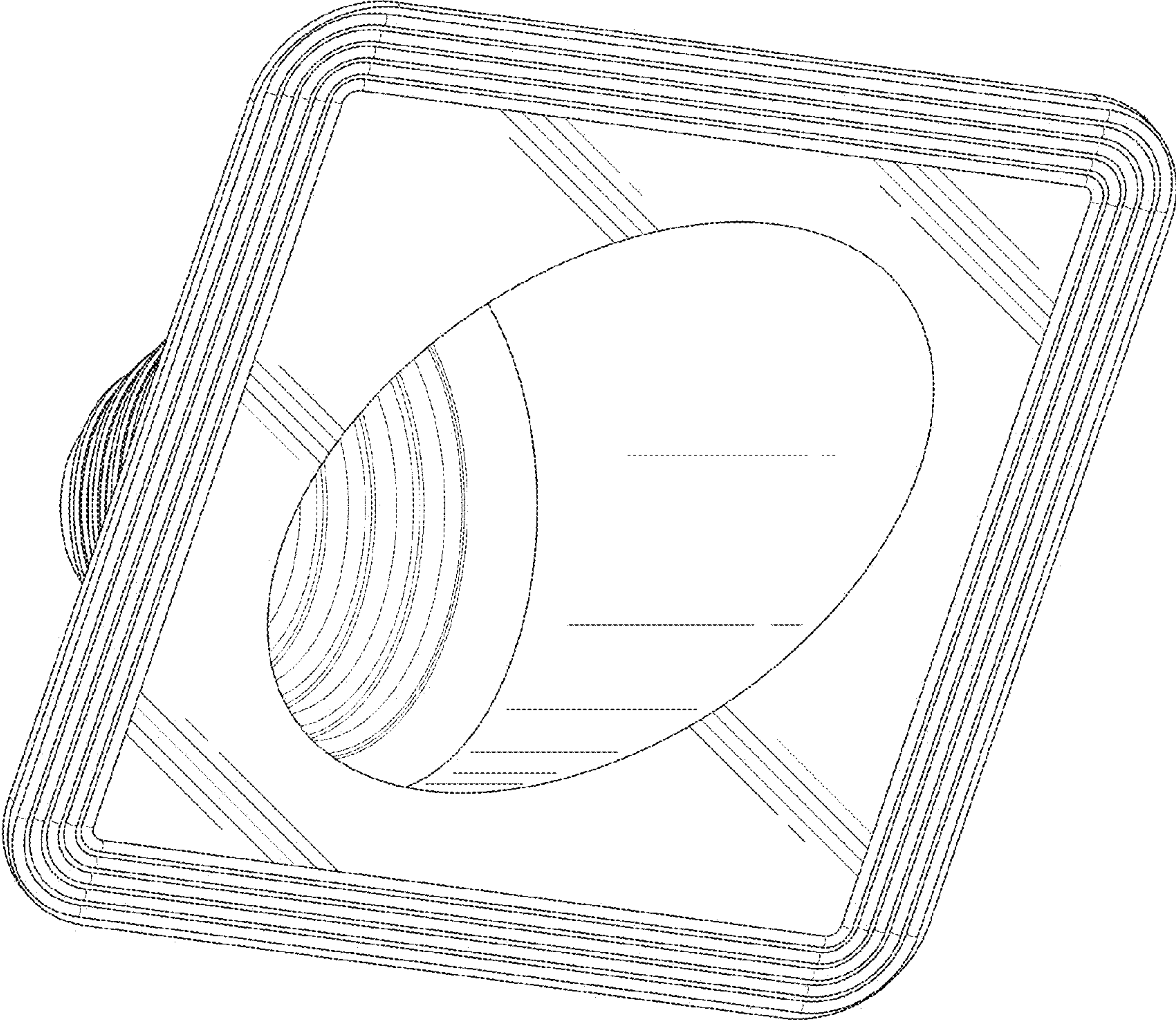


FIG. 2

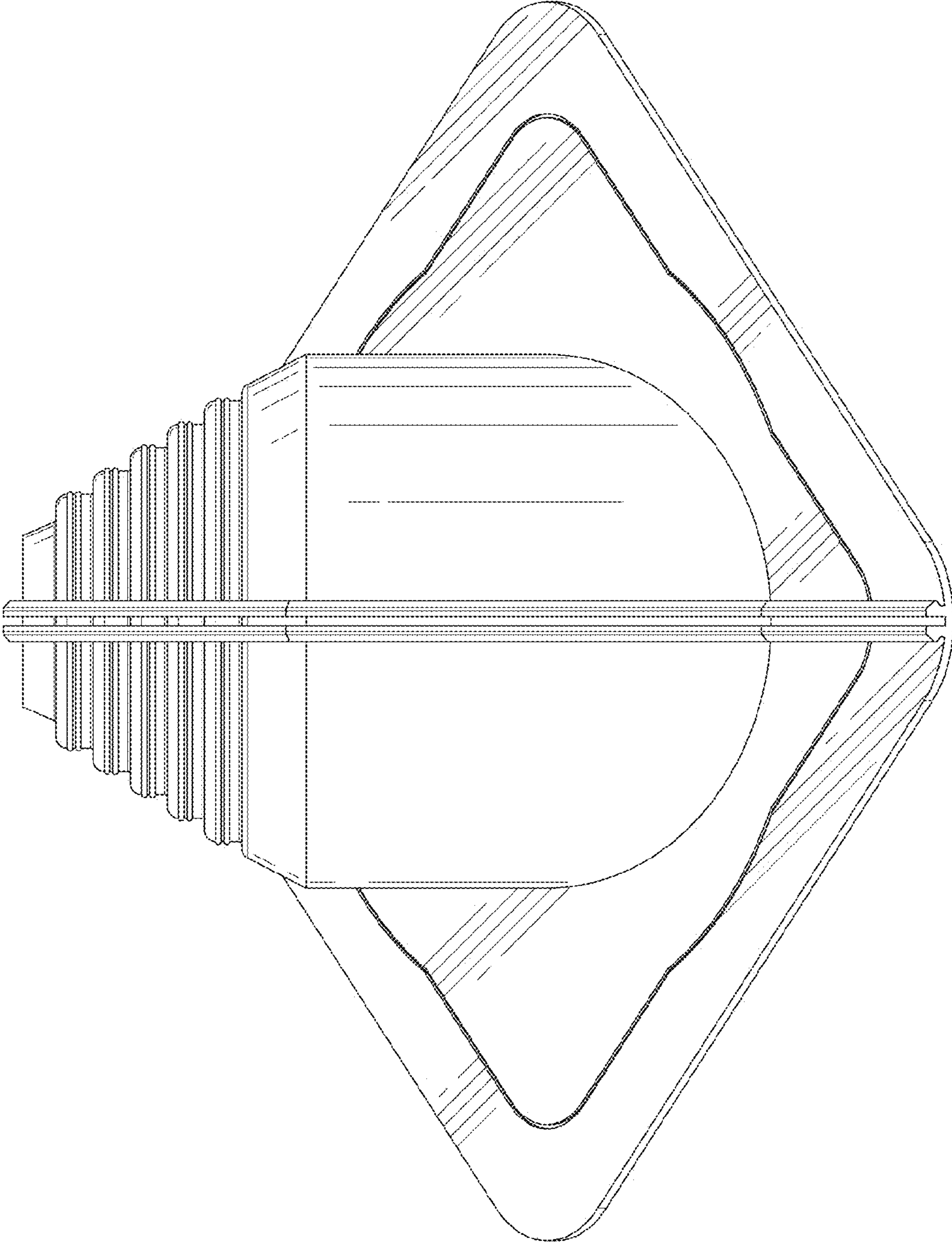


FIG. 3

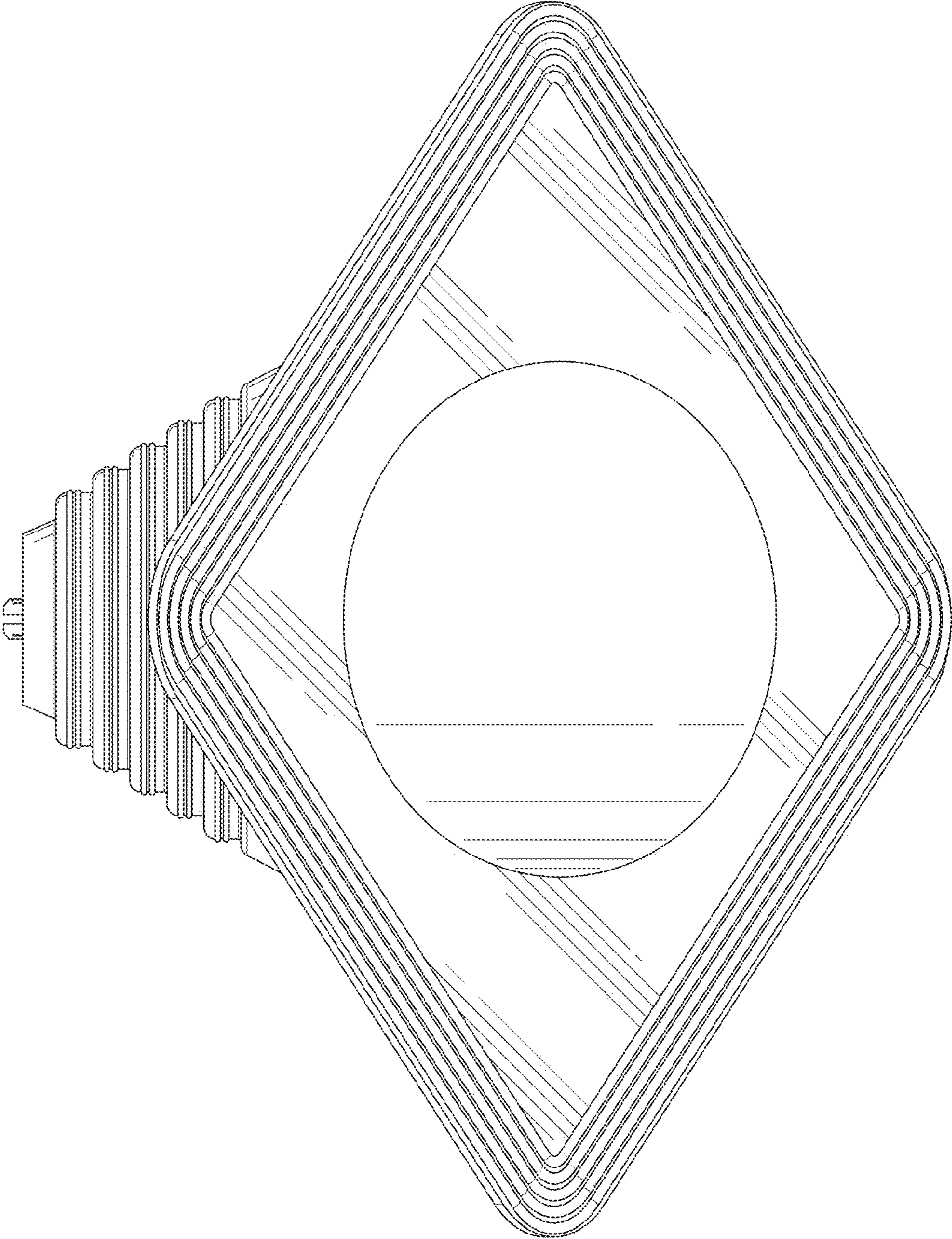


FIG. 4



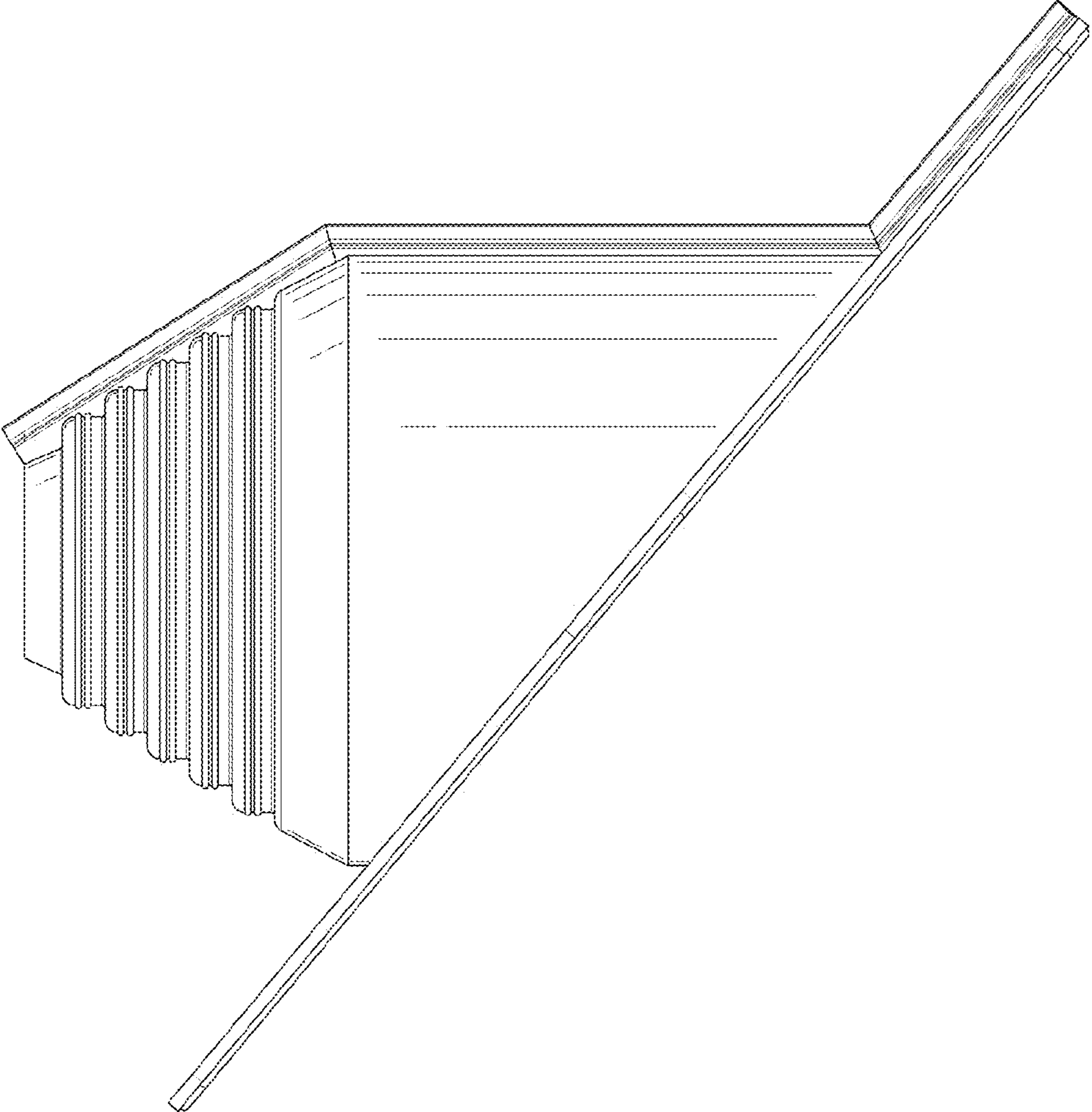


FIG. 5

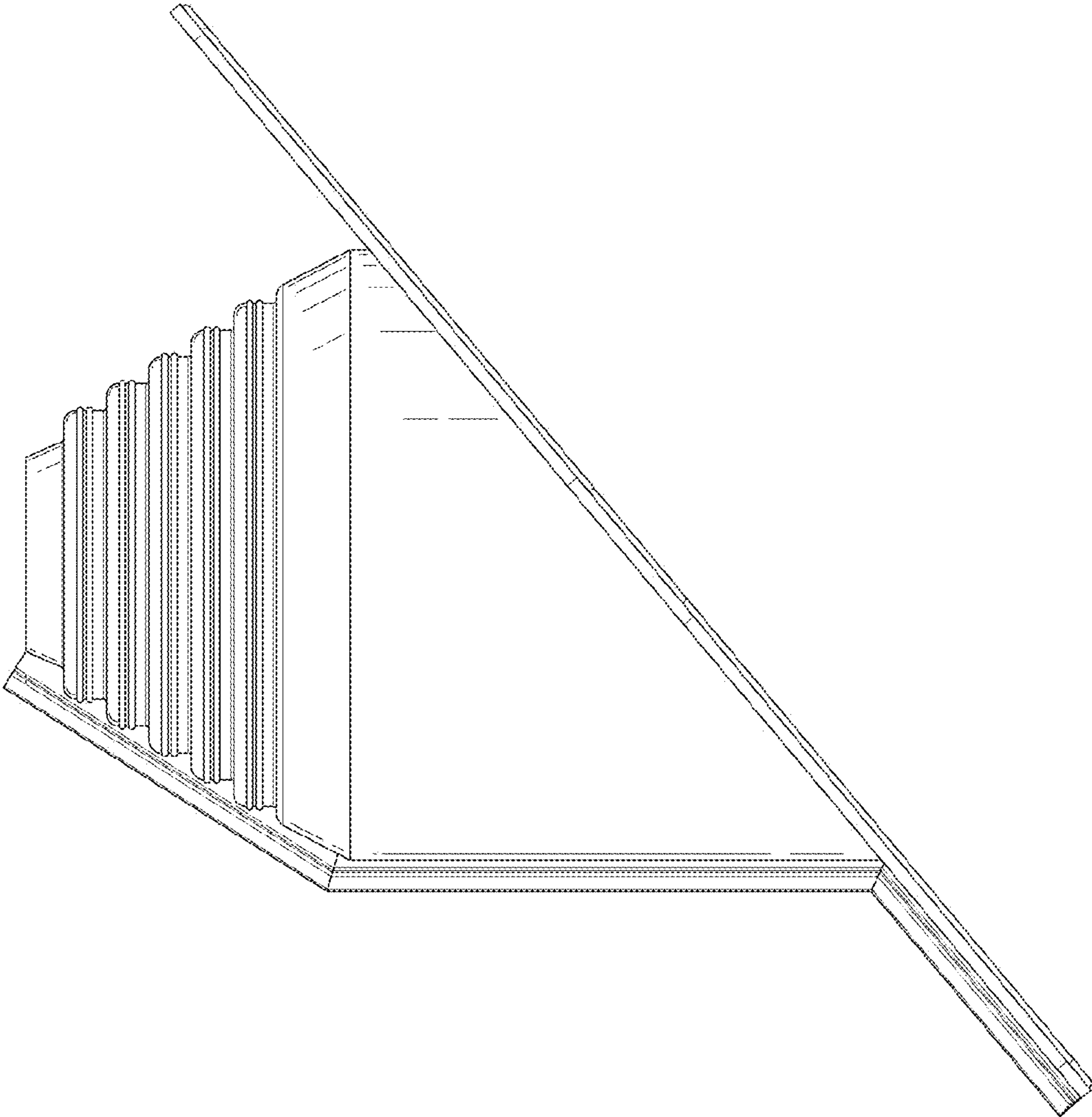


FIG. 6

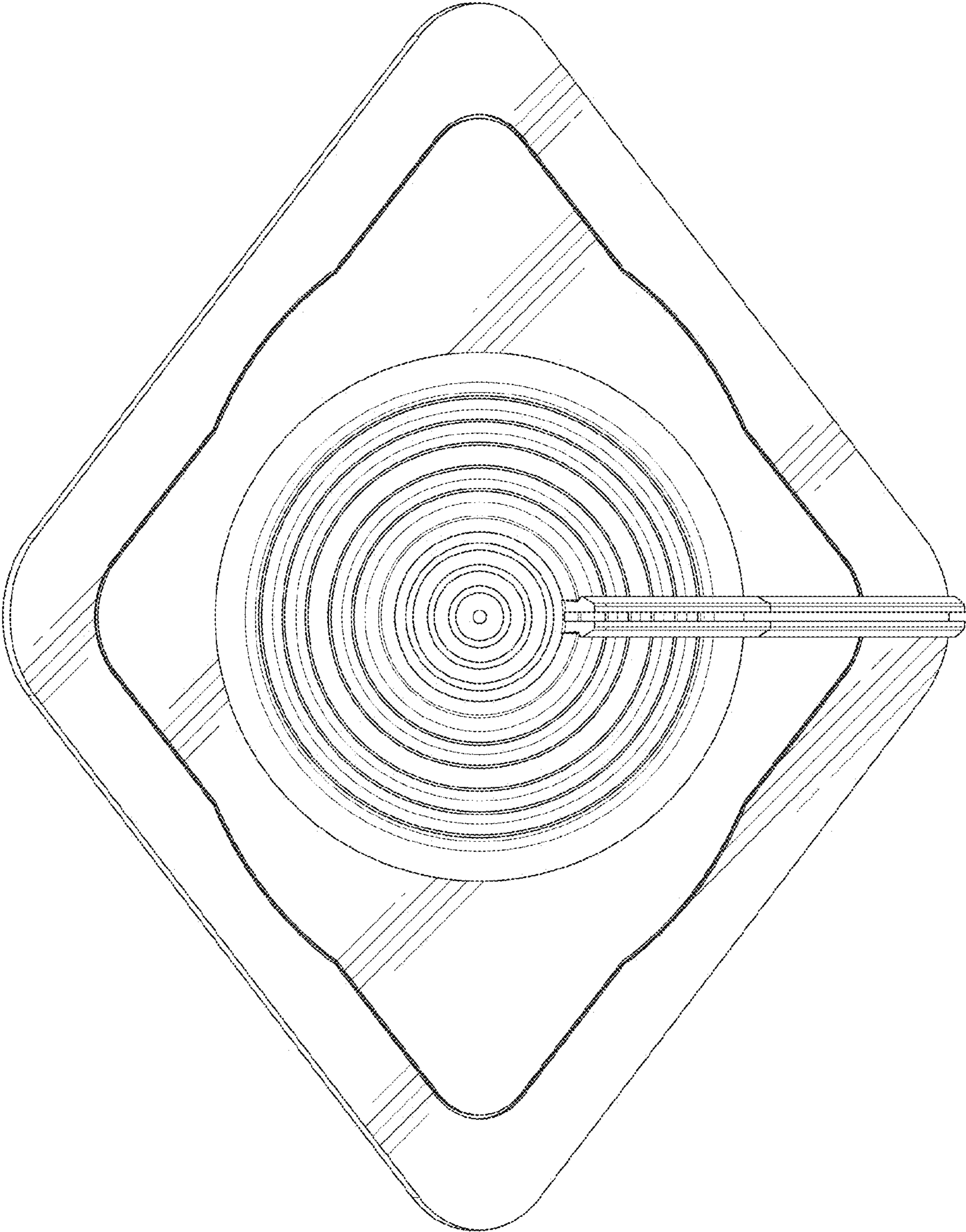


FIG. 7



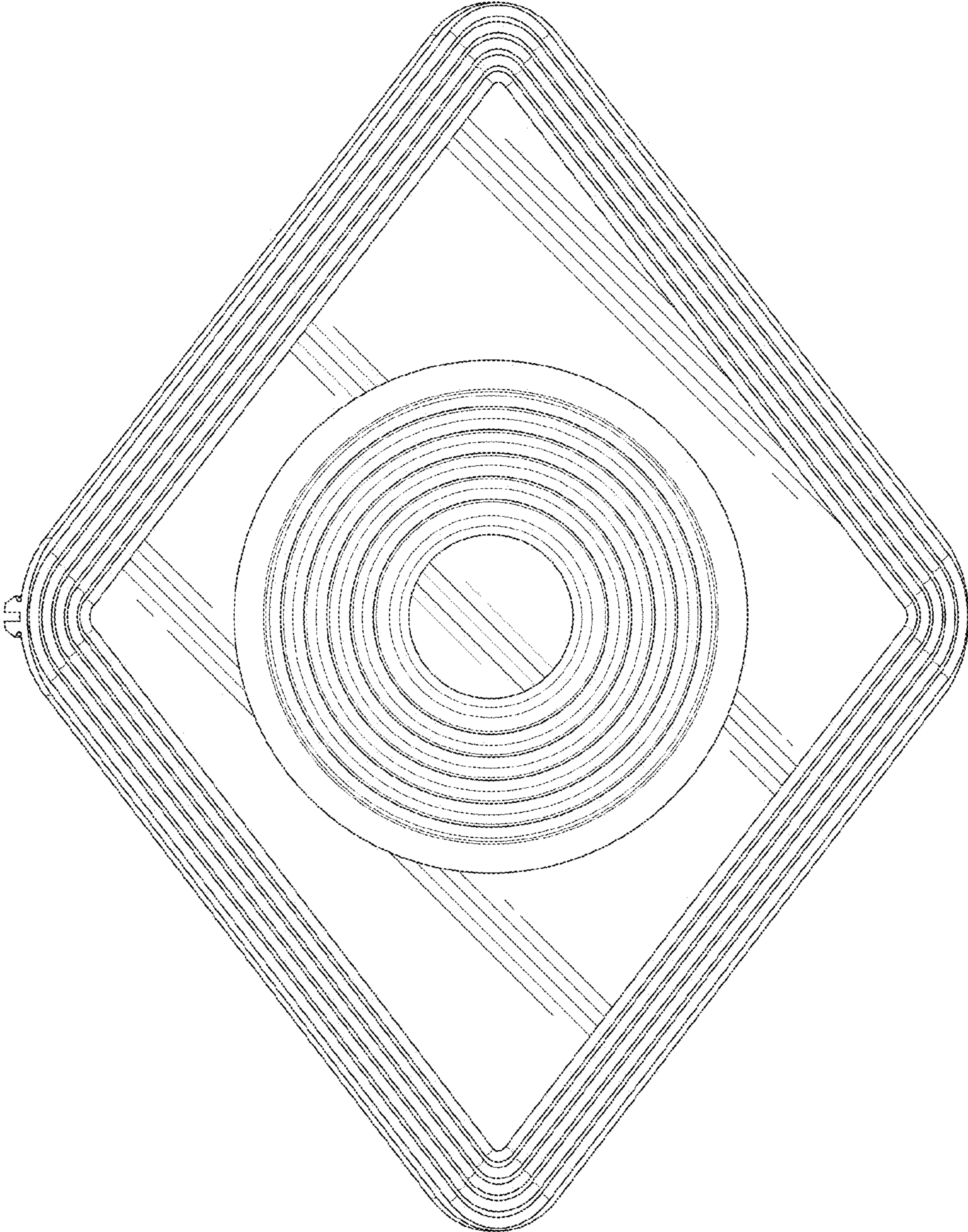


FIG. 8