



US00D979101S

(12) **United States Design Patent** (10) **Patent No.:** **US D979,101 S**  
**Sexton et al.** (45) **Date of Patent:** **\*\* Feb. 21, 2023**

(54) **SIDING PANEL**

(56) **References Cited**

(71) Applicant: **CERTAINEED LLC**, Malvern, PA (US)  
(72) Inventors: **Neil J. Sexton**, Jackson, MI (US);  
**Brian W. Kirn**, Hatboro, PA (US);  
**Ryan Lee Applegate**, Jerome, MI (US)  
(73) Assignee: **CERTAINEED LLC**, Malvern, PA (US)  
(\*\*) Term: **15 Years**

U.S. PATENT DOCUMENTS

1,570,516 A 1/1926 Miller  
1,579,693 A 4/1926 Finkeldey  
3,001,332 A 9/1961 Wilder  
3,159,943 A 12/1964 Sugar et al.  
3,248,835 A 5/1966 Westlind  
3,485,004 A 12/1969 Mattes  
3,520,099 A 7/1970 Mattes  
4,187,661 A 2/1980 Poiry  
4,274,236 A 6/1981 Kessler

(Continued)

(21) Appl. No.: **29/791,271**  
(22) Filed: **Jan. 6, 2022**

OTHER PUBLICATIONS

NY New York Siding / Westchester siding / Putman siding / Contractors (on-line), dated Mar. 3, 2010, 5 pages. [https://web.archive.org/web/20100303200906 http://www.sidingny.com](https://web.archive.org/web/20100303200906/http://www.sidingny.com).

(Continued)

**Related U.S. Application Data**

(62) Division of application No. 29/700,060, filed on Jul. 31, 2019, now Pat. No. Des. 943,120, which is a division of application No. 29/643,823, filed on Apr. 12, 2018, now Pat. No. Des. 863,604, which is a division of application No. 29/505,560, filed on Dec. 23, 2015, now Pat. No. Des. 818,151.

*Primary Examiner* — Kimberly Barnes

(74) *Attorney, Agent, or Firm* — Abel Schillinger, LLP; Thomas H. Osborn

(51) **LOC (14) Cl.** ..... **25-01**  
(52) **U.S. Cl.**  
USPC ..... **D25/141**

(57) **CLAIM**

The ornamental design for a siding panel, as shown and described.

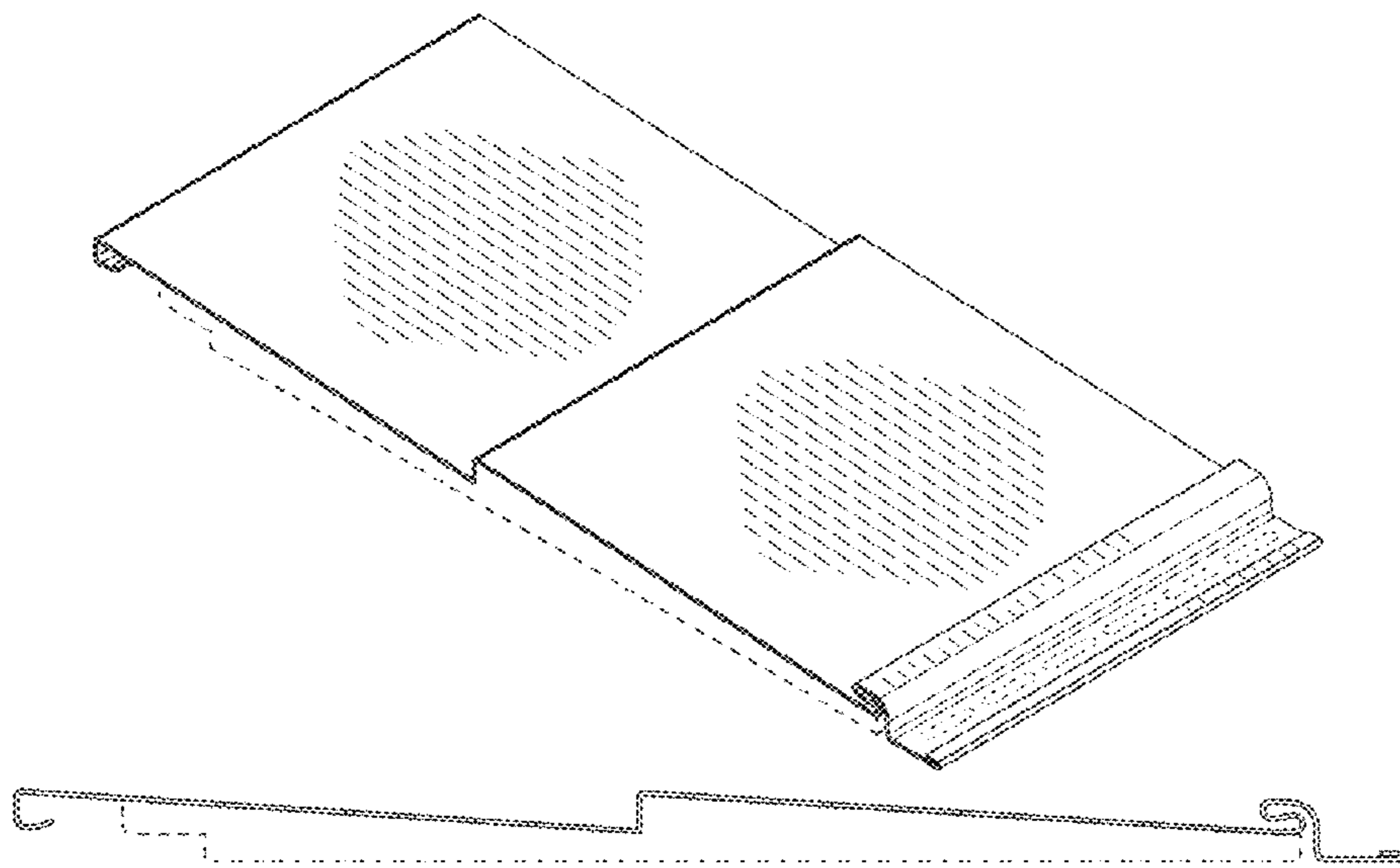
(58) **Field of Classification Search**  
USPC ..... D25/138-141  
CPC .... E04D 1/00; E04D 1/06; E04D 1/12; E04D 1/18; E04D 3/00; E04D 3/16; E04D 3/24; E04D 3/30; E04D 3/361; E04D 3/362; E04D 3/363; E04F 2201/0115; E04F 13/08; E04F 13/0862; E04F 13/0866; E04F 13/0871; E04F 13/0876; E04F 13/0878; E04F 13/0889; E04F 13/09; E04F 13/0864; E04C 2002/004; E04C 2002/005; E04C 2/38; E04C 2/40; E04C 2/08; E04C 2/30

**DESCRIPTION**

FIG. 1 is a top front isometric view of a siding panel showing our new design.  
FIG. 2 is a front view of FIG. 1.  
FIG. 3 is a rear view of FIG. 1.  
FIG. 4 is a right side view of FIG. 1.  
FIG. 5 is a left side view of FIG. 1.  
FIG. 6 is a top view of FIG. 1; and,  
FIG. 7 is a bottom view of FIG. 1.  
The broken lines in the drawings depict portions of the siding panel that form no part of the claimed design.

See application file for complete search history.

**1 Claim, 5 Drawing Sheets**



(56)

References Cited

U.S. PATENT DOCUMENTS

4,506,486 A 3/1985 Culpepper, Jr. et al.  
 4,598,522 A 7/1986 Hoofe, III  
 4,649,008 A \* 3/1987 Johnstone ..... B29C 48/905  
 428/101  
 4,680,911 A \* 7/1987 Davis ..... E04F 13/0864  
 52/519  
 4,782,638 A 11/1988 Hovind  
 4,864,787 A 9/1989 Bukowski  
 4,864,788 A 9/1989 Tippmann  
 5,150,555 A 9/1992 Wood  
 5,363,623 A 11/1994 King  
 5,465,543 A 11/1995 Seifert  
 5,475,963 A 12/1995 Chelednik  
 5,548,940 A 8/1996 Baldock  
 5,575,127 A 11/1996 O'Neal  
 5,651,227 A 7/1997 Anderson  
 5,661,939 A 9/1997 Coulis et al.  
 5,768,844 A 6/1998 Grace, Sr. et al.  
 5,857,303 A 1/1999 Beck et al.  
 6,029,415 A 2/2000 Culpepper et al.  
 6,065,260 A 5/2000 Dickey et al.  
 D448,865 S 10/2001 Manning  
 D450,138 S 11/2001 Barber  
 6,321,500 B1 11/2001 Manning et al.  
 D452,334 S 12/2001 Gilbert et al.  
 6,341,463 B1 1/2002 Dickey et al.  
 6,341,464 B1 1/2002 Dickey et al.  
 6,363,676 B1 4/2002 Martion, III  
 6,370,832 B1 4/2002 McGarry et al.  
 6,415,574 B2 7/2002 Beck  
 D471,292 S 3/2003 Barber  
 6,526,718 B2 3/2003 Manning et al.  
 6,907,702 B2 6/2005 Gilbert et al.  
 6,971,211 B1 12/2005 Zehner  
 7,040,067 B2 5/2006 Mowery et al.  
 D530,833 S 10/2006 Robertson et al.  
 7,186,457 B1 3/2007 Zehner et al.  
 7,188,454 B2 3/2007 Mowery et al.  
 7,658,051 B2 2/2010 Benes  
 7,685,787 B1 3/2010 Mollinger et al.  
 7,712,276 B2 5/2010 Gilbert et al.  
 7,739,847 B2 6/2010 Grimman  
 7,779,594 B2 8/2010 Mowery et al.  
 7,908,814 B2 3/2011 Wilson et al.  
 7,934,352 B1 5/2011 Mollinger et al.  
 7,980,038 B2 7/2011 O'Neal  
 7,984,597 B2 7/2011 Mollinger et al.  
 8,006,455 B1 8/2011 Mollinger et al.  
 8,069,629 B2 12/2011 Rockwell et al.

8,091,313 B2 1/2012 Wilson et al.  
 8,225,567 B1 7/2012 Mollinger et al.  
 8,225,568 B1 7/2012 Mollinger et al.  
 8,225,573 B2 7/2012 Wilson et al.  
 8,336,269 B1 12/2012 Mollinger et al.  
 8,381,472 B1 2/2013 Fleenor  
 8,387,325 B2 3/2013 Mullet et al.  
 8,458,978 B2 6/2013 Mahaffey  
 8,511,030 B2 8/2013 Wilson et al.  
 8,621,811 B2 1/2014 Hartman  
 8,756,892 B2 6/2014 Wilson et al.  
 9,267,289 B2 2/2016 Vander Laan et al.  
 9,428,910 B2 8/2016 Olvey  
 D768,883 S 10/2016 Wade et al.  
 D792,615 S 7/2017 Steffes et al.  
 D818,151 S 5/2018 Sexton et al.  
 D827,159 S \* 8/2018 Anderson ..... D25/141  
 D831,233 S 10/2018 Anderson  
 D859,690 S \* 9/2019 Mann ..... D25/141  
 D861,195 S \* 9/2019 Wilkie ..... D25/141  
 D863,604 S 10/2019 Sexton et al.  
 D870,323 S \* 12/2019 Unzek Freiman ..... D25/141  
 D874,027 S \* 1/2020 Unzek Freiman ..... D25/141  
 10,544,593 B2 1/2020 Schultz et al.  
 D874,686 S \* 2/2020 Unzek Freiman ..... D25/141  
 10,753,099 B2 8/2020 O'Neal  
 10,787,818 B2 9/2020 Schultz et al.  
 10,822,807 B2 11/2020 Olvey et al.  
 10,920,428 B2 2/2021 Culpepper et al.  
 10,961,717 B2 3/2021 Donnelly  
 11,072,930 B2 \* 7/2021 Colyn ..... E04C 2/296  
 D928,348 S \* 8/2021 Moses, Jr. .... D25/139  
 11,131,097 B2 \* 9/2021 Bartel ..... E04B 1/62  
 11,198,525 B2 \* 12/2021 Schultz ..... B65D 19/44  
 D940,911 S \* 1/2022 Moses, Jr. .... D25/139  
 D943,120 S \* 2/2022 Sexton ..... D25/139  
 2012/0251227 A1 10/2012 Owens  
 2012/0285109 A1 11/2012 Mollinger et al.  
 2016/0047128 A1 2/2016 Yoder et al.  
 2018/0202167 A1 7/2018 Culpepper et al.  
 2019/0203479 A1 7/2019 Colyn  
 2021/0102382 A1 \* 4/2021 Shaw ..... E04F 13/12  
 2021/0222865 A1 \* 7/2021 Beck ..... E04F 13/0862  
 2021/0246665 A1 \* 8/2021 Bartel ..... B29C 48/0017

OTHER PUBLICATIONS

Insulated Siding—Cedarboards Colors and Styles / CertainTeed (on-line). <https://www.certainteed.com/siding/insulated-sliding-colors-styles>, (3 Pages).

\* cited by examiner

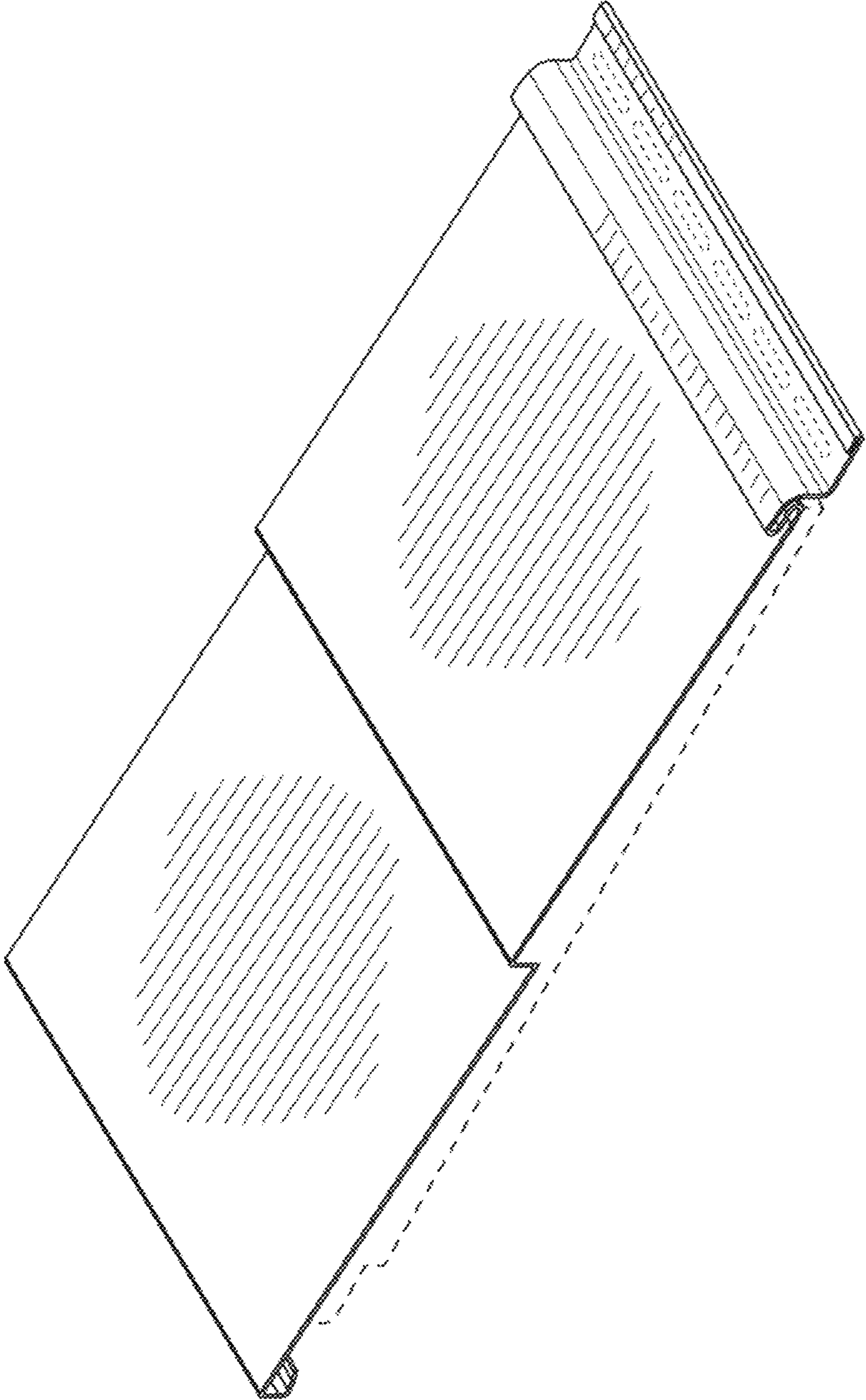


FIG. 1





FIG. 3

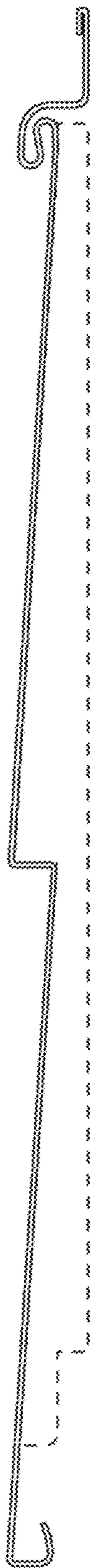


FIG. 4

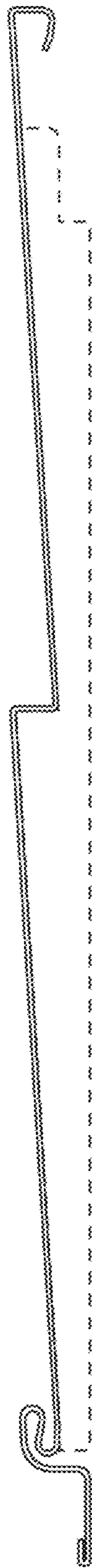
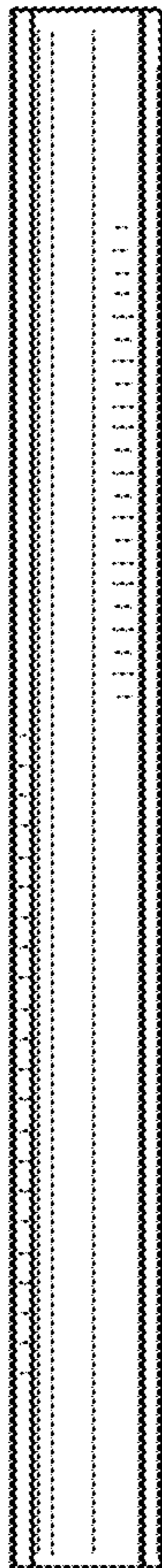
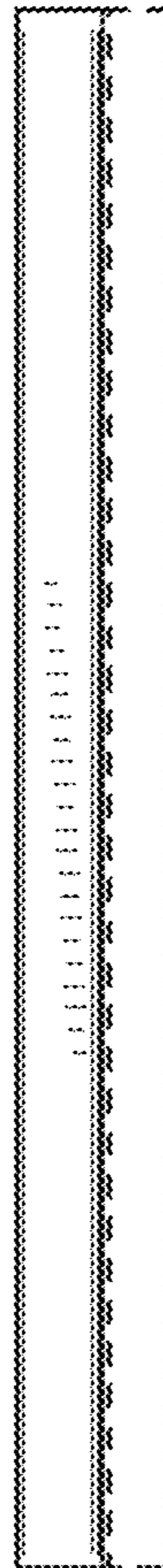


FIG. 5



*FIG. 6*



*FIG. 7*