



US00D979097S

(12) **United States Design Patent** (10) **Patent No.:** **US D979,097 S**
Boyer (45) **Date of Patent:** **** Feb. 21, 2023**

(54) **FOLDABLE STEP STOOL** 7,383,920 B2 6/2008 Meeker
D576,291 S * 9/2008 Latimer D25/65
(71) Applicant: **DOREL HOME FURNISHINGS, INC.**, Wright City, MO (US) 7,849,967 B2 12/2010 Gibson et al.
7,861,826 B2 1/2011 Meyers et al.
7,967,111 B2 6/2011 Meyers et al.
(72) Inventor: **Jason A. Boyer**, Columbus, IN (US) 7,984,790 B2 7/2011 Meyers et al.
10,058,187 B2 8/2018 Gibson
D838,386 S * 1/2019 Woodward D25/64
(73) Assignee: **DOREL HOME FURNISHINGS, INC.**, Wright City, MO (US) D889,690 S * 7/2020 Lang D25/65
(Continued)

(**) Term: **15 Years**

FOREIGN PATENT DOCUMENTS

(21) Appl. No.: **29/746,180** WO 2016-209646 A1 12/2016

(22) Filed: **Aug. 12, 2020**

OTHER PUBLICATIONS

(51) **LOC (14) Cl.** **25-04**
(52) **U.S. Cl.**
USPC **D25/65**
(58) **Field of Classification Search**
USPC D25/62-65, 69; 182/33, 156
CPC E06C 1/393; E06C 1/387; E06C 1/383;
E06C 7/00
See application file for complete search history.

PCT International Search Report and Written Opinion completed by the ISA/KR dated Sep. 13, 2021 and issued in connection with PCT/US2021/035943.

Primary Examiner — Gino Colan
(74) *Attorney, Agent, or Firm* — Barnes & Thornburg LLP

(56) **References Cited**

(57) **CLAIM**

U.S. PATENT DOCUMENTS

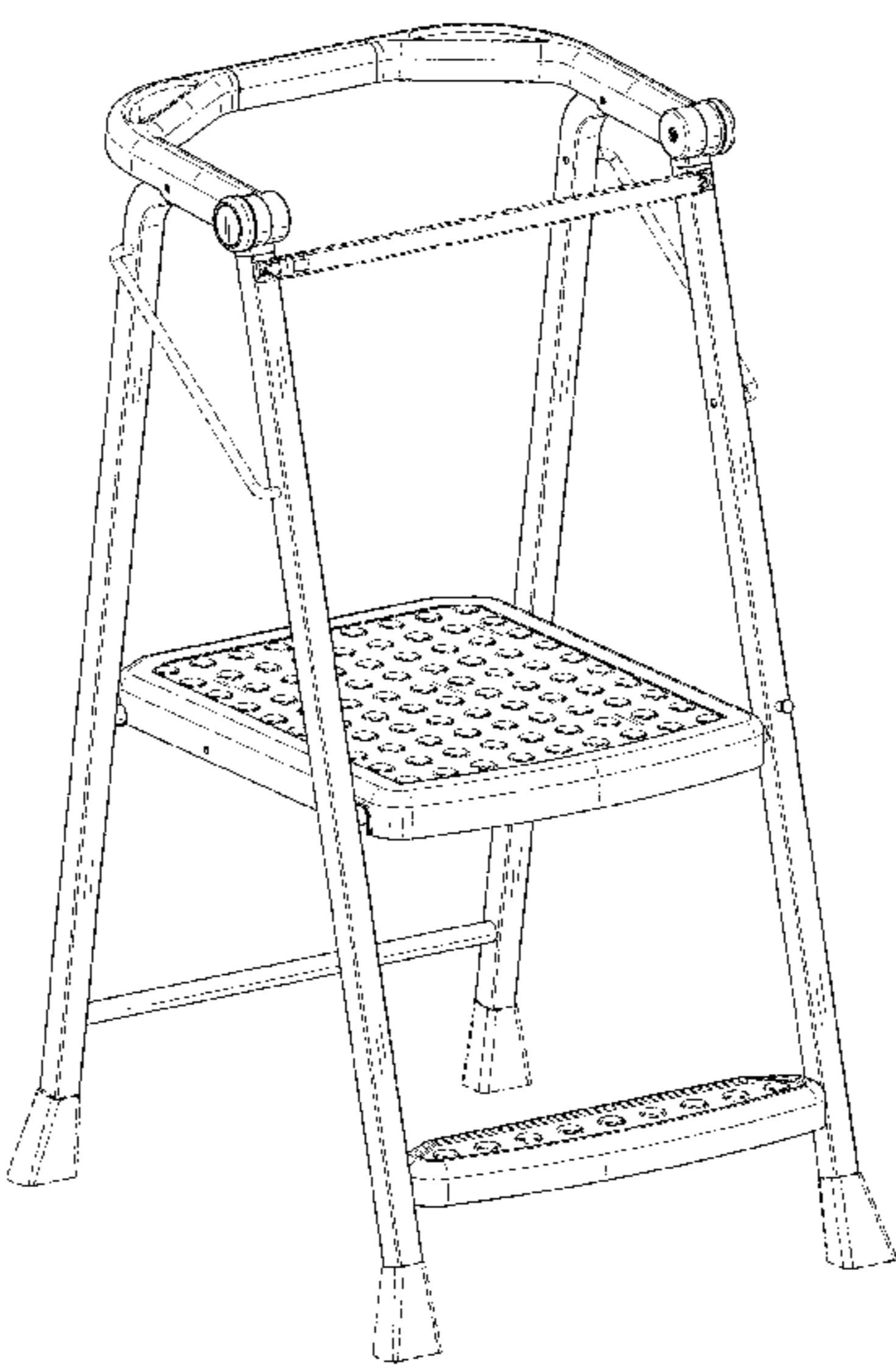
The ornamental design for a foldable step stool, as shown and described.

D388,882 S 1/1998 Kain
5,722,507 A 3/1998 Kain
D433,156 S 10/2000 Gibson et al.
D434,855 S * 12/2000 Ullum D25/65
D444,574 S 7/2001 Gibson et al.
D447,572 S * 9/2001 Rosko D25/65
D455,842 S 4/2002 Rosko
6,427,805 B1 8/2002 Gibson et al.
6,454,050 B2 9/2002 Gibson et al.
D465,289 S 11/2002 Gibson et al.
D466,225 S 11/2002 Rosko
6,769,515 B2 8/2004 Hillebrecht et al.
6,902,035 B2 6/2005 Baumgartner et al.
6,986,405 B2 1/2006 Meeker
7,108,103 B2 9/2006 Meeker
7,182,176 B2 2/2007 Gibson et al.
D562,991 S 2/2008 Meyers et al.
D565,745 S * 4/2008 Meyers D25/65

DESCRIPTION

FIG. 1 is a front perspective view of a foldable step stool; FIG. 2 is a rear elevational view thereof; FIG. 3 is a front elevational view thereof; FIG. 4 is a left side elevational view thereof; FIG. 5 is right side elevational view thereof; FIG. 6 is a top view thereof; FIG. 7 is a bottom view thereof; and, FIG. 8 is a bottom perspective view thereof. The broken lines shown in the drawing views are included for the purpose of illustrating environmental structure and form no part of the claimed design.

1 Claim, 8 Drawing Sheets



(56)

References Cited

U.S. PATENT DOCUMENTS

2005/0005648	A1	1/2005	Walsh
2005/0025272	A1	2/2005	Becker et al.
2015/0000807	A1	1/2015	Chen
2018/0035476	A1	2/2018	Altizer
2019/0330928	A1	10/2019	Boyer
2020/0165869	A1	5/2020	Brown et al.

* cited by examiner

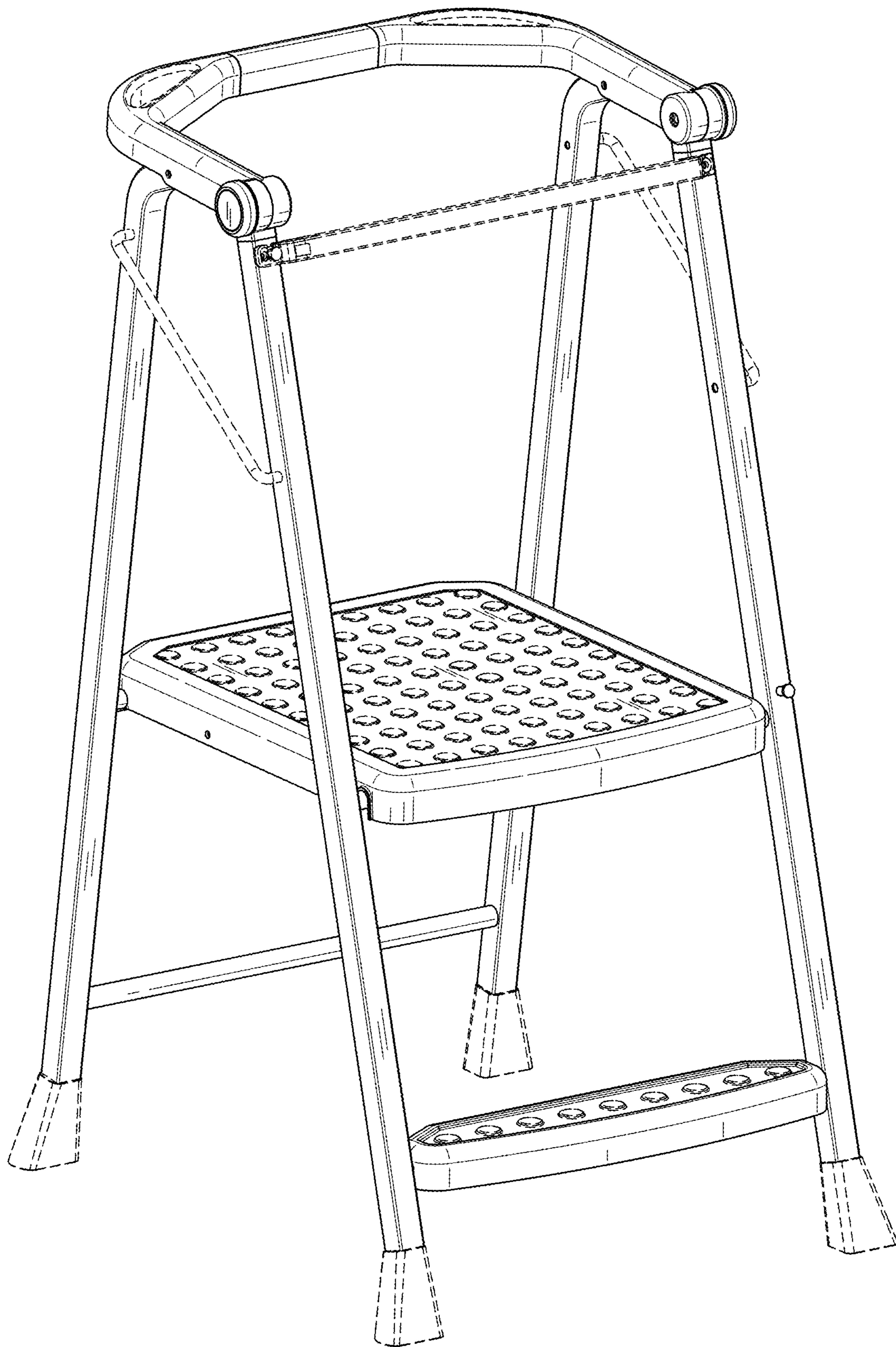


FIG. 1

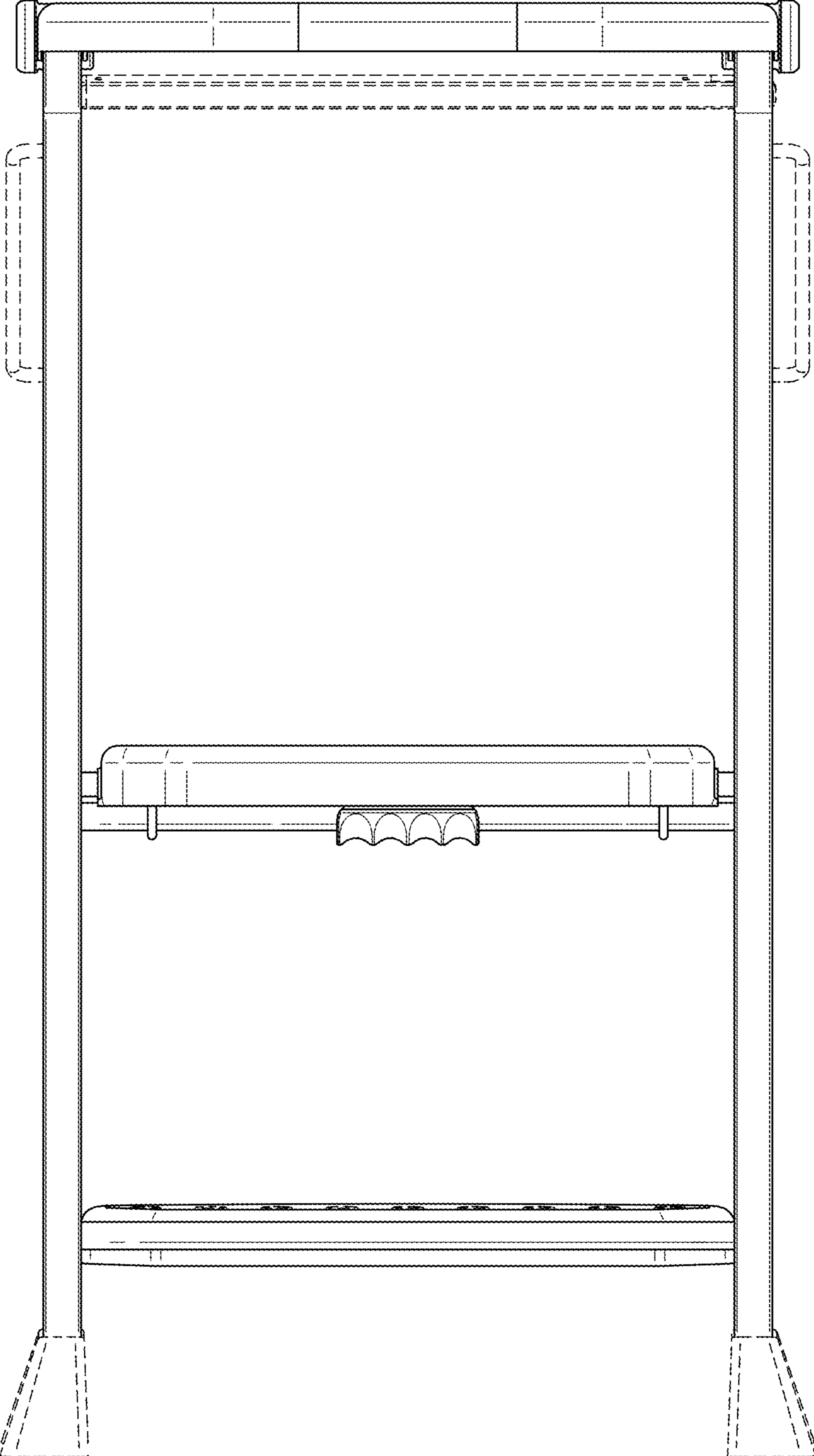


FIG. 2

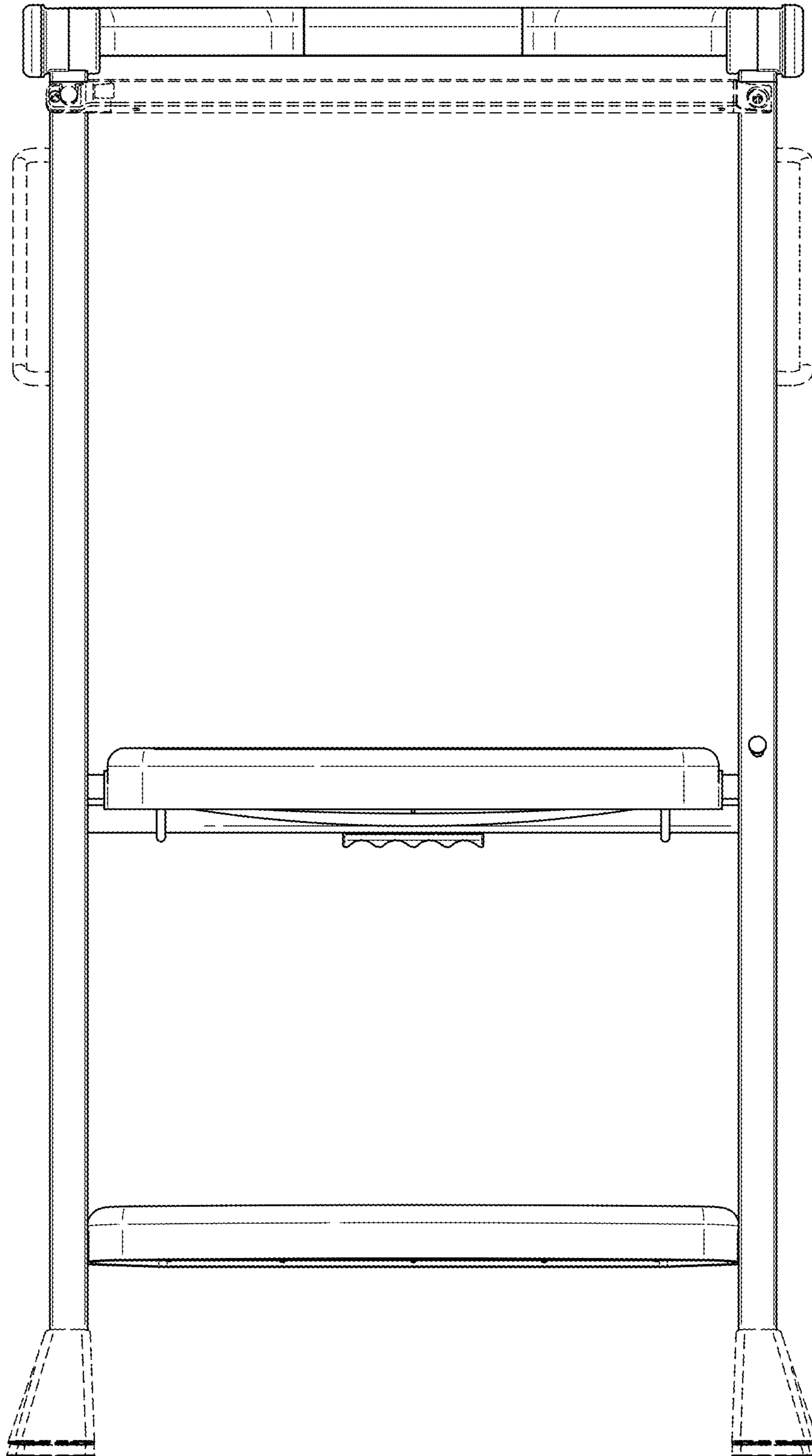


FIG. 3

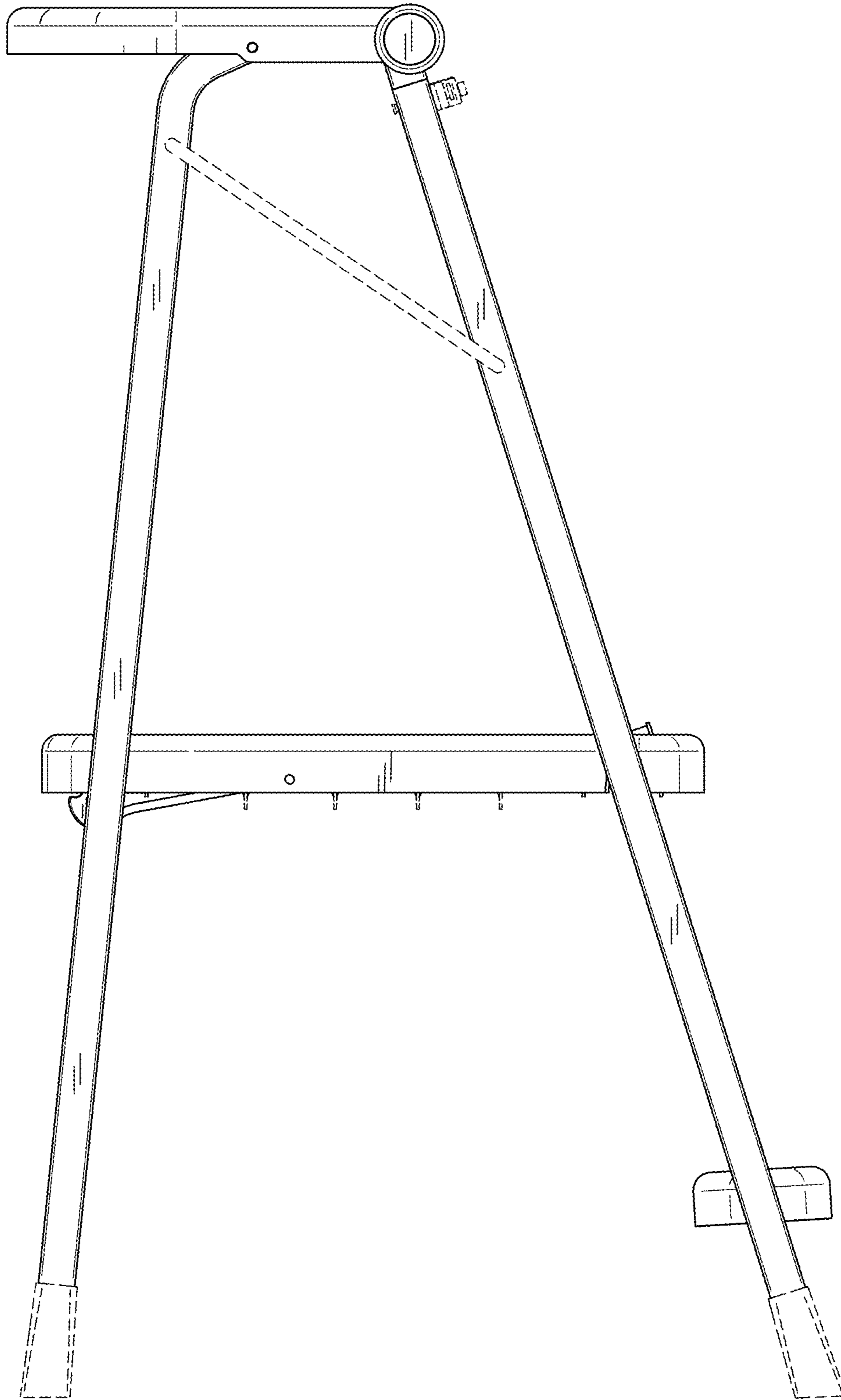


FIG. 4

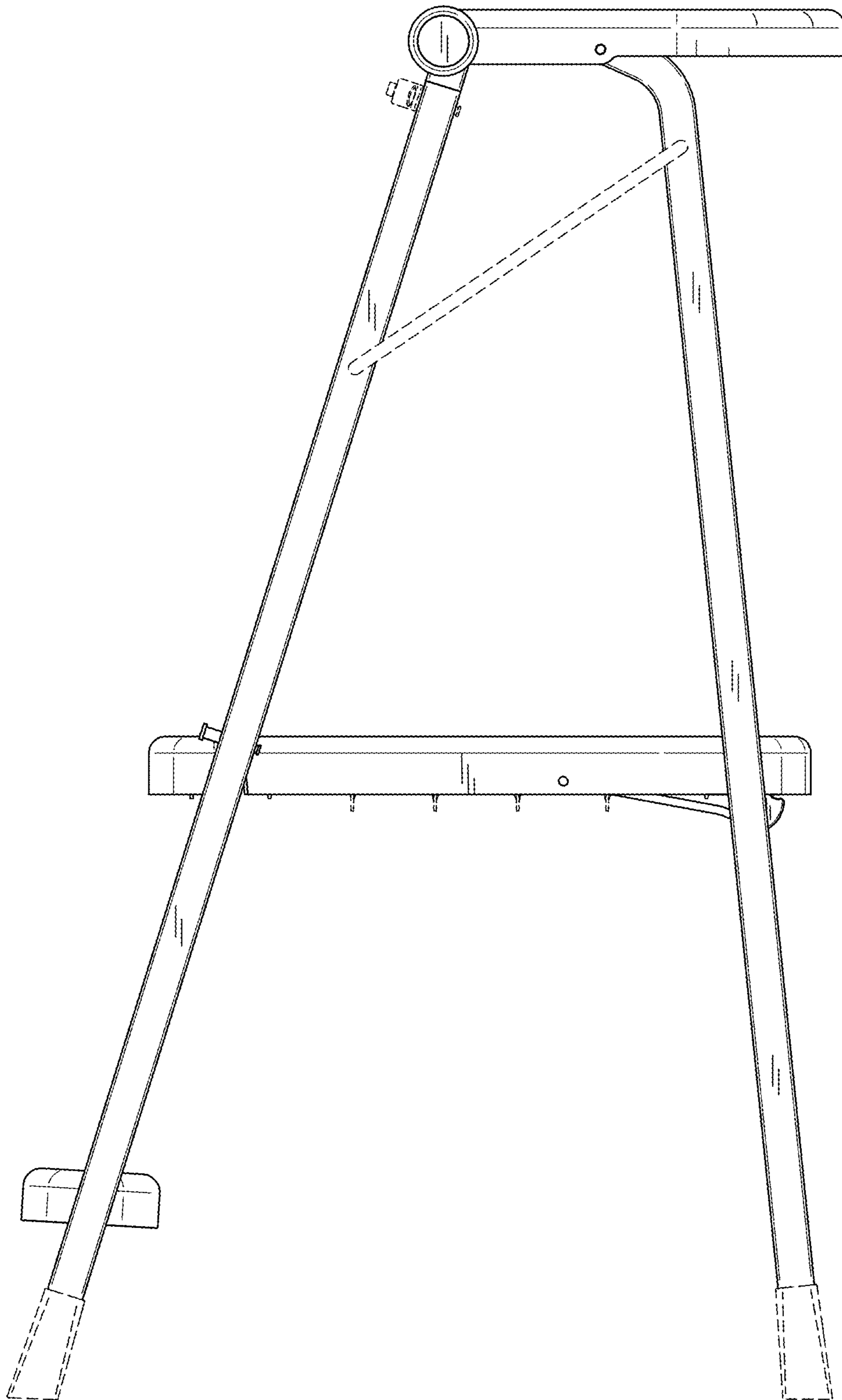


FIG. 5

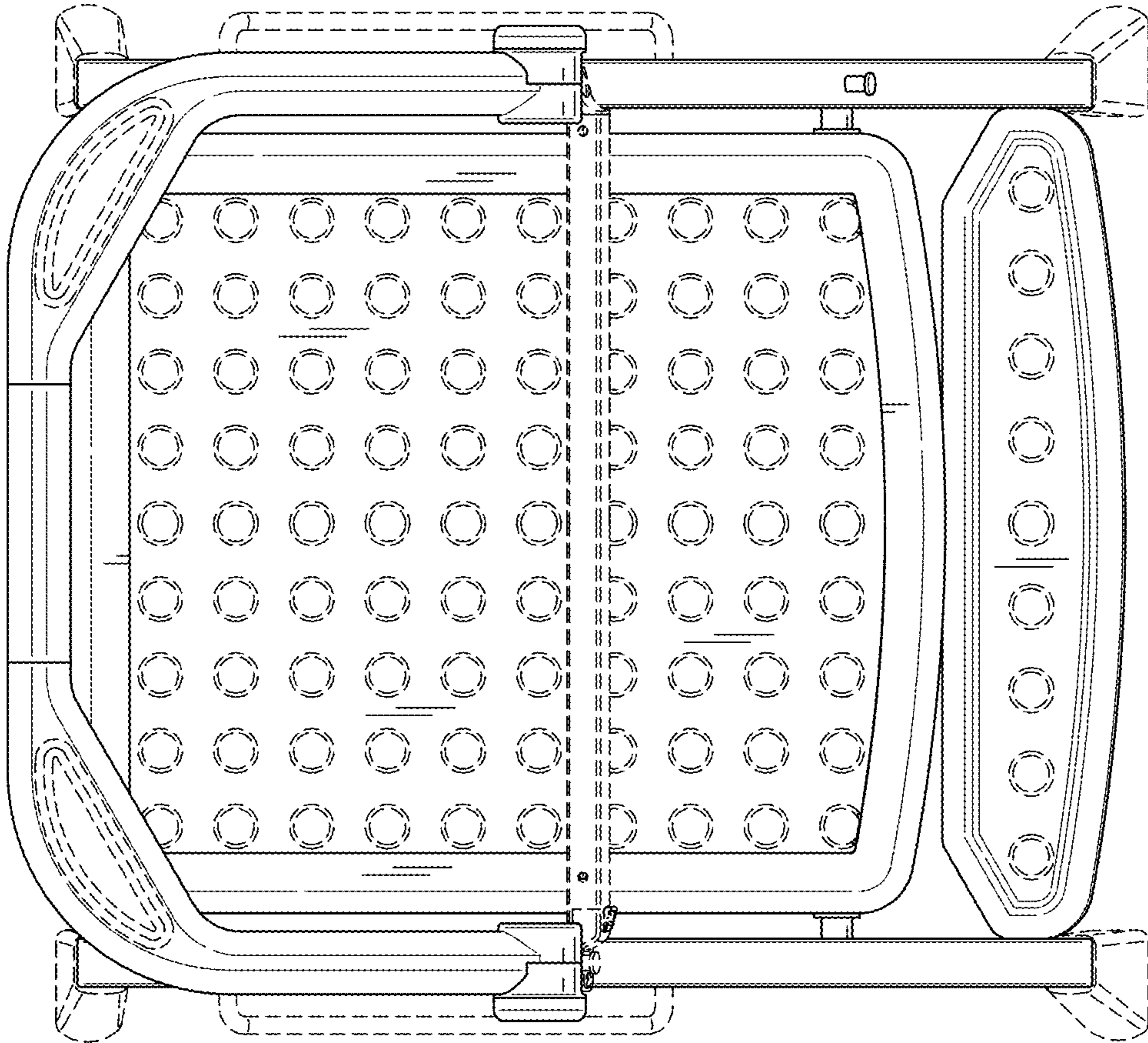


FIG. 6

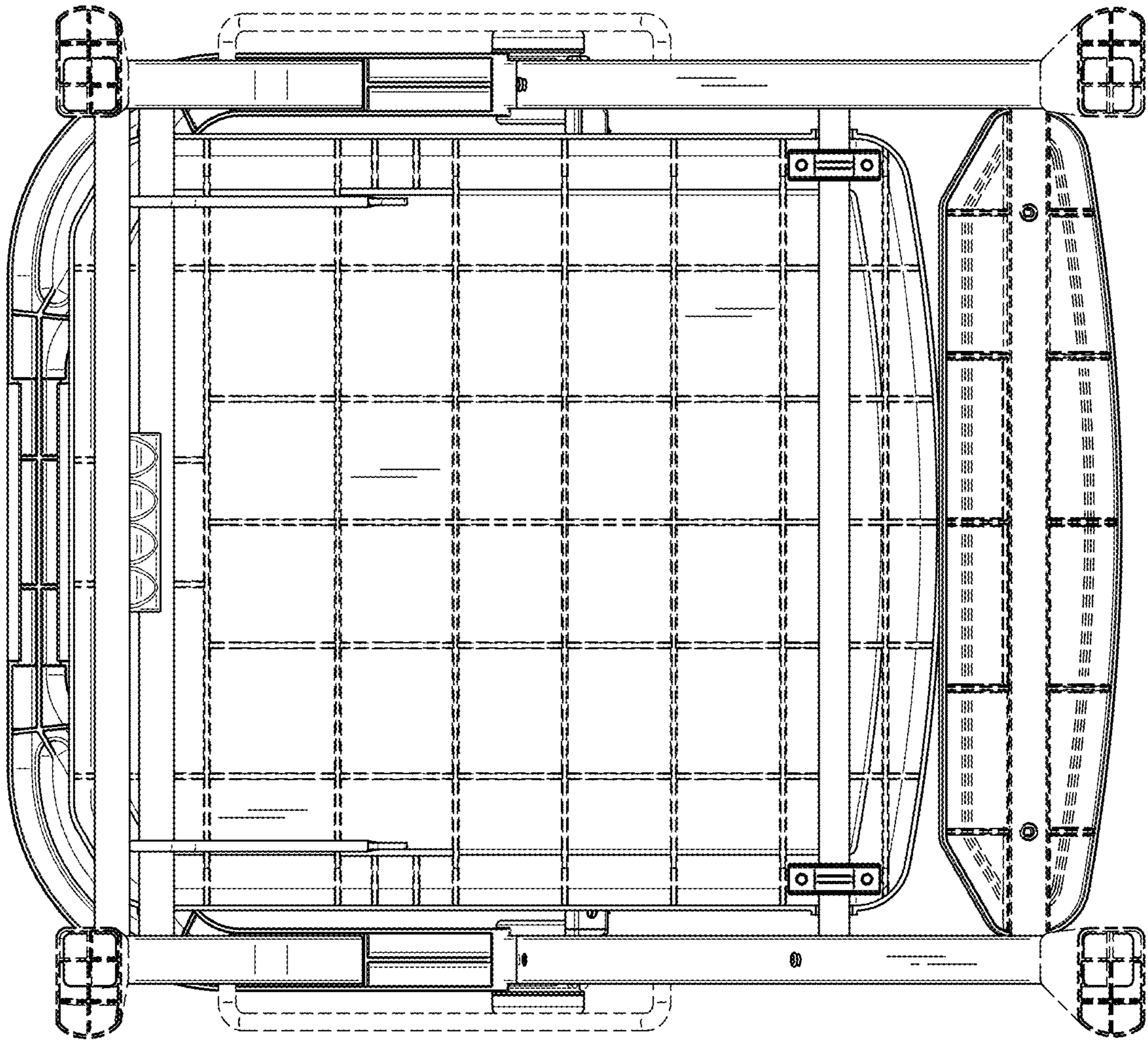


FIG. 7

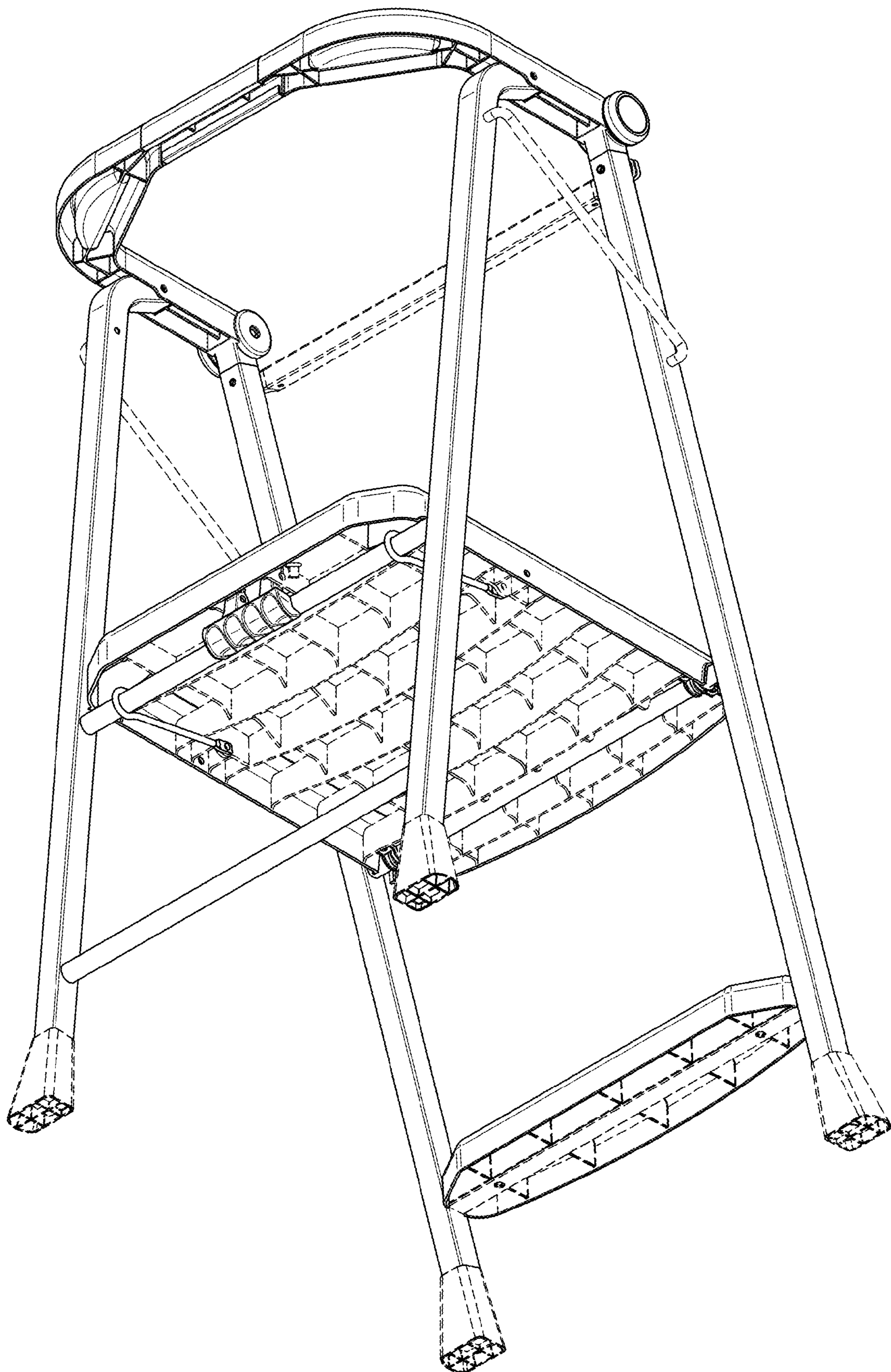


FIG. 8