



US00D979095S

(12) **United States Design Patent** (10) **Patent No.:** **US D979,095 S**
Kim et al. (45) **Date of Patent:** **** Feb. 21, 2023**

(54) **INDOOR WALL WITH BUILTIN HOME APPLIANCES**

(71) Applicant: **LG Electronics Inc.**, Seoul (KR)
(72) Inventors: **Yunjoo Kim**, Seoul (KR); **Kisang Jung**, Seoul (KR); **Hwasuk Shim**, Seoul (KR); **Jaemyo Shim**, Seoul (KR)
(73) Assignee: **LG ELECTRONICS INC.**, Seoul (KR)
(**) Term: **15 Years**

(21) Appl. No.: **35/512,212**

(22) Filed: **Jan. 18, 2021**

(80) **Hague Agreement Data**

Int. Filing Date: **Jan. 18, 2021**
Int. Reg. No.: **DM/212676**
Int. Reg. Date: **Jan. 18, 2021**
Int. Reg. Pub. Date: **Jul. 23, 2021**

(30) **Foreign Application Priority Data**

Jul. 22, 2020 (KR) 30-2020-0033869

(51) **LOC (14) Cl.** **25-02**

(52) **U.S. Cl.**
USPC **D25/58; D24/217**

(58) **Field of Classification Search**
USPC D6/668.1, 668.2, 670, 671, 671.1;
D13/162, 170; D14/302, 305; D25/58,
D25/199

(Continued)

(56) **References Cited**

U.S. PATENT DOCUMENTS

D141,374 S * 5/1945 Miller D6/671.1
D194,470 S * 1/1963 Parmet D6/671.1

(Continued)

OTHER PUBLICATIONS

Movable_Partition (available online) Retrieved from the internet Oct. 6, 2022 from URL: <https://www.egmovablewall.com/news/movable-partition-installation-project-of-fuzh-39443125.html>.*

Primary Examiner — Richard Kearney
(74) *Attorney, Agent, or Firm* — Birch, Stewart, Kolasch & Birch, LLP

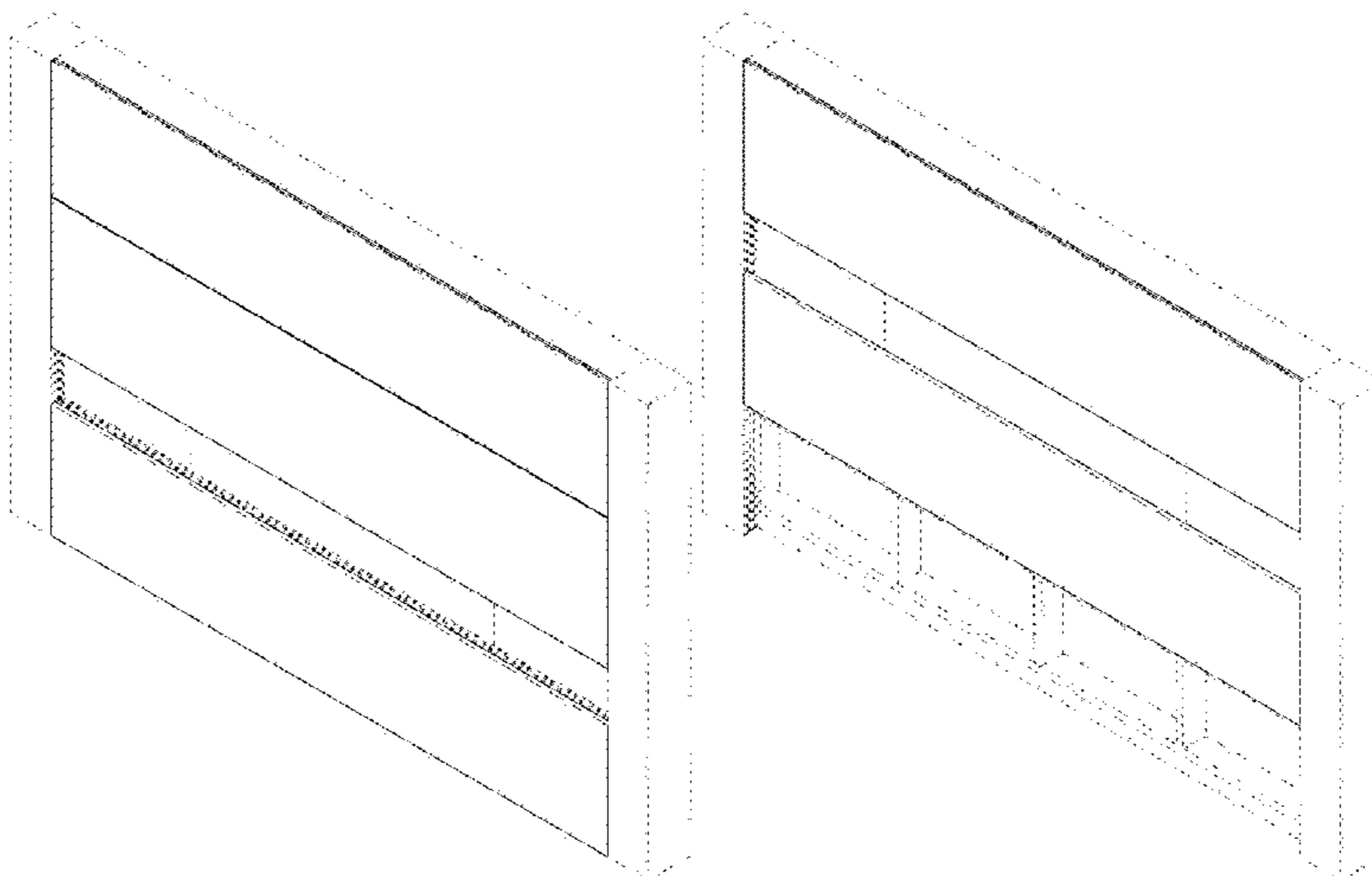
(57) **CLAIM**

The ornamental design for an indoor wall with built-in home appliances, as shown and described.

DESCRIPTION

1. Indoor wall with built-in home appliances
- 1.1 : Perspective
- 1.2 : Front
- 1.3 : Back
- 1.4 : Left, right view being a mirror image thereof
- 1.5 : Top
- 1.6 : Bottom
- 1.7 : Another Front view
- 1.8 : Perspective view showing alternate state of use
- 1.9 : Perspective
- 1.10: Front
- 1.11 : Back
- 1.12: Left, right view being a mirror image thereof
- 1.13 : Top
- 1.14: Bottom
- 1.15: Perspective view showing alternate state of use
- 1.16 : Perspective view showing alternate state of use
- 1.17: Front
- 1.18: Back
- 1.19: Left, right view being a mirror image thereof
- 1.20 : Top
- 1.21: Bottom
- 1.22: Front
- 1.23: Perspective view showing alternate state of use
- 1.24: Perspective view showing alternate state of use
- 1.25 : Front
- 1.26 : Back
- 1.27: Left, right view being a mirror image thereof

(Continued)



1.28 : Top

1.29 : Bottom

The broken lines depict portions of the indoor wall with built-in home appliances that form no part of the claimed design.

1 Claim, 29 Drawing Sheets

(58) **Field of Classification Search**

CPC A47B 81/06; A47B 97/001; H04N 5/64; E06B 3/32; E06B 3/44; E06B 3/46; E06B 3/5063; E06B 5/04; E06B 5/06; E04F 19/022; E04F 19/062; E04F 19/065

See application file for complete search history.

(56)

References Cited

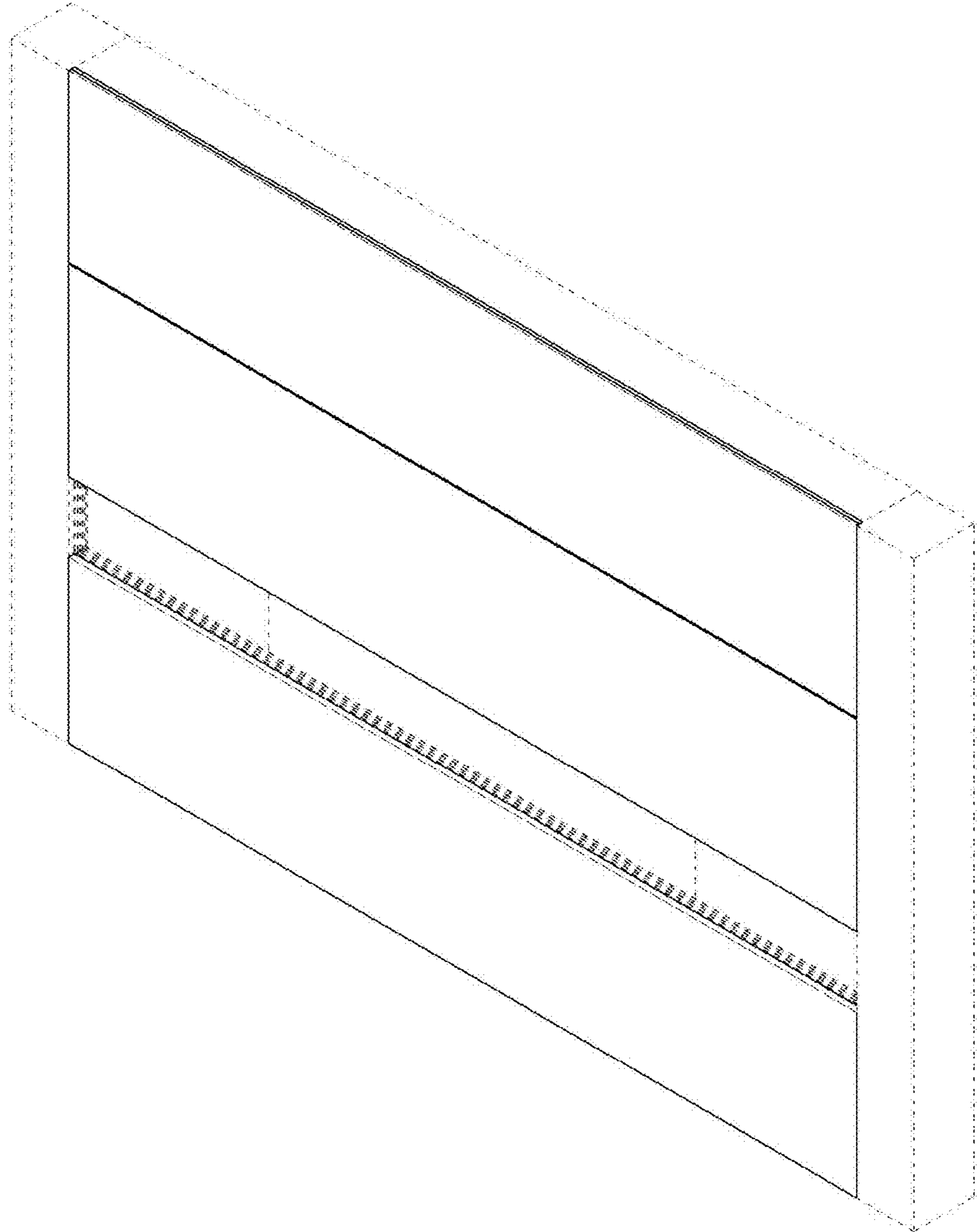
U.S. PATENT DOCUMENTS

D299,758 S * 2/1989 Kelley D25/60
 D649,376 S * 11/2011 Borgonovo D6/671.1
 8,713,857 B2 * 5/2014 Logue E04B 2/827
 312/246
 8,970,795 B2 * 3/2015 Lemieux F16M 11/18
 348/836
 9,273,473 B2 * 3/2016 Millson F16M 13/02
 9,955,783 B1 * 5/2018 Lu E05F 15/70

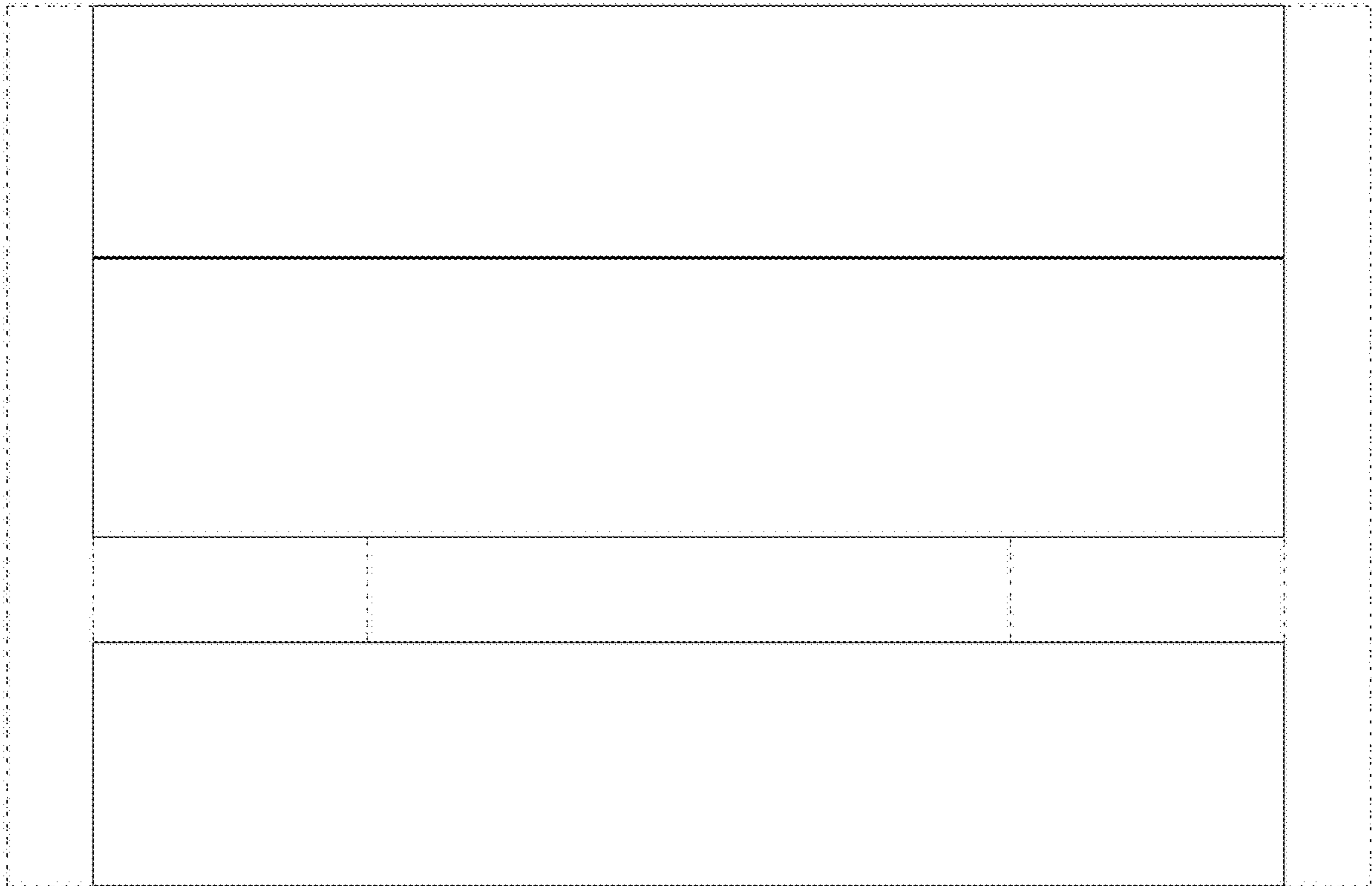
D831,583 S * 10/2018 Poulheim D13/164
 D834,537 S * 11/2018 Poulheim D13/162
 D834,538 S * 11/2018 Poulheim D13/162
 D834,540 S * 11/2018 Poulheim D13/164
 11,000,126 B1 * 5/2021 Kim A47B 97/001
 D938,395 S * 12/2021 Park D14/217
 D939,472 S * 12/2021 Kim D14/217
 D939,473 S * 12/2021 Kim D14/217
 D939,474 S * 12/2021 Kim D14/217
 D940,104 S * 1/2022 Kim D14/217
 D940,105 S * 1/2022 Kim D14/217
 D941,265 S * 1/2022 Kim D14/217
 D941,266 S * 1/2022 Kim D14/217
 D941,267 S * 1/2022 Kim D14/217
 D941,268 S * 1/2022 Kim D14/217
 2004/0135476 A1 * 7/2004 Gillengerten H04R 5/02
 312/7.2
 2004/0222721 A1 * 11/2004 Kelley A47B 45/00
 312/205
 2005/0133231 A1 * 6/2005 Conerton A47B 81/06
 174/17 VA
 2007/0157521 A1 * 7/2007 Ito E06B 3/5063
 49/185
 2011/0000138 A1 * 1/2011 Stoutenborough E06B 3/46
 49/458
 2014/0368096 A1 * 12/2014 Pachmayr A47B 81/06
 312/7.2
 2015/0252613 A1 * 9/2015 Lui E06B 3/46
 49/130

* cited by examiner

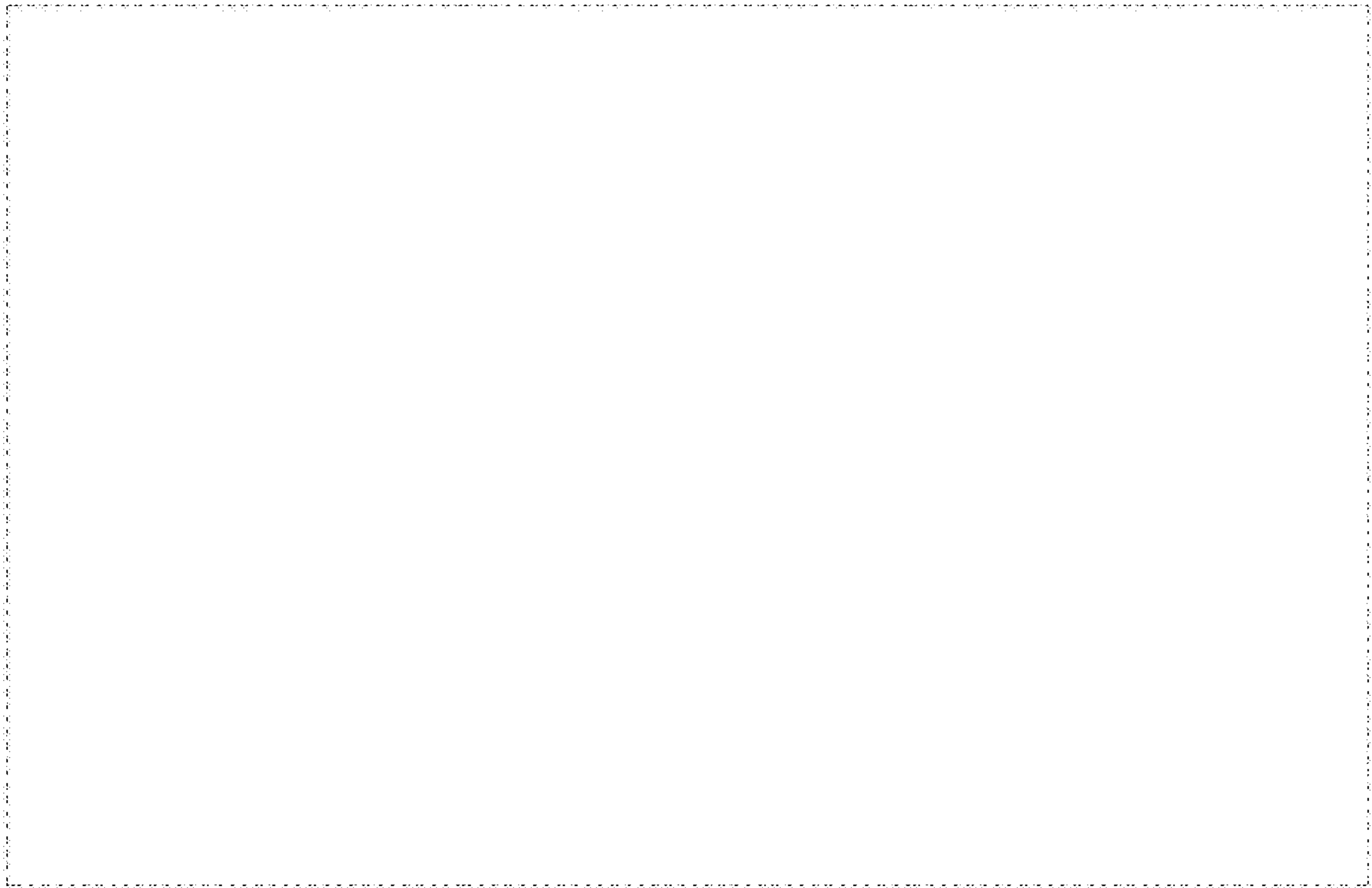
1.1



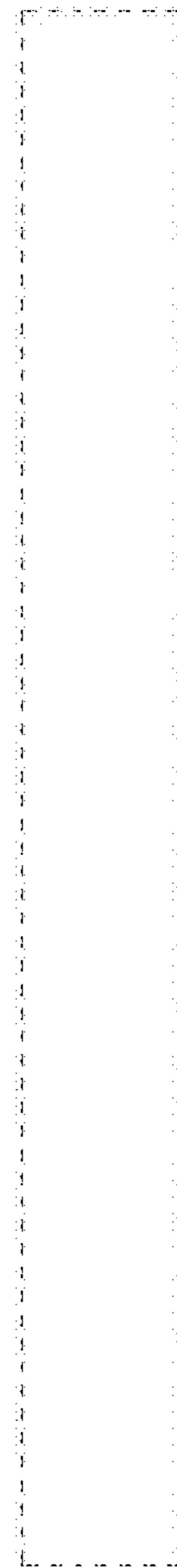
1.2



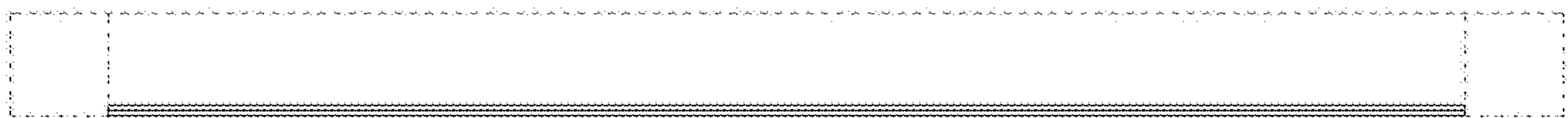
1.3



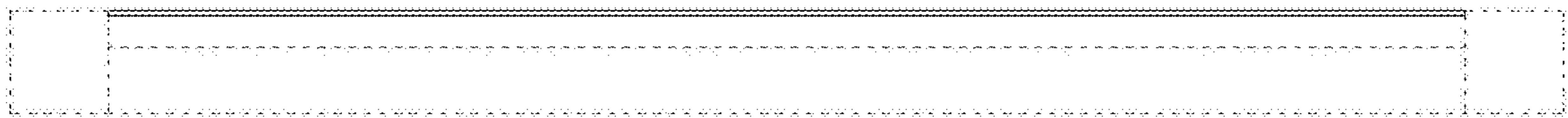
1.4



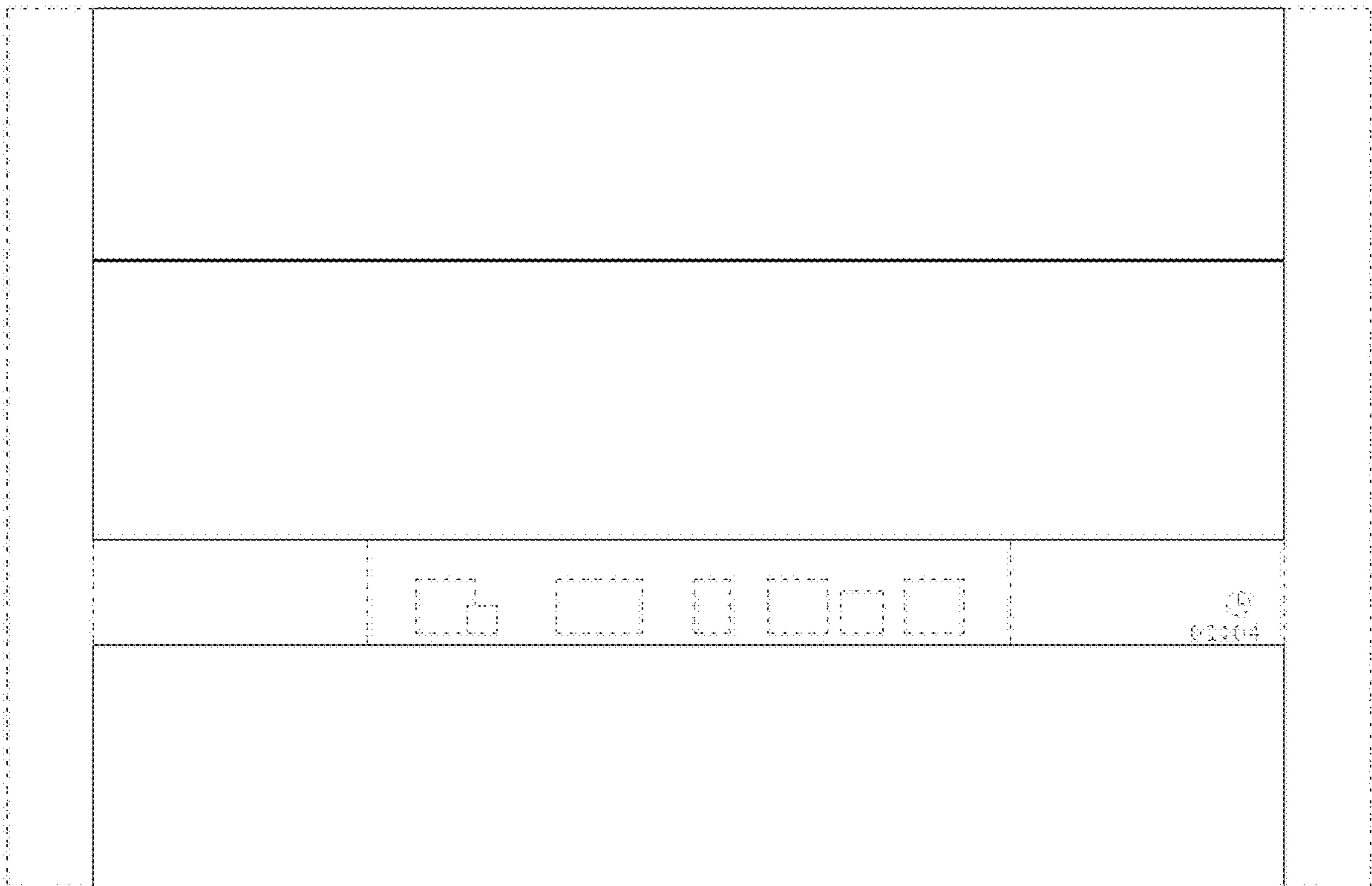
1.5



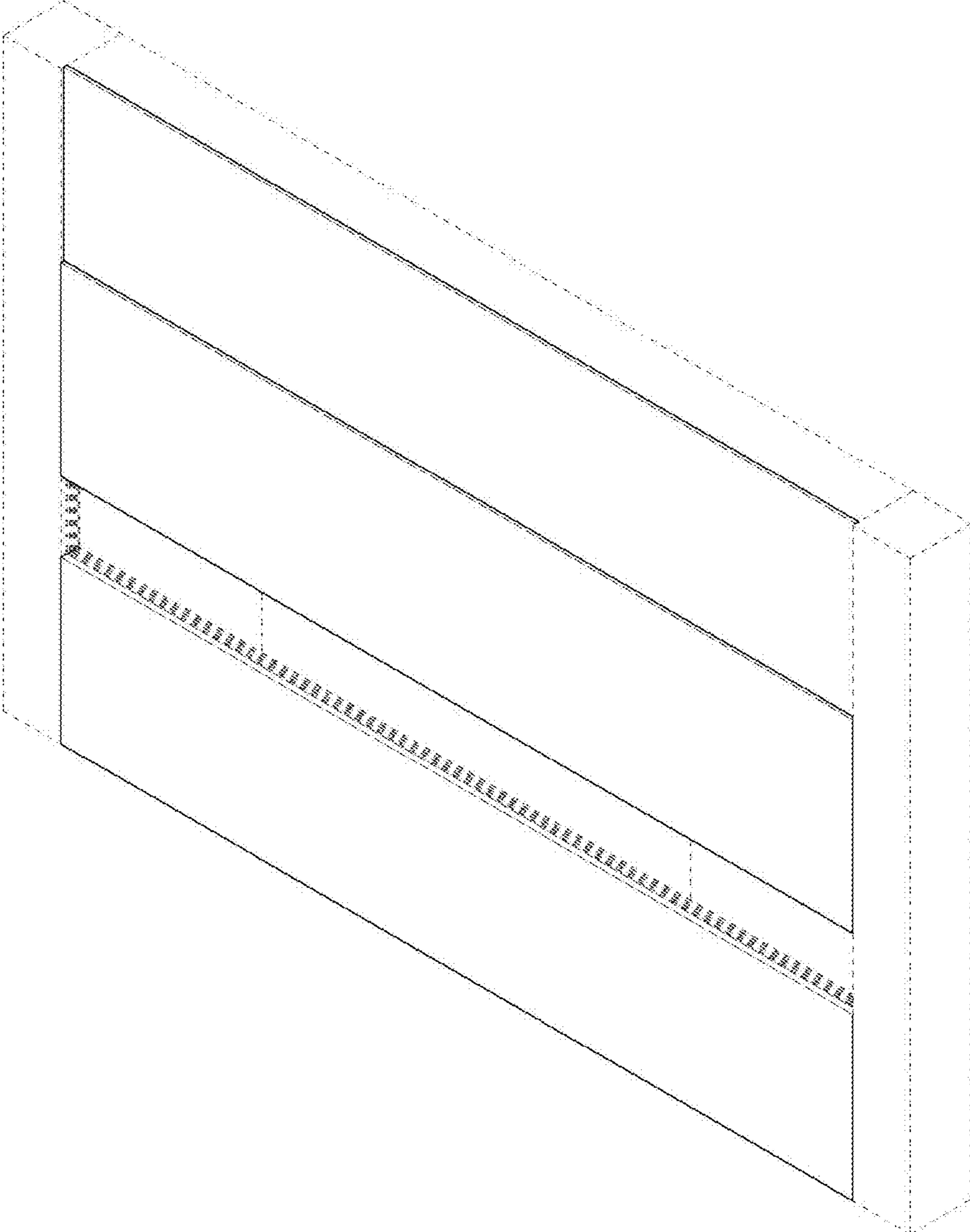
1.6



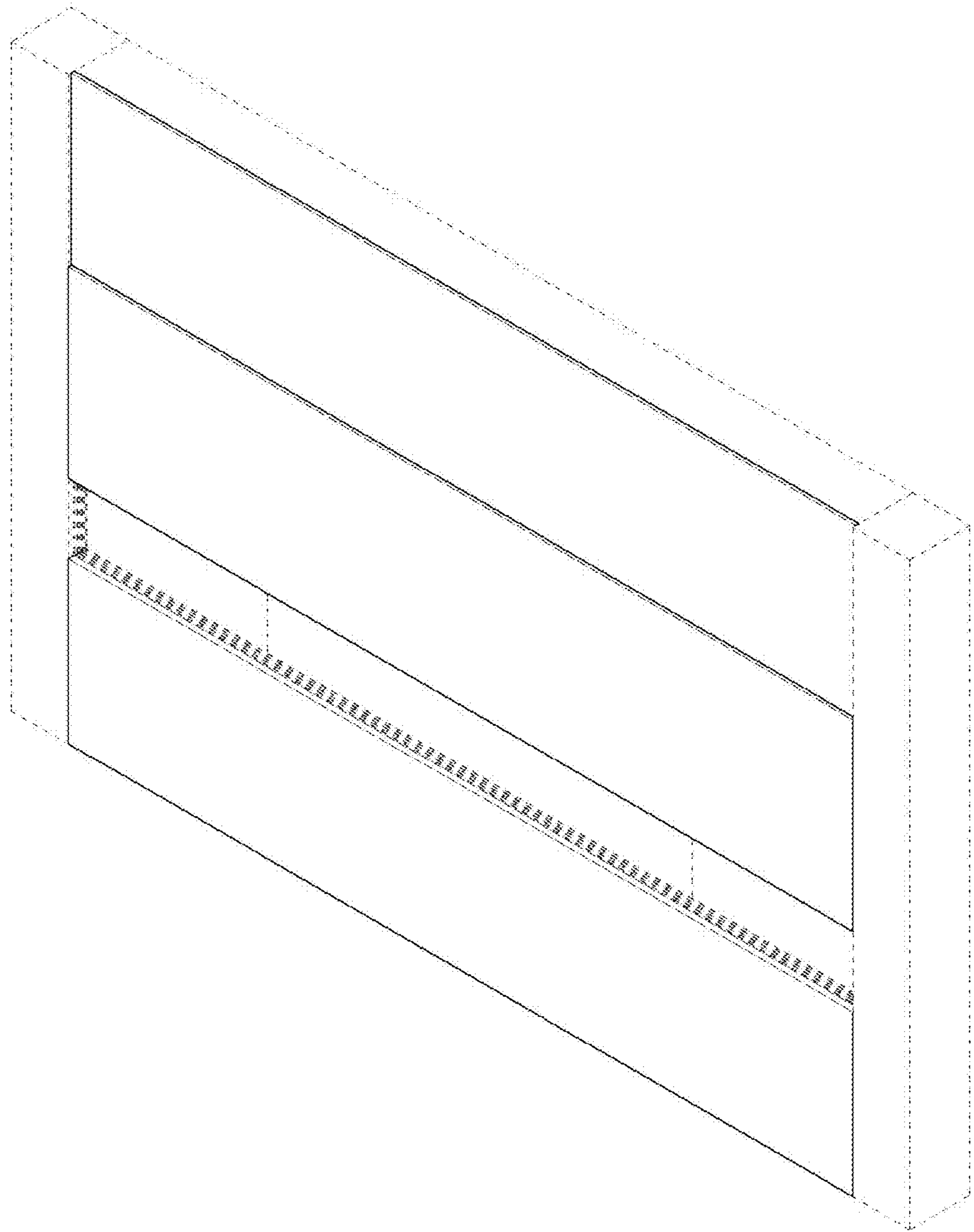
1.7



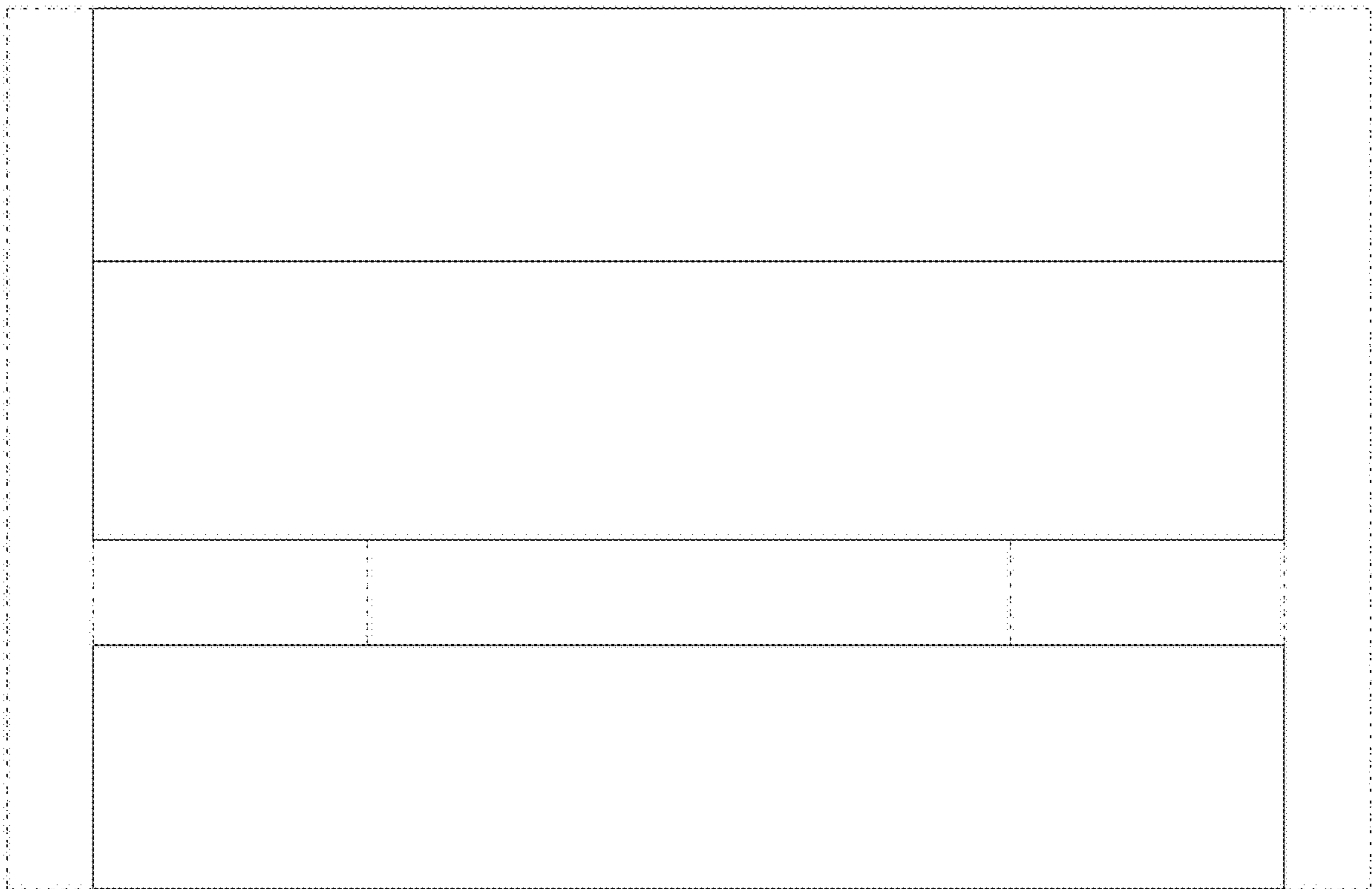
1.8



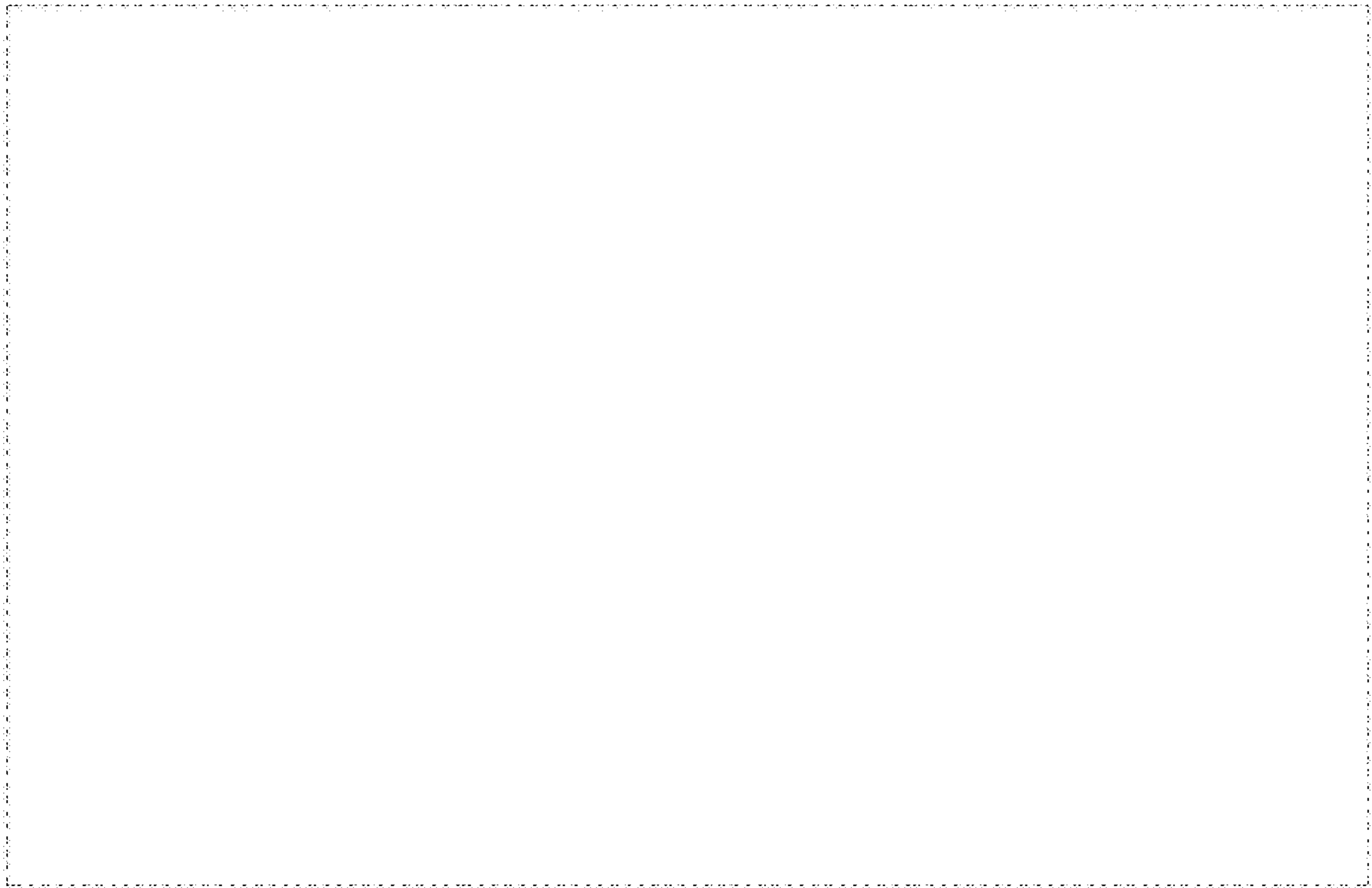
1.9



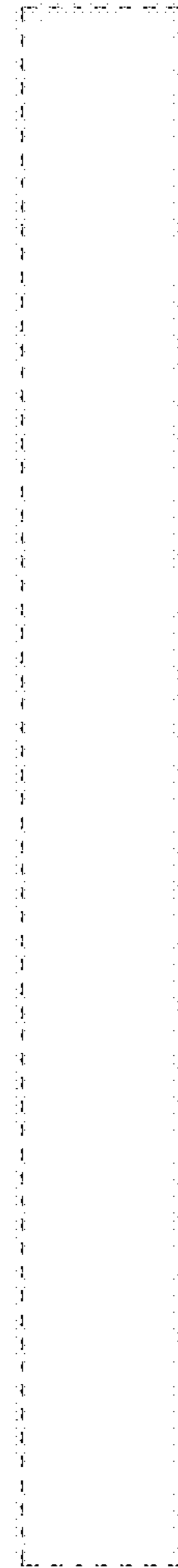
1.10



1.11



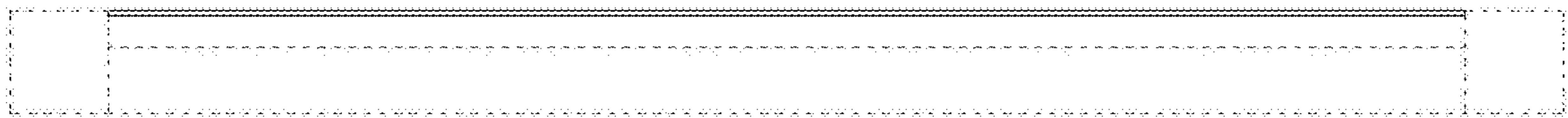
1.12



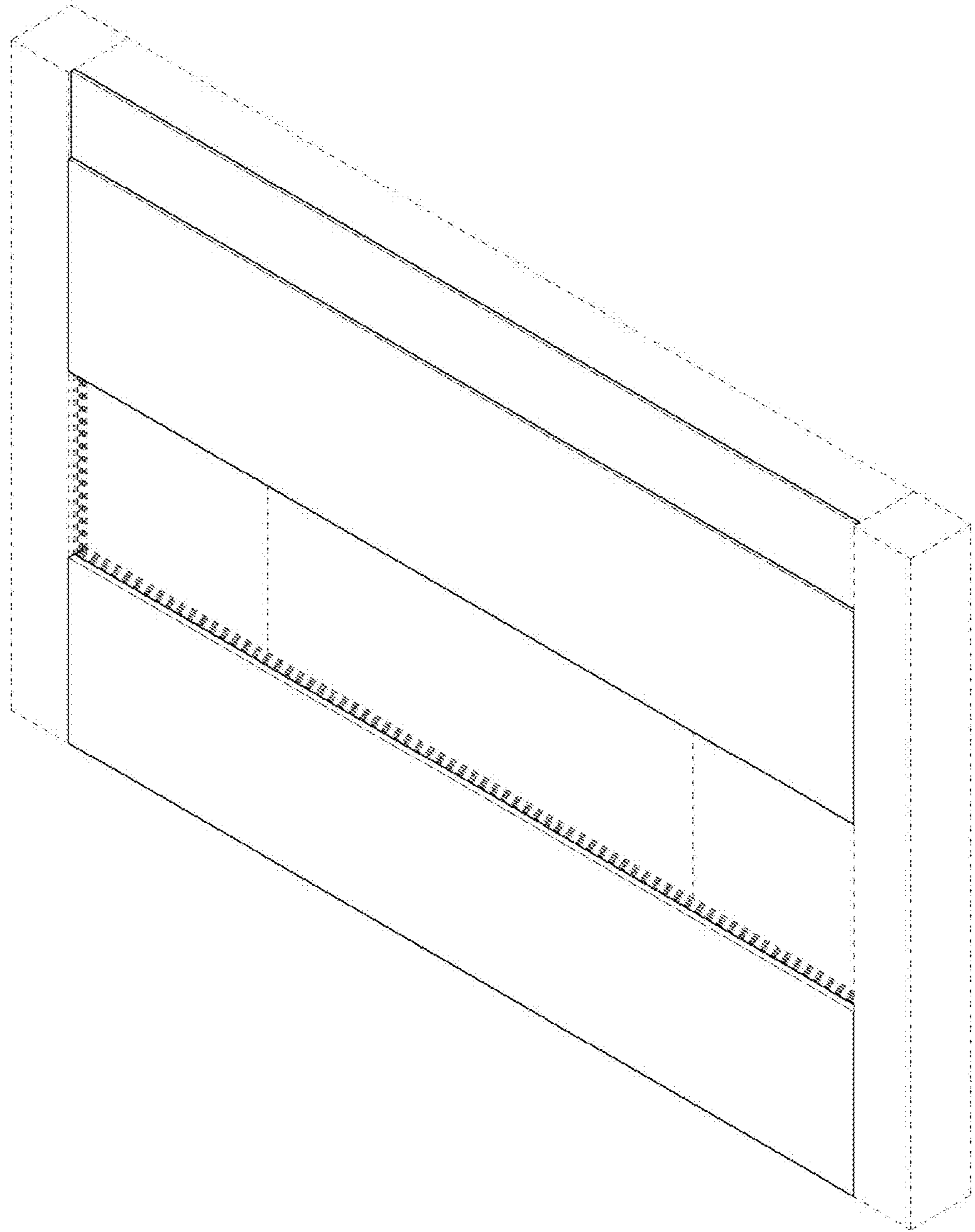
1.13



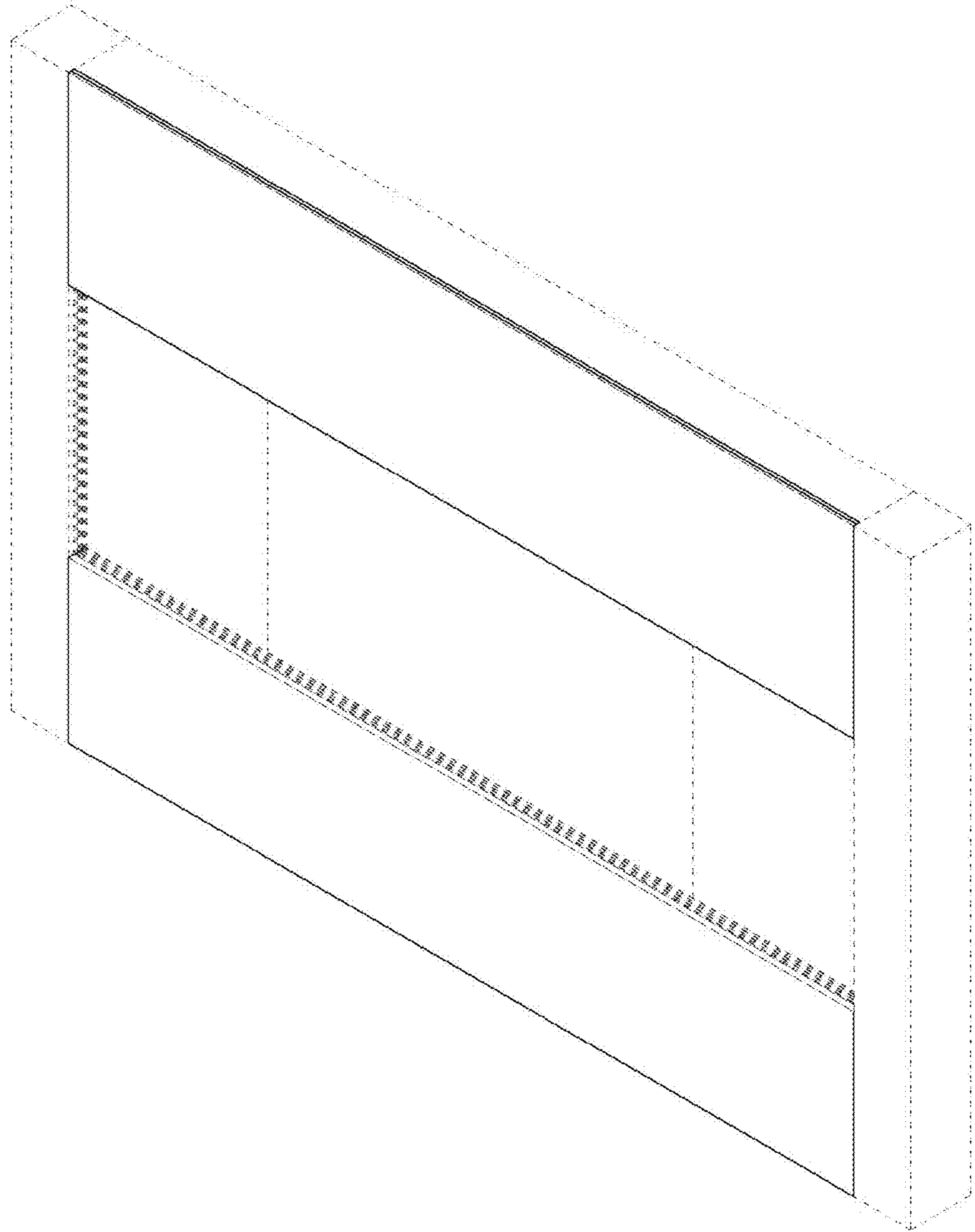
1.14



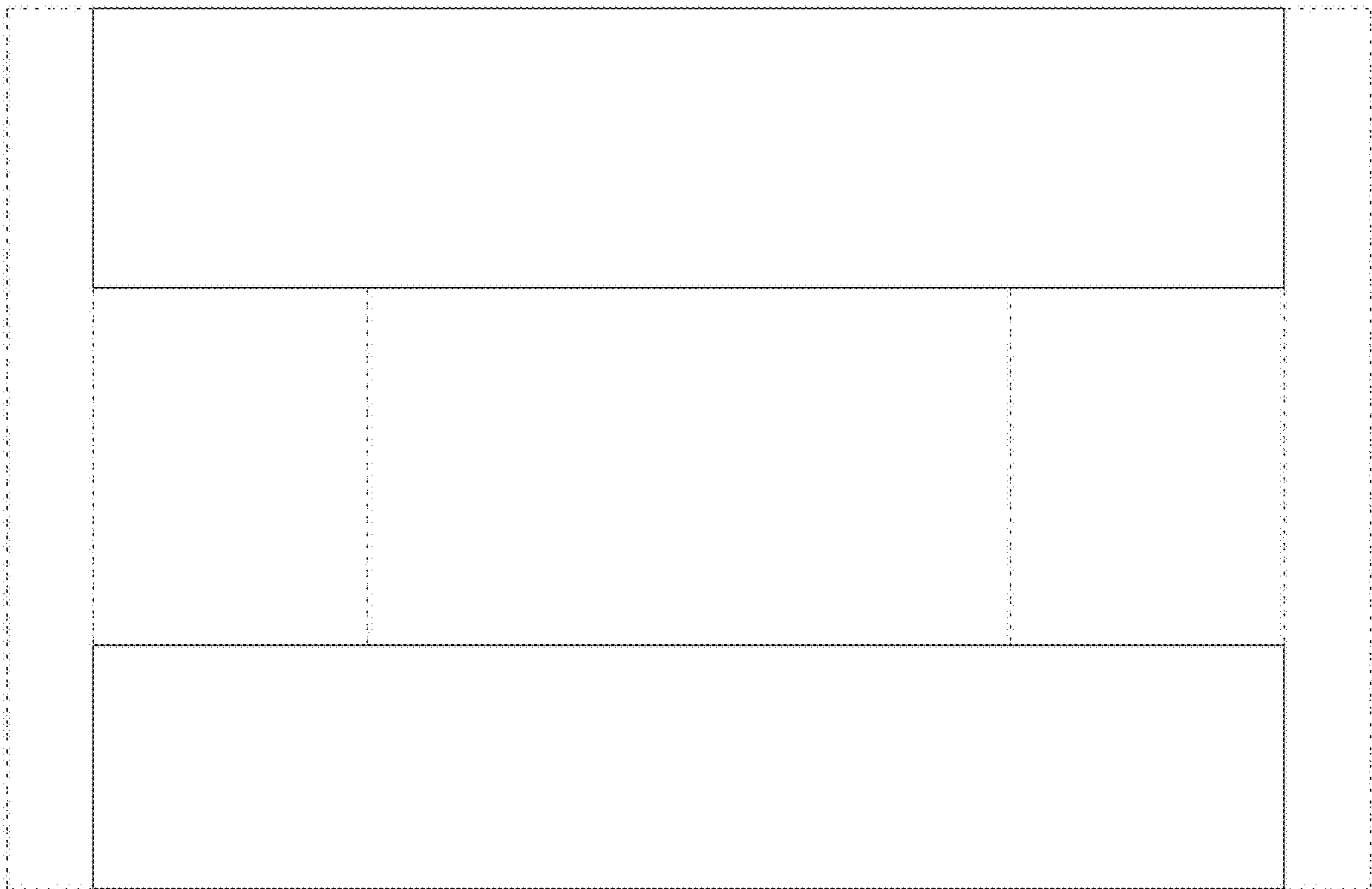
1.15



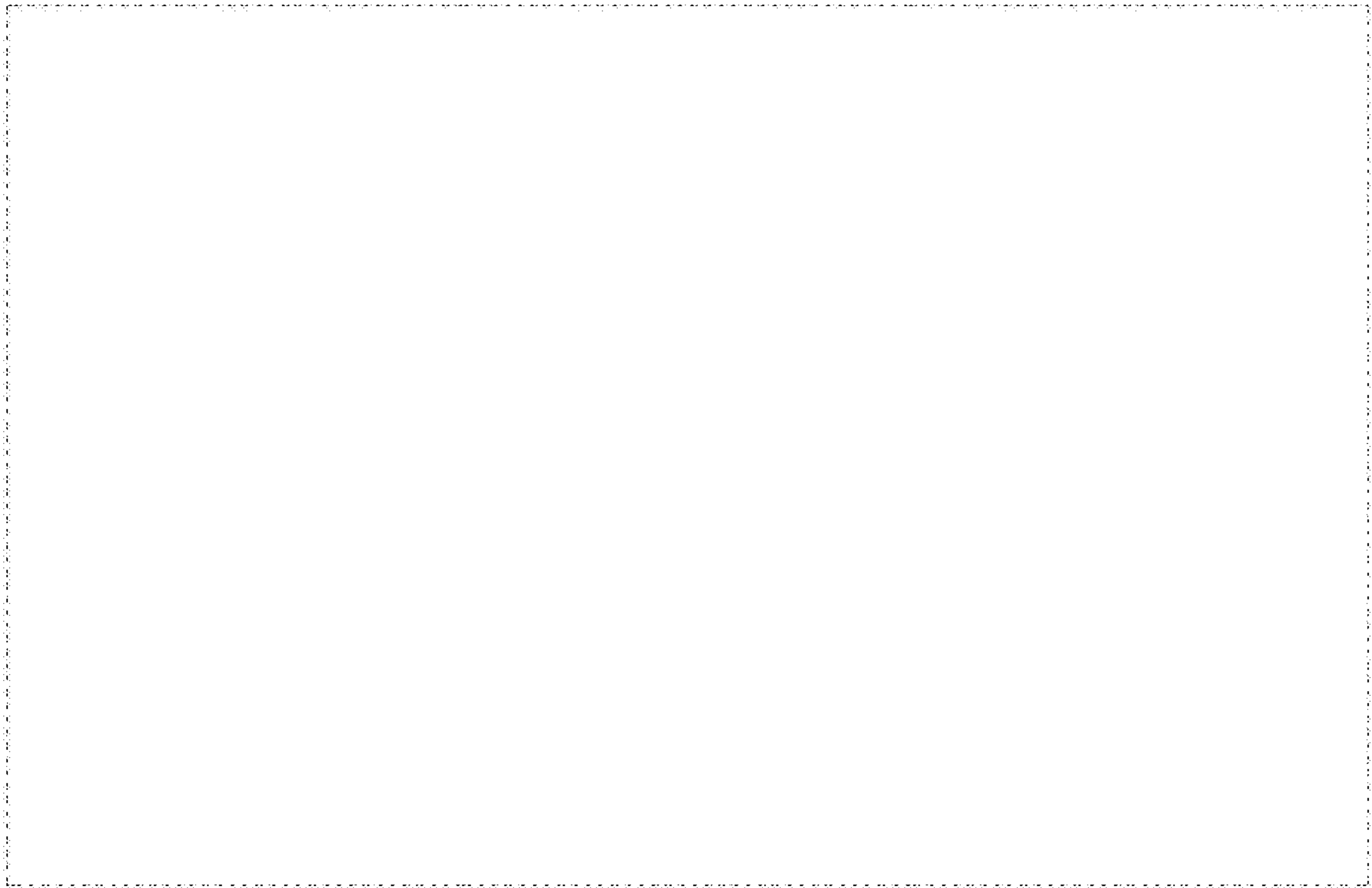
1.16



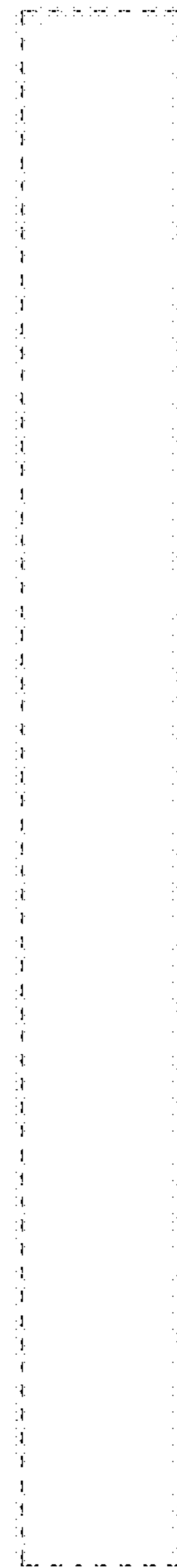
1.17



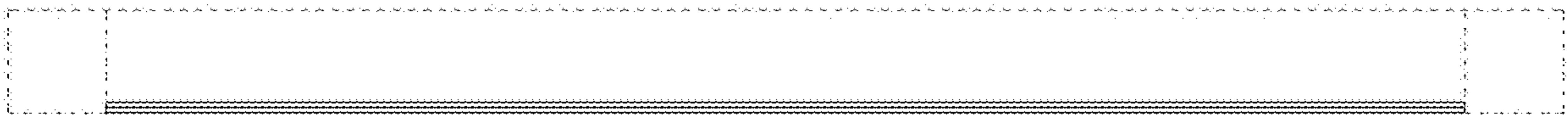
1.18



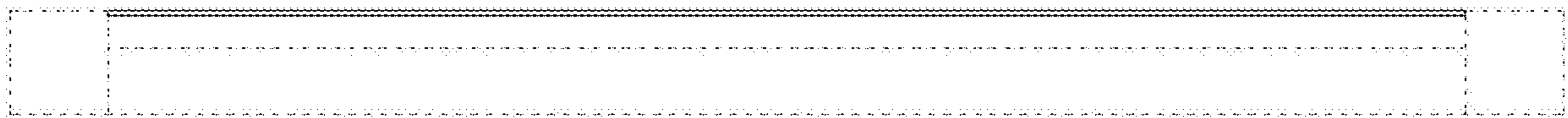
1.19



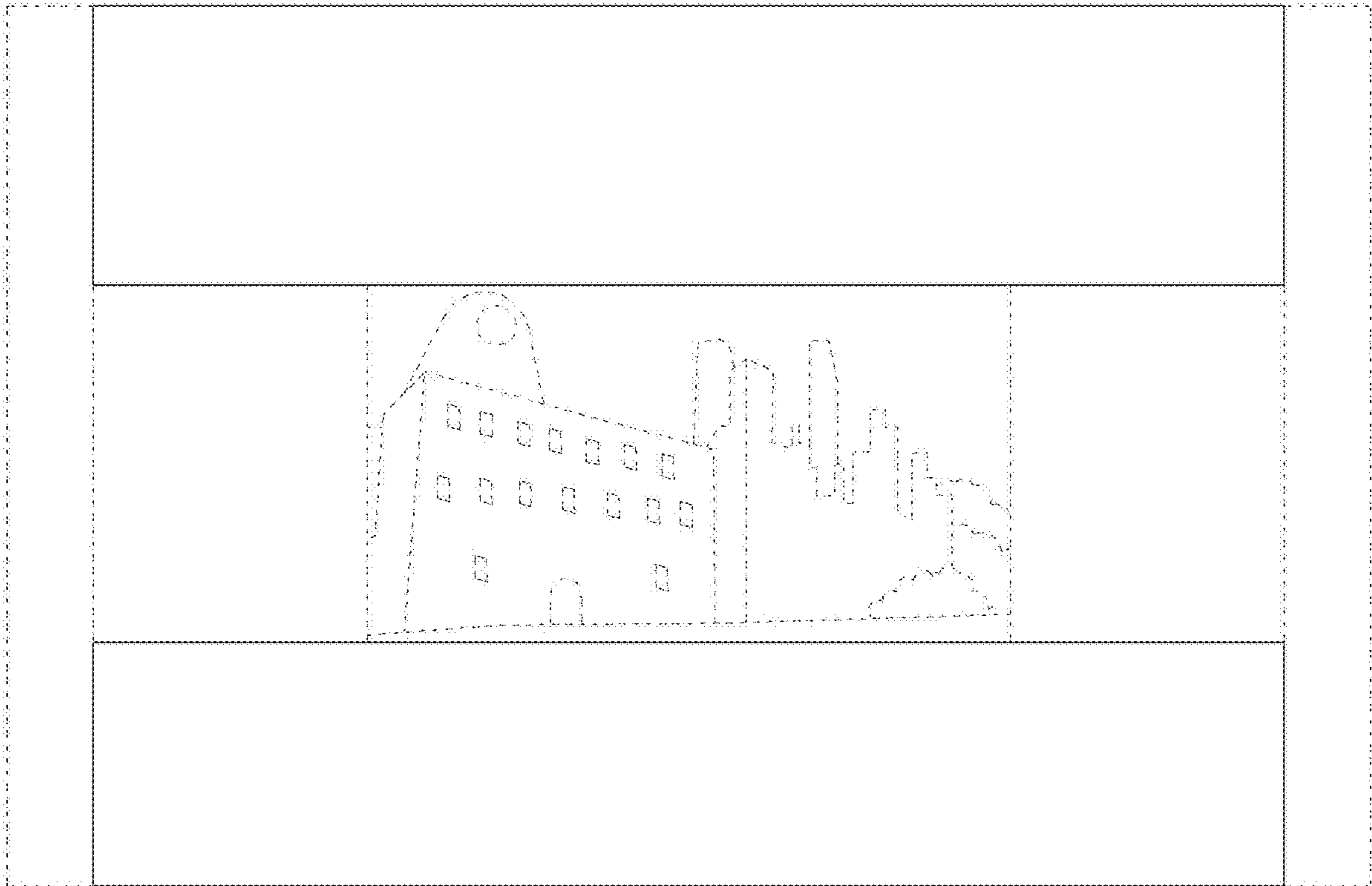
1.20



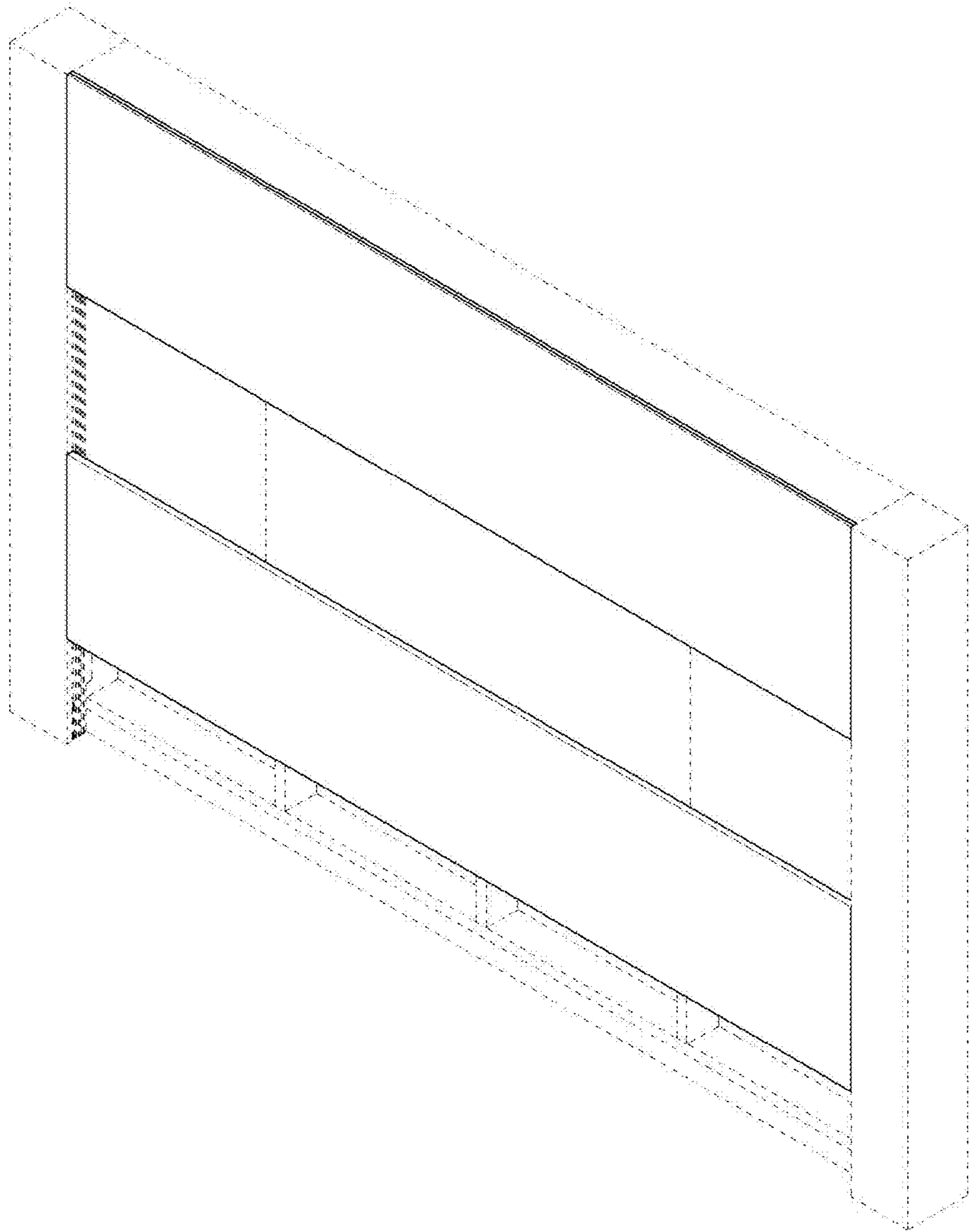
1.21



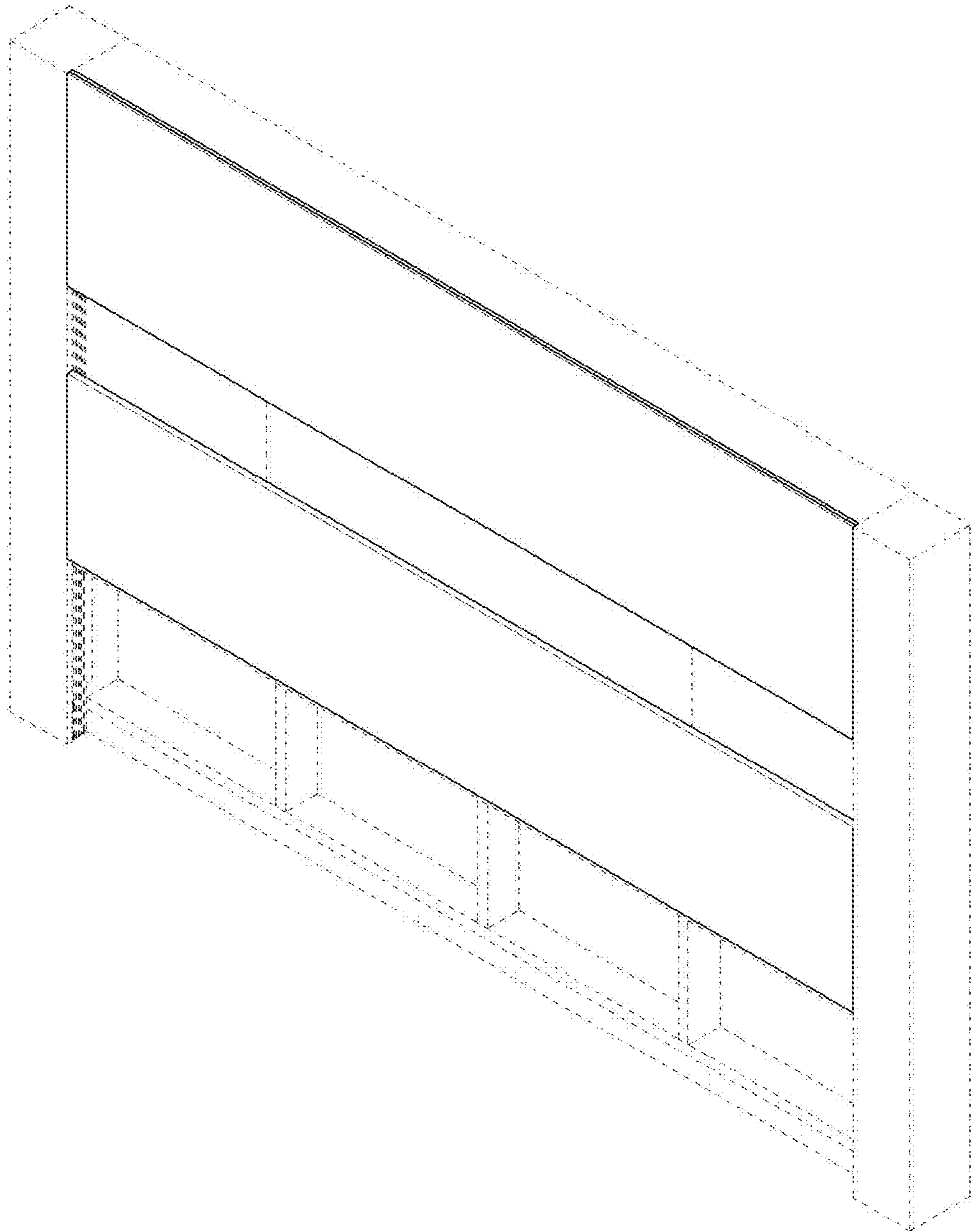
1.22



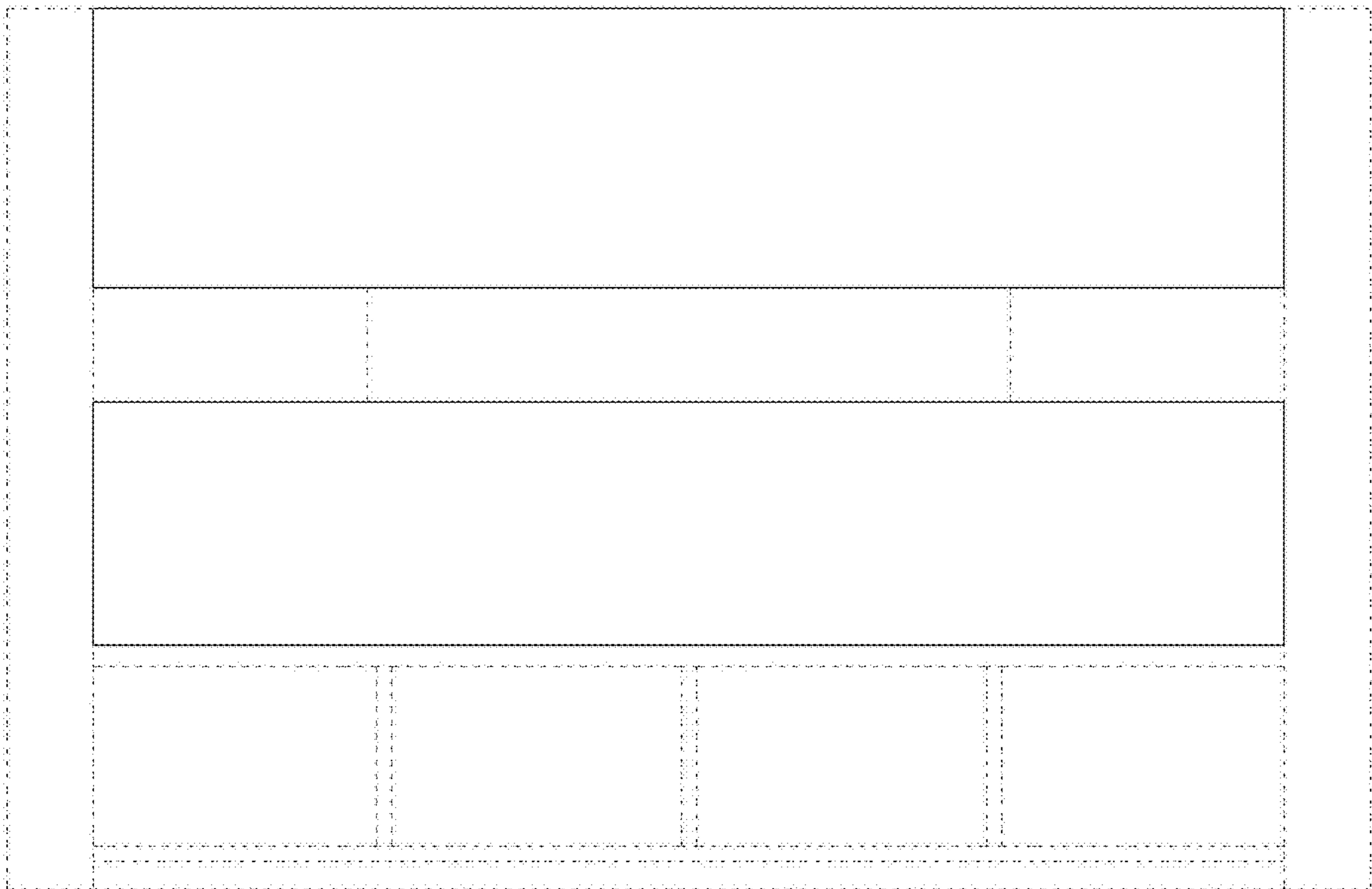
1.23



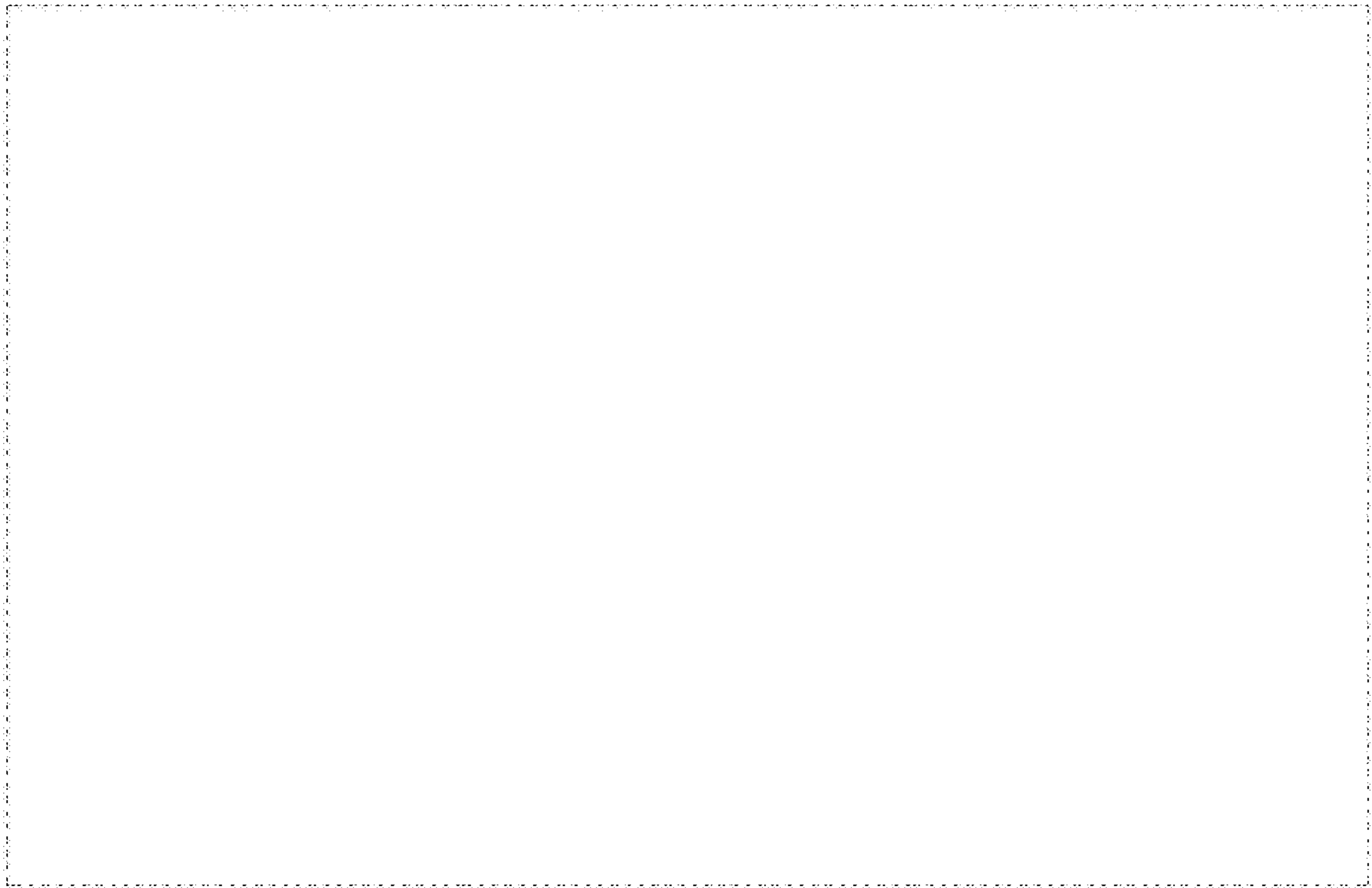
1.24



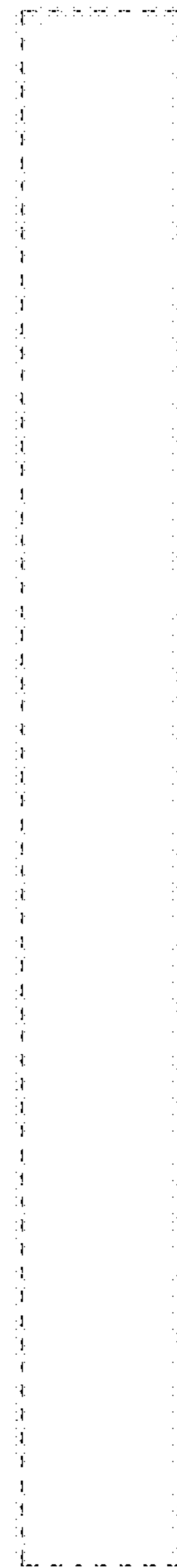
1.25



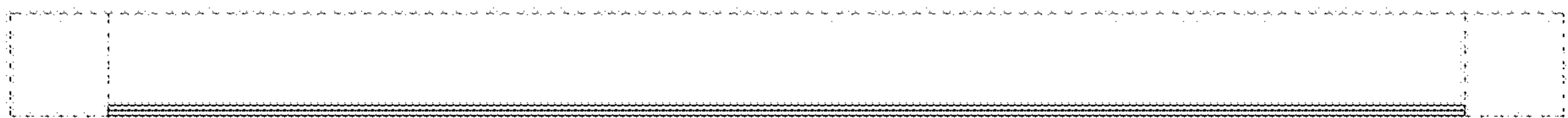
1.26



1.27



1.28



1.29

