



US00D979094S

(12) **United States Design Patent**
Tortora et al.

(10) **Patent No.:** **US D979,094 S**

(45) **Date of Patent:** **** Feb. 21, 2023**

(54) **CAPSULE FOR TRANSPORT OF PERISHABLE GOODS**

D853,838 S * 7/2019 Liu D9/560
D920,029 S * 5/2021 Nguyen-Geslin D7/354
D950,769 S * 5/2022 Klintstedt D24/224

(Continued)

(71) Applicant: **ABZERO S.R.L.S.**, Pisa (IT)

FOREIGN PATENT DOCUMENTS

(72) Inventors: **Giuseppe Roberto Tortora**, Pisa (IT);
Andrea Cannas, Lotzorai (IT); **Piero Quintiliani**, Pisa (IT)

CN 202130181175.8 * 8/2021

(**) Term: **15 Years**

OTHER PUBLICATIONS

(21) Appl. No.: **29/768,221**

ABzeroEUvsVirus. Online, published date Apr. 26, 2020. Retrieved on May 5, 2022 from URL: https://www.youtube.com/watch?v=FtqwW_QLi90.*

(22) Filed: **Jan. 28, 2021**

(51) **LOC (14) Cl.** **24-02**

(52) **U.S. Cl.**

USPC **D24/227**

(58) **Field of Classification Search**

USPC D24/115, 121, 216, 219, 224, 225-229,
D24/231, 232; D9/434, 435, 443,
D9/448-449, 452-453, 520-521, 531,
D9/557-560; D3/203.1-203.3, 203.6,
D3/205-206, 226, 228, 273-274, 276,
D3/281-291, 293-304, 313, 901, 903,
D3/905; D28/73, 76

CPC A01N 1/0268; B29C 45/1671; B01L 9/06;
B65D 1/00; B65D 1/34; B65D 1/36;
B65D 85/00; A45C 11/008; A45C 11/16;
A45C 11/26; A45C 13/02; A45C 15/04

See application file for complete search history.

Primary Examiner — Omeed Agilee

(74) *Attorney, Agent, or Firm* — Egbert, McDaniel & Swartz, PLLC

(57) **CLAIM**

The ornamental design for a capsule for transport of perishable goods, as shown and described.

DESCRIPTION

FIG. 1 is a front view of a capsule for transport of perishable goods showing our new design.

FIG. 2 is a rear view thereof;

FIG. 3 is a top view thereof;

FIG. 4 is a bottom view thereof;

FIG. 5 is a left side view thereof;

FIG. 6 is a right side view thereof;

FIG. 7 is a front perspective view thereof;

FIG. 8 is a rear perspective view thereof;

FIG. 9 is a bottom perspective view thereof;

FIG. 10 is a right side view, wherein the capsule for transport of perishable goods is in an opened state; and,

FIG. 11 is a front perspective view, wherein the capsule for transport of perishable goods is in an opened state.

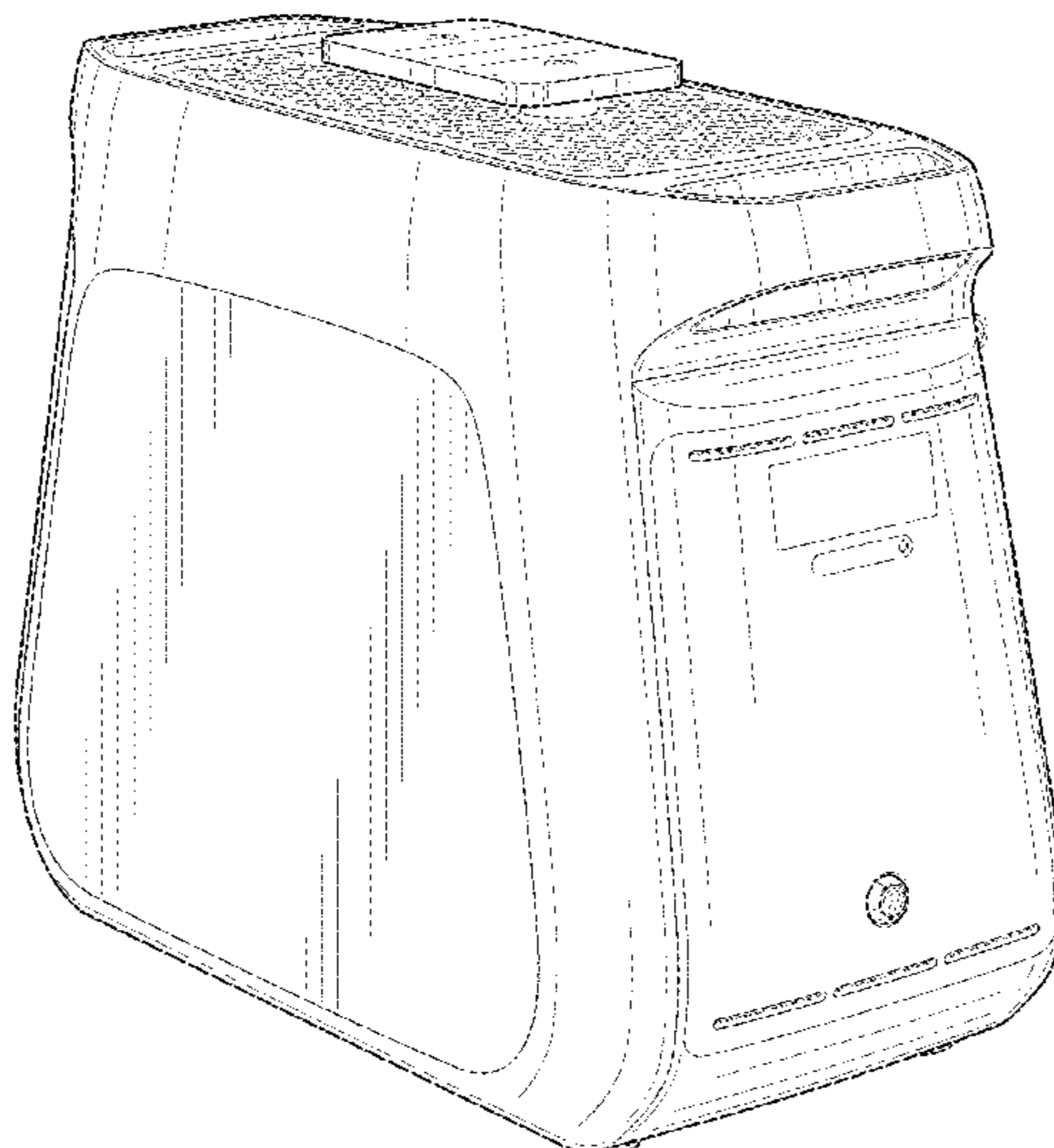
The broken lines depict portions of the capsule for transport of perishable goods that form no part of the claimed design.

1 Claim, 11 Drawing Sheets

(56) **References Cited**

U.S. PATENT DOCUMENTS

D549,827 S * 8/2007 Maeno D24/169
D551,897 S * 10/2007 De Pra' D7/339
D642,697 S * 8/2011 Gafvert A01N 1/0257
D24/216
D688,804 S * 8/2013 Kim D24/216
D734,484 S * 7/2015 Nishikawa D24/232
D743,047 S * 11/2015 Asao D24/226
9,636,682 B2 * 5/2017 Hiddessen G01N 15/1459
D791,964 S * 7/2017 Lui D24/227
D802,744 S * 11/2017 Bjelovuk D24/108



(56)

References Cited

U.S. PATENT DOCUMENTS

2010/0191199 A1* 7/2010 Evans A61M 1/78
604/319
2018/0153348 A1* 6/2018 Man A47J 37/1223

* cited by examiner

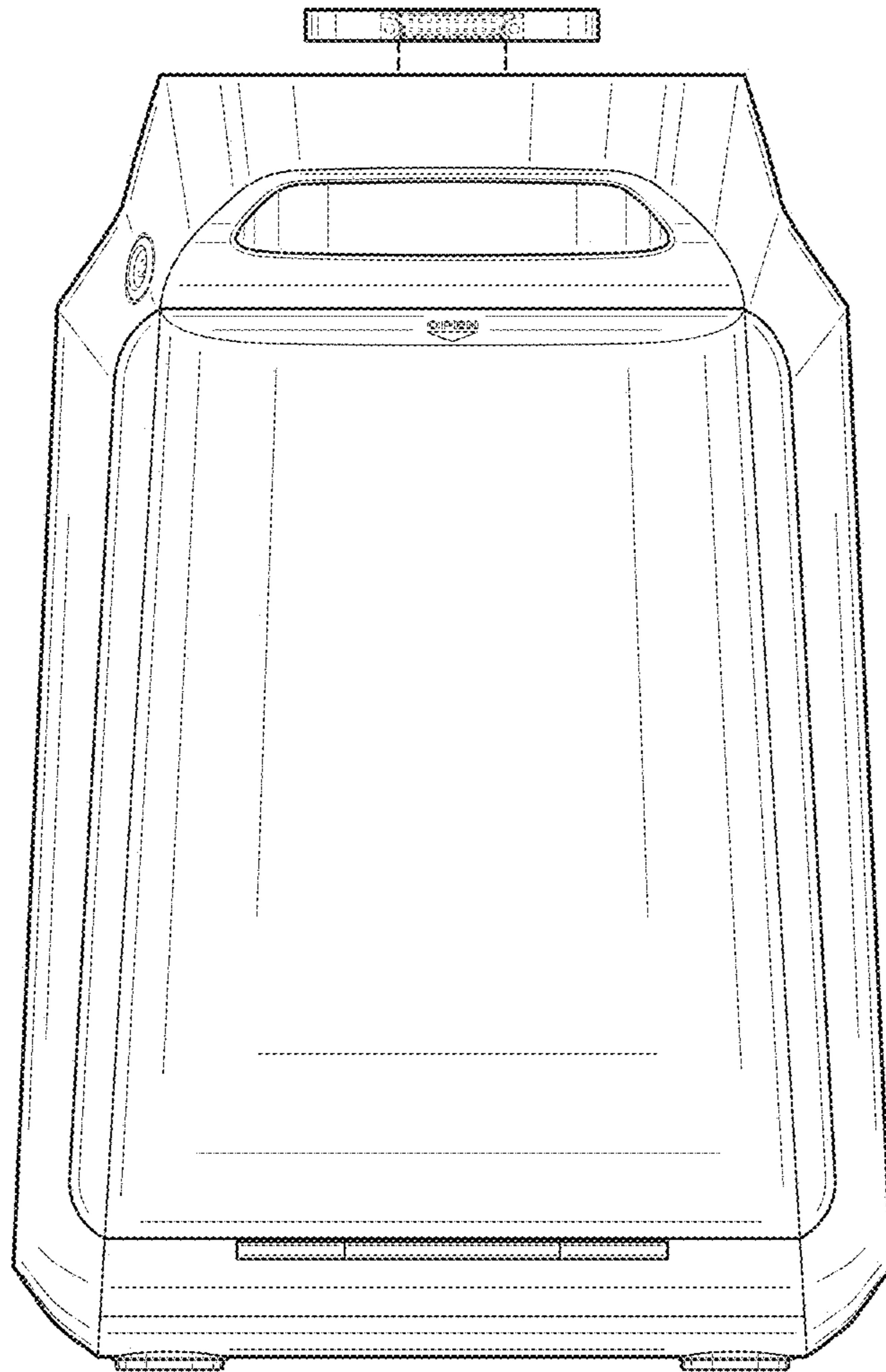


FIG. 1

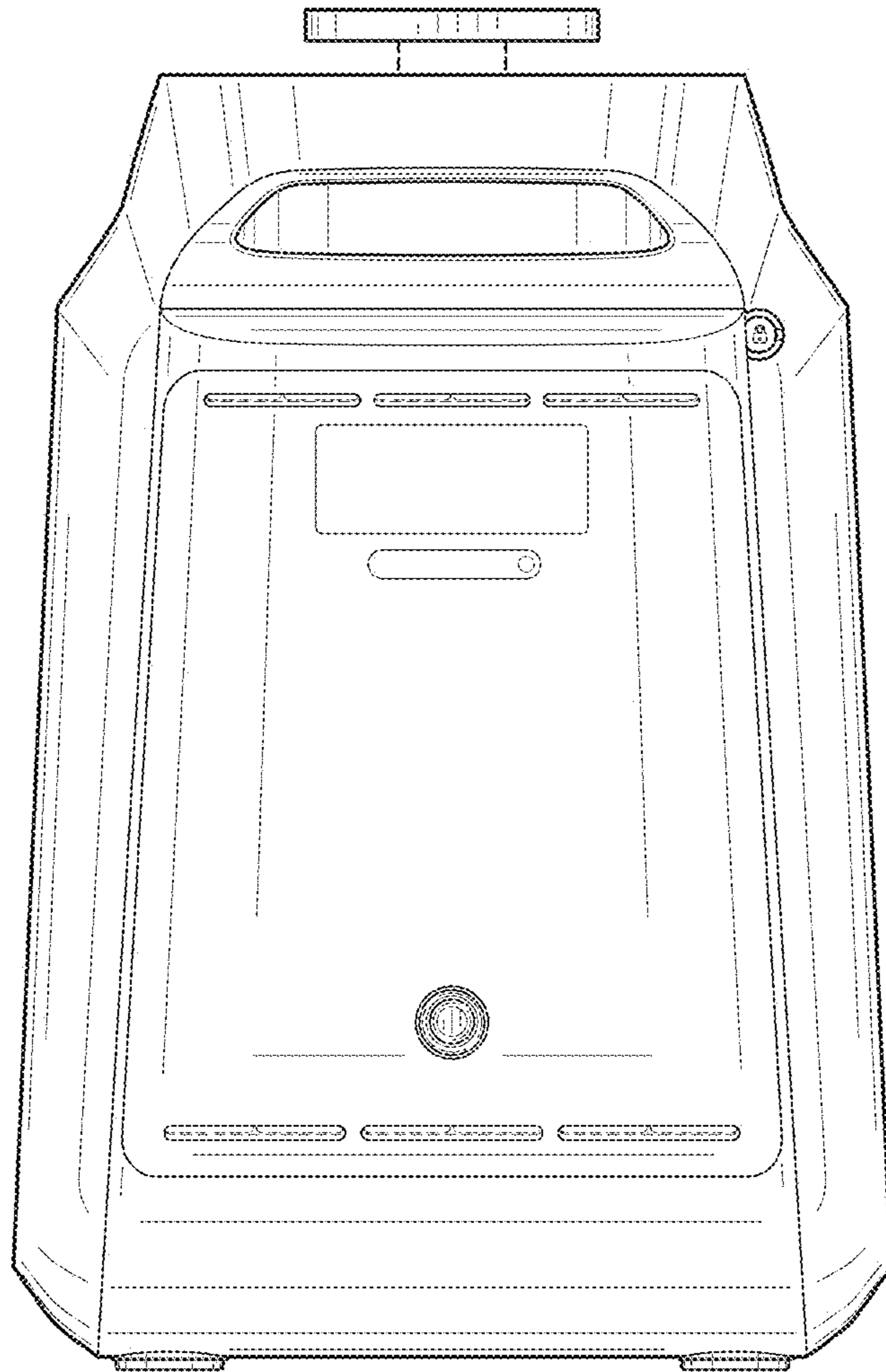


FIG. 2

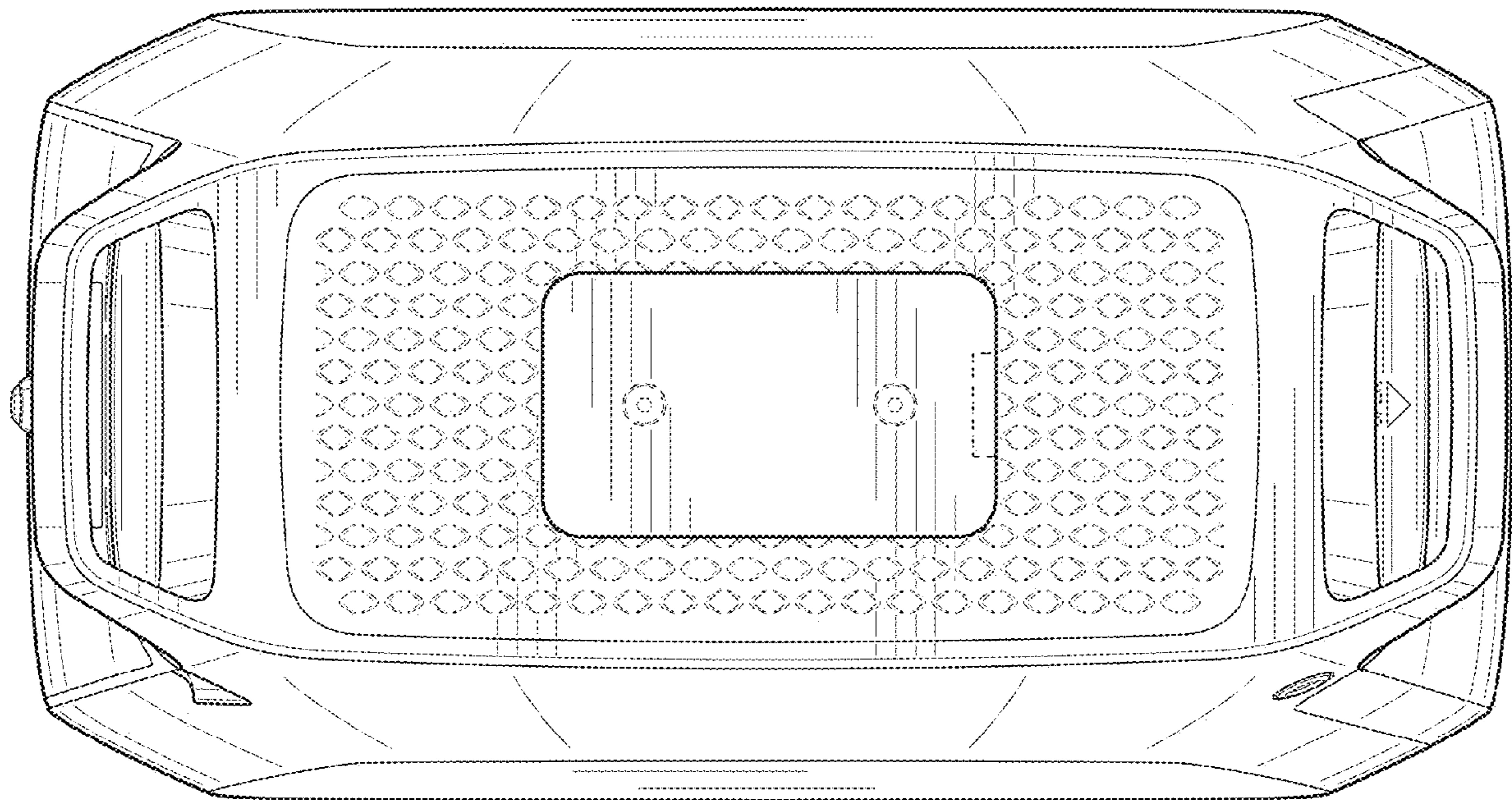


FIG. 3

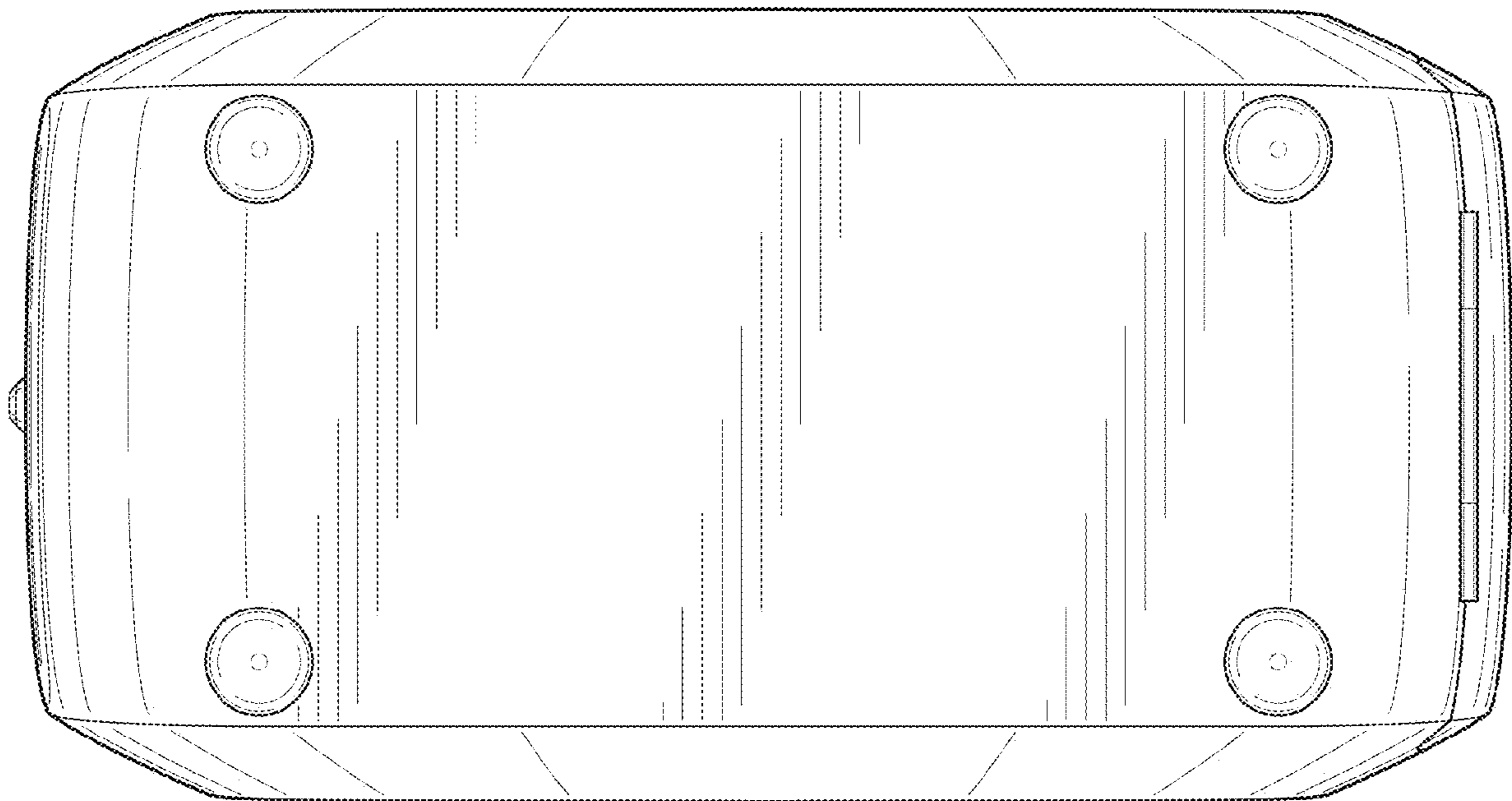


FIG. 4

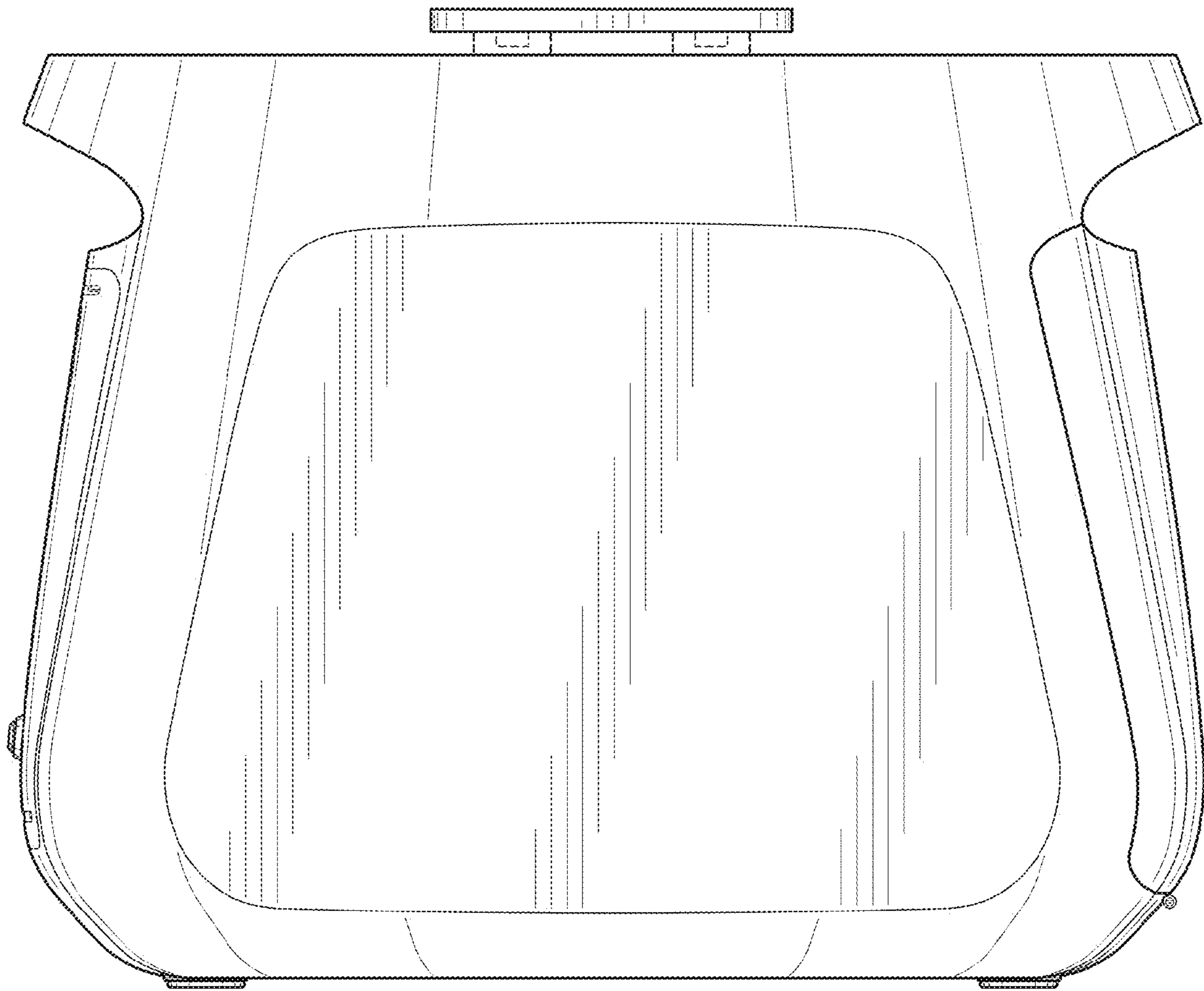


FIG. 5

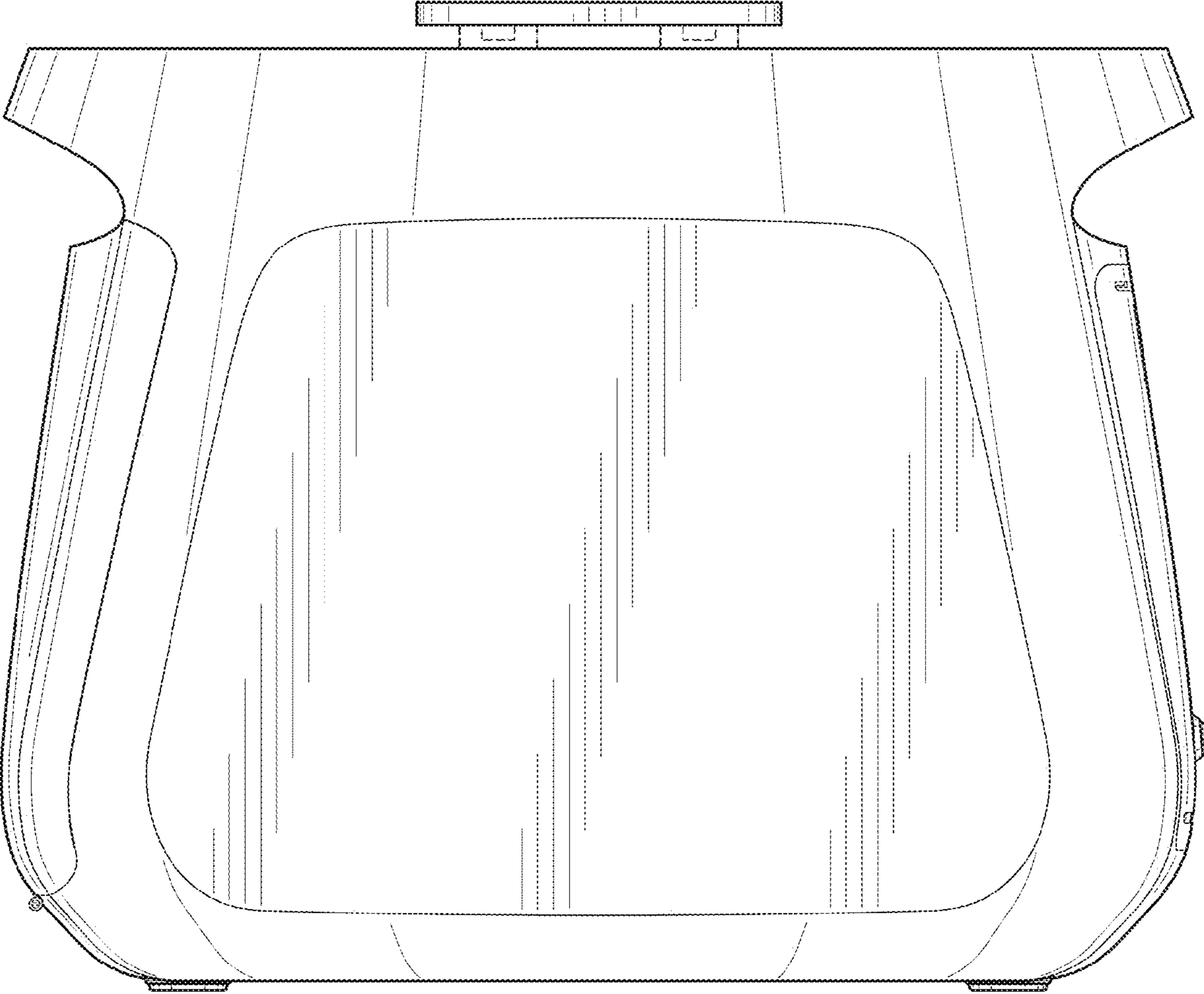


FIG. 6

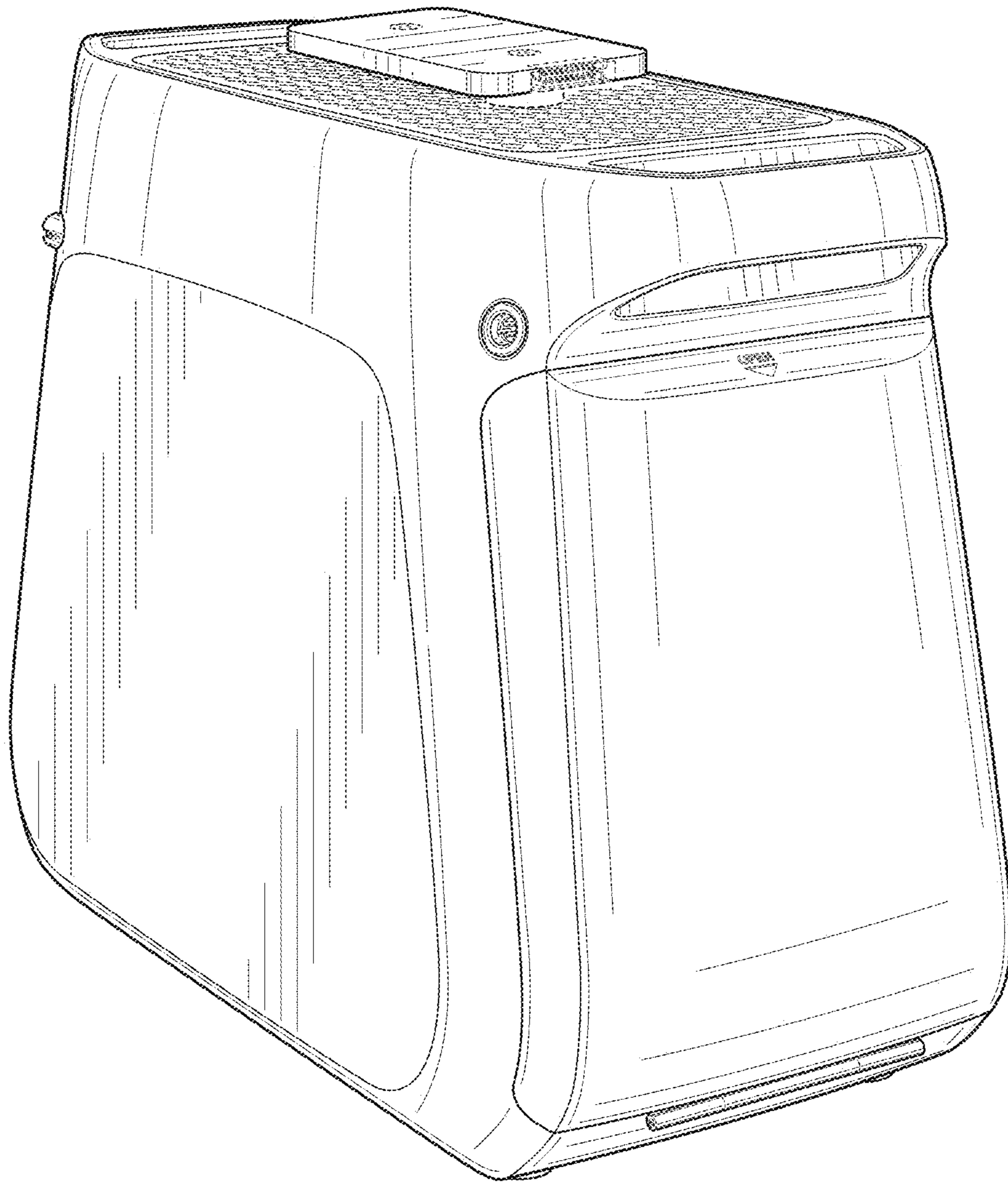


FIG. 7



FIG. 8

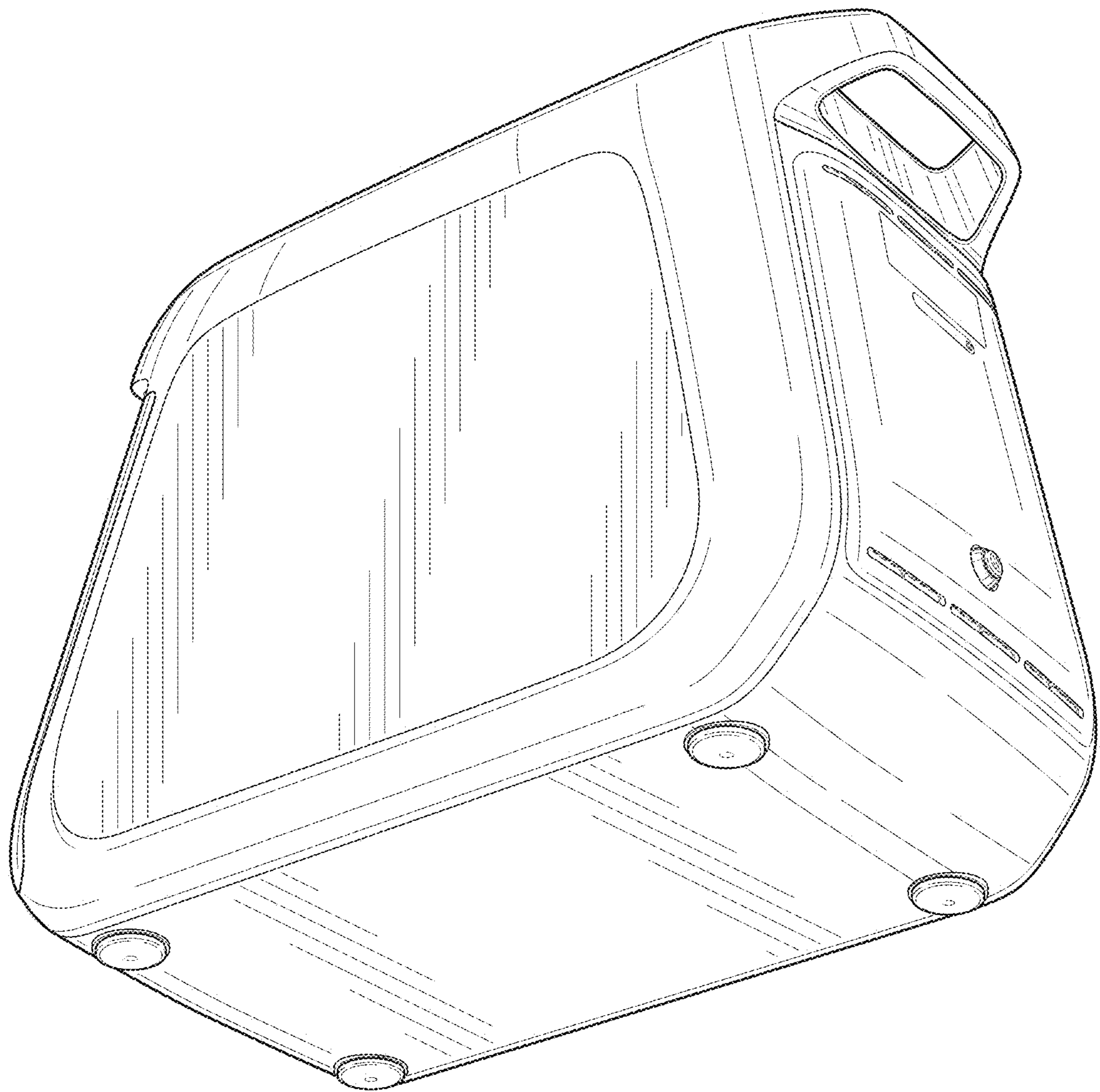


FIG. 9

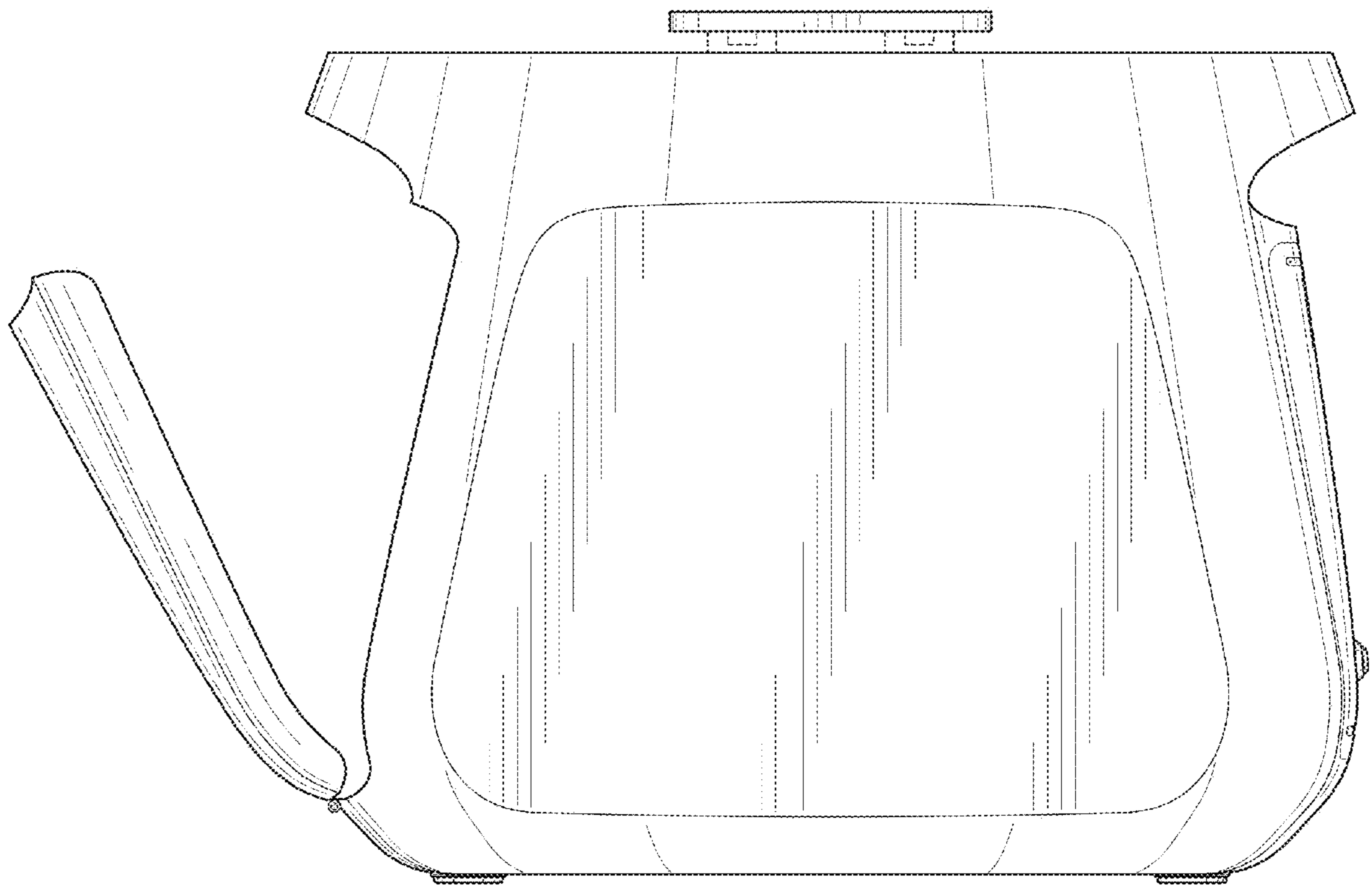


FIG. 10

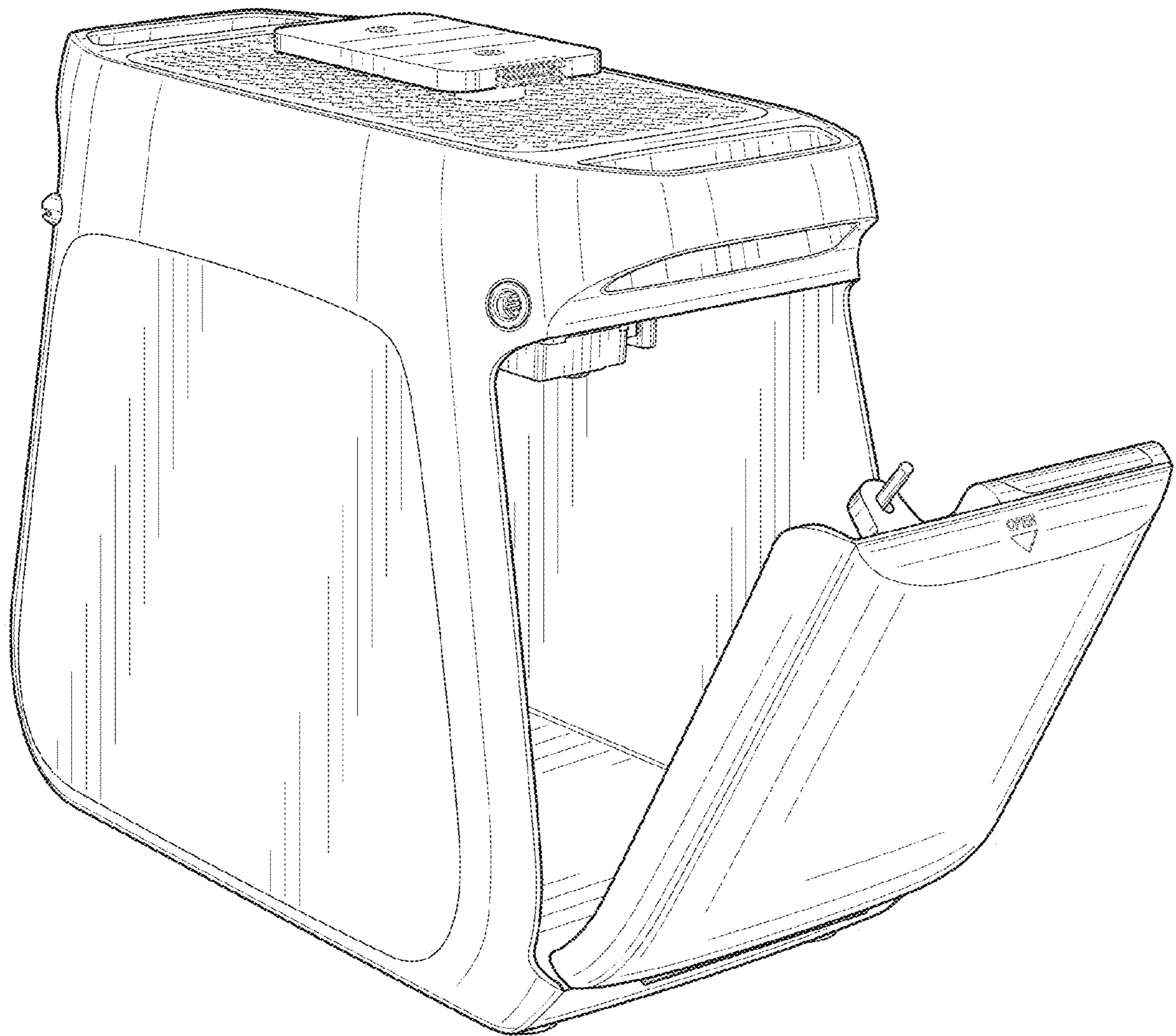


FIG. 11