



US00D979091S

(12) **United States Design Patent**  
**Chi et al.**

(10) **Patent No.:** **US D979,091 S**  
(45) **Date of Patent:** **\*\* Feb. 21, 2023**

(54) **ROW OF MICRO-WELLS**

FOREIGN PATENT DOCUMENTS

(71) Applicant: **BIOPTIC INC.**, New Taipei (TW)

IN 244252 \* 5/2013  
KR 3020190035109 \* 4/2020

(72) Inventors: **Hsien-Liang Chi**, New Taipei (TW);  
**Lo-Yao Yu**, New Taipei (TW)

*Primary Examiner* — Omeed Agilee

(73) Assignee: **BIOPTIC INC.**, New Taipei (TW)

(74) *Attorney, Agent, or Firm* — Donald E. Stout; Stout,  
Uxa & Buyan, LLP

(\*\*) Term: **15 Years**

(57) **CLAIM**

(21) Appl. No.: **29/764,702**

The ornamental design for a row of micro-wells, as shown  
and described.

(22) Filed: **Dec. 31, 2020**

(30) **Foreign Application Priority Data**

**DESCRIPTION**

Jul. 3, 2020 (TW) ..... 109303596

(51) **LOC (14) Cl.** ..... **24-02**

(52) **U.S. Cl.**  
USPC ..... **D24/224; D24/230**

(58) **Field of Classification Search**  
USPC ..... D24/107, 121, 169, 186, 216, 217,  
D24/223–230; D9/756–758; D3/294,  
D3/295  
CPC .. B01L 9/06; B01L 3/502; B01L 3/545; B01L  
3/50851  
See application file for complete search history.

FIG. 1 is a perspective view of a row of micro-wells showing  
our new design;  
FIG. 2 is a front elevational view thereof;  
FIG. 3 is a rear elevational view thereof;  
FIG. 4 is a left side elevational view thereof;  
FIG. 5 is a right side elevational view thereof;  
FIG. 6 is a top plan view thereof;  
FIG. 7 is a bottom plan view thereof;  
FIG. 8 is another perspective view of the row of micro-wells  
of FIG. 1;  
FIG. 9 is a cross-sectional view of the row of micro-wells  
taken along line 9-9 of FIG. 6;  
FIG. 10 is a cross-sectional view of one micro-well taken  
along line 10-10 of FIG. 6;  
FIG. 11 is a cross-sectional view of one micro-well taken  
along line 11-11 of FIG. 6;  
FIG. 12 is a perspective view showing the row of micro-  
wells before inserting into a plate; and,  
FIG. 13 is a perspective view showing the row of micro-  
wells after inserting into a plate.  
The dashed lines in the drawings depict environmental  
subject matter and form no part of the claimed design.  
The dotted lines depict portions of the row of micro-wells  
that form no part of the claimed design.

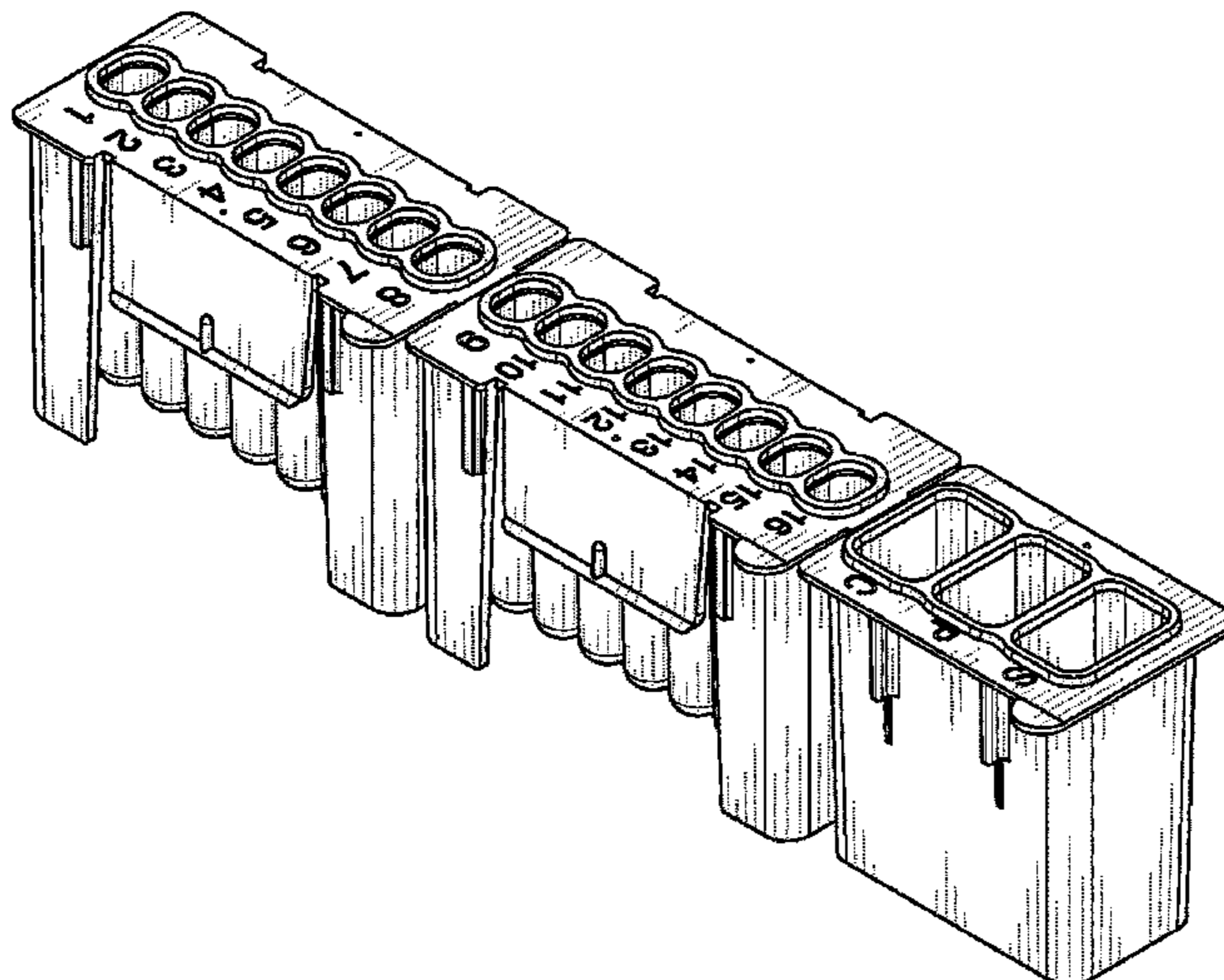
(56) **References Cited**

U.S. PATENT DOCUMENTS

D325,638 S *	4/1992	Sloat	.....	D24/224
D382,346 S *	8/1997	Buhler	.....	D24/227
D413,677 S *	9/1999	Dumitrescu	.....	D24/227
D421,130 S *	2/2000	Cohen	.....	D24/229
6,123,205 A *	9/2000	Dumitrescu	.....	B01L 9/06 211/74
D481,133 S *	10/2003	Blouin	.....	D24/224
D618,820 S *	6/2010	Wilson	.....	D24/227
D637,737 S *	5/2011	Wilson	.....	D24/230
D665,095 S *	8/2012	Wilson	.....	D24/227
D782,064 S *	3/2017	Shanafelter	.....	D24/227
D811,616 S *	2/2018	Shanafelter	.....	D24/227

(Continued)

**1 Claim, 11 Drawing Sheets**



(56)

**References Cited**

U.S. PATENT DOCUMENTS

D831,843 S *	10/2018	Lentz .....	D24/224
D849,961 S *	5/2019	Muller .....	D24/224
D907,797 S *	1/2021	Zergiebel .....	D24/224
2012/0051987 A1 *	3/2012	Johnson .....	B01L 9/06 422/562
2015/0132841 A1 *	5/2015	Sampson .....	B01L 9/06 422/561

\* cited by examiner

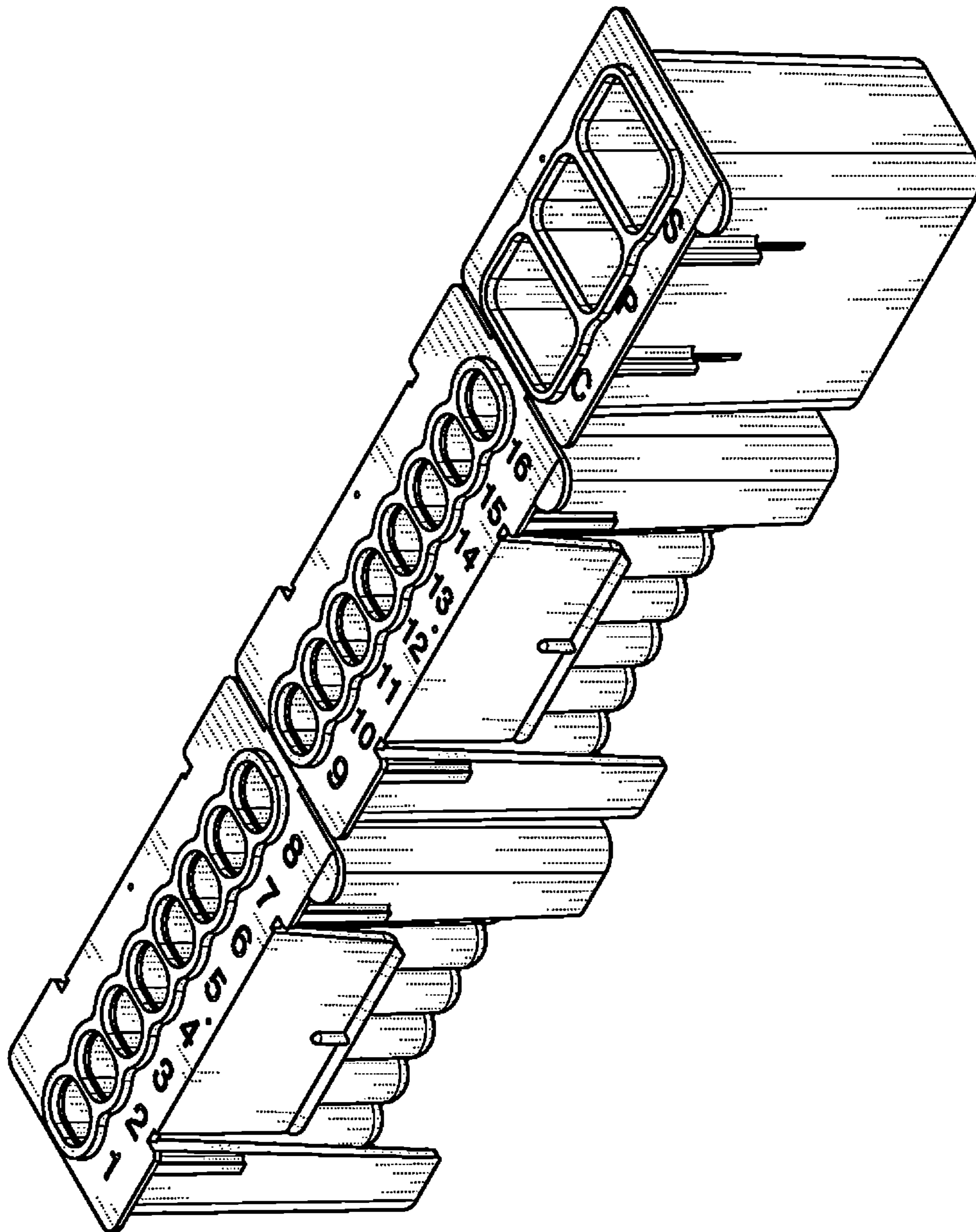


FIG. 1

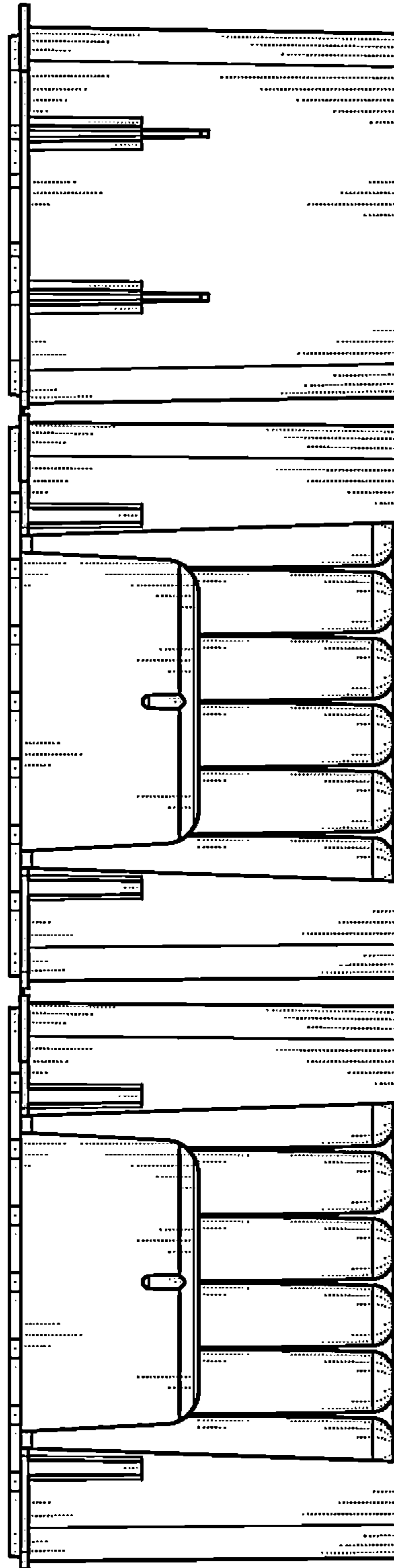


FIG. 2

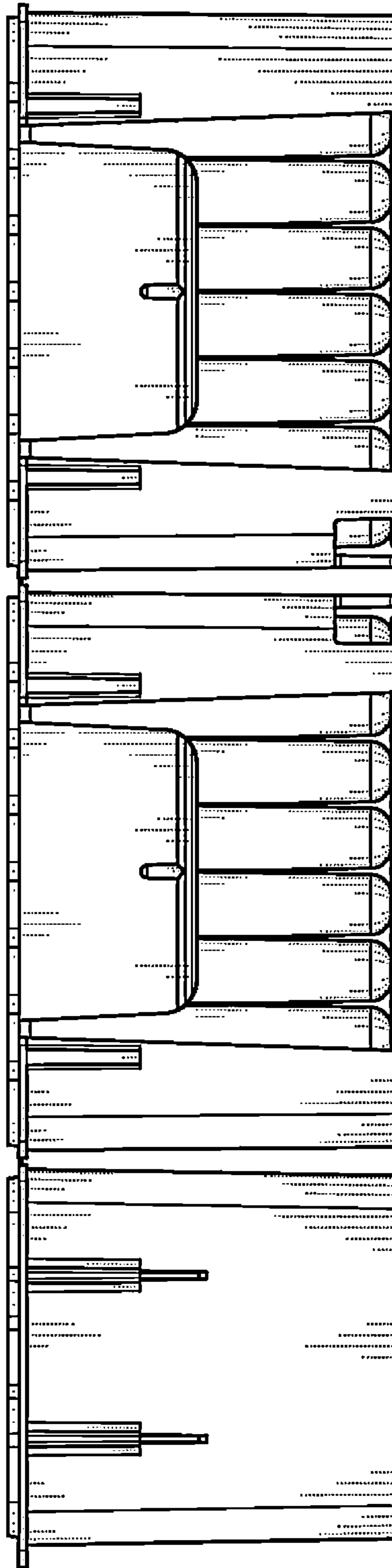


FIG. 3

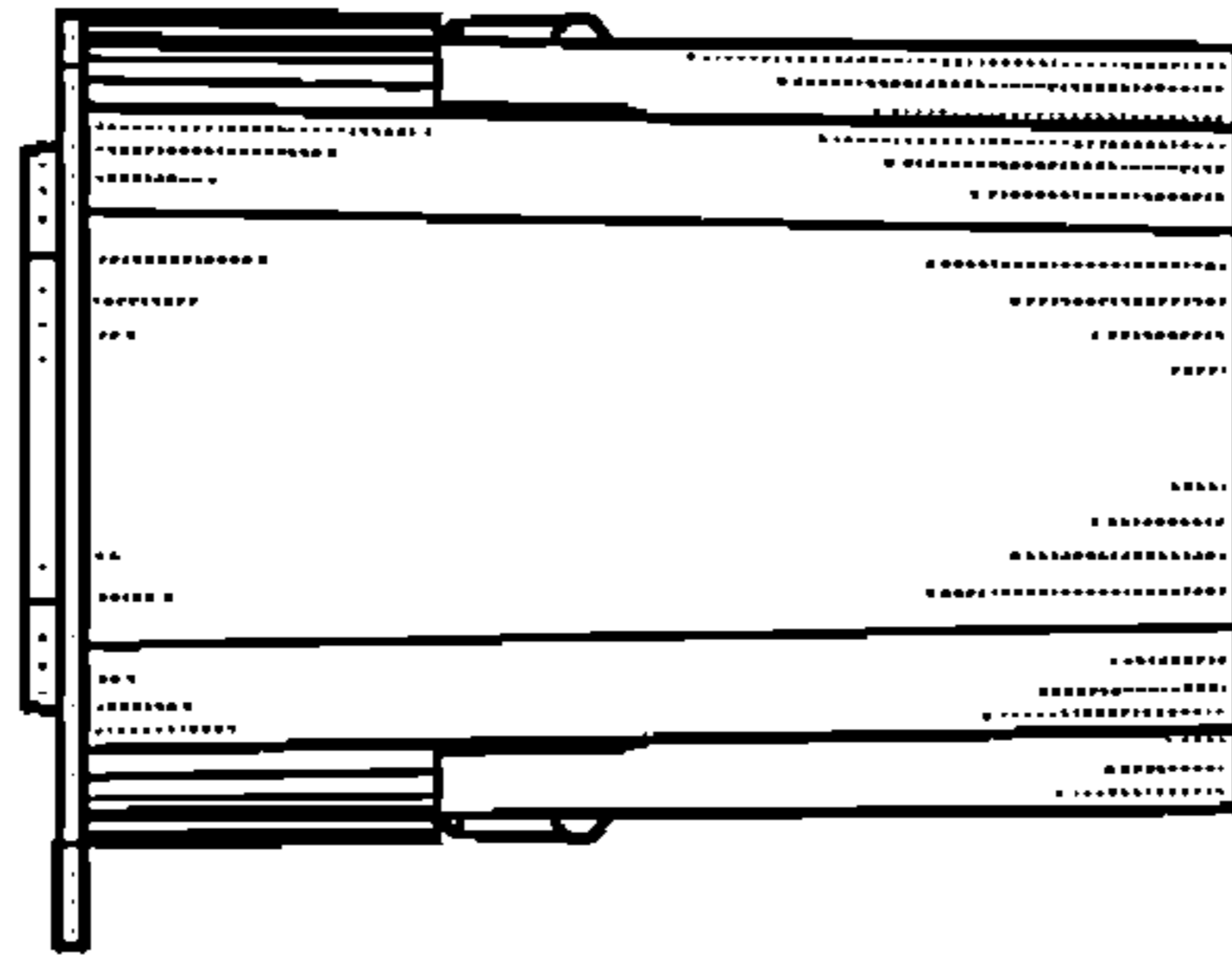


FIG. 5

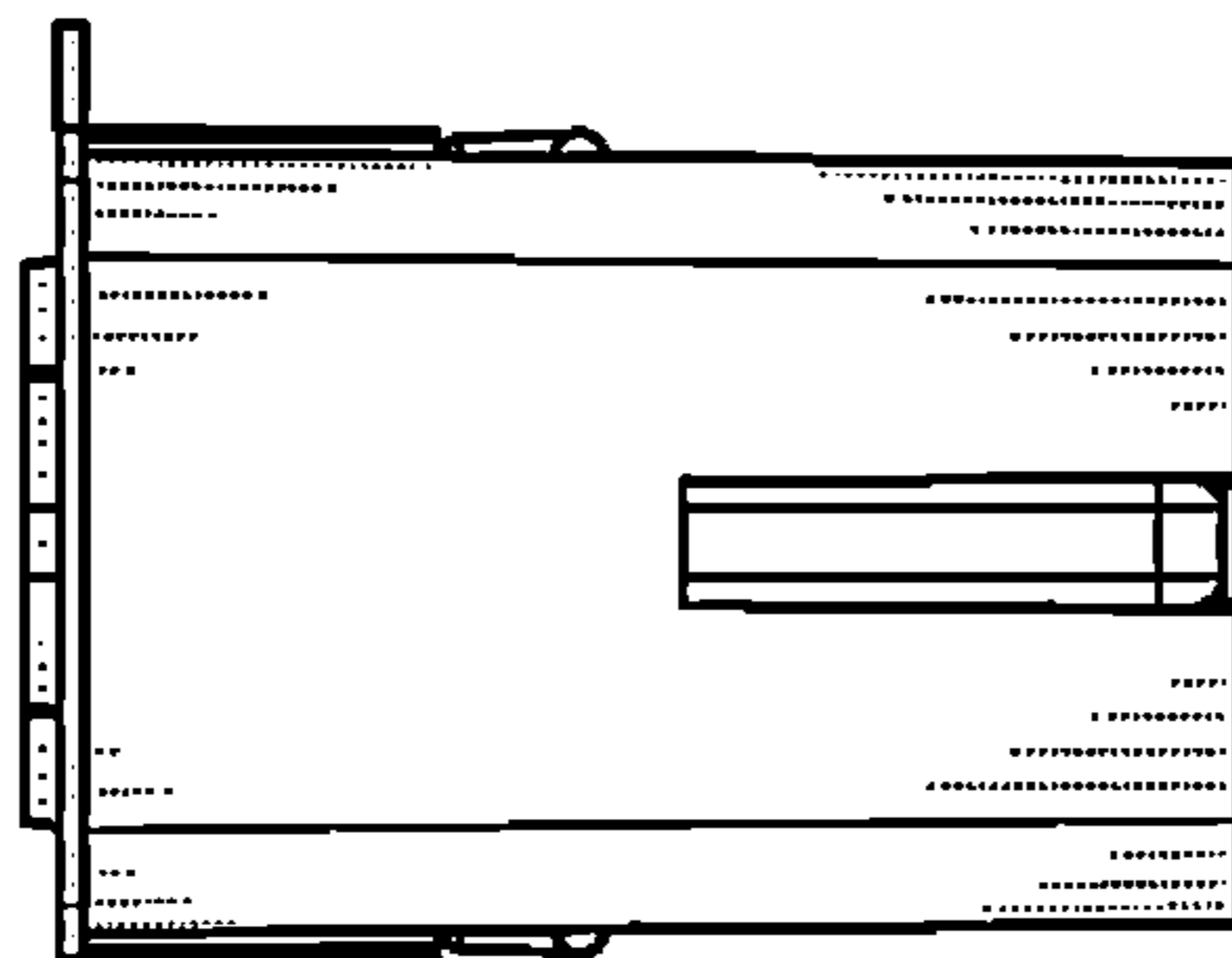


FIG. 4

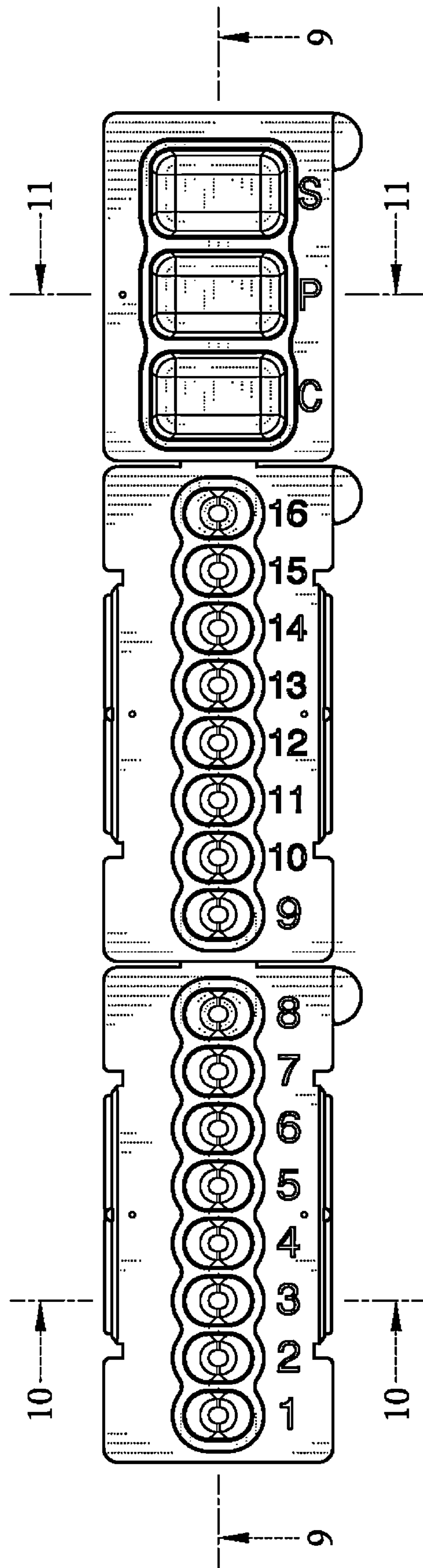


FIG. 6

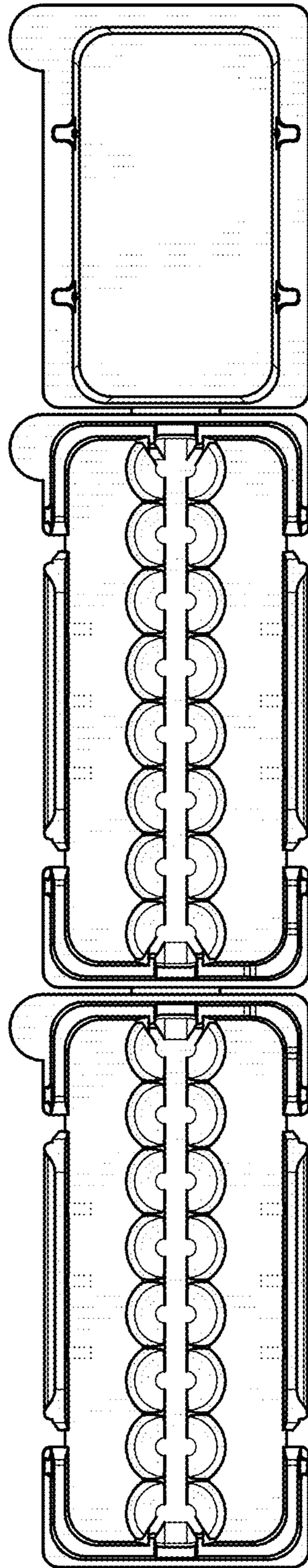


FIG. 7



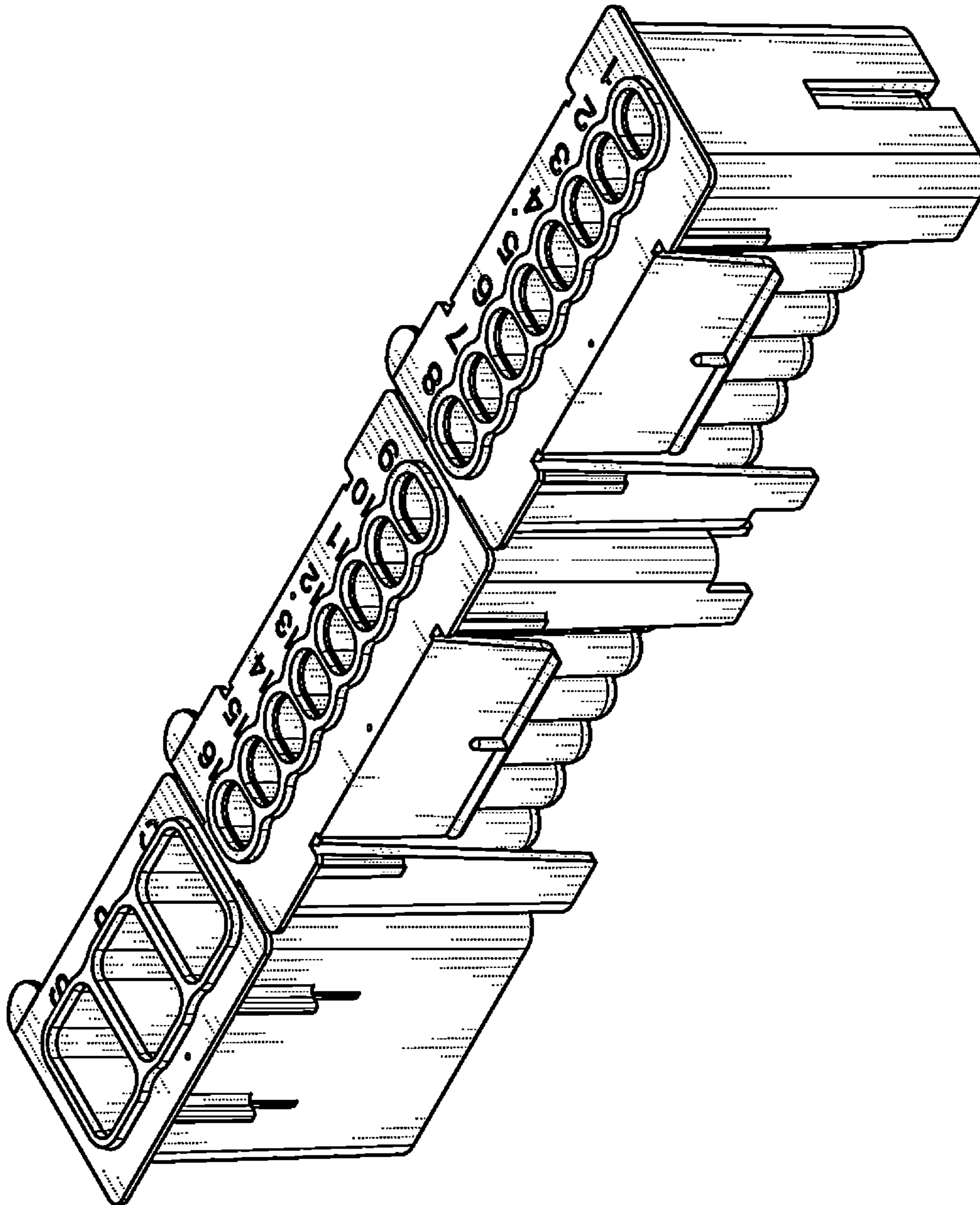


FIG. 8

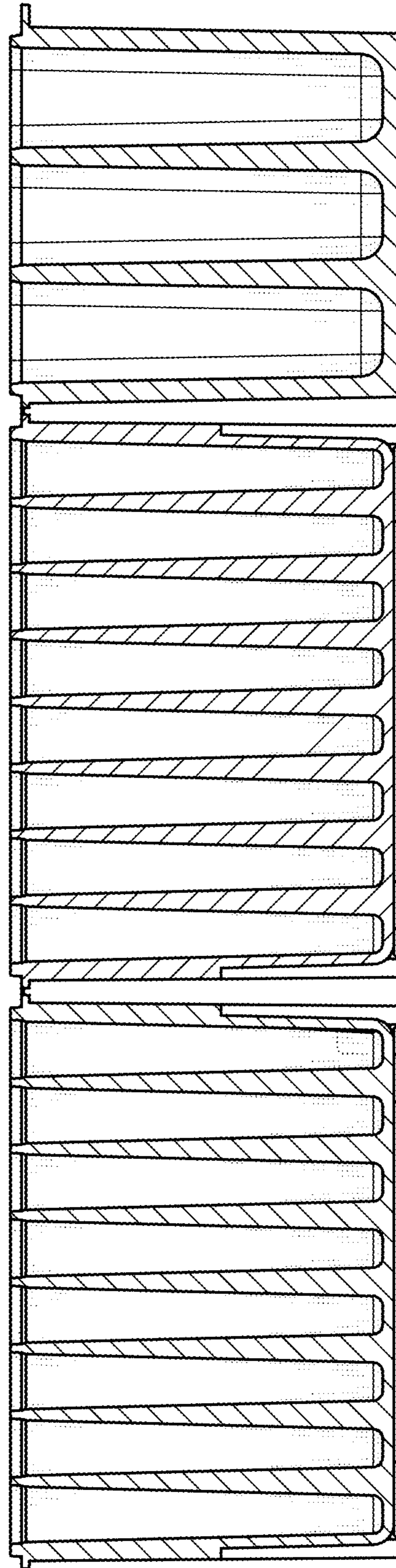


FIG. 9

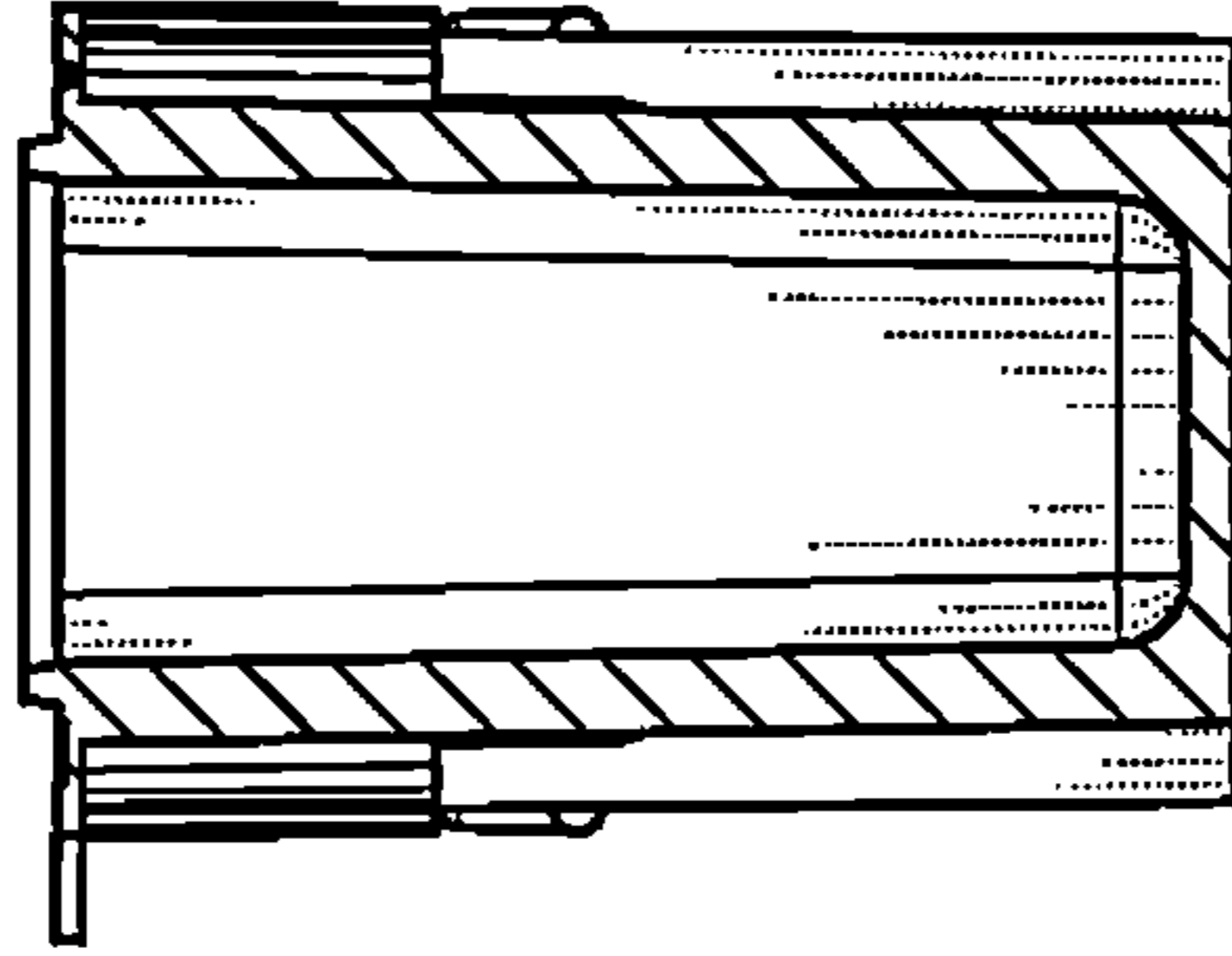


FIG. 11

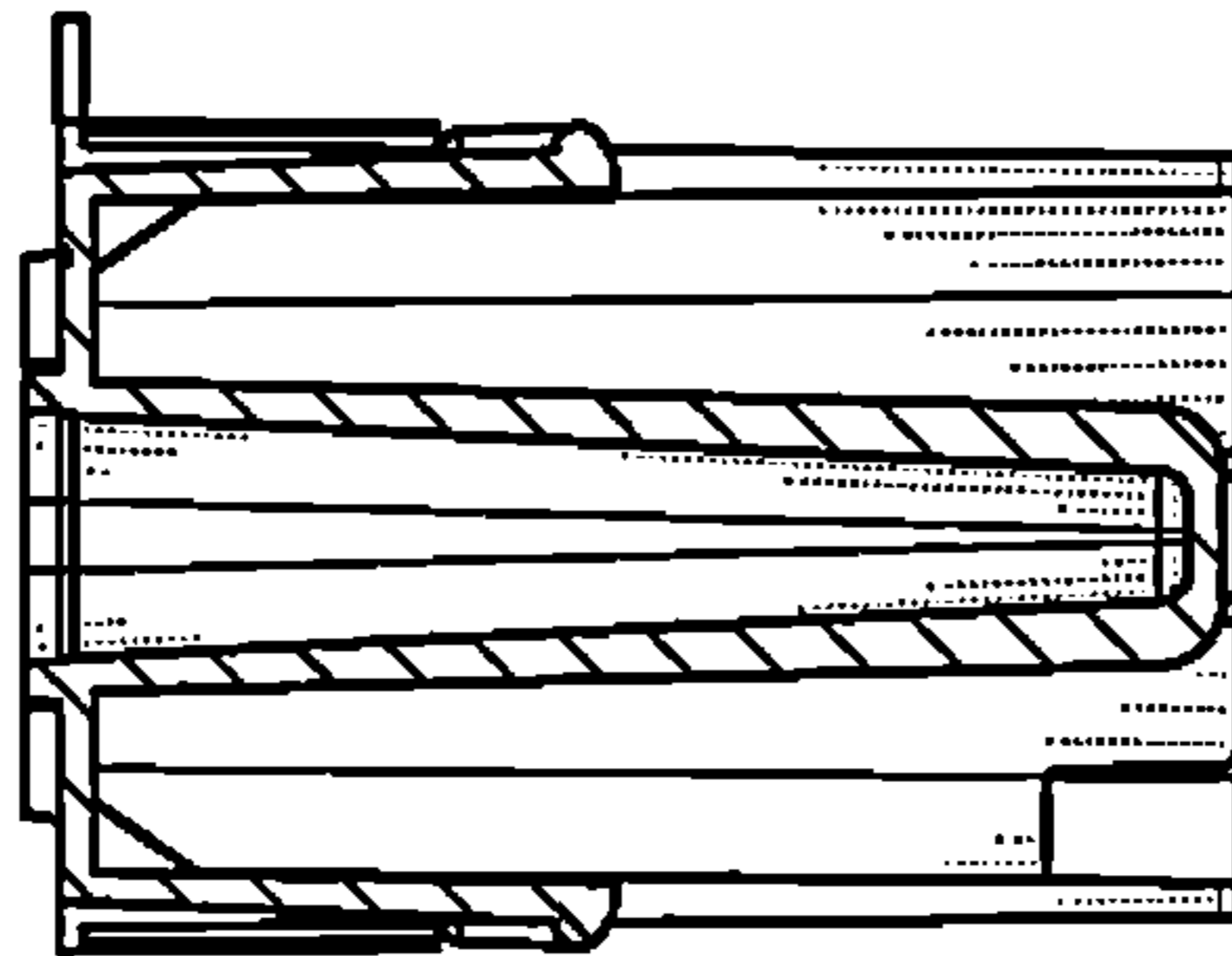


FIG. 10

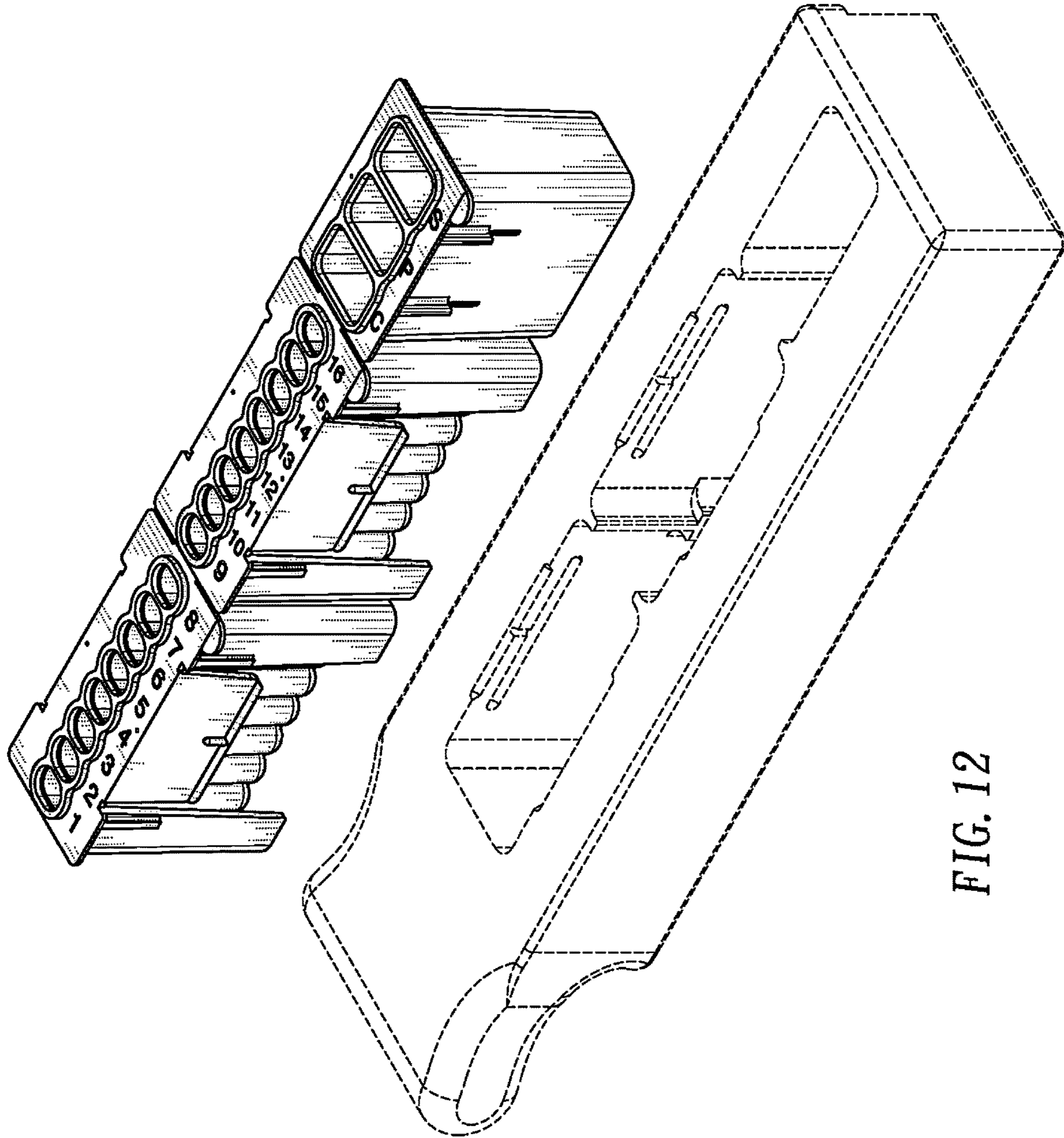


FIG. 12

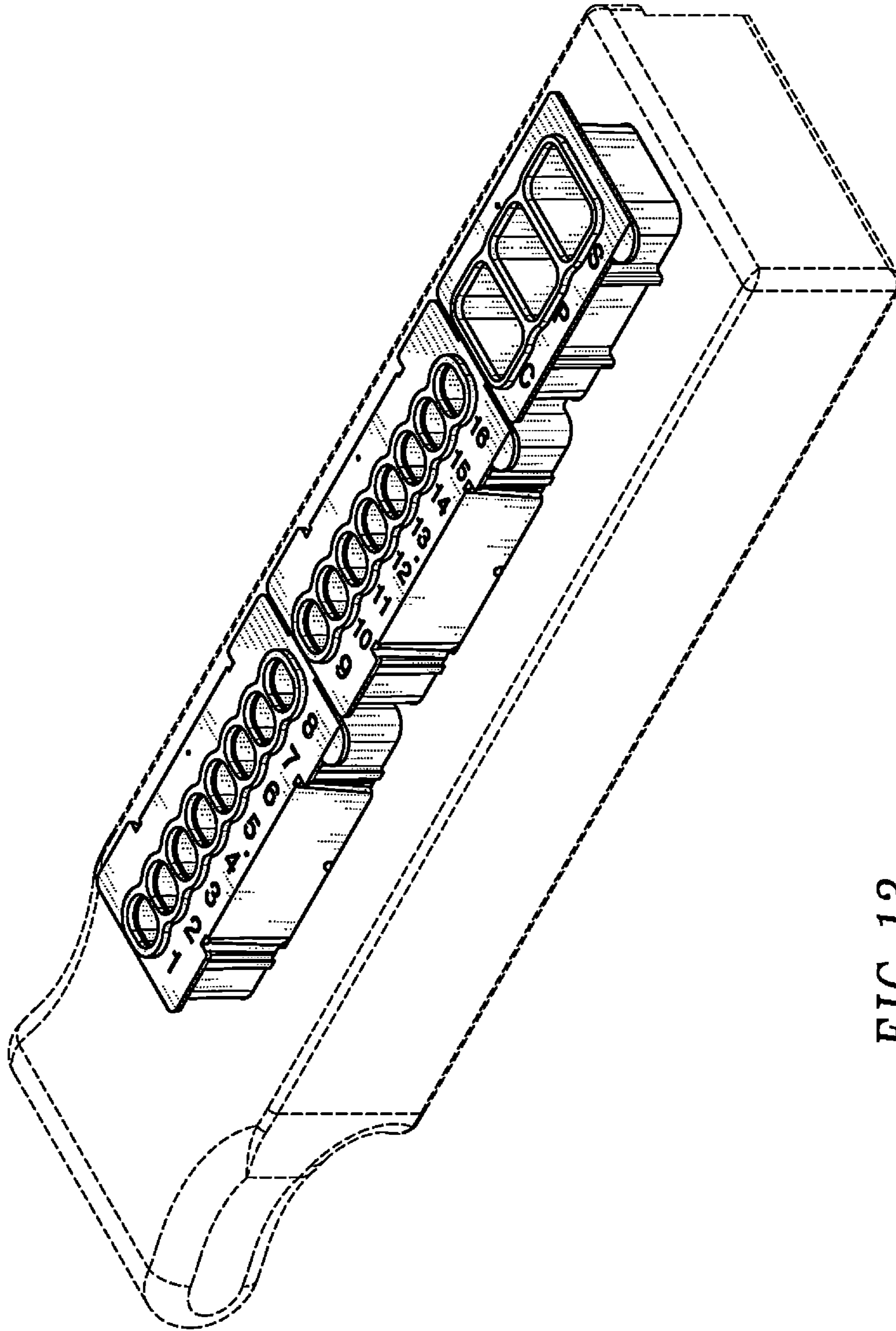


FIG. 13