



US00D979090S

(12) **United States Design Patent** (10) **Patent No.:** **US D979,090 S**  
**Suenaga** (45) **Date of Patent:** **\*\* Feb. 21, 2023**

(54) **CELL CULTURE BAG**  
(71) Applicant: **Toyo Seikan Group Holdings, Ltd.**,  
Tokyo (JP)  
(72) Inventor: **Ryo Suenaga**, Yokohama (JP)  
(73) Assignee: **TOYO SEIKAN GROUP HOLDINGS, LTD.**, Tokyo (JP)

D868,775 S \* 12/2019 Akana ..... D14/341  
10,772,798 B2 \* 9/2020 Lev ..... A61J 1/10  
D900,311 S \* 10/2020 Henaut ..... D24/118  
D903,860 S \* 12/2020 Tashiro ..... D24/118  
D907,238 S \* 1/2021 Shinoda ..... D24/224  
D908,869 S \* 1/2021 Kumar ..... D24/118  
D909,572 S \* 2/2021 Knoedler ..... D24/118

(Continued)

(\*\*) Term: **15 Years**  
(21) Appl. No.: **29/756,401**  
(22) Filed: **Oct. 28, 2020**

FOREIGN PATENT DOCUMENTS  
CN 305690796 S 4/2020  
JP D1600530 S 3/2018  
TW D183675 S 6/2017

(30) **Foreign Application Priority Data**  
Apr. 28, 2020 (JP) ..... 2020-008709 D  
(51) **LOC (14) Cl.** ..... **24-02**  
(52) **U.S. Cl.**  
USPC ..... **D24/224**; D24/118  
(58) **Field of Classification Search**  
USPC ..... D24/108, 111, 118, 127, 128, 189;  
D9/436, 439, 440, 447, 702, 707, 709,  
D9/710, 711, 712, 723  
CPC ..... C12M 23/14; C12M 47/04  
See application file for complete search history.

OTHER PUBLICATIONS  
Custom Assemblies. Online, published date unknown. Retrieved on  
Jan. 12, 2022 from URL: [https://www.celltherapy.saint-gobain.com/products/custom-capabilities/custom-assemblies.\\*](https://www.celltherapy.saint-gobain.com/products/custom-capabilities/custom-assemblies.*)  
(Continued)

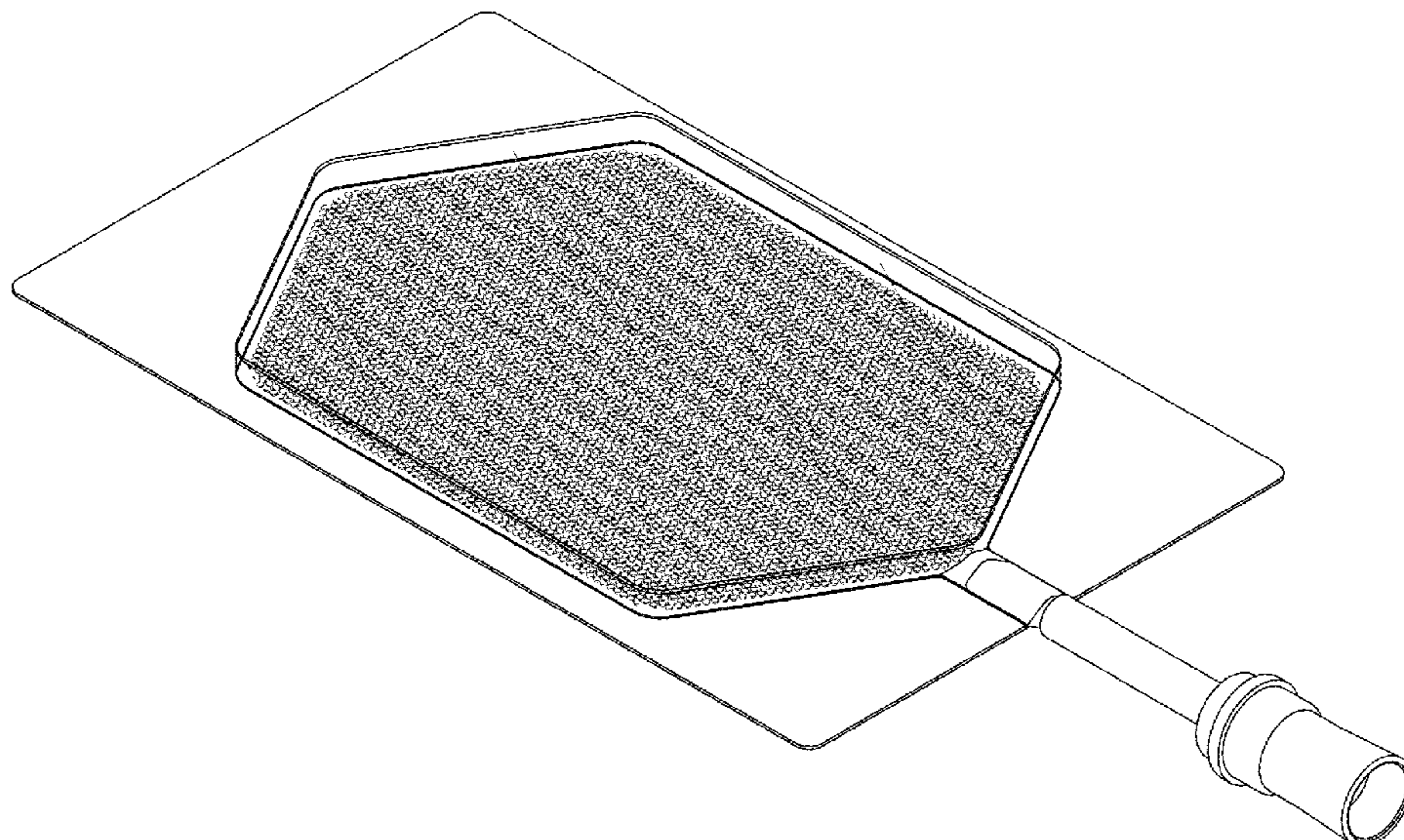
*Primary Examiner* — Omeed Agilee  
(74) *Attorney, Agent, or Firm* — Manabu Kanesaka

(56) **References Cited**  
U.S. PATENT DOCUMENTS  
D289,551 S \* 4/1987 Steer ..... D24/118  
D303,574 S \* 9/1989 Steer ..... D24/118  
D622,375 S \* 8/2010 Tsuruoka ..... D24/127  
D690,828 S \* 10/2013 Yoon ..... D24/224  
D699,343 S \* 2/2014 Clements ..... D24/118  
D699,719 S \* 2/2014 Akana ..... D14/341  
D748,812 S \* 2/2016 Kenney ..... D24/224  
D785,165 S \* 4/2017 Nordquist ..... D24/118  
D787,699 S 5/2017 Ohsaka et al.  
D837,399 S 1/2019 Hatakeyama et al.  
D851,276 S \* 6/2019 Ito ..... D24/226

(57) **CLAIM**  
The ornamental design for a cell culture bag, as shown and described.

**DESCRIPTION**  
FIG. 1 is a front view of a cell culture bag showing my new design;  
FIG. 2 is a rear view thereof;  
FIG. 3 is a right side view thereof, a left side view being symmetrical to the right side view thereof;  
FIG. 4 is a top plan view thereof;  
FIG. 5 is a bottom plan view thereof;  
FIG. 6 is a top perspective view thereof; and,  
FIG. 7 is an enlarged cross-sectional view thereof along the line 7-7 in FIG. 4.

**1 Claim, 6 Drawing Sheets**



(56)

**References Cited**

U.S. PATENT DOCUMENTS

D936,856 S \* 11/2021 Hawkins ..... G01N 15/1475  
D24/225  
2016/0177245 A1\* 6/2016 Johnson ..... C12M 23/14  
435/401  
2017/0158996 A1\* 6/2017 Kimura ..... C12M 23/14  
2017/0335272 A1\* 11/2017 Tsai ..... C12M 23/58  
2021/0169739 A1\* 6/2021 Brandenburger ..... B32B 3/08

OTHER PUBLICATIONS

Taiwan Intellectual Property Office, "Search Report for Taiwanese Design Patent Application 109305946," dated Jan. 21, 2021.  
Taiwan Intellectual Property Office, "Search Report for Taiwanese Design Patent Application 109305947," dated Jan. 21, 2021.  
Taiwan Intellectual Property Office, "Search Report for Taiwanese Design Patent Application 109305948," dated Jan. 21, 2021.  
Taiwan Intellectual Property Office, "Search Report for Taiwanese Design Patent Application 109305951," dated Jan. 21, 2021.  
Taiwan Intellectual Property Office, "Search Report for Taiwanese Design Patent Application 109305952," dated Jan. 21, 2021.  
Taiwan Intellectual Property Office, "Search Report for Taiwanese Design Patent Application 109305954," dated Jan. 21, 2021.  
Taiwan Intellectual Property Office, "Search Report for Taiwanese Design Patent Application 109305964," dated Jan. 21, 2021.

\* cited by examiner

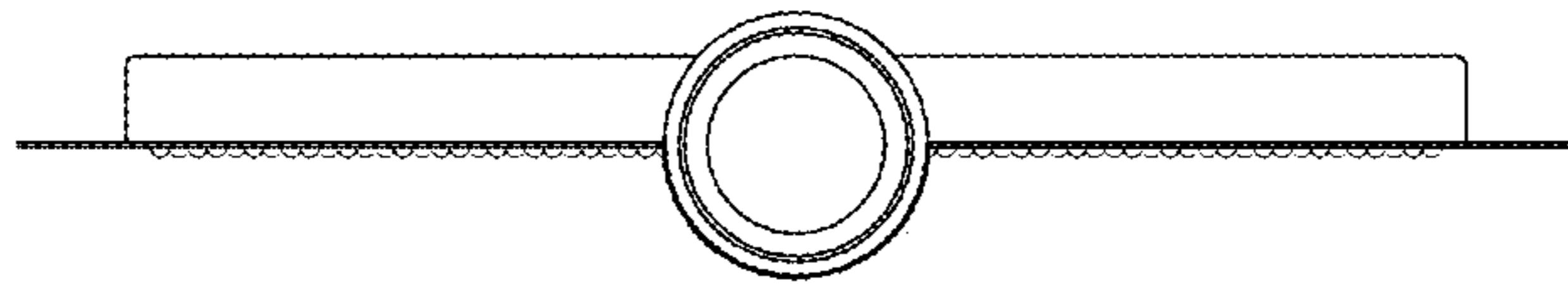


FIG. 1

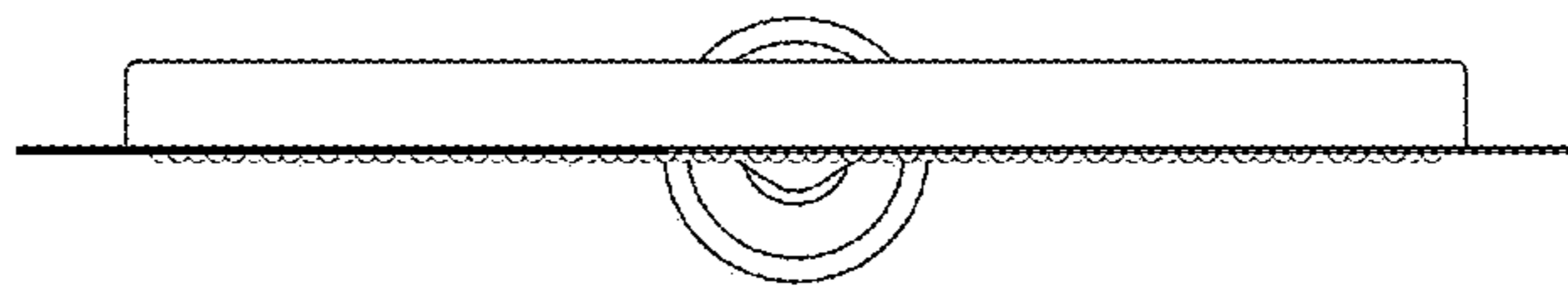


FIG. 2

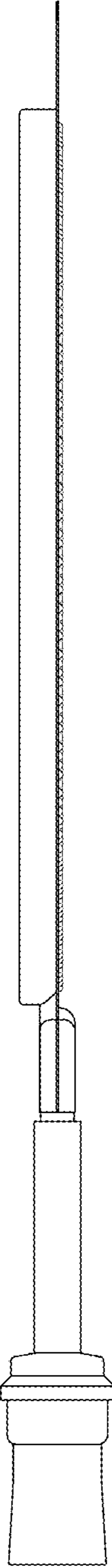


FIG. 3

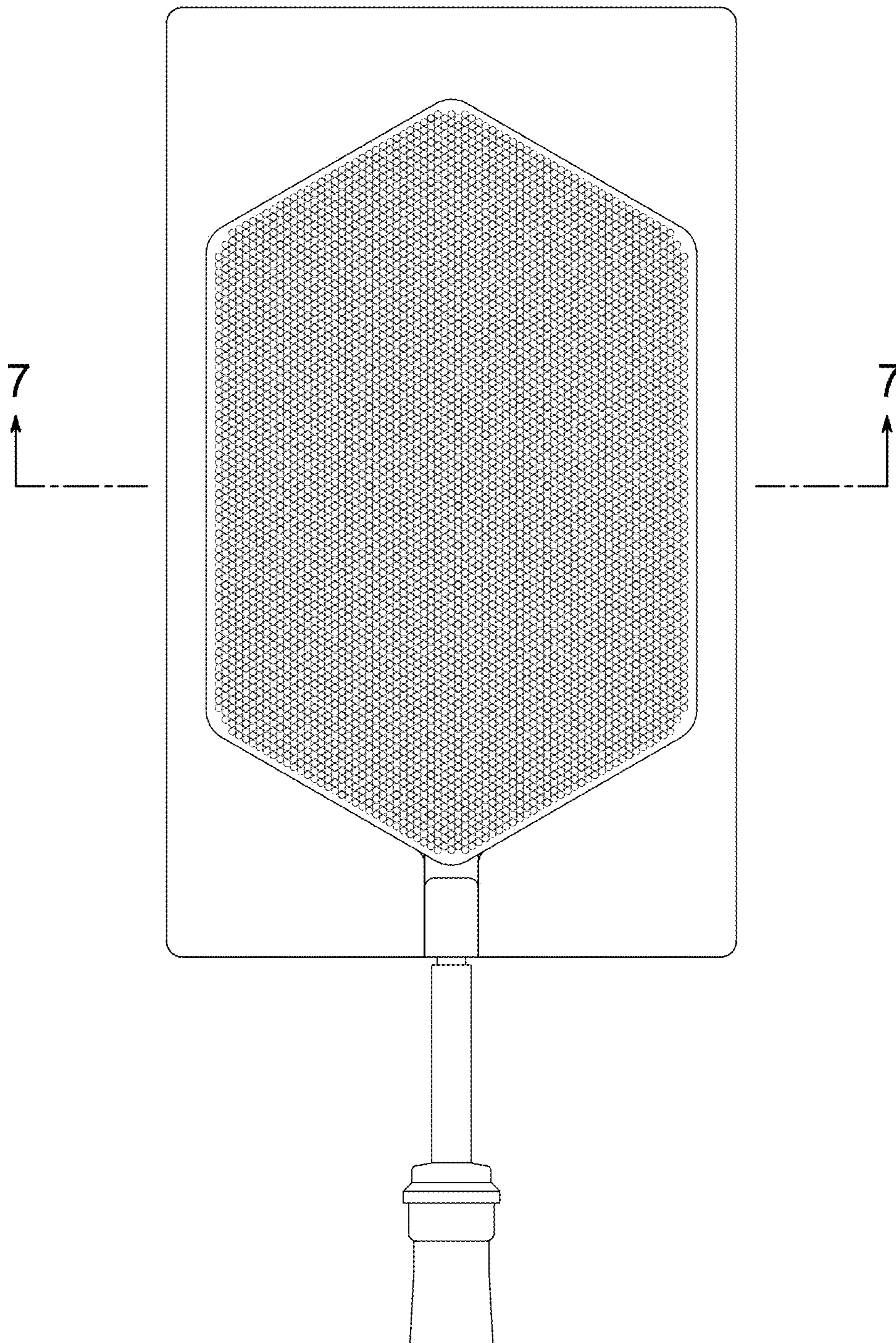


FIG. 4

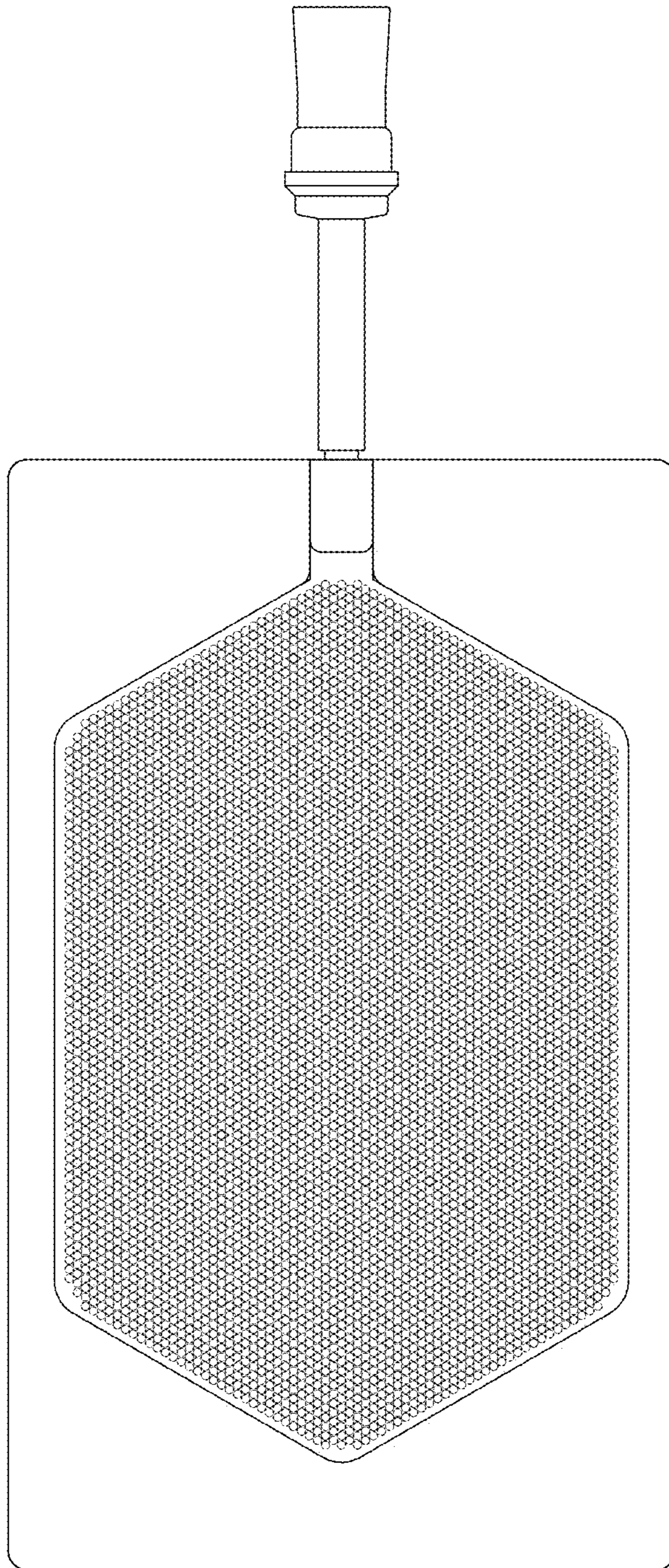


FIG. 5

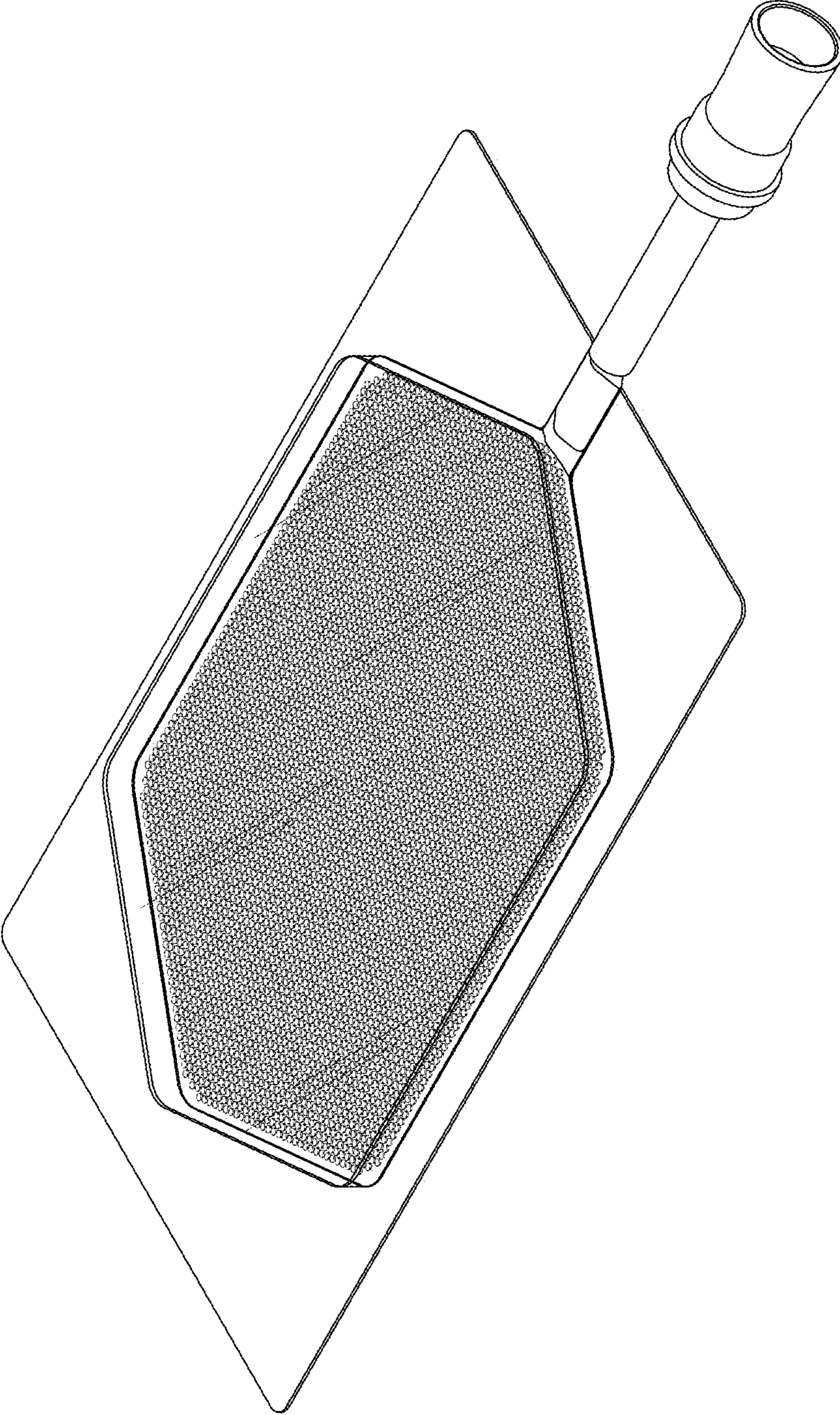


FIG. 6

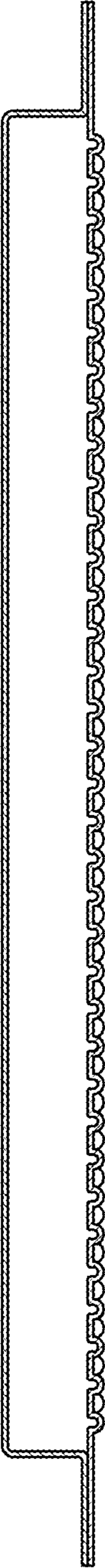


FIG. 7