



US00D979089S

(12) **United States Design Patent** (10) **Patent No.:** **US D979,089 S**
LaPorte et al. (45) **Date of Patent:** **** Feb. 21, 2023**

- (54) **SANITIZATION CABINET**
- (71) Applicant: **PHONESOAP LLC**, Lehi, UT (US)
- (72) Inventors: **Wesley David LaPorte**, Provo, UT (US); **Daniel Harrison Barnes**, Lehi, UT (US)
- (73) Assignee: **PHONESOAP LLC**, Lehi, UT (US)
- (**) Term: **15 Years**
- (21) Appl. No.: **29/798,319**
- (22) Filed: **Jul. 7, 2021**

Related U.S. Application Data

- (63) Continuation of application No. 29/711,766, filed on Nov. 1, 2019, now Pat. No. Des. 925,060.
 - (51) **LOC (14) Cl.** **24-01**
 - (52) **U.S. Cl.**
USPC **D24/217**
 - (58) **Field of Classification Search**
USPC D24/216, 217, 218, 219, 231, 232, 234, D24/209, 210; D3/203.1, 294; D32/1
CPC A61L 2/26; A61L 2/24; A61L 2/07; A61L 2/08; A61L 2/18; A61L 2/25; A61L 2202/122; A61L 2202/10; A61L 2202/11; A61L 2202/14; A61L 2202/23; A61L 2202/24; A61L 2202/182
- See application file for complete search history.

- (56) **References Cited**
- U.S. PATENT DOCUMENTS
- D893,740 S * 8/2020 Lv D24/217
- D900,333 S * 10/2020 Xie D24/217
- D924,428 S * 7/2021 Chen D24/217
- D933,599 S * 10/2021 Lee D24/217
- D933,600 S * 10/2021 Wang D24/217
- D936,579 S * 11/2021 Wang D24/217
- D941,489 S * 1/2022 Lu D24/217
- D942,644 S * 2/2022 Zheng D24/217

* cited by examiner

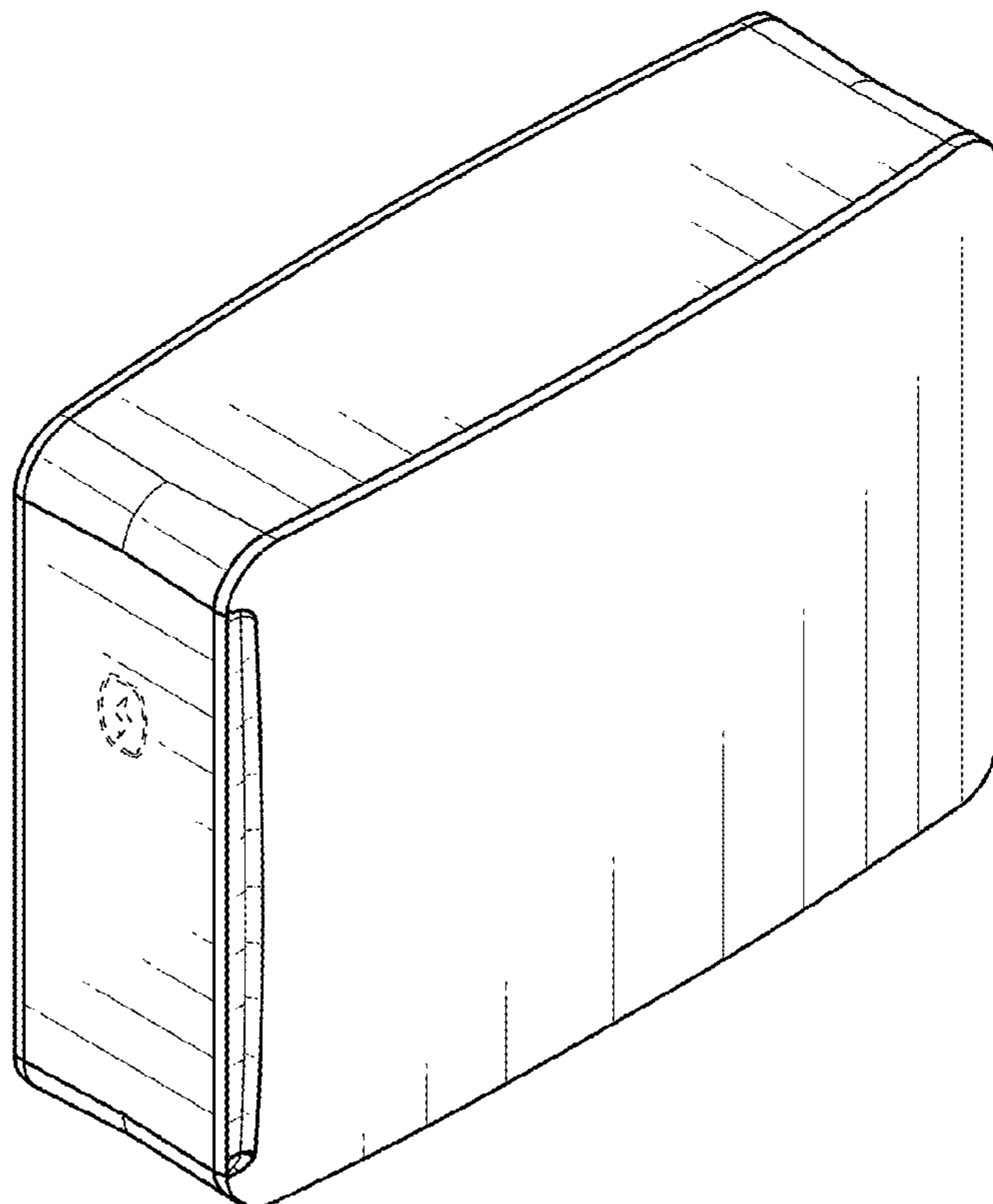
Primary Examiner — Anhdao Doan
(74) *Attorney, Agent, or Firm* — Stoel Rives LLP

(57) **CLAIM**
The ornamental design for a sanitization cabinet, as shown and described.

DESCRIPTION

FIG. 1 is a top, front, and right side perspective view of a sanitization cabinet, showing our new design;
FIG. 2 is a top, front, and left perspective view thereof;
FIG. 3 is a front elevation view thereof;
FIG. 4 is a back elevation view thereof;
FIG. 5 is a left side elevation view thereof;
FIG. 6 is a right side elevation view thereof;
FIG. 7 is a top plan view thereof; and,
FIG. 8 is a bottom plan view thereof.
The broken lines illustrate portions of the sanitization cabinet that form no part of the claimed design.

1 Claim, 4 Drawing Sheets



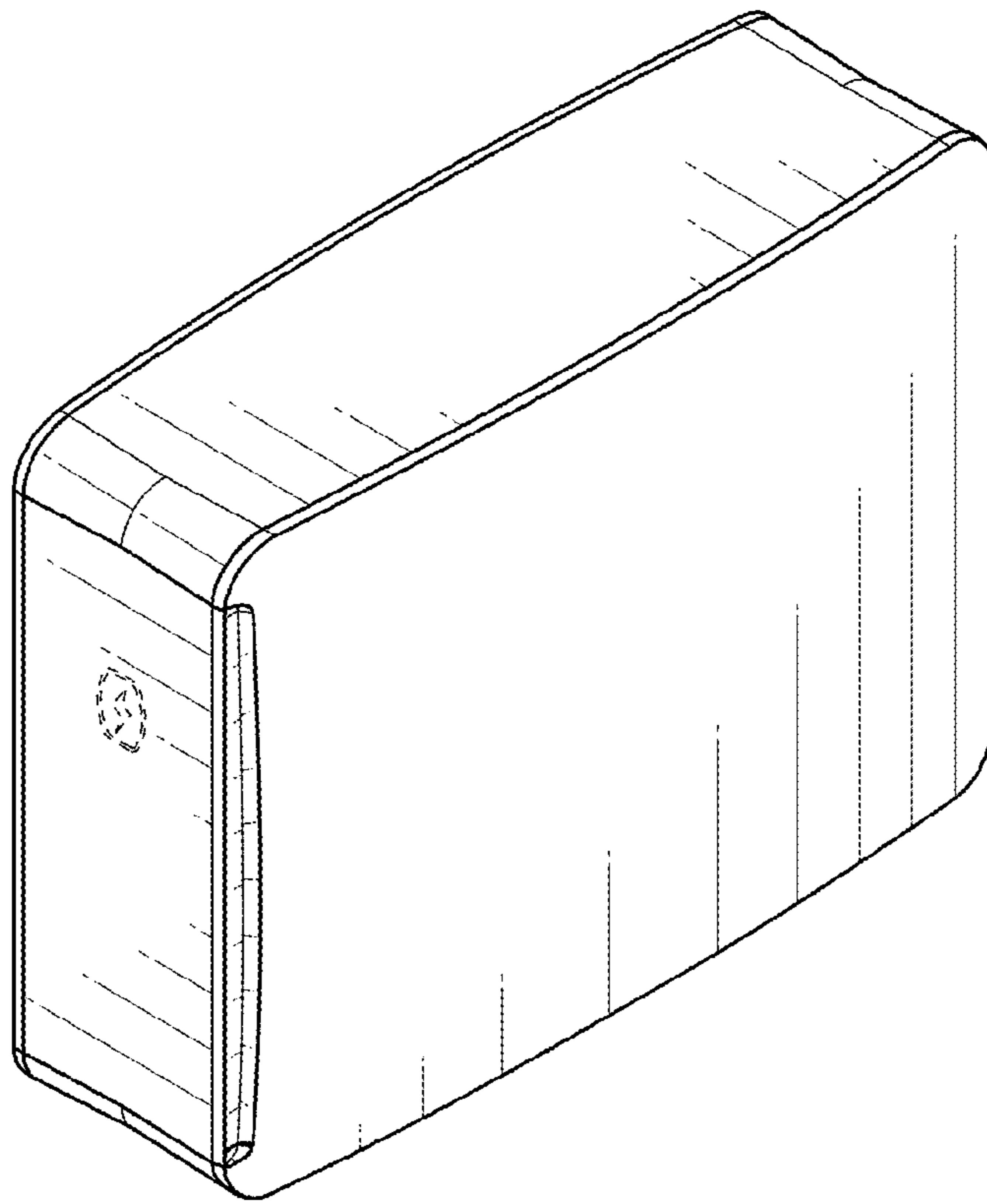


FIG. 1

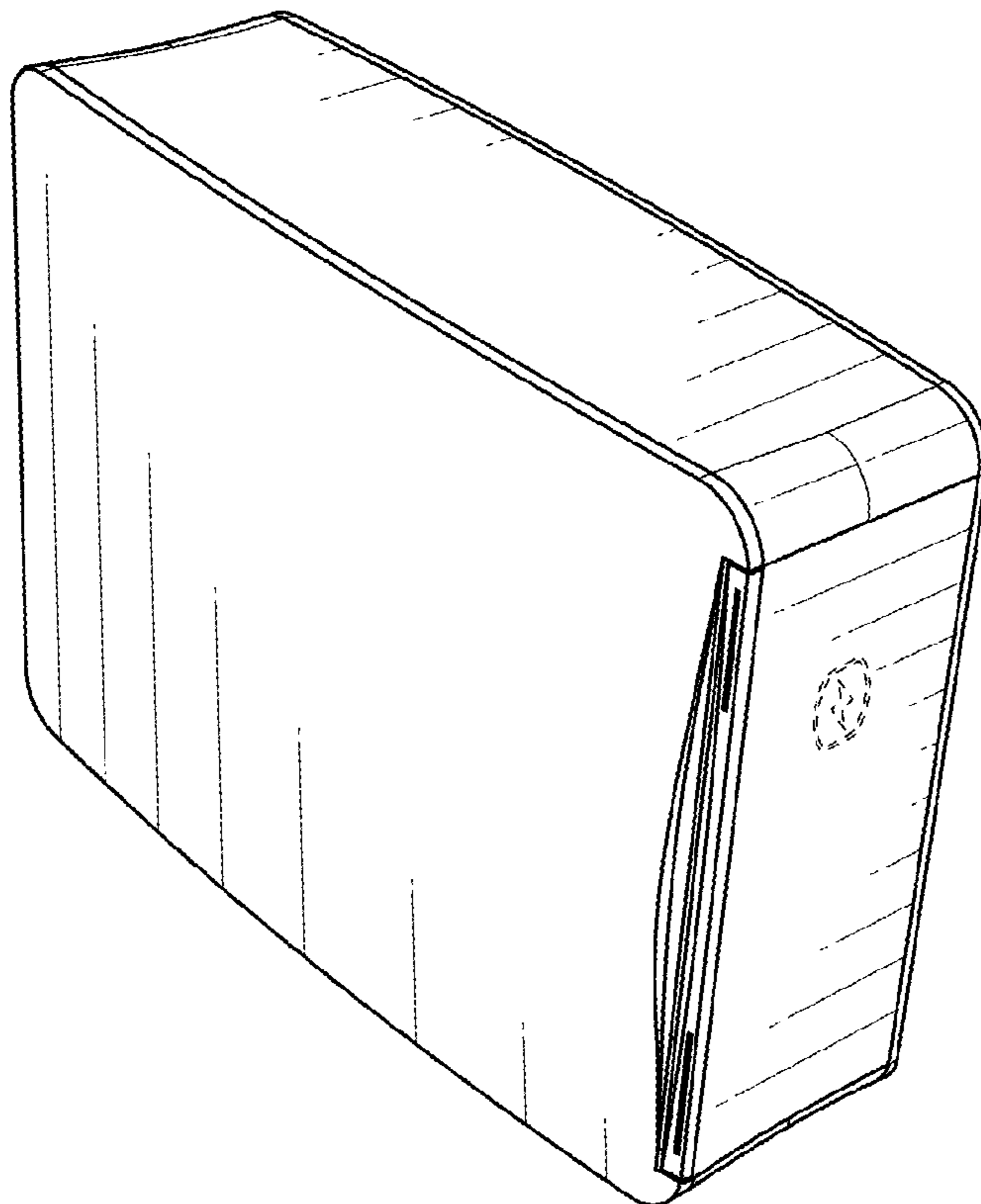


FIG. 2

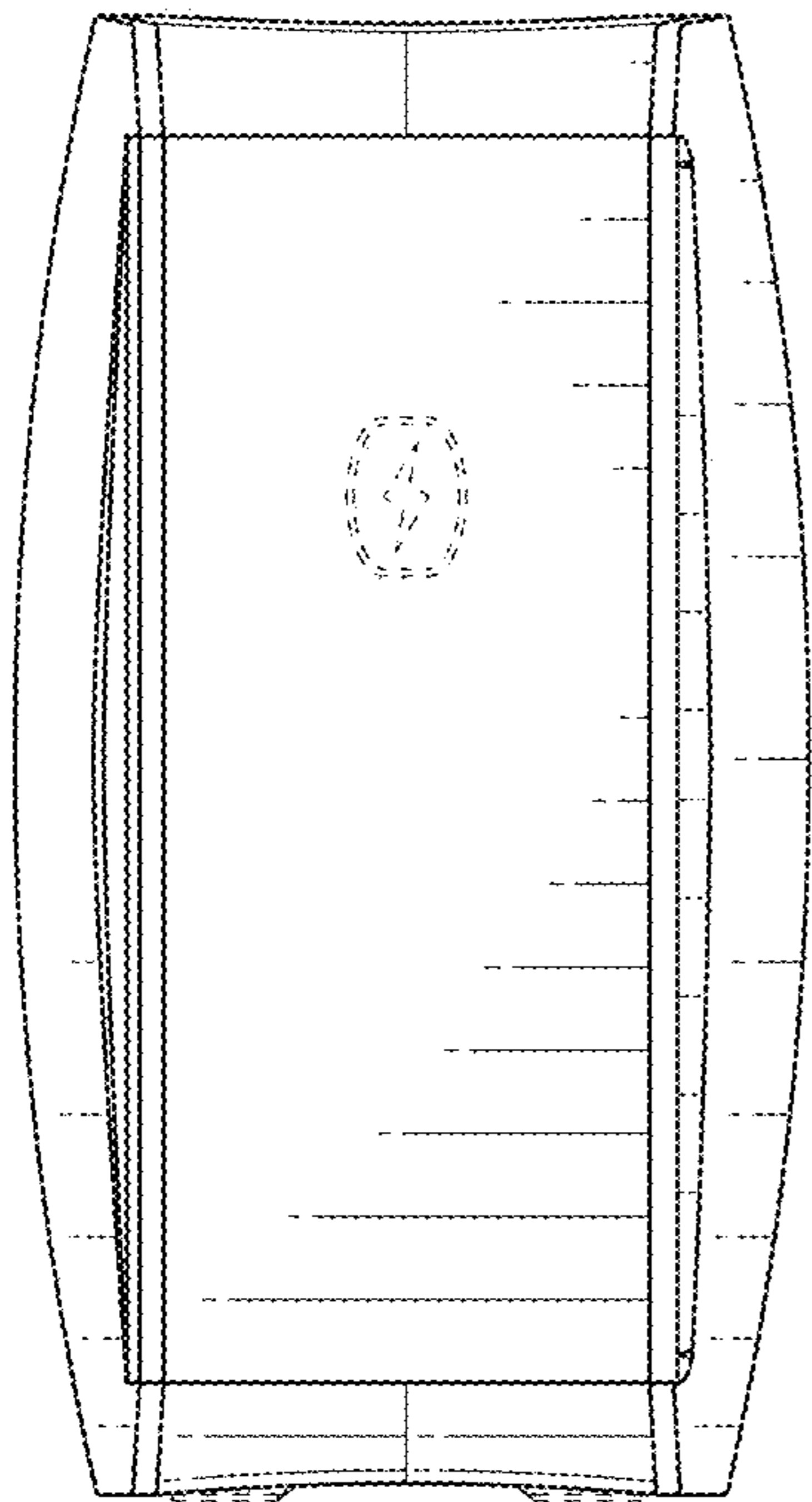


FIG. 3

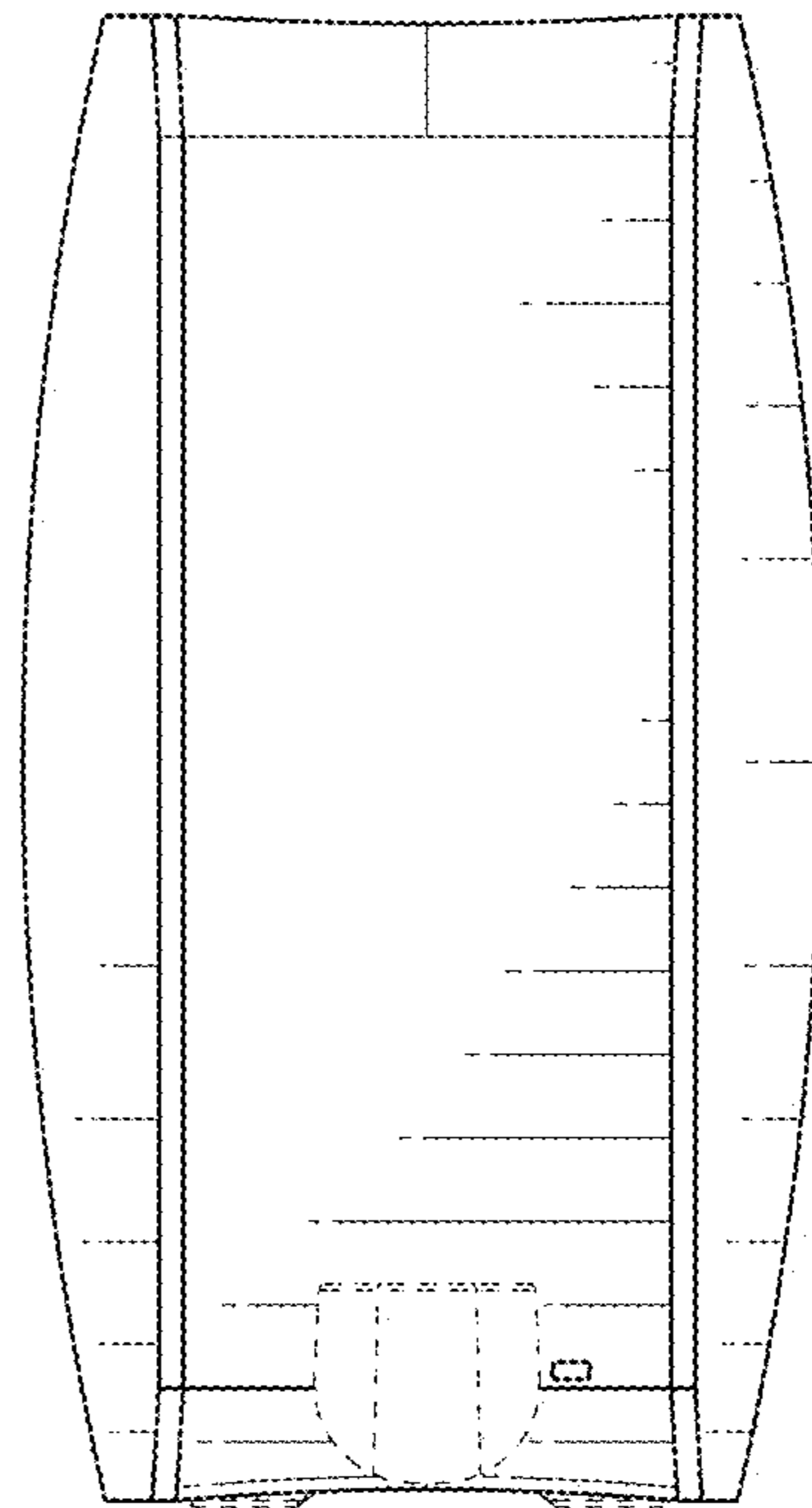


FIG. 4

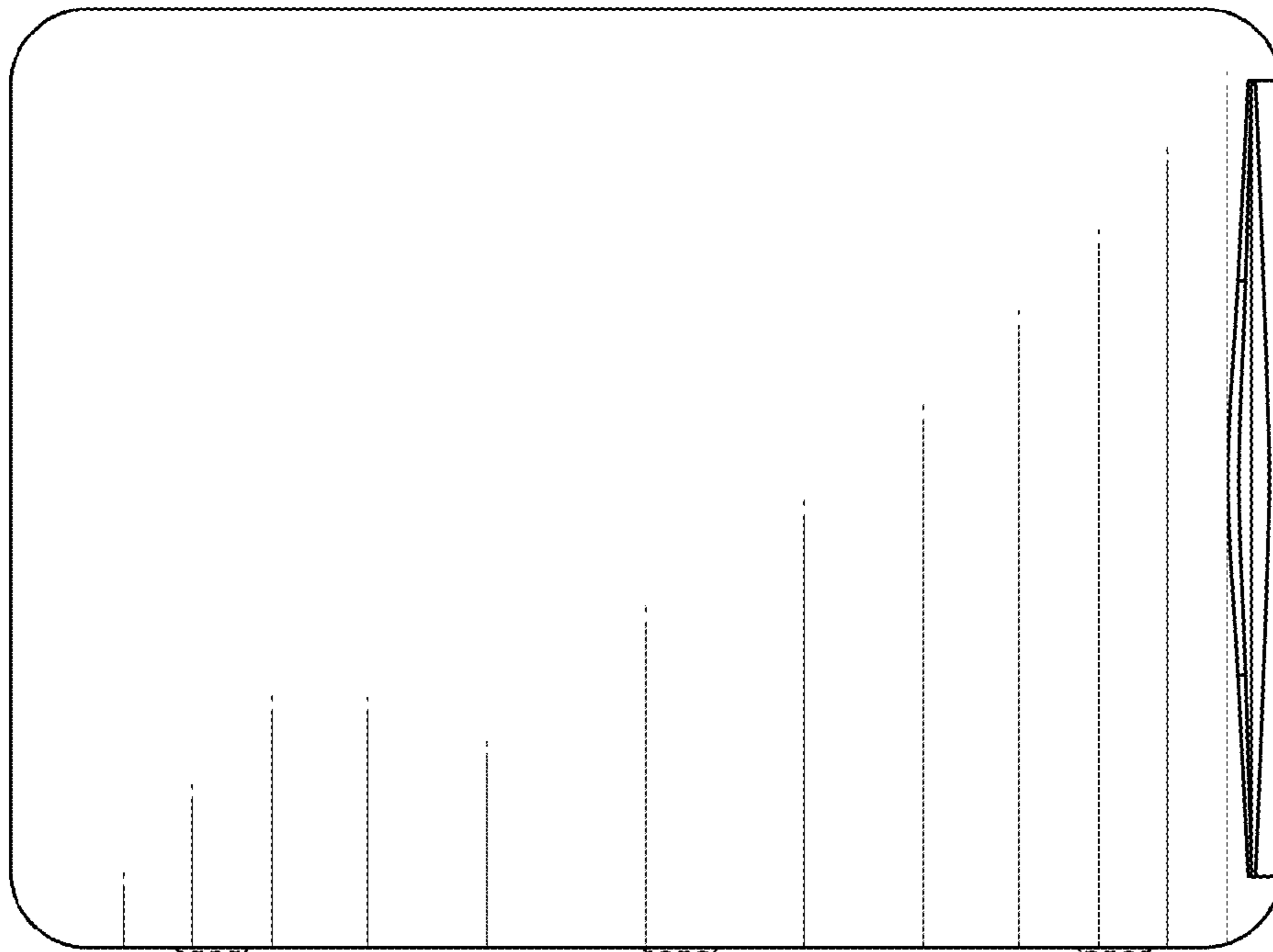


FIG. 5

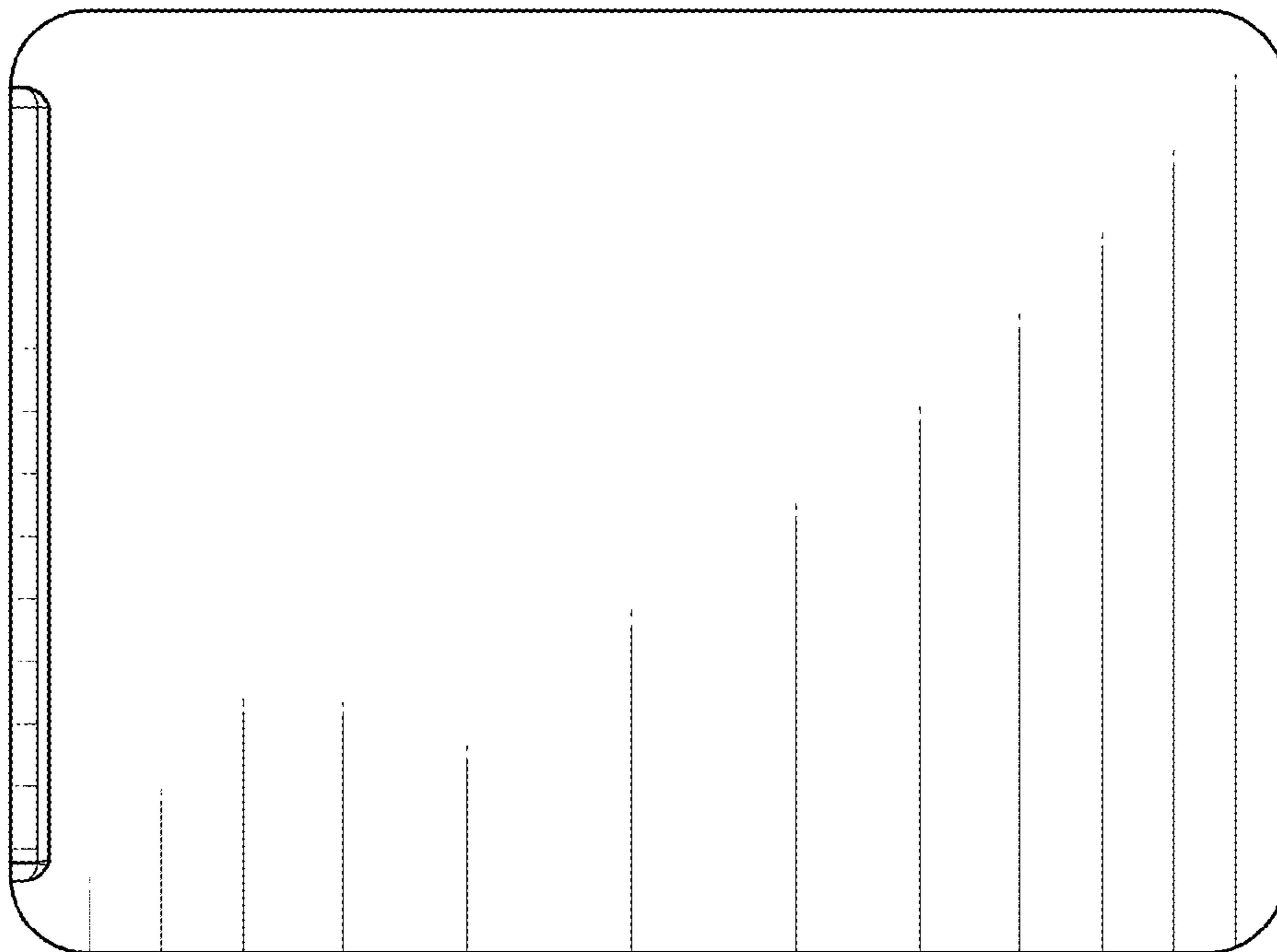


FIG. 6

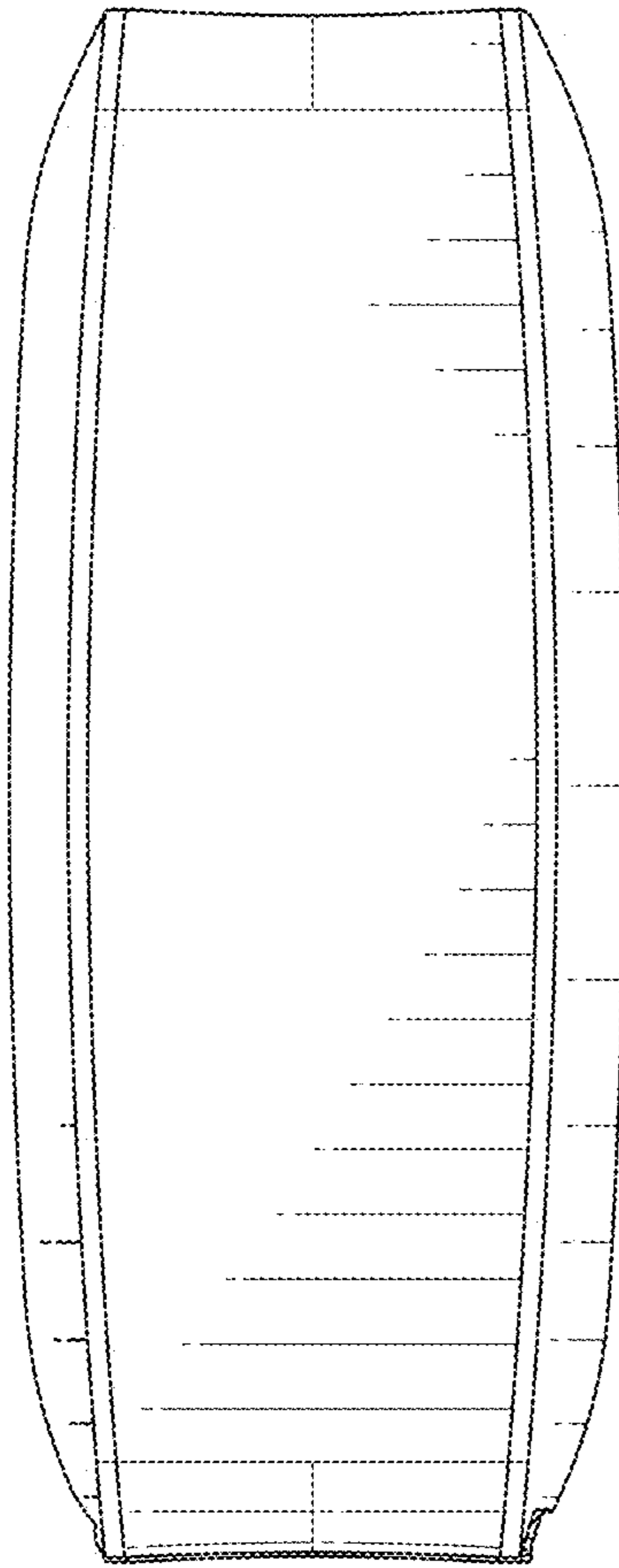


FIG. 7

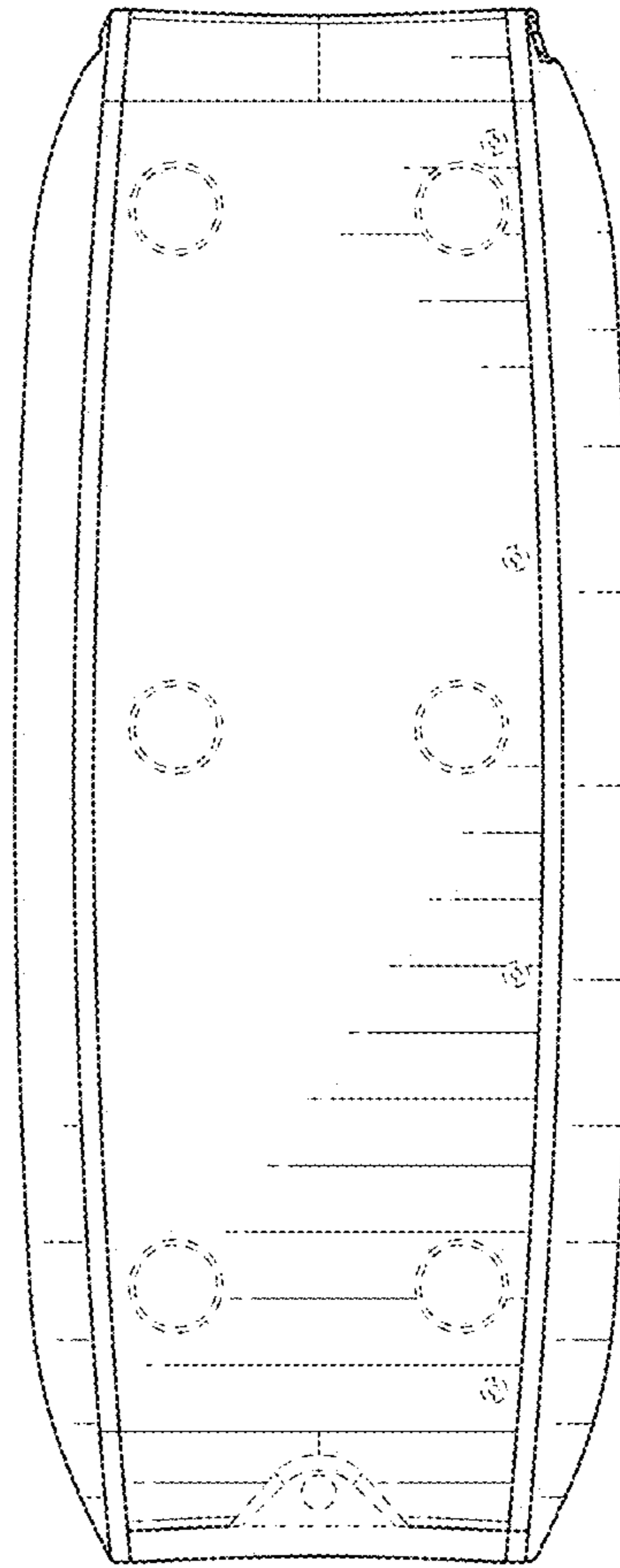


FIG. 8