



US00D979088S

(12) **United States Design Patent**  
**Fujii et al.**

(10) **Patent No.:** **US D979,088 S**  
(45) **Date of Patent:** **\*\* \*Feb. 21, 2023**

(54) **STERILIZER FOR MICROPHONE**

(71) Applicant: **Audio-Technica Corporation**, Tokyo (JP)

(72) Inventors: **Shota Fujii**, Fukui (JP); **Takurou Kurose**, Fukui (JP)

(73) Assignee: **AUDIO-TECHNICA CORPORATION**, Tokyo (JP)

(\* ) Notice: This patent is subject to a terminal disclaimer.

(\*\*) Term: **15 Years**

(21) Appl. No.: **29/793,116**

(22) Filed: **Jun. 11, 2021**

(30) **Foreign Application Priority Data**

Dec. 11, 2020 (JP) ..... 2020-026757

(51) **LOC (14) Cl.** ..... **24-01**

(52) **U.S. Cl.**  
USPC ..... **D24/217**

(58) **Field of Classification Search**

USPC ..... D24/216, 217, 218, 219, 231, 232, 234, D24/209, 210; D32/1  
CPC ..... A61L 2/26; A61L 2/24; A61L 2/07; A61L 2/08; A61L 2/18; A61L 2/25; A61L 2202/122; A61L 2202/11; A61L 2202/14; A61L 2202/23; A61L 2202/24; A61L 2202/25

See application file for complete search history.

(56) **References Cited**

**U.S. PATENT DOCUMENTS**

D396,768 S \* 8/1998 Drake ..... D24/210  
D421,308 S \* 2/2000 Johansson ..... D24/217

D950,767 S \* 5/2022 Khan ..... D24/217  
2022/0184247 A1\* 6/2022 Uesugi ..... A61L 2/24

\* cited by examiner

*Primary Examiner* — Anhdao Doan

(74) *Attorney, Agent, or Firm* — WCF IP

(57) **CLAIM**

The ornamental design for a sterilizer for microphone, as shown and described.

**DESCRIPTION**

FIG. 1 is a front, top, right side perspective view of a sterilizer for microphone;

FIG. 2 is a rear, bottom, left side perspective view of the sterilizer for microphone;

FIG. 3 is a front elevational view of the sterilizer for microphone;

FIG. 4 is a rear elevational view of the sterilizer for microphone;

FIG. 5 is a top plan view of the sterilizer for microphone;

FIG. 6 is a bottom plan view of the sterilizer for microphone;

FIG. 7 is a right side elevational view of the sterilizer for microphone;

FIG. 8 is a left side elevational view of the sterilizer for microphone;

FIG. 9 is an enlarged sectional view of the sterilizer for microphone taken along line 9-9 of FIG. 3;

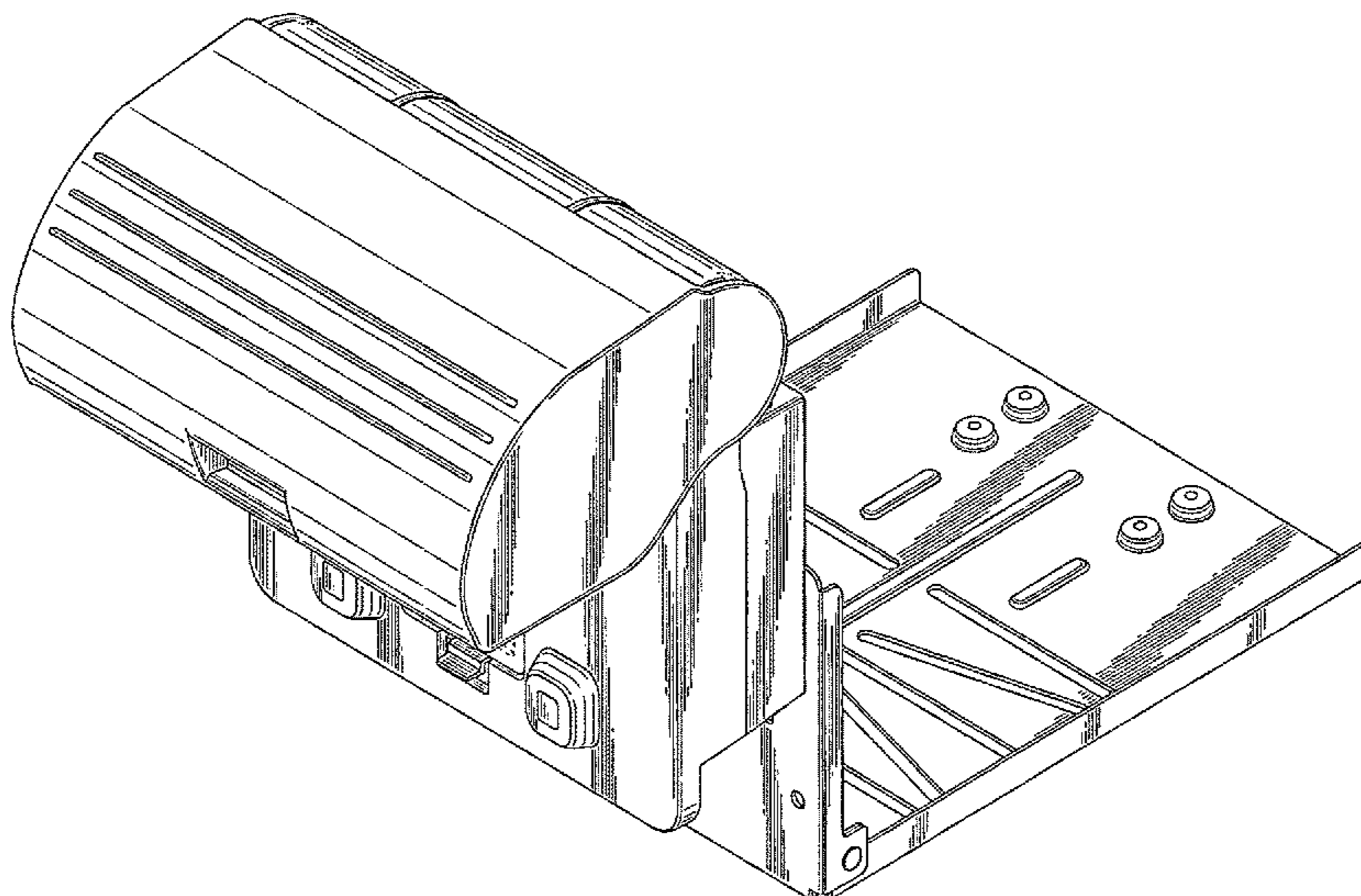
FIG. 10 is a reference view of the sterilizer for microphone showing a state in which direction of the bracket is changed;

FIG. 11 is a reference view of the sterilizer for microphone showing a state of use; and,

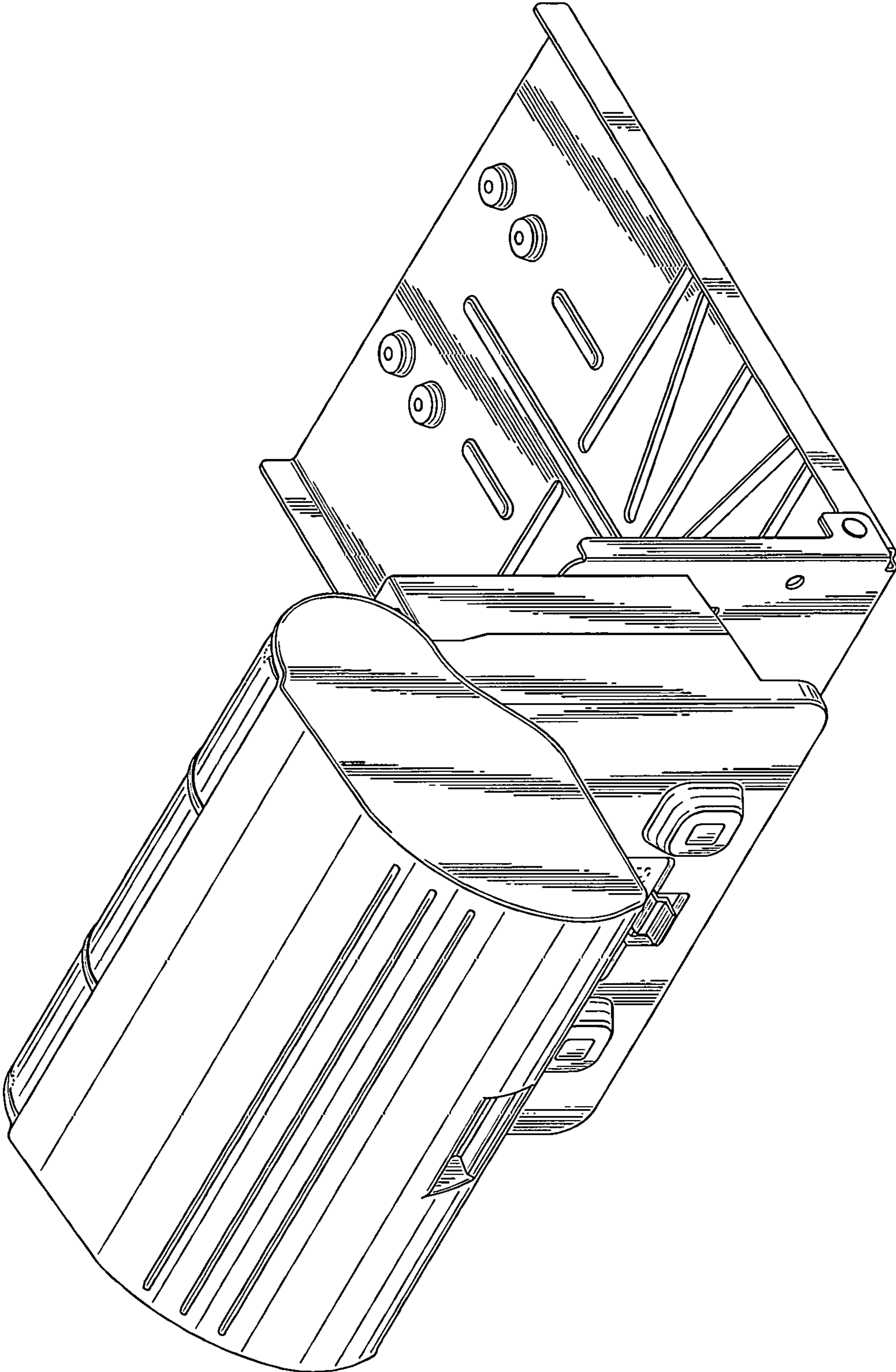
FIG. 12 is a reference right side elevational view of the sterilizer for microphone showing a state in which the shade and the bracket are detached.

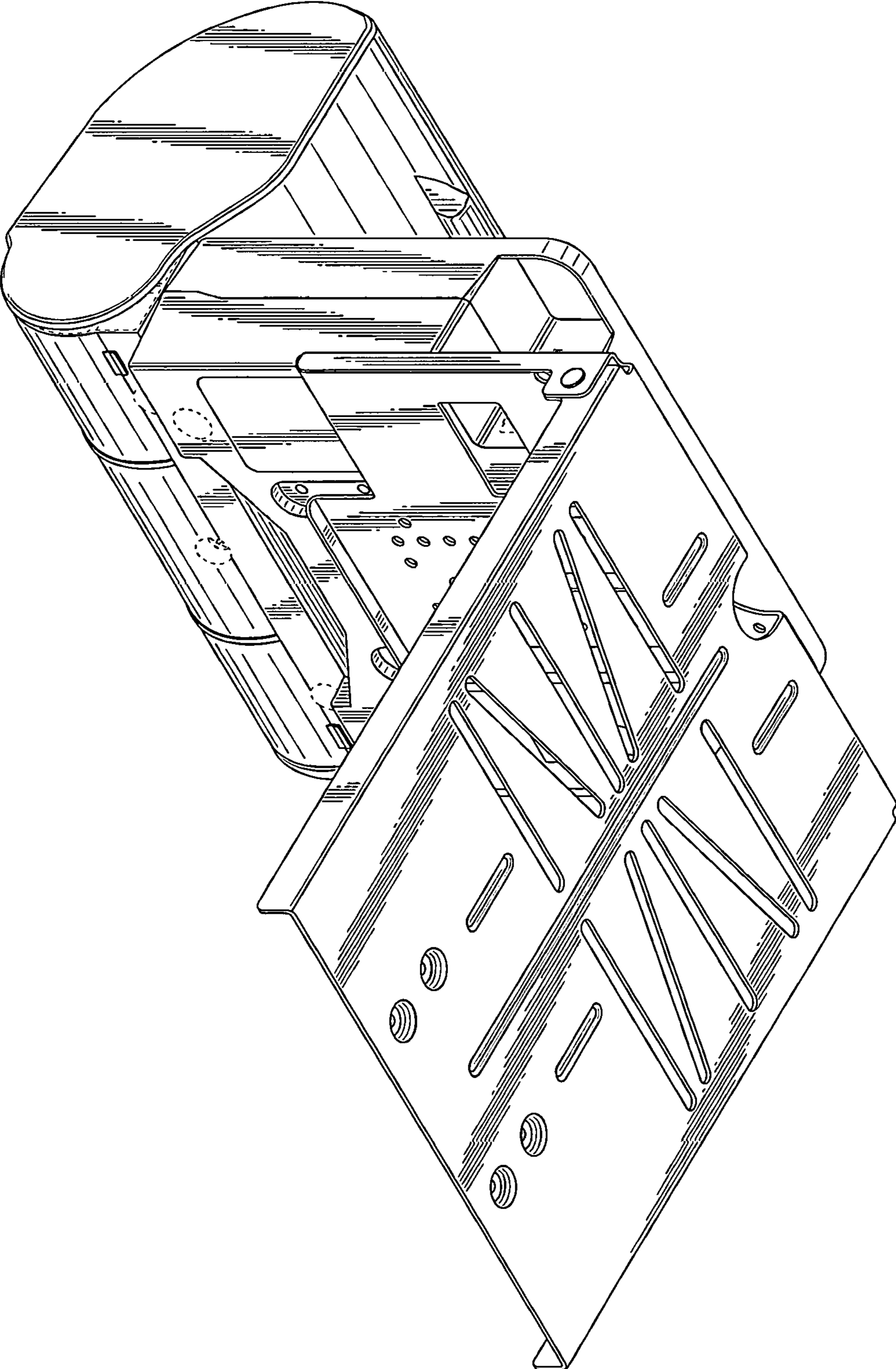
The dot-dot dash lines depicting the bracket and microphones in FIG. 11 represent environmental subject matter and form no part of the claimed design; and the evenly broken lines in the drawings illustrate portions of the sterilizer for microphone that form no part of the claimed design.

**1 Claim, 12 Drawing Sheets**



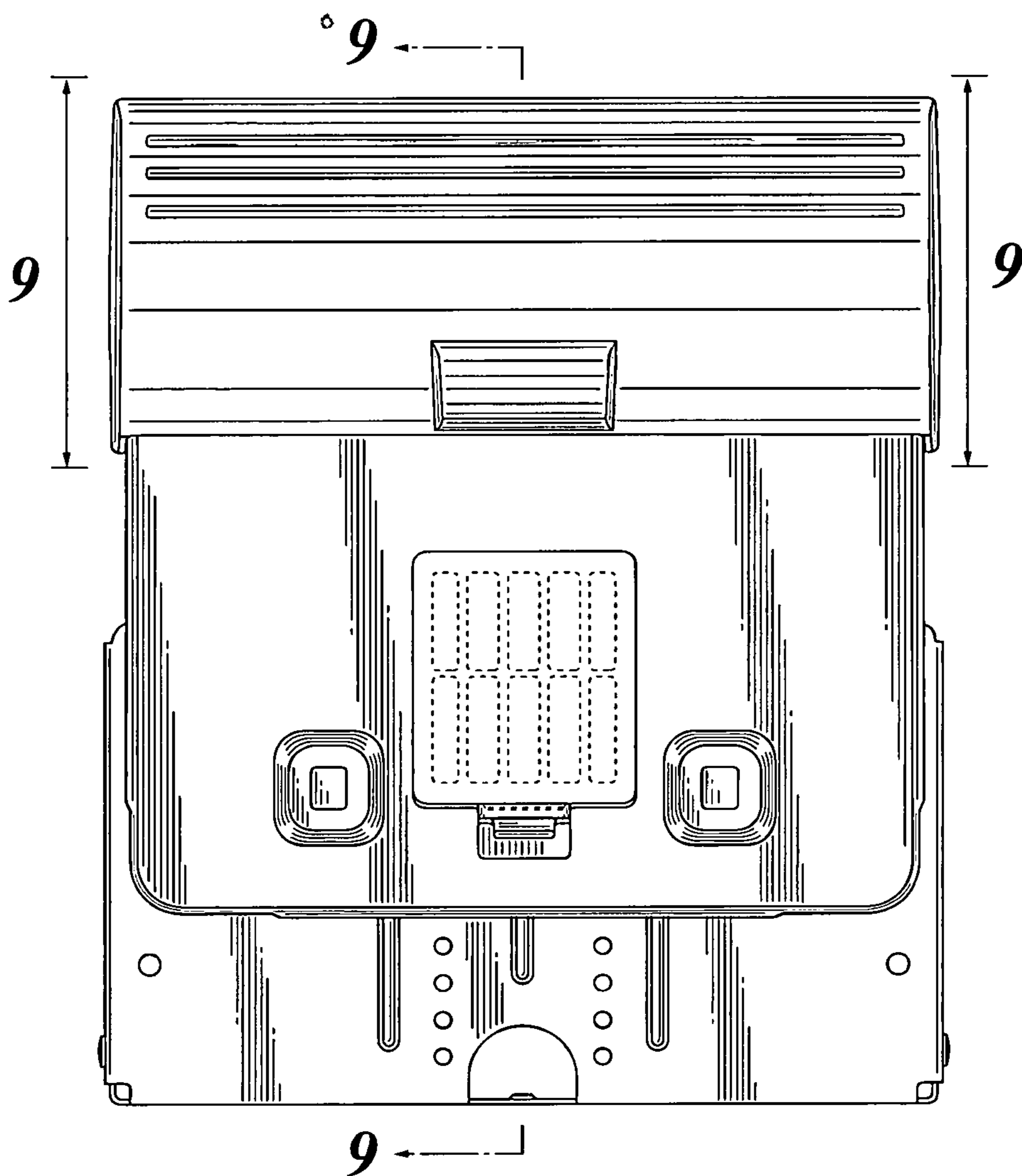
**FIG. 1**



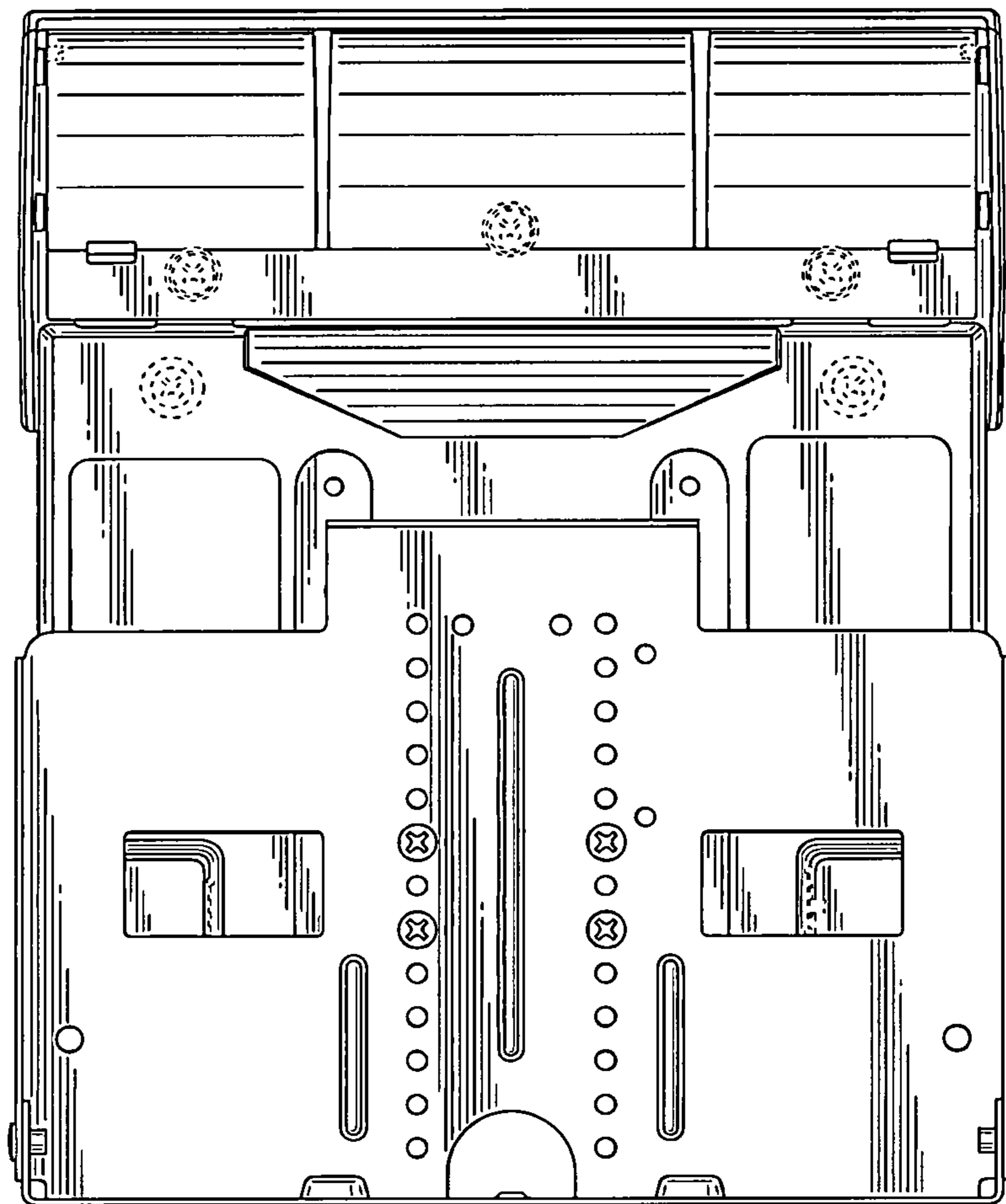


**FIG. 2**

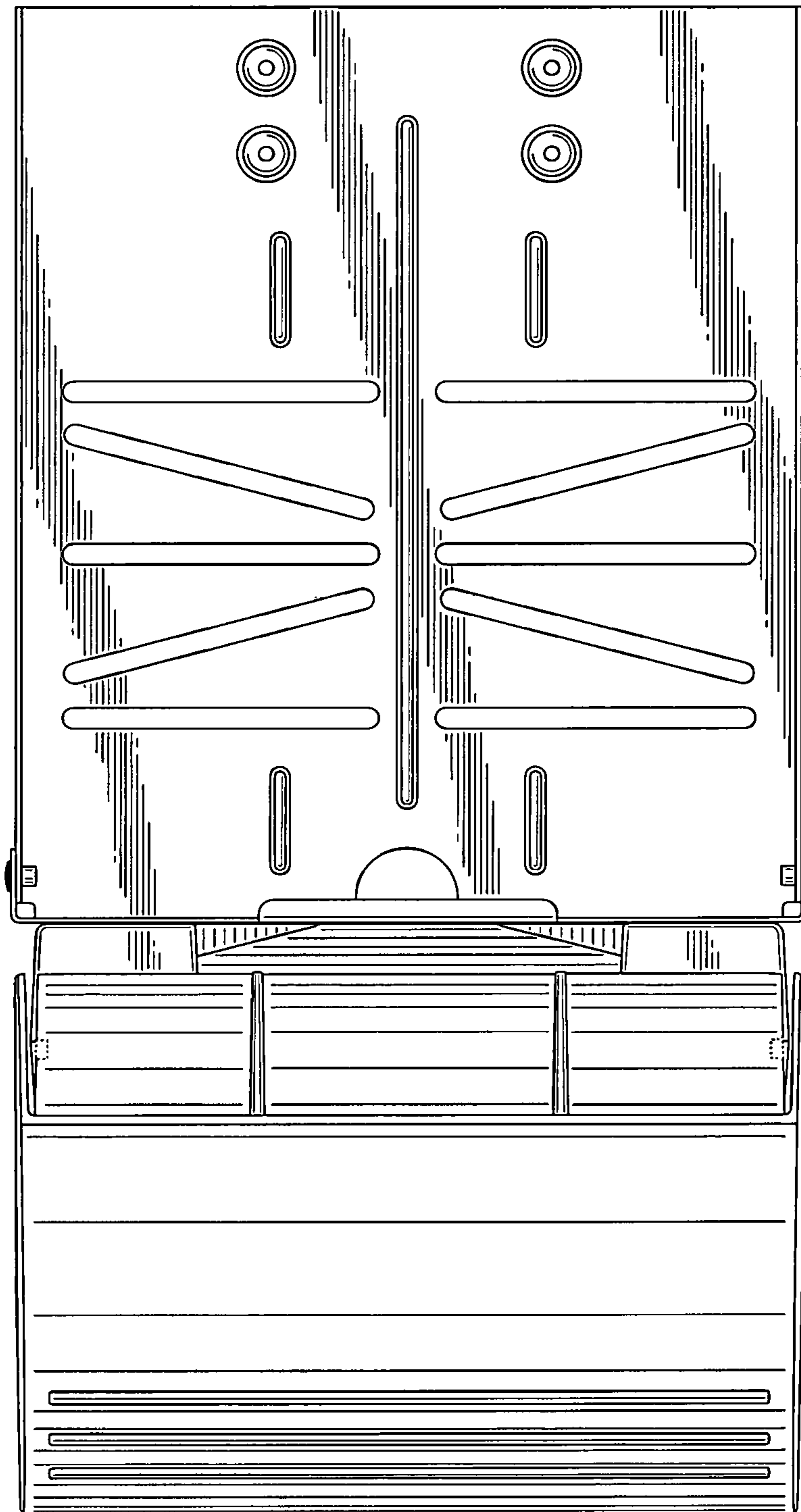
*FIG. 3*



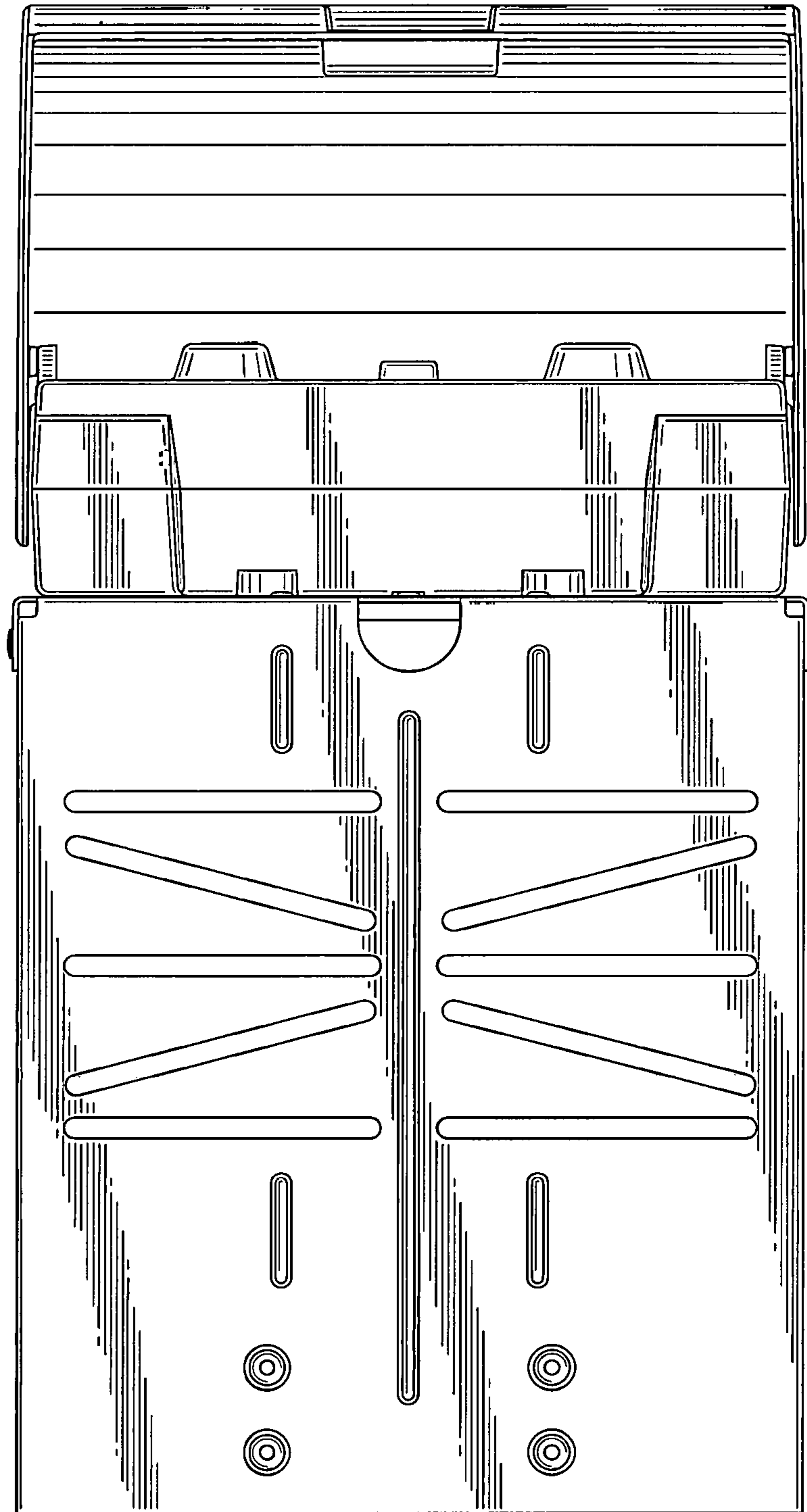
*FIG. 4*



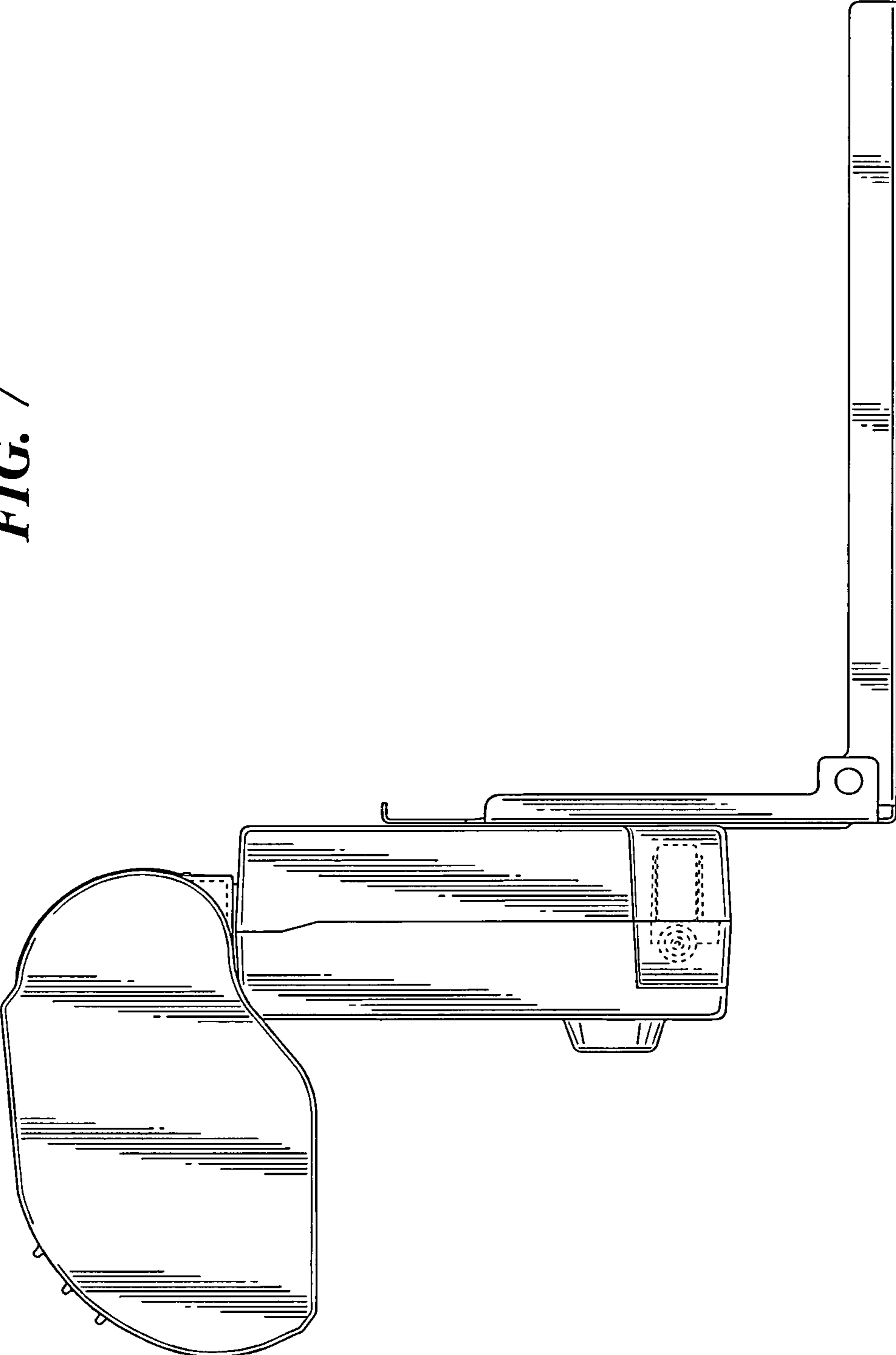
**FIG. 5**



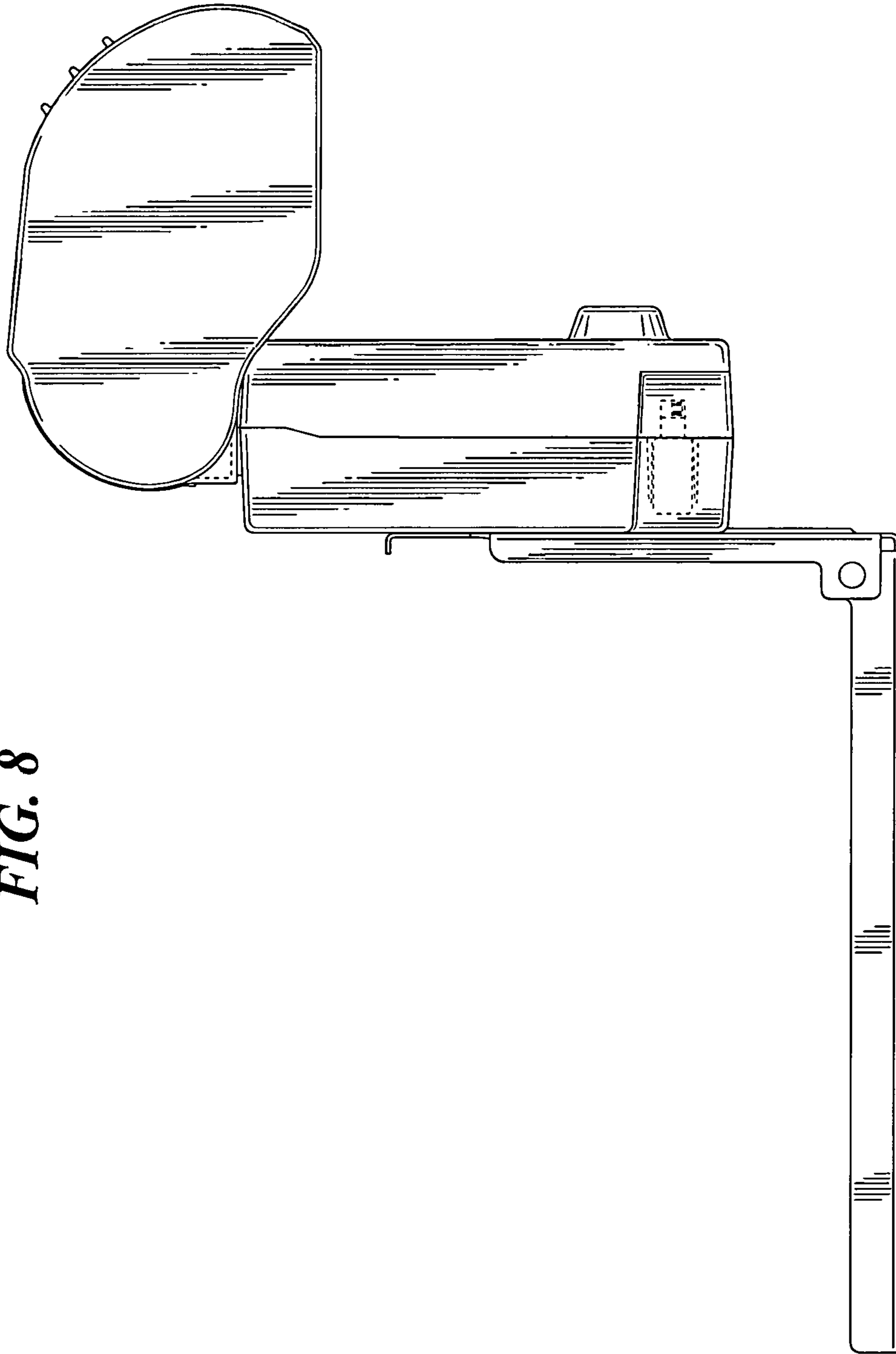
**FIG. 6**



**FIG. 7**

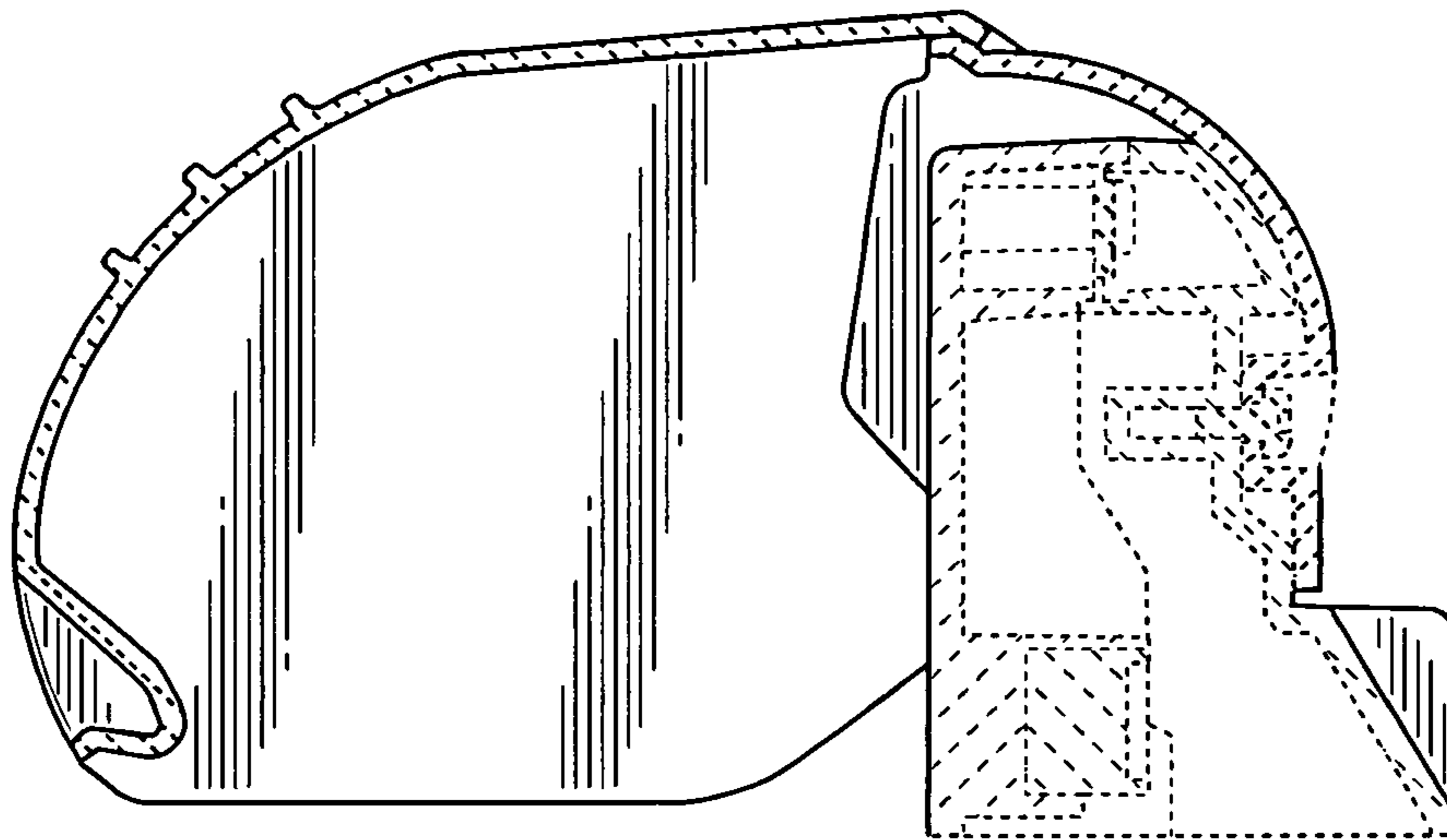




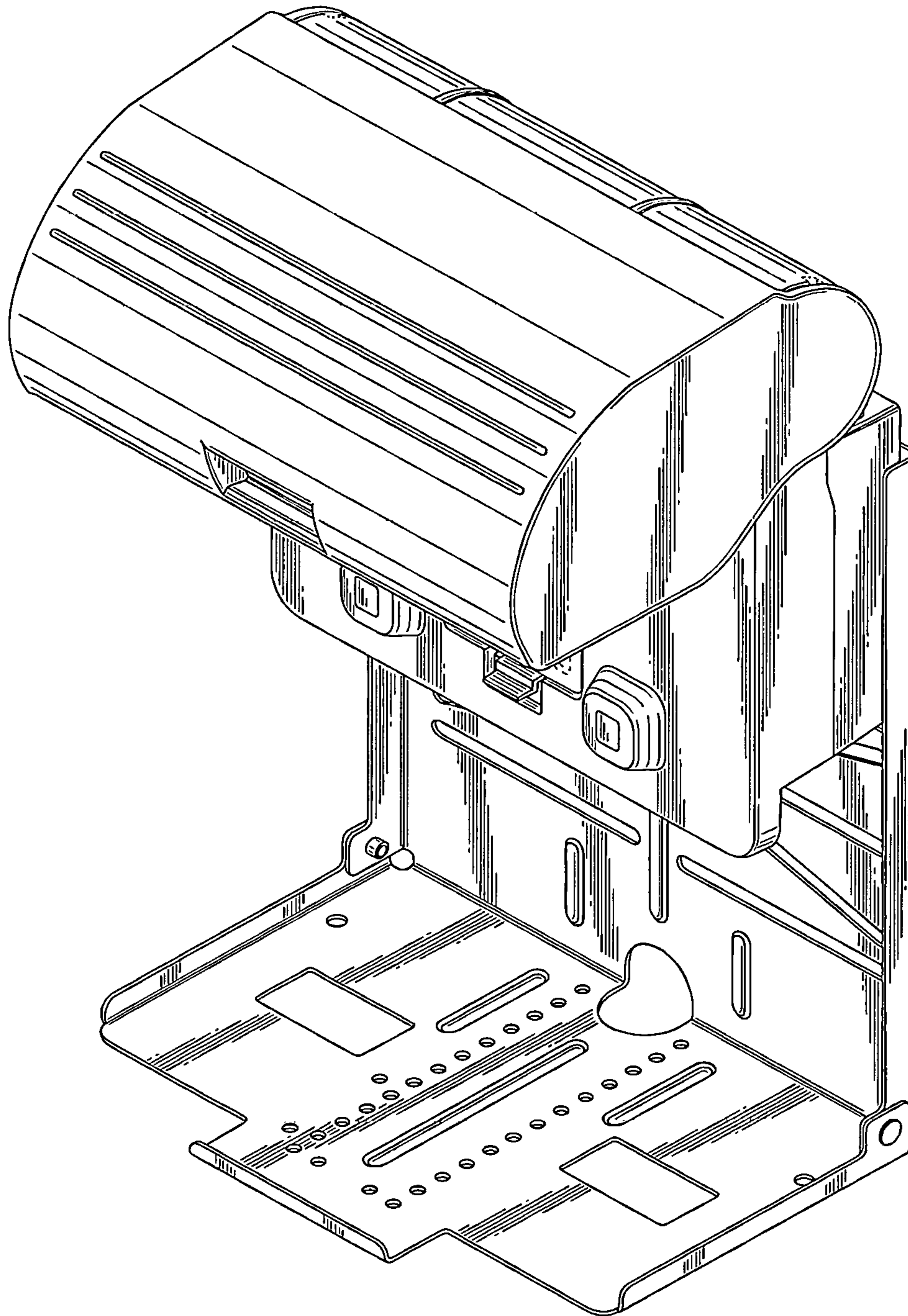


**FIG. 8**

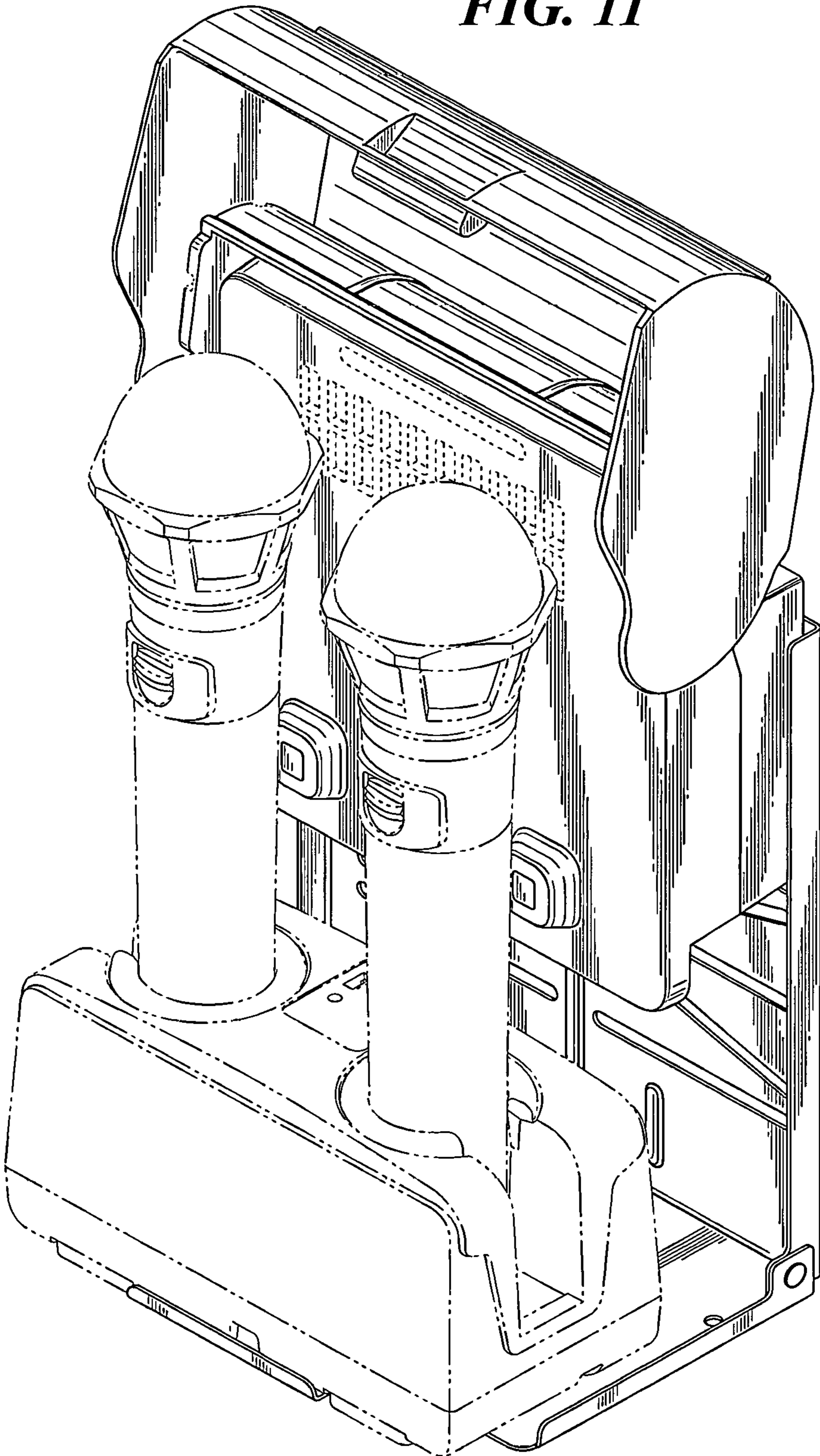
**FIG. 9**



**FIG. 10**



**FIG. 11**



*FIG. 12*

