



US00D979082S

(12) **United States Design Patent**
Rondinone

(10) **Patent No.:** **US D979,082 S**

(45) **Date of Patent:** **** Feb. 21, 2023**

(54) **DOUBLE-SIDED STRETCH ICE HEADBAND**

(71) Applicant: **Renee Caitlin Rondinone**, Block Island, RI (US)

(72) Inventor: **Renee Caitlin Rondinone**, Block Island, RI (US)

(73) Assignee: **Renee Rondinone**, Block Island, RI (US)

(**) Term: **15 Years**

(21) Appl. No.: **29/737,907**

(22) Filed: **Jun. 12, 2020**

(51) **LOC (14) Cl.** **07-99**

(52) **U.S. Cl.**
USPC **D24/207**

(58) **Field of Classification Search**
USPC D24/206–208, 200, 189–191; D2/865, D2/891, 894; D28/41
CPC .. A61F 7/00; A61F 7/106; A61F 7/034; A61F 7/02; A61F 7/10; A61F 2007/0001; A61F 2007/0007; A61F 13/12
See application file for complete search history.

(56) **References Cited**

U.S. PATENT DOCUMENTS

4,204,543 A * 5/1980 Henderson A61F 7/10
2/171.2
4,742,581 A * 5/1988 Rosenthal A61F 7/10
2/200.1

D328,792 S * 8/1992 Salmon D24/207
D876,656 S * 2/2020 Campbell D24/207
D886,313 S * 6/2020 Payne D24/207
D888,978 S * 6/2020 Daniels D24/206
2014/0216061 A1* 8/2014 Paul A61F 7/106
62/4
2017/0087008 A1* 3/2017 Alston A61F 7/10

* cited by examiner

Primary Examiner — Wan Laymon

(57) **CLAIM**

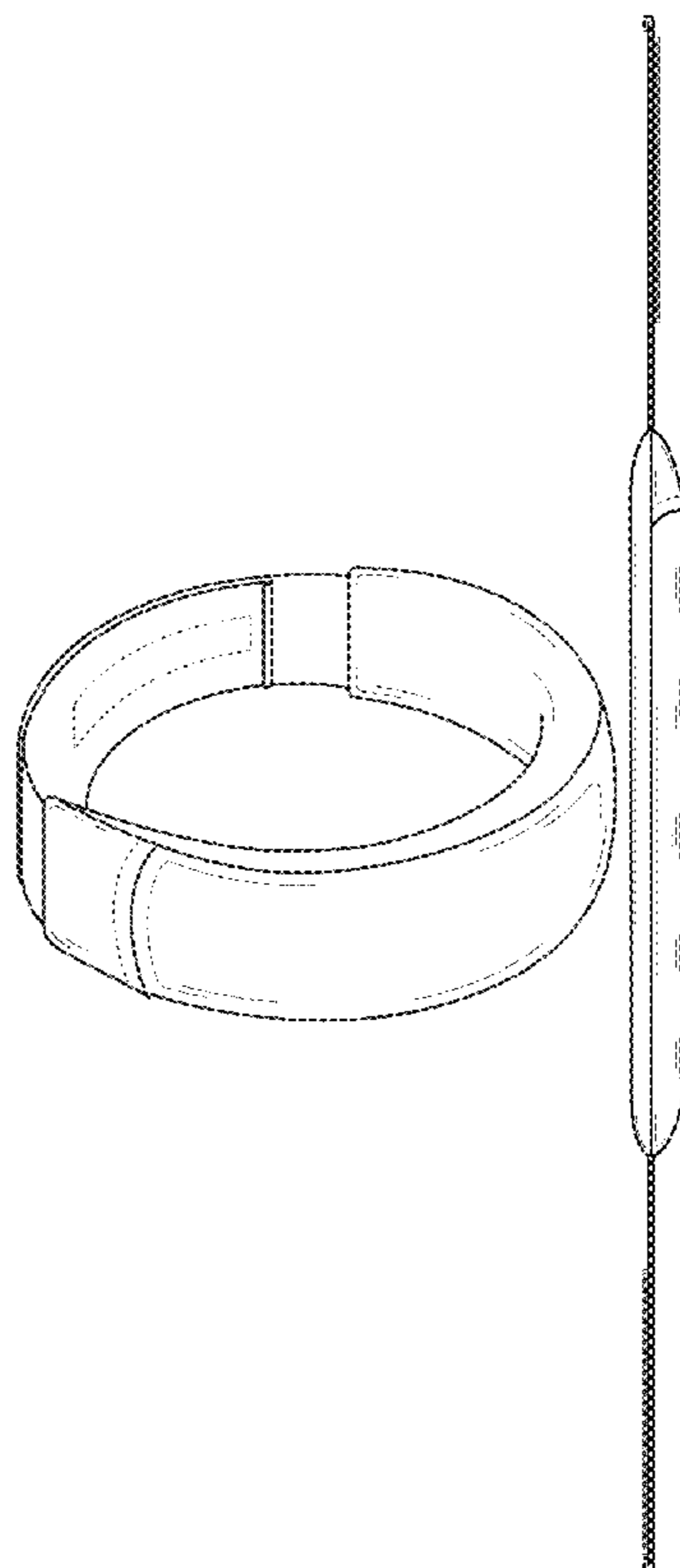
The ornamental design for a double-sided stretch ice headband, as shown and described.

DESCRIPTION

FIG. 1 is a front perspective view in use position of the double-sided stretch ice headband;
FIG. 2 is a front view thereof;
FIG. 3 is a rear view thereof;
FIG. 4 is a left side view thereof;
FIG. 5 is a right side view thereof;
FIG. 6 is an end view thereof; and,
FIG. 7 is an end view thereof.

The dashed broken lines shown in the drawings represent top-stitching. All other broken lines shown represent portions of the double-sided stretch ice headband that form no part of the claimed design.

1 Claim, 7 Drawing Sheets



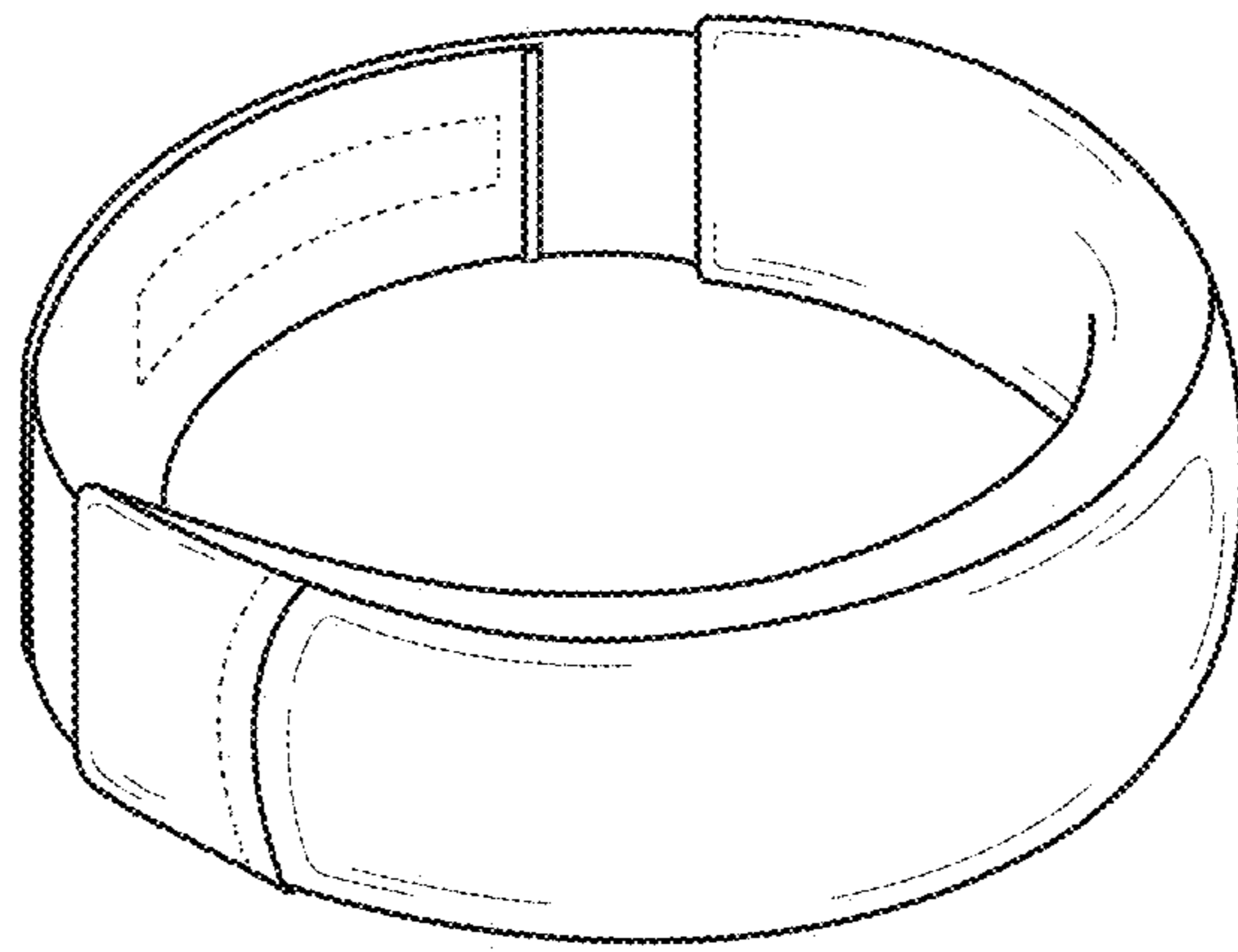


Fig. 1

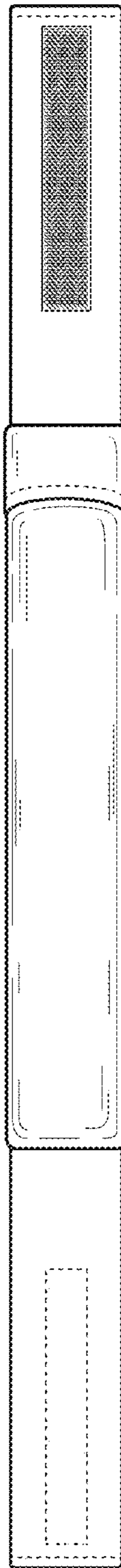


Fig. 2

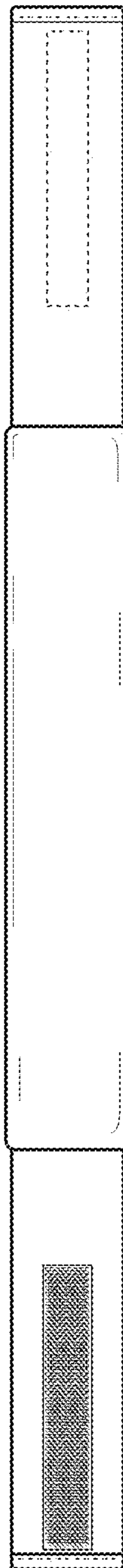


Fig. 3



Fig. 4

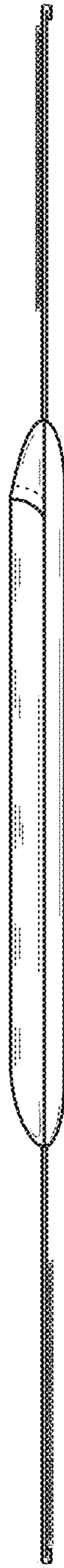


Fig. 5



Fig. 6



Fig. 7