



US00D979080S

(12) **United States Design Patent** (10) **Patent No.:** **US D979,080 S**
Jalinous (45) **Date of Patent:** **** Feb. 21, 2023**

(54) **MRI TOWER COIL STAND**
 (71) Applicant: **Reza Jalinous**, Winchester, MA (US)
 (72) Inventor: **Reza Jalinous**, Winchester, MA (US)
 (**) Term: **15 Years**
 (21) Appl. No.: **29/696,437**
 (22) Filed: **Jun. 27, 2019**
 (51) **LOC (14) Cl.** **24-01**
 (52) **U.S. Cl.**
 USPC **D24/200; D24/184**
 (58) **Field of Classification Search**
 USPC D24/158-159, 184-186, 200
 CPC A61B 5/055; A61B 6/03; G01R 33/34007;
 G01R 33/341; G01R 33/34084; G01R
 33/34; G01R 33/64; G01R 33/3657;
 G01R 33/365
 See application file for complete search history.

(56) **References Cited**

U.S. PATENT DOCUMENTS

| | | | |
|----------------|---------|--------------------|--------------------------|
| D112,023 S | 11/1938 | Martinsson | |
| 4,634,980 A * | 1/1987 | Misic | G01R 33/34007 324/318 |
| D318,330 S | 7/1991 | Doty | |
| D357,069 S | 4/1995 | Plahn | |
| D407,820 S * | 4/1999 | Sullenberger | D24/184 |
| D571,920 S | 6/2008 | Juliana | |
| D607,712 S | 1/2010 | Kelleghan | |
| D667,118 S * | 9/2012 | Wodecki | D24/159 |
| D689,612 S * | 9/2013 | Braswell, Jr. | D24/158 |
| D699,359 S | 2/2014 | Lindekugel | |
| D742,535 S | 11/2015 | Wu | |
| 9,456,764 B2 * | 10/2016 | Burke | A61B 5/055 |
| D770,635 S | 11/2016 | Cole | |
| D770,992 S | 11/2016 | Tauchi | |
| D776,822 S | 1/2017 | McKinley | |

| | | | |
|-------------------|---------|-------------------|-------------|
| D788,310 S * | 5/2017 | Takeuchi | D24/158 |
| D804,031 S * | 11/2017 | Hsu | D24/158 |
| 10,542,890 B2 * | 1/2020 | Yang | A61B 5/055 |
| D880,700 S * | 4/2020 | Sun | D24/158 |
| D890,927 S * | 7/2020 | Chong | D24/158 |
| 2018/0263547 A1 * | 9/2018 | Settles | A61B 5/055 |
| 2020/0081081 A1 * | 3/2020 | Yang | A61B 5/055 |
| 2021/0072330 A1 * | 3/2021 | Berendt, Jr. | G01R 33/341 |
| 2021/0077828 A1 * | 3/2021 | Wang | A61N 5/1077 |

OTHER PUBLICATIONS

MRI Tower Cil Stand. Jaltron-llc-coils. Retrieved on Apr. 6, 2021. Retrieved from the Internet: <https://www.jaltron-coils.com/mri-tower-coil-stand>.*

* cited by examiner

Primary Examiner — Wan Laymon
(74) *Attorney, Agent, or Firm* — David J. Connaughton, Jr.; Justin Tringer; Lambert Shortell & Connaughton

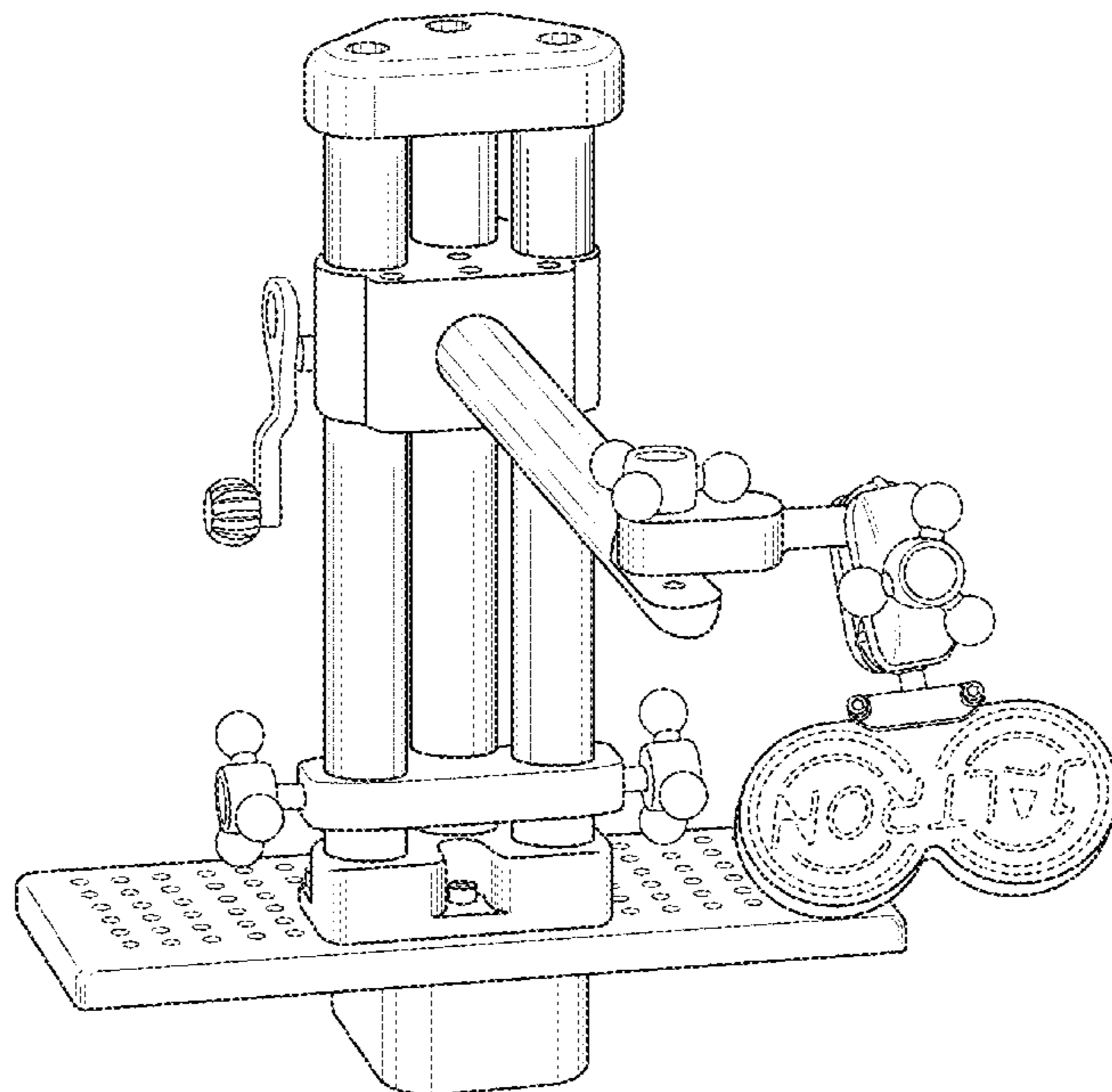
(57) **CLAIM**

The ornamental design for a MRI tower coil stand, as shown and described.

DESCRIPTION

FIG. 1 is an isometric view of the front of the MRI tower coil stand, which embodies my design;
FIG. 2 is a side view thereof;
FIG. 3 is a side view thereof;
FIG. 4 is a side view thereof;
FIG. 5 is a side view thereof;
FIG. 6 is a top plan view thereof; and,
FIG. 7 is a bottom plan view thereof.
The broken line in the drawings is included for the purpose of illustrating portions of the MRI tower coil stands and forms no part of the claimed design.

1 Claim, 7 Drawing Sheets



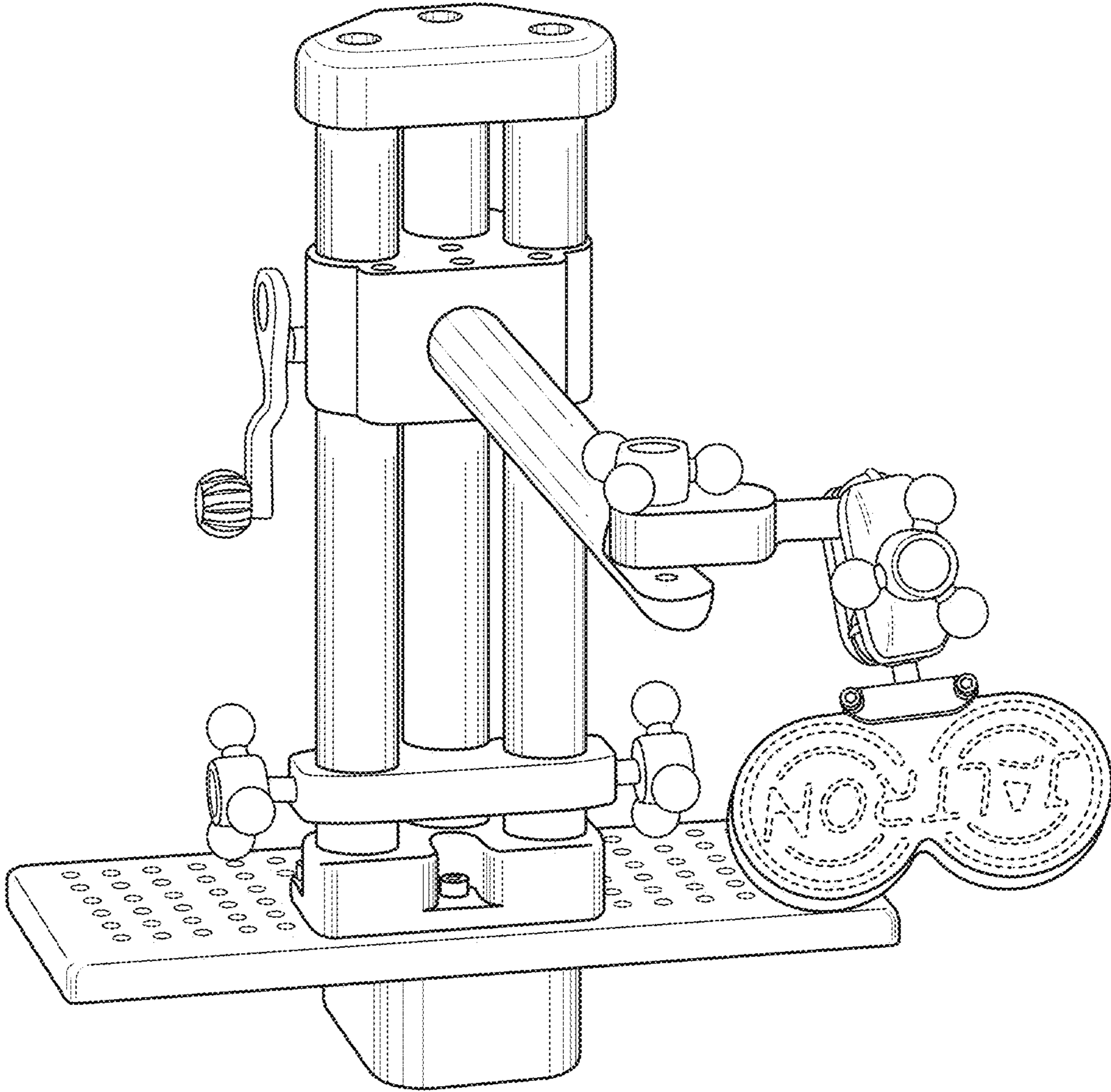


Fig. 1

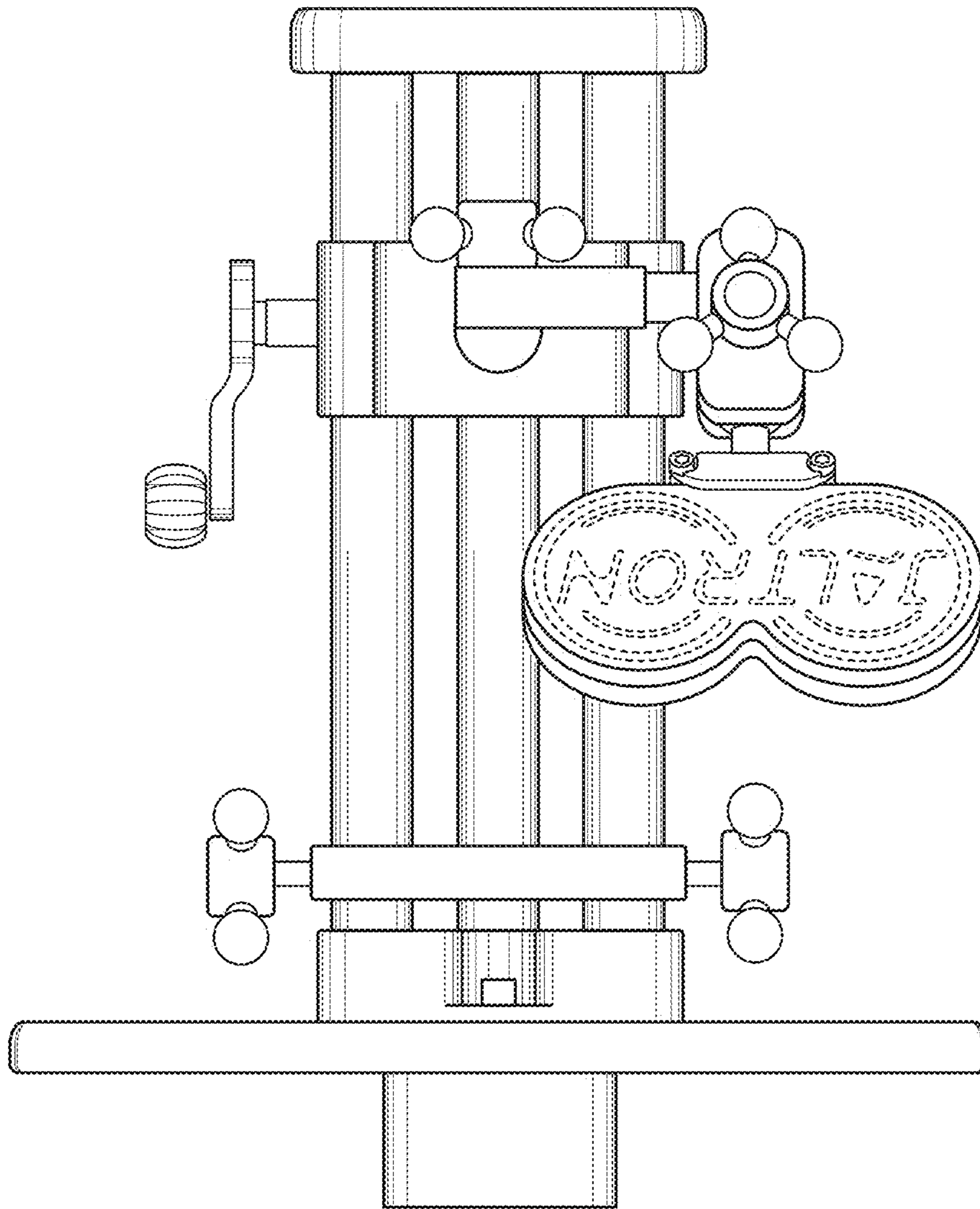


Fig. 2

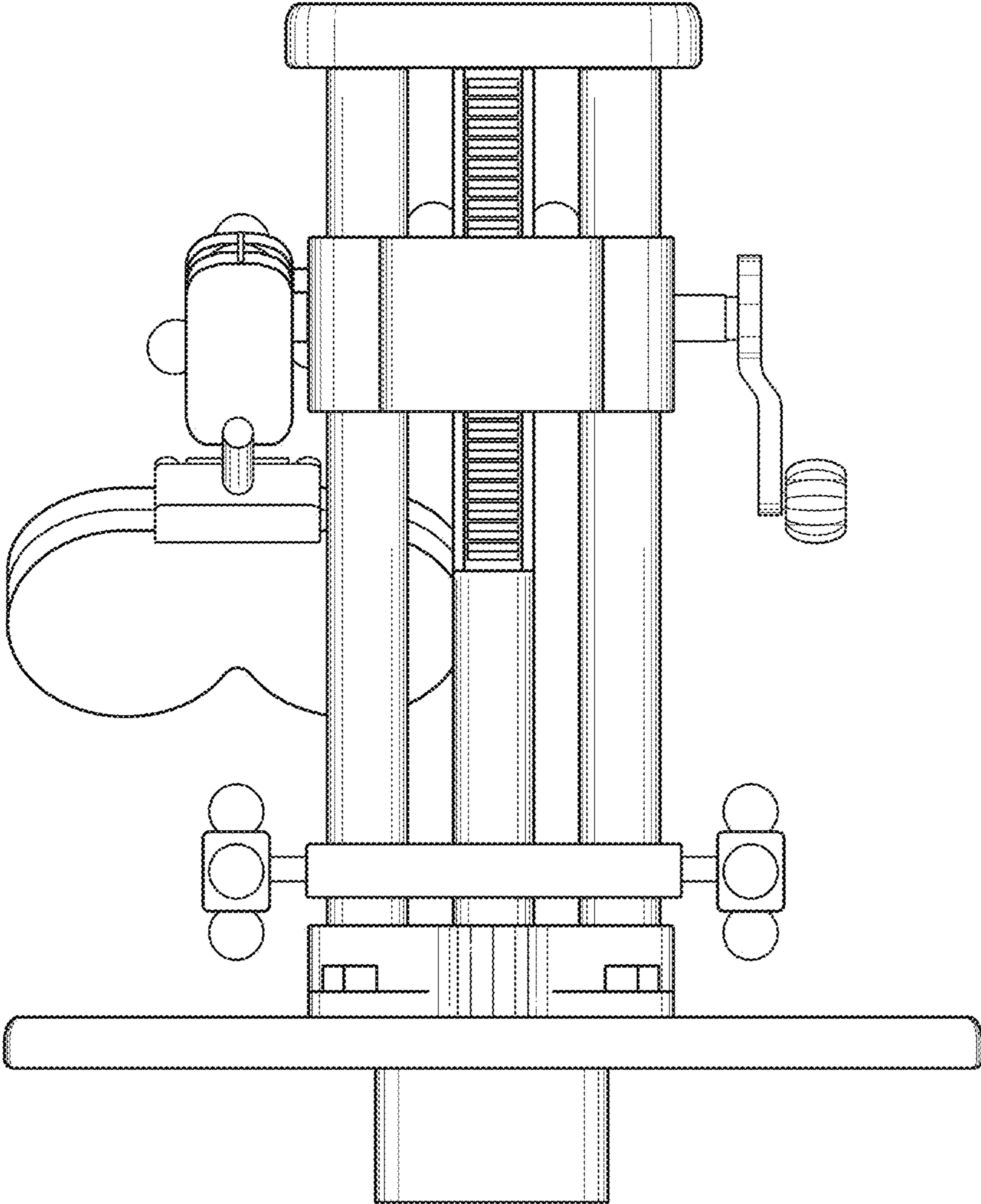


Fig. 3

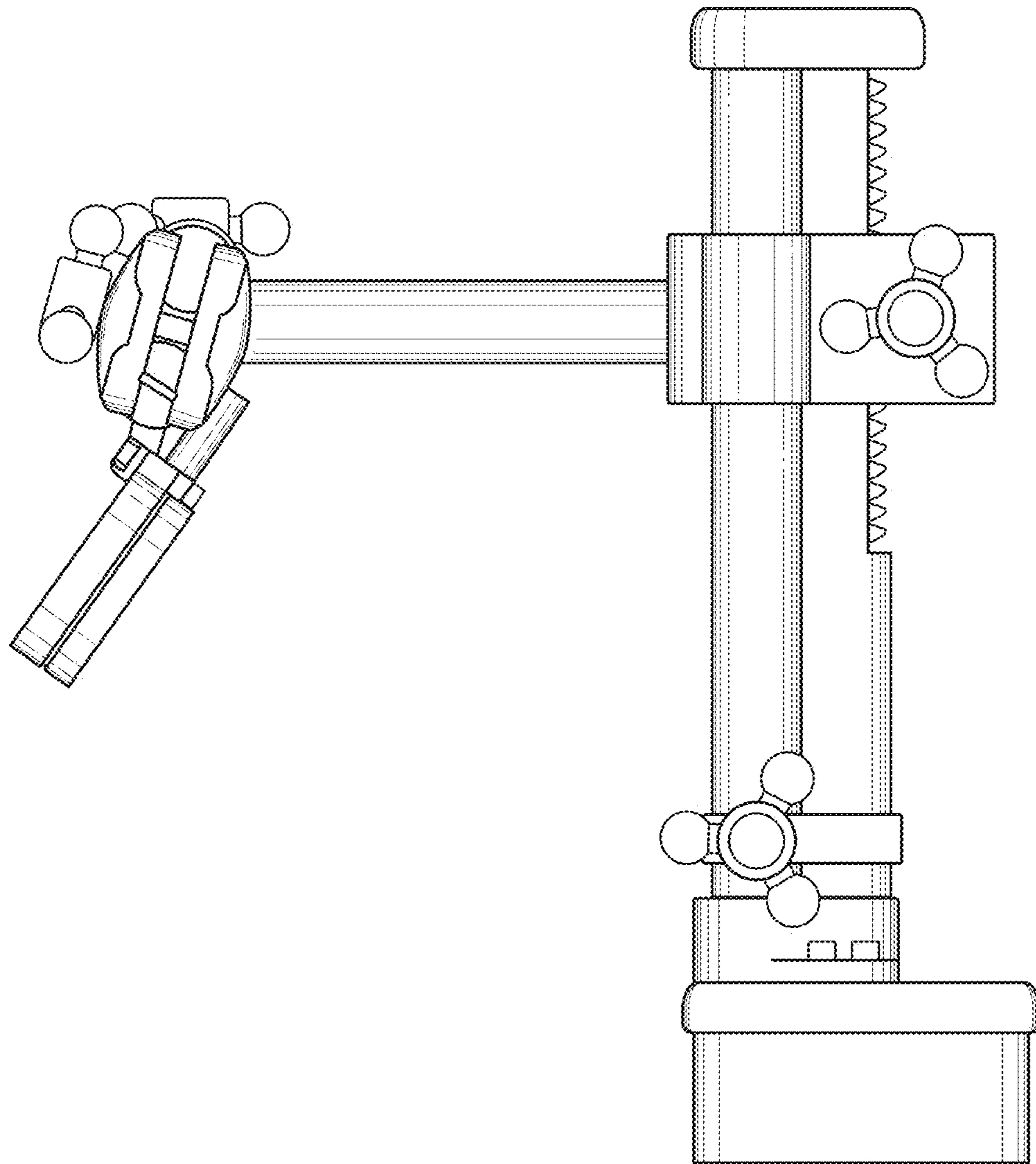


Fig. 4

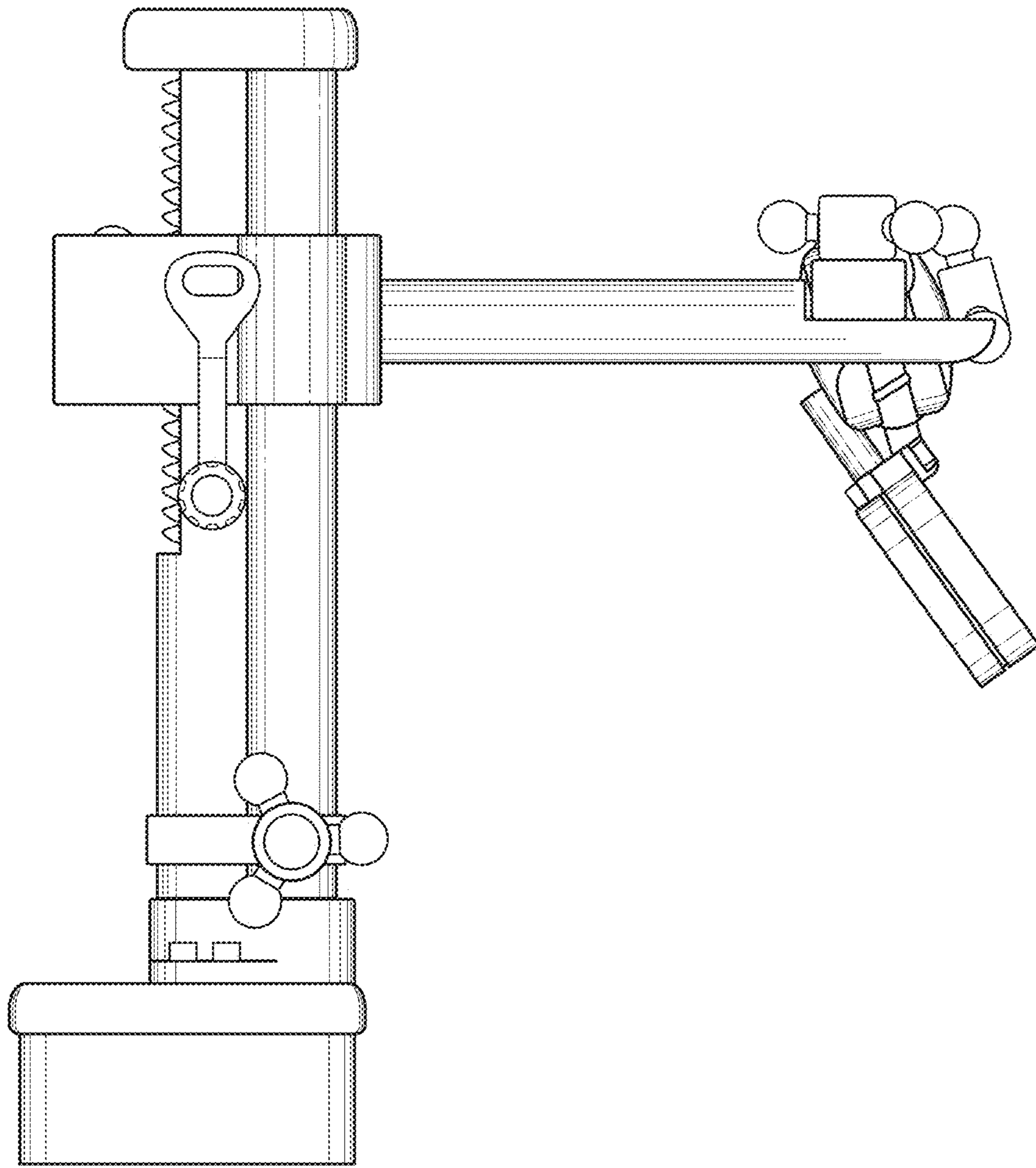


Fig. 5

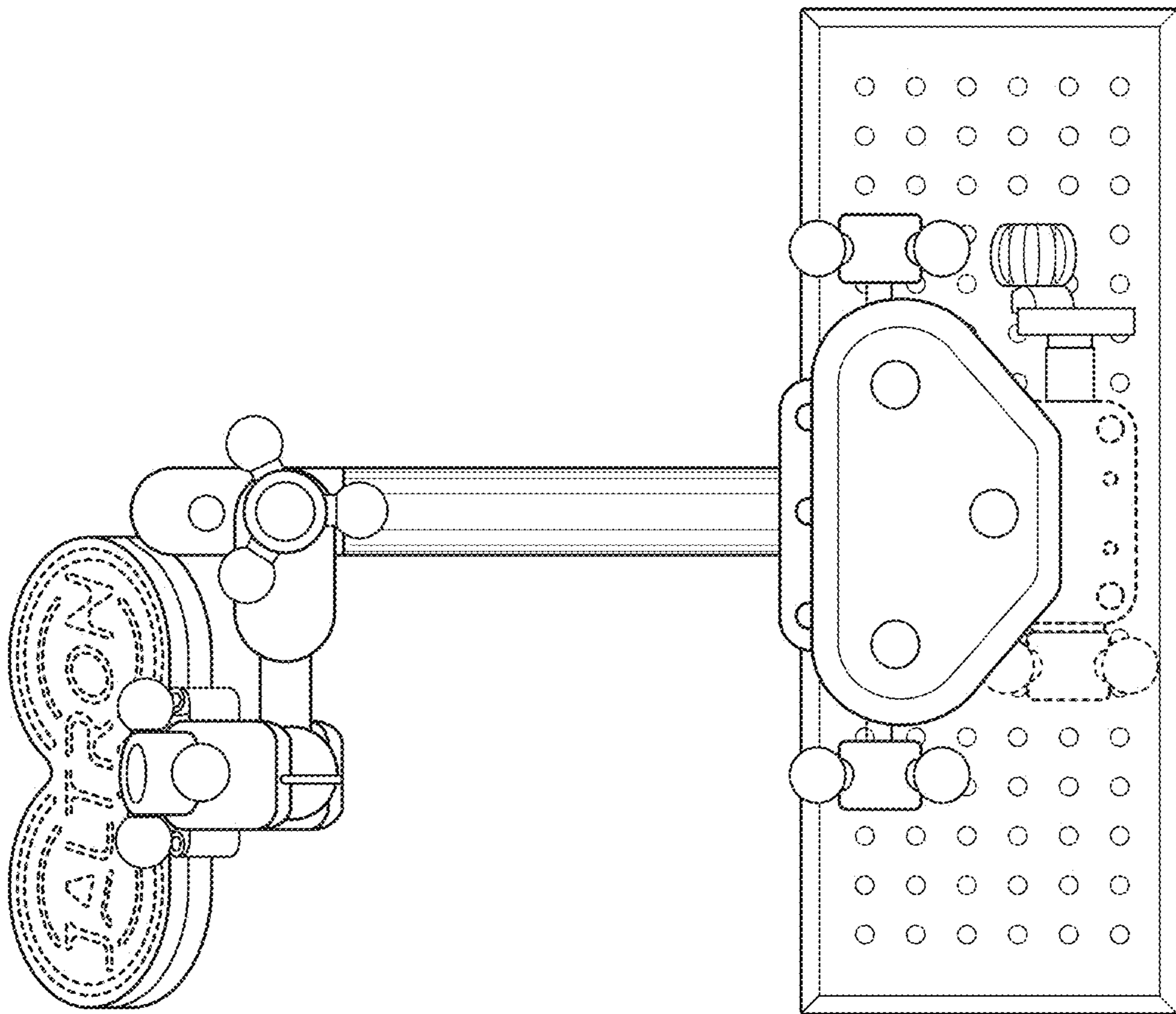


Fig. 6

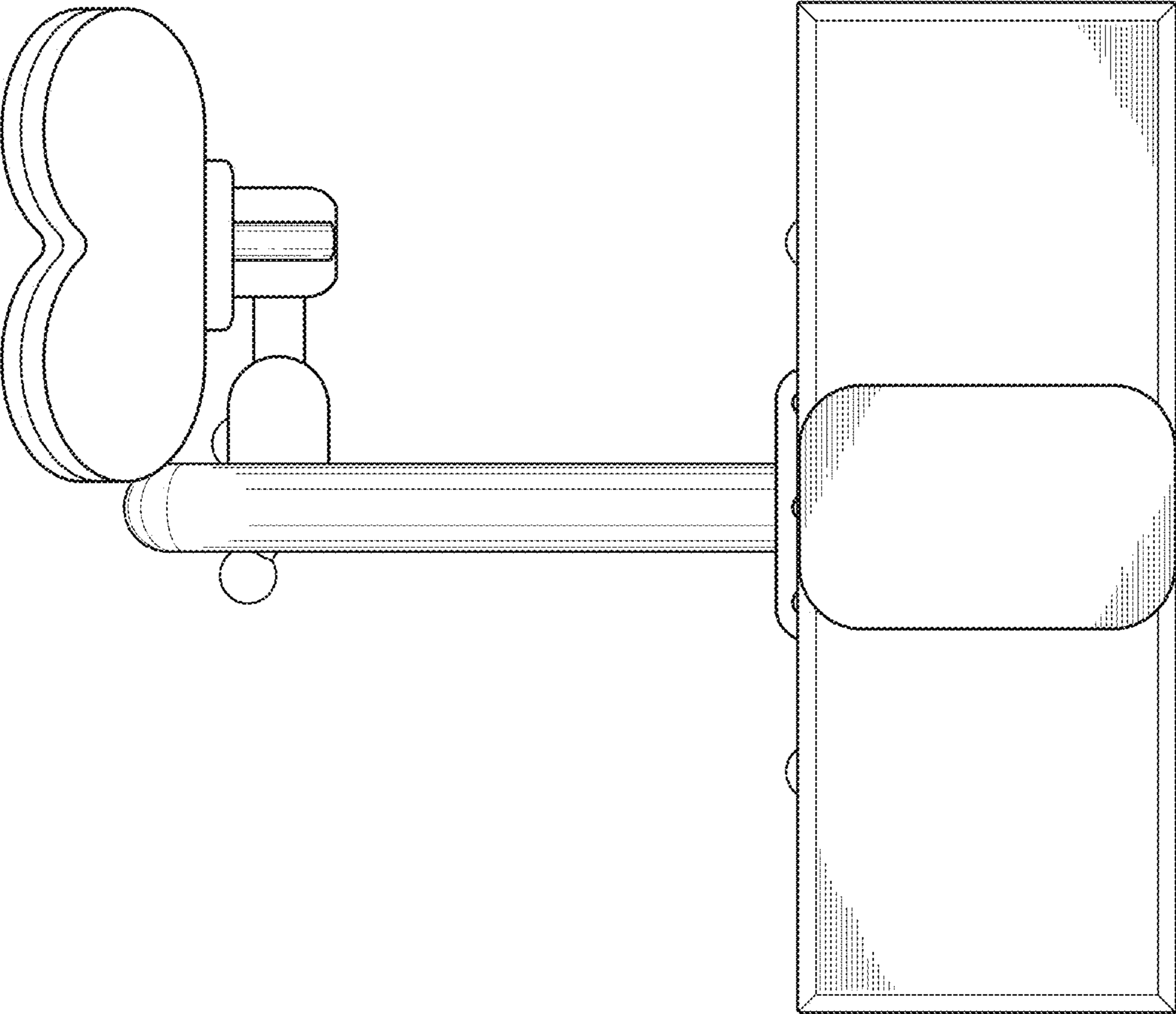


Fig. 7