



US00D979079S

(12) **United States Design Patent** (10) **Patent No.:** **US D979,079 S**
Bastien (45) **Date of Patent:** **** Feb. 21, 2023**

(54) **BABY BOTTLE**

(71) Applicant: **Sandy Bastien**, New Windsor, NY (US)

(72) Inventor: **Sandy Bastien**, New Windsor, NY (US)

(73) Assignee: **Baba Lid Products**, Monroe, NY (US)

(**) Term: **15 Years**

(21) Appl. No.: **29/739,593**

(22) Filed: **Jun. 26, 2020**

(51) **LOC (14) Cl.** **07-01**

(52) **U.S. Cl.**

USPC **D24/197**

(58) **Field of Classification Search**

USPC D24/194, 195, 196, 197, 198, 199;
D7/392.1, 511, 513, 619.1, 622, 624.2;
D9/523, 530, 531, 537, 548, 719, 741,
D9/745

CPC A61J 9/00; A61J 9/005; A61J 9/008; A61J
9/0676; A61J 9/08; A47J 36/2411

See application file for complete search history.

(56) **References Cited**

U.S. PATENT DOCUMENTS

5,316,160	A *	5/1994	Cautereels	A61J 9/00 215/11.1
D368,138	S *	3/1996	Hamilton	D24/197
D410,548	S *	6/1999	Chomik	D24/197
D440,318	S *	4/2001	Meyers	D24/197
D478,669	S *	8/2003	Wear	D24/197
D497,672	S *	10/2004	Renz	D24/197
D538,939	S *	3/2007	Conaway	D24/197
D580,066	S *	11/2008	Tilbury	D24/197
D595,417	S *	6/2009	Driver	D24/197
D742,019	S *	10/2015	Montgomery	D24/197

2004/0256345 A1* 12/2004 Lundquist A61J 11/0085

215/11.1

2016/0067146 A1* 3/2016 Zhou A61J 9/001

215/11.5

2019/0110956 A1* 4/2019 Smith A61J 9/06

OTHER PUBLICATIONS

“BabaLid: Bottle with Tether”. Found online Aug. 5, 2022 at facebook.com. Reference dated Oct. 14, 2020. Retrieved from <https://www.facebook.com/babalidinc/photos/a.100803225151382/100803805151324/>.*

“Joovy Boob with Insulator Baby Bottle”. Found online Mar. 1, 2018 at amazon.com. Reference dated Nov. 30, 2013. Retrieved from <https://www.amazon.com/Joovy-Insulator-Bottle-Purpleness-Ounce/dp/B00HXDVNE4/>.*

(Continued)

Primary Examiner — Kendra Leslie Hamilton

(74) *Attorney, Agent, or Firm* — Joseph Farco

(57)

CLAIM

The ornamental design for a baby bottle, as shown and described.

DESCRIPTION

FIG. 1 is a top, right perspective view of a baby bottle, shown in a first configuration wherein the cap is affixed to the top of the bottle;

FIG. 2 is a front elevational view thereof;

FIG. 3 is a rear elevational view thereof;

FIG. 4 is a left side elevational view thereof;

FIG. 5 is a right side elevational view thereof;

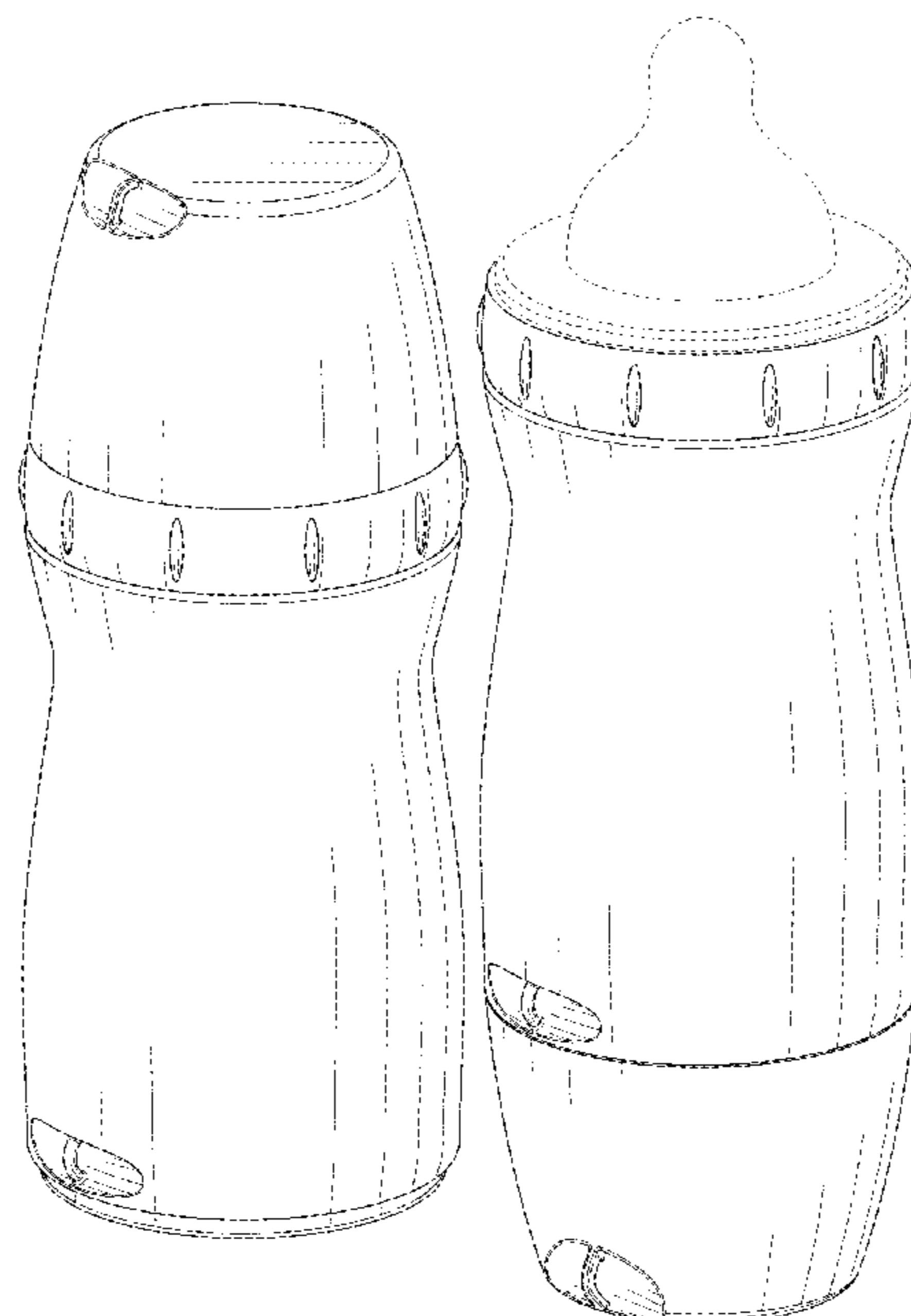
FIG. 6 is a top plan view thereof;

FIG. 7 is a bottom plan view thereof; and,

FIG. 8 is a top, right perspective view of the baby bottle of FIG. 1, shown in a second configuration wherein the cap is affixed to the bottom of the bottle.

In the drawings, the broken lines depict environmental subject matter and form no part of the claimed design.

1 Claim, 7 Drawing Sheets



(56)

References Cited

OTHER PUBLICATIONS

“Thinkbaby: Vented Baby Bottle”. Found online Feb. 1, 2018 at amazon.in. Reference dated Feb. 18, 2014. Retrieved from <https://www.amazon.in/Thinkbaby-Vented-Bottles-Natural-Orange/dp/B005JSHMVS/>.*

“KidBasix: The Safe Starter Bottle”. Found online Feb. 12, 2018 at amazon.in. Reference dated Apr. 8, 2012. Retrieved from <https://www.amazon.in/Kid-Basix-Ounce-Starter-Bottle/dp/B002LHJTRA/>.*

* cited by examiner

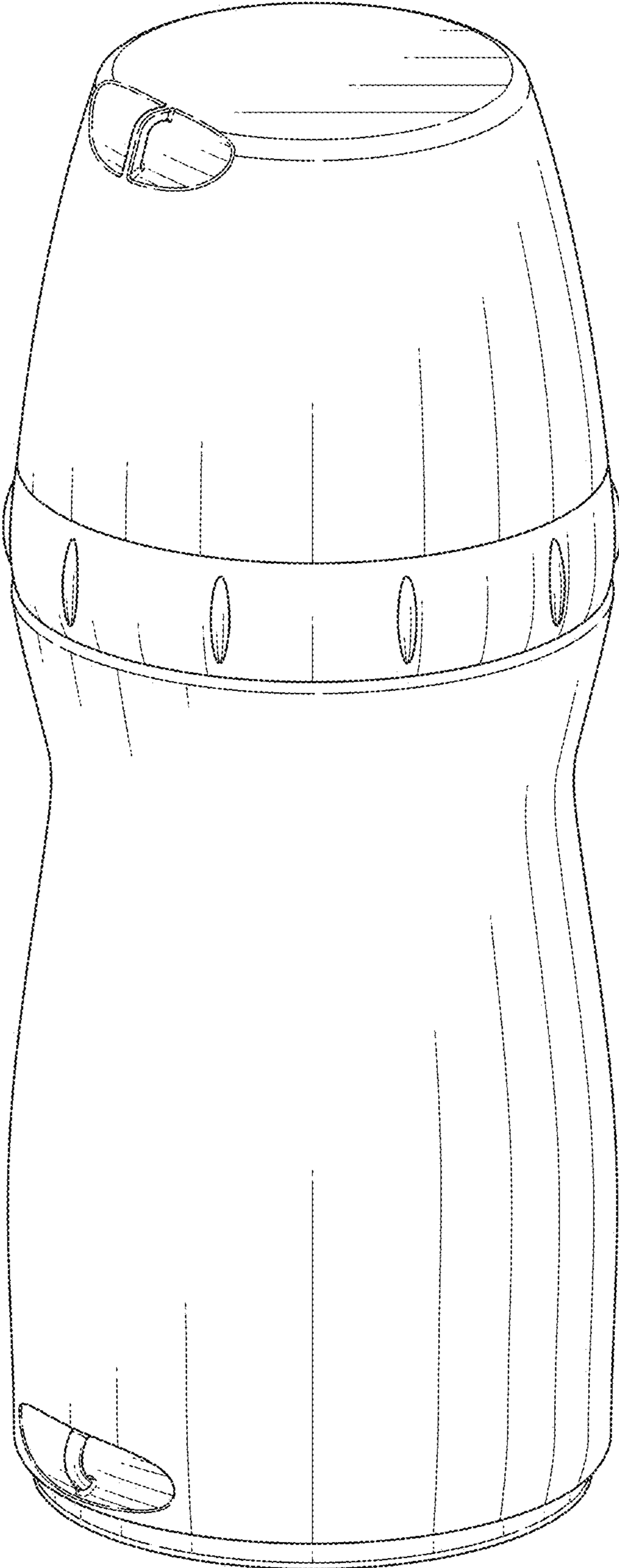


FIG. 1

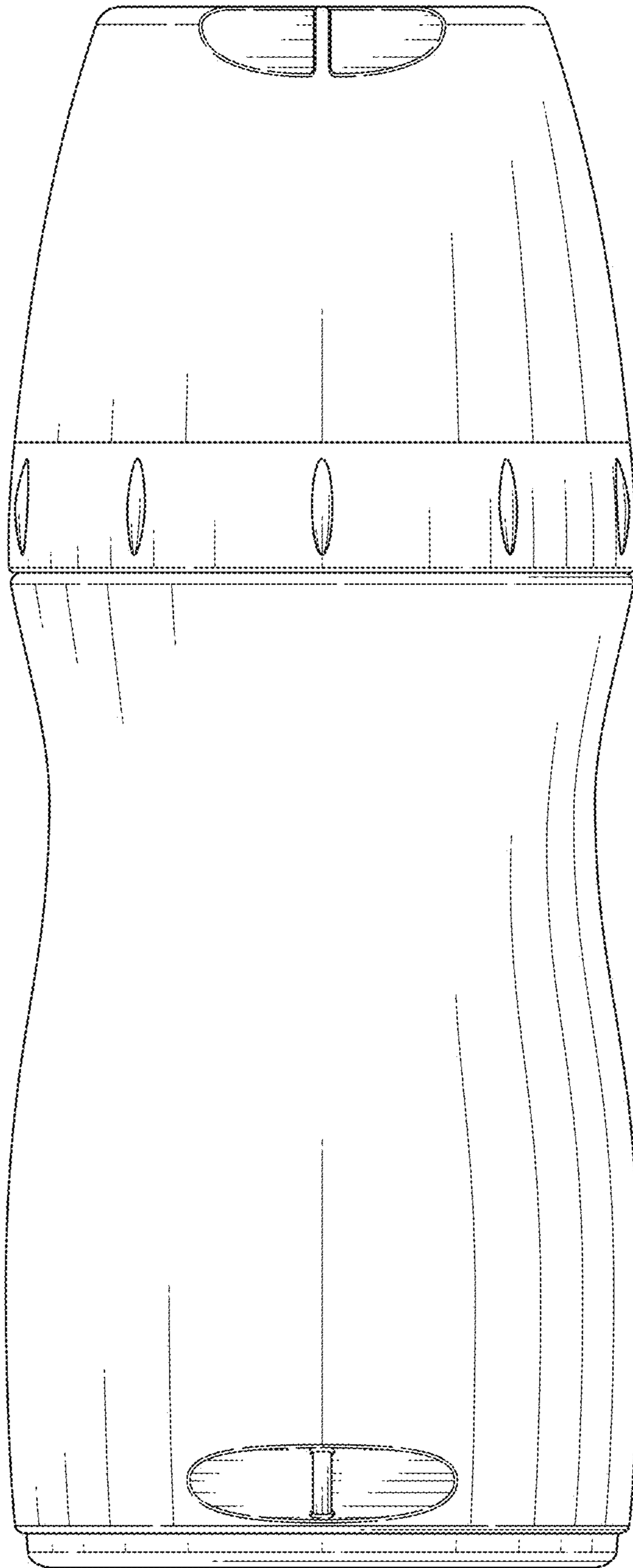


FIG. 2

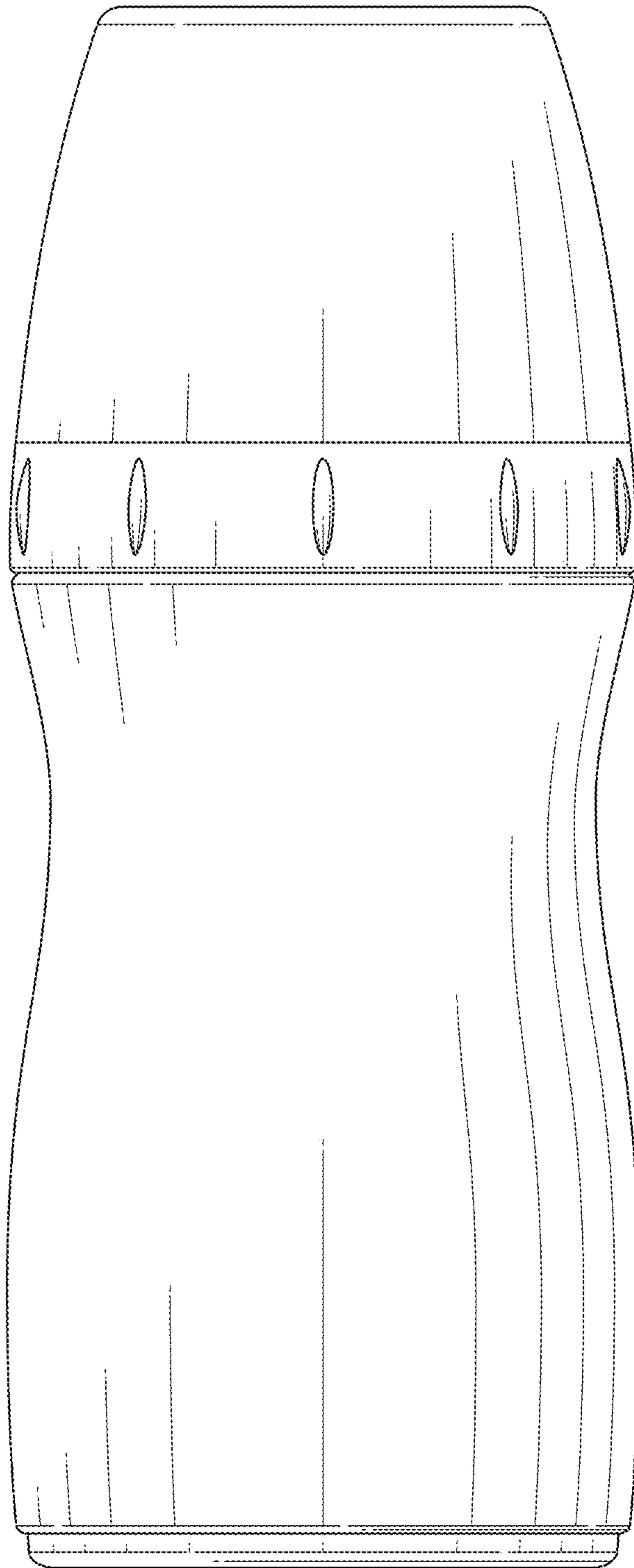


FIG. 3

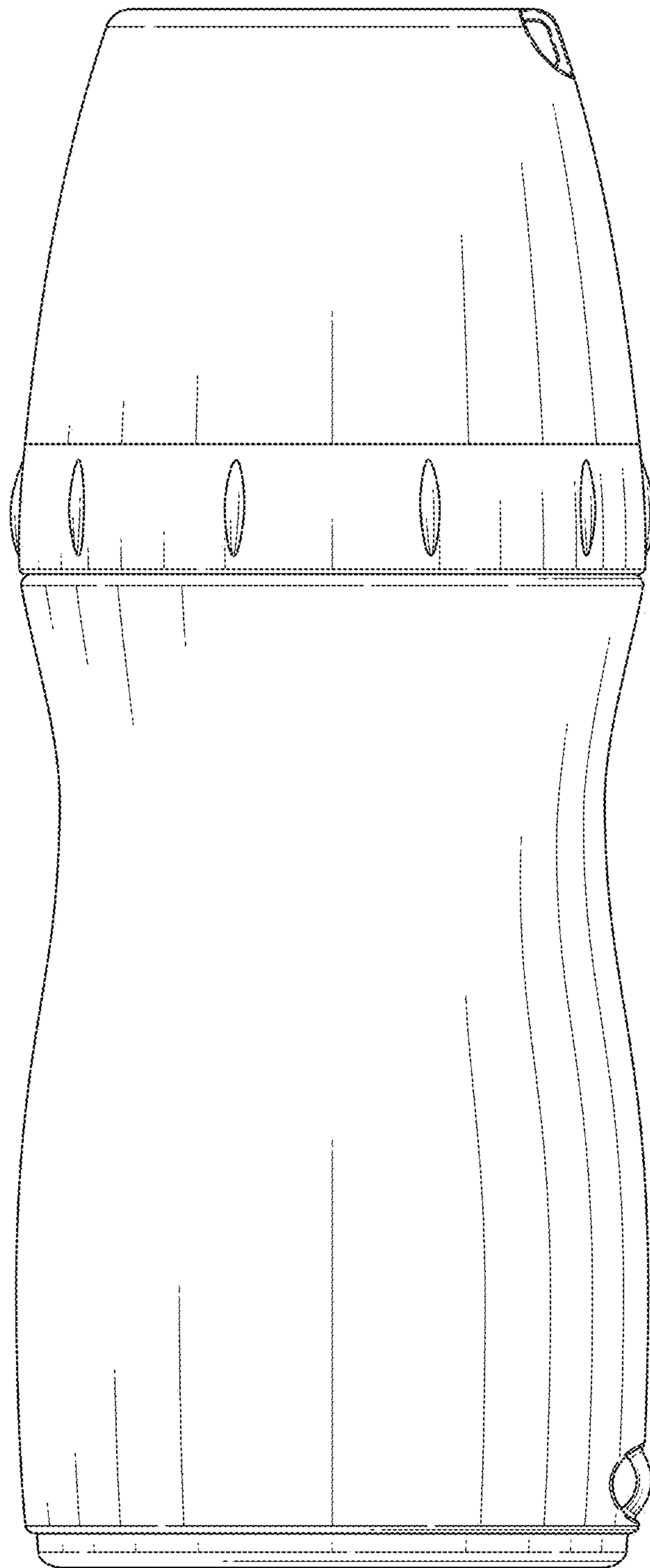


FIG. 4

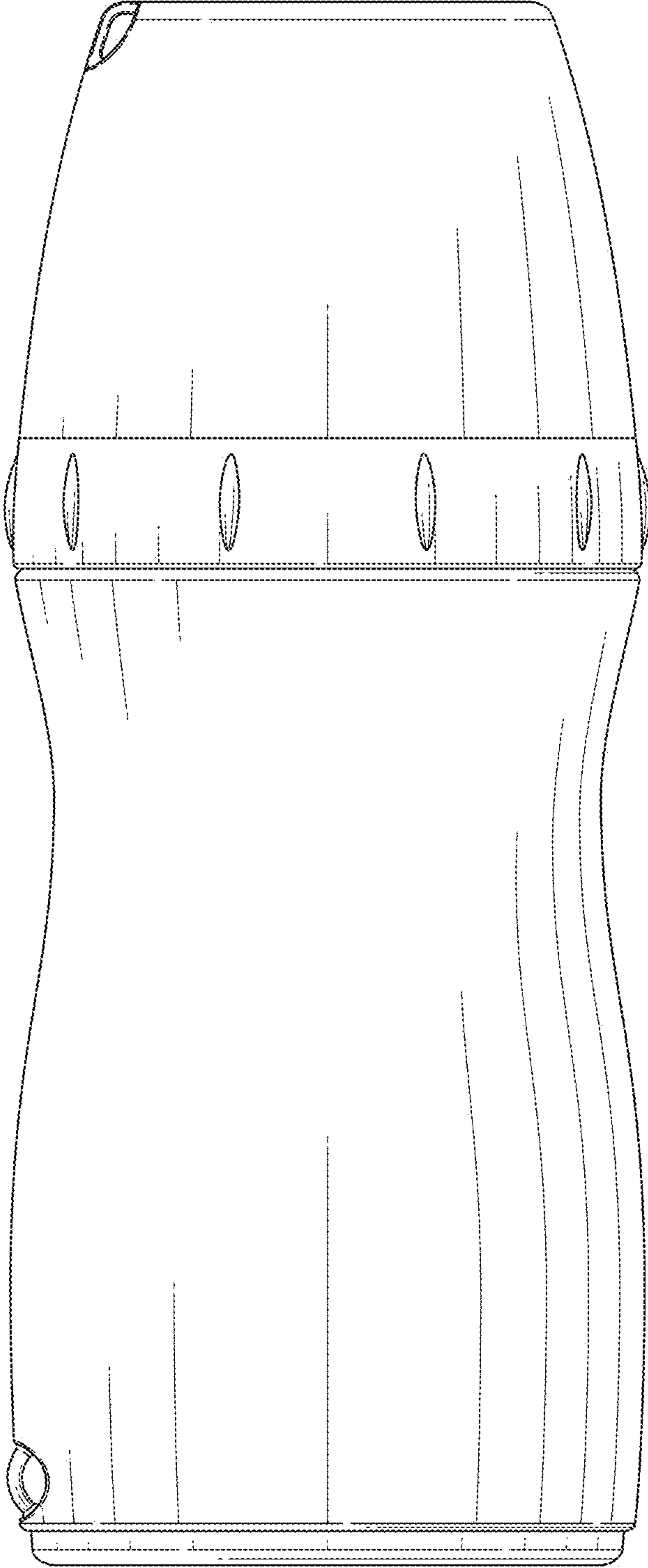


FIG. 5

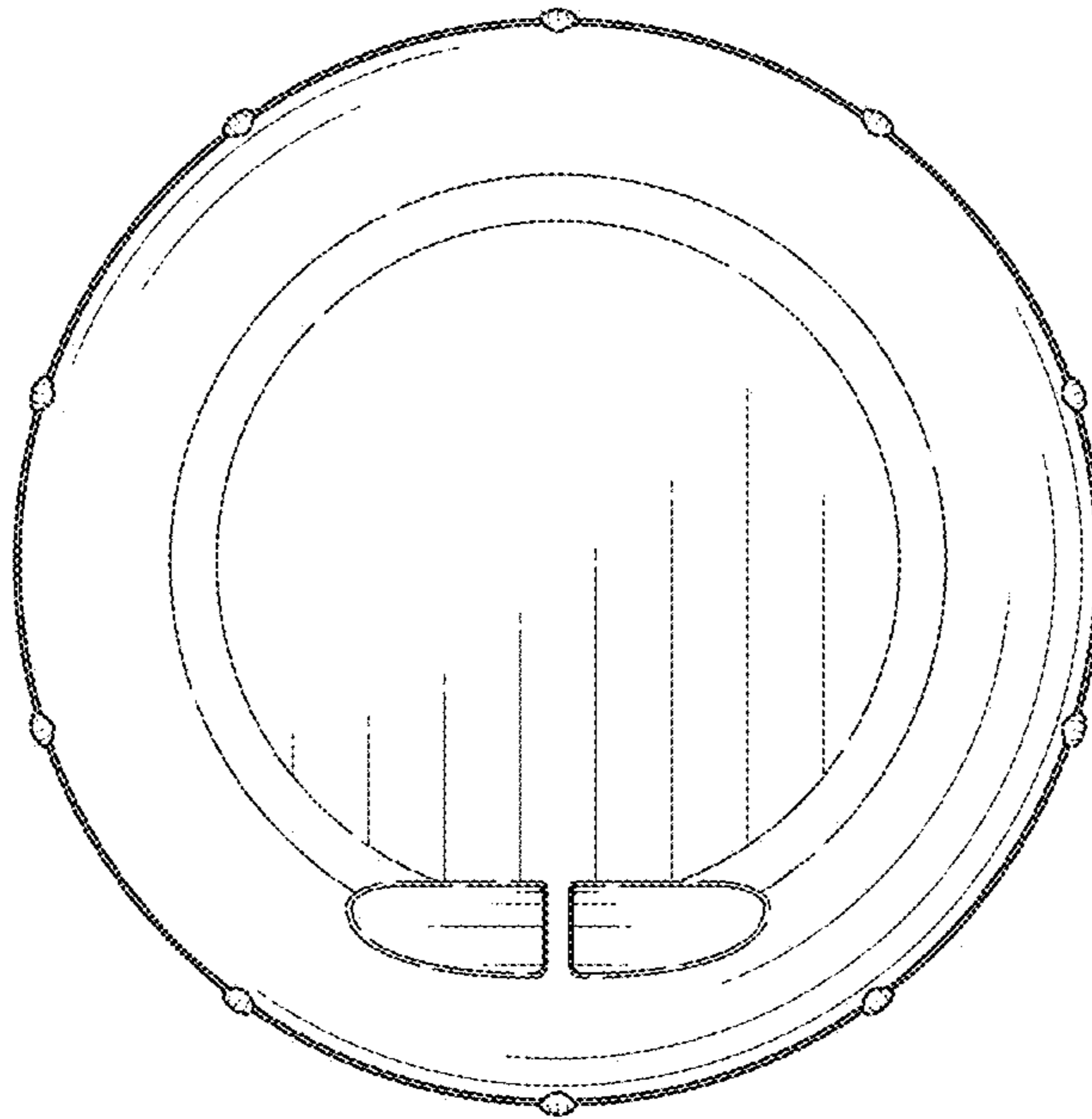


FIG. 6

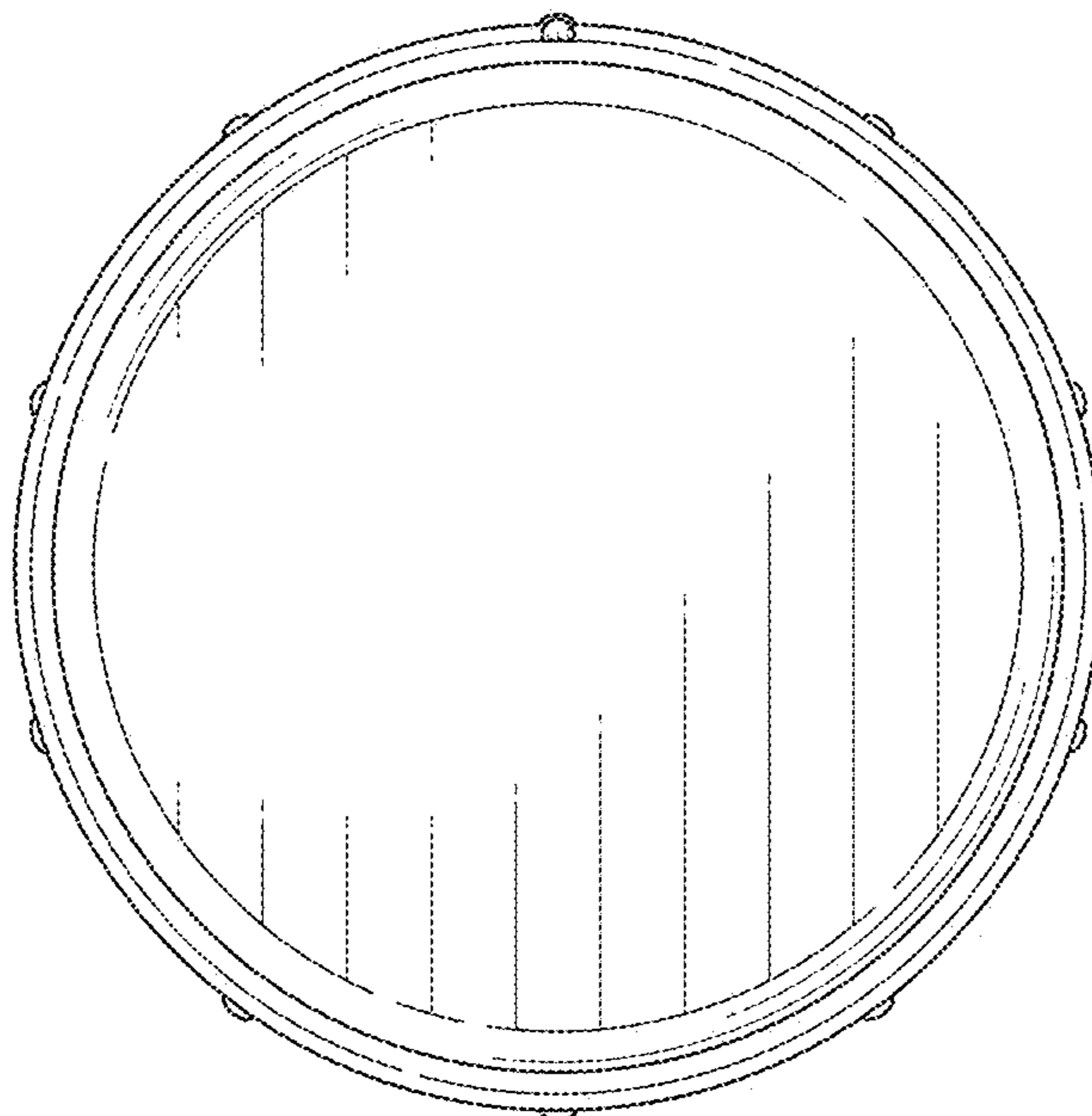


FIG. 7

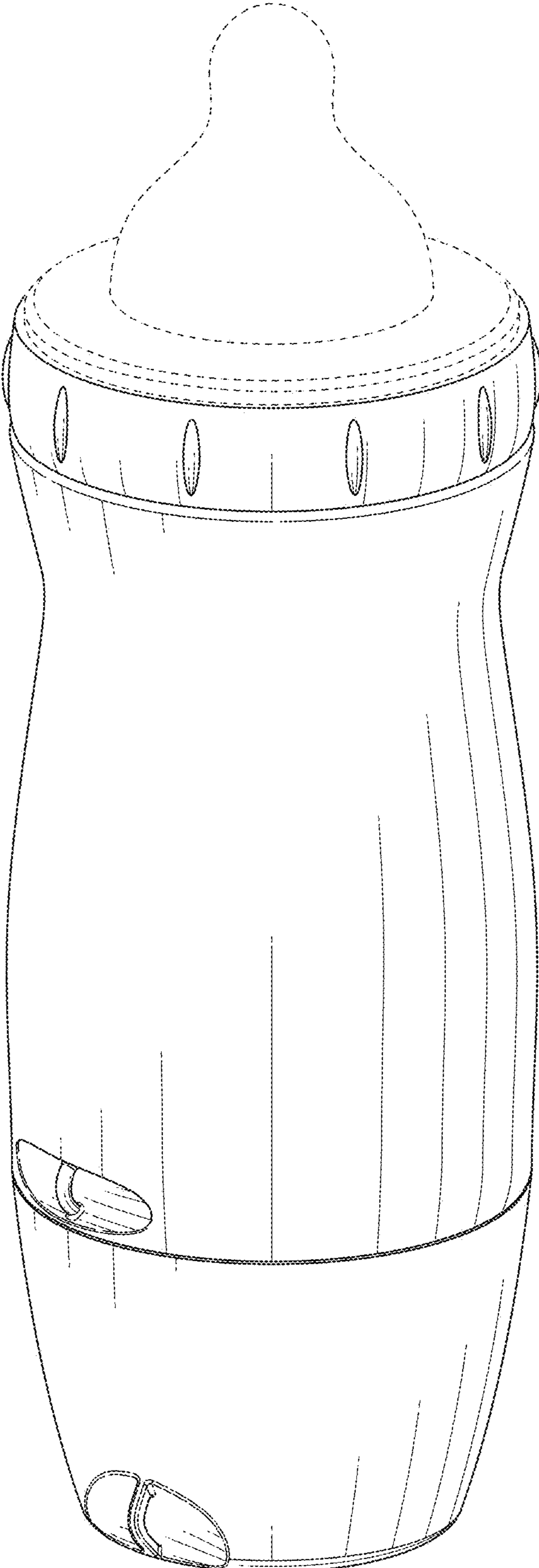


FIG. 8