



US00D979076S

(12) **United States Design Patent**
Laing et al.

(10) **Patent No.:** **US D979,076 S**
(45) **Date of Patent:** **** Feb. 21, 2023**

(54) **UROFLOWMETER**

FOREIGN PATENT DOCUMENTS

(71) Applicant: **CLEARTRAC TECHNOLOGIES, LLC**, Elizabethton, TN (US)

CN 2221776 Y 3/1996
CN 105769223 A 7/2016

(Continued)

(72) Inventors: **Brent Laing**, Greenwood Village, CO (US); **John Green**, Elizabethton, TN (US); **Paul R. Johnson**, Boulder, CO (US); **Robert John Smith**, Louisville, CO (US); **Robert Edwin Schneider**, Erie, CO (US); **Magnus Hargis**, Hudson, CO (US); **Elise Geolat Edson**, Boulder, CO (US); **Elizabeth A. O'Brien**, Louisville, CO (US)

OTHER PUBLICATIONS

Drive Medical. "Drive Medical Folding Steel Bedside Commode, Grey." obtained Nov. 12, 2018 from <https://www.amazon.com/Drive-Medical-Folding-Bedside-Commode/dp/B001HP7AQE/ref=sr_1_3?s=industrial&ie=UTF8&qid=1539732631&sr=1-3&keywords=commode>, 8 pages.

(Continued)

(73) Assignee: **CLEARTRAC TECHNOLOGIES, LLC**, Elizabethton, TN (US)

Primary Examiner — Anhdao Doan

(74) *Attorney, Agent, or Firm* — Dorsey & Whitney LLP

(**) Term: **15 Years**

(57) **CLAIM**

(21) Appl. No.: **29/810,315**

The ornamental design for a uroflowmeter, as shown and described.

(22) Filed: **Oct. 4, 2021**

DESCRIPTION

Related U.S. Application Data

(63) Continuation of application No. 29/656,567, filed on Jul. 13, 2018, now Pat. No. Des. 932,632.

(51) **LOC (14) Cl.** **24-02**

(52) **U.S. Cl.**
USPC **D24/186**; D24/122

(58) **Field of Classification Search**
USPC D24/107, 121, 122, 129, 130, 186, 216, D24/217, 223–227, 231, 232, 133; D10/81, 96, 102; D7/691

(Continued)

FIG. 1 shows a front perspective view of a uroflowmeter; FIG. 2 shows a rear perspective view of the uroflowmeter of FIG. 1; FIG. 3 shows a right elevation view of the uroflowmeter of FIG. 1; FIG. 4 shows a left elevation view of the uroflowmeter of FIG. 1; FIG. 5 shows a front elevation view of the uroflowmeter of FIG. 1; FIG. 6 shows a rear elevation view of the uroflowmeter of FIG. 1; FIG. 7 shows a top view of the piece of the uroflowmeter of FIG. 1; and, FIG. 8 shows a bottom view of the uroflowmeter of FIG. 1. The broken lines in FIGS. 1-8 illustrate portions of the uroflowmeter and form no part of the claimed design.

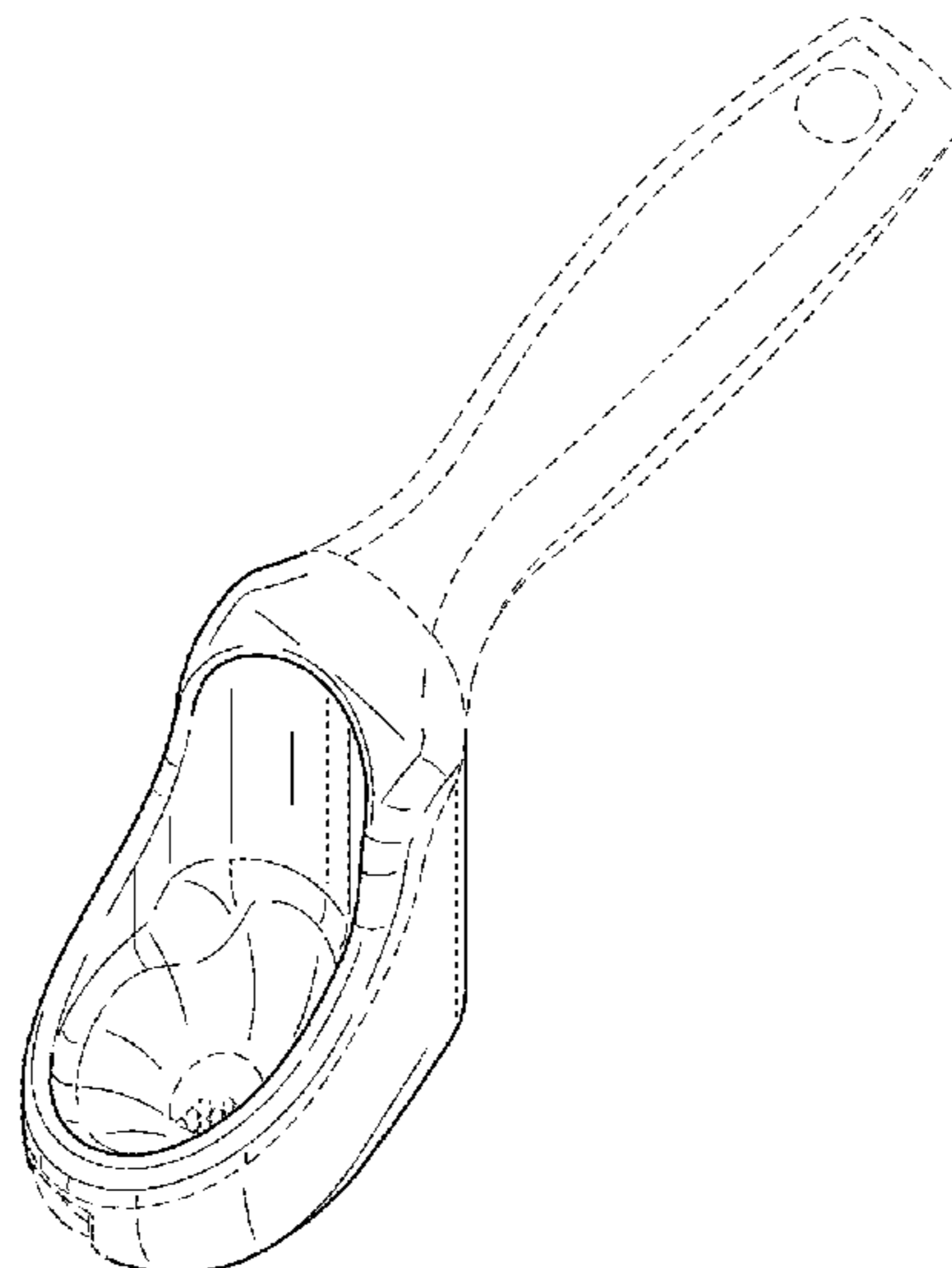
(56) **References Cited**

U.S. PATENT DOCUMENTS

2,648,981 A 8/1953 Drake
3,172,130 A 3/1965 Lange

(Continued)

1 Claim, 4 Drawing Sheets



(56)

References Cited

OTHER PUBLICATIONS

Collection-Unit-QTY-1/dp/B002ZUCVP0#feature-bullets-btf>, 6 pages.

Bestmedical. "Uroflowmeter: Portable & wireless." obtained Nov. 12, 2018 from <<http://www.best-medical.nl/uroflowmeter/>>, 6 pages.

MDTI. "Uflow meter Male Urine Peak Flow Device." obtained Nov. 12, 2018 from <<https://www.mdti.co.uk/uflow->>, 2 pages.

Albyn Medical Product Detail. "SmartFlow: SmartFlow brings together high specifications and ease-of-use." Obtained Nov. 12, 2018 from <<http://www.albynmedical.com/products/ProductDetail.aspx?ID=8>>, 2 pages.

Laborie: "Uroflometry: Uroflowmeters designed for practical, every-day studies, available in a range of configurations to meet different demands." obtained Nov. 12, 2018 from <<https://www.laborie.com/category/urology-urogynecology/uroflowmetry/>>, 6 pages.

Minze Health. "Homeflow." obtained Nov. 12, 2018 from <<https://minzehealth.com/products/homeflow/>>, 8 pages.

Chun, Kwonsoo et al., "Noninvasive Medical Tools for Evaluating Voiding Pattern in Real Life." International Neurology Journal, 2017, S10-16.

Do It Yourself, "Urinal Repair: Troubleshoot Urinal Plumbing Problems", <https://web.archive.org/web/20171015111849/http://www.doityourself.com/urinal-repair-troubleshoot-urinal-plumbing-problems>; accessed on May 13, 2019, Oct. 15, 2017, 3 pages.

PCT, "International Search Report and Written Opinion", Application No. PCT/US2019/021292, dated May 8, 2019, 11 pages.

PCT, "International Search Report and Written Opinion", Application No. PCT/US19/21421, dated May 31, 2019, 16 pages.

* cited by examiner

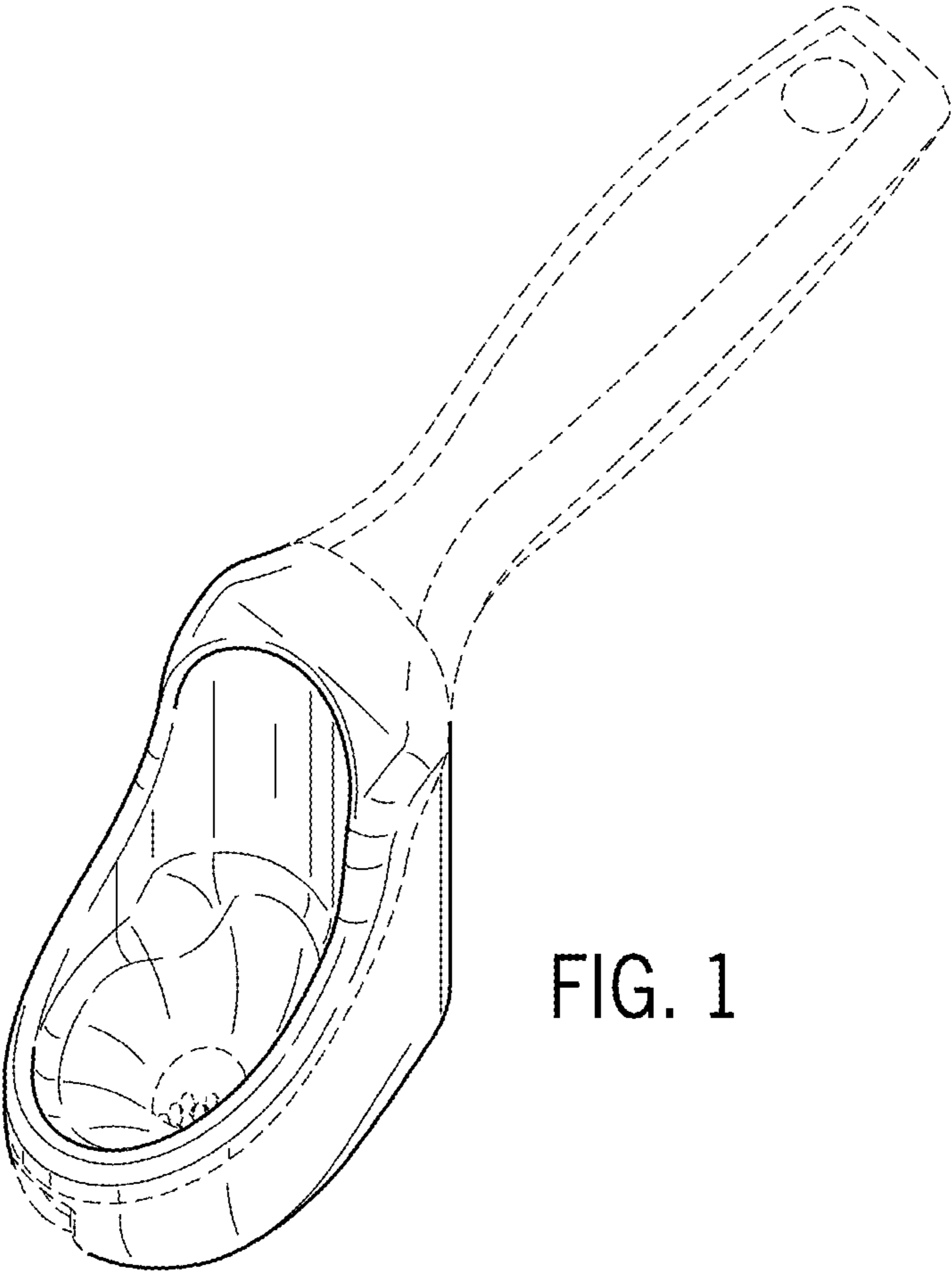


FIG. 1

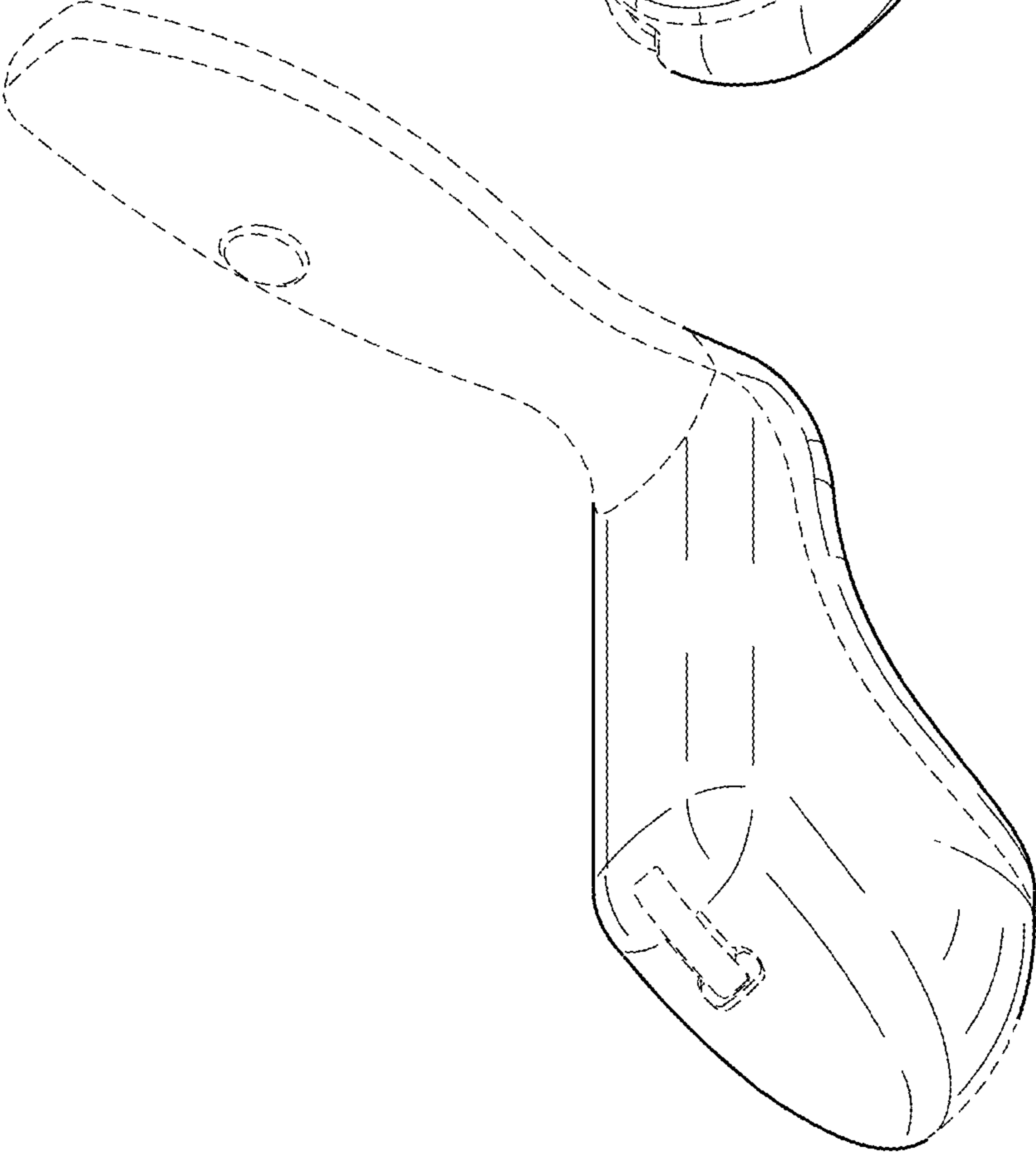


FIG. 2

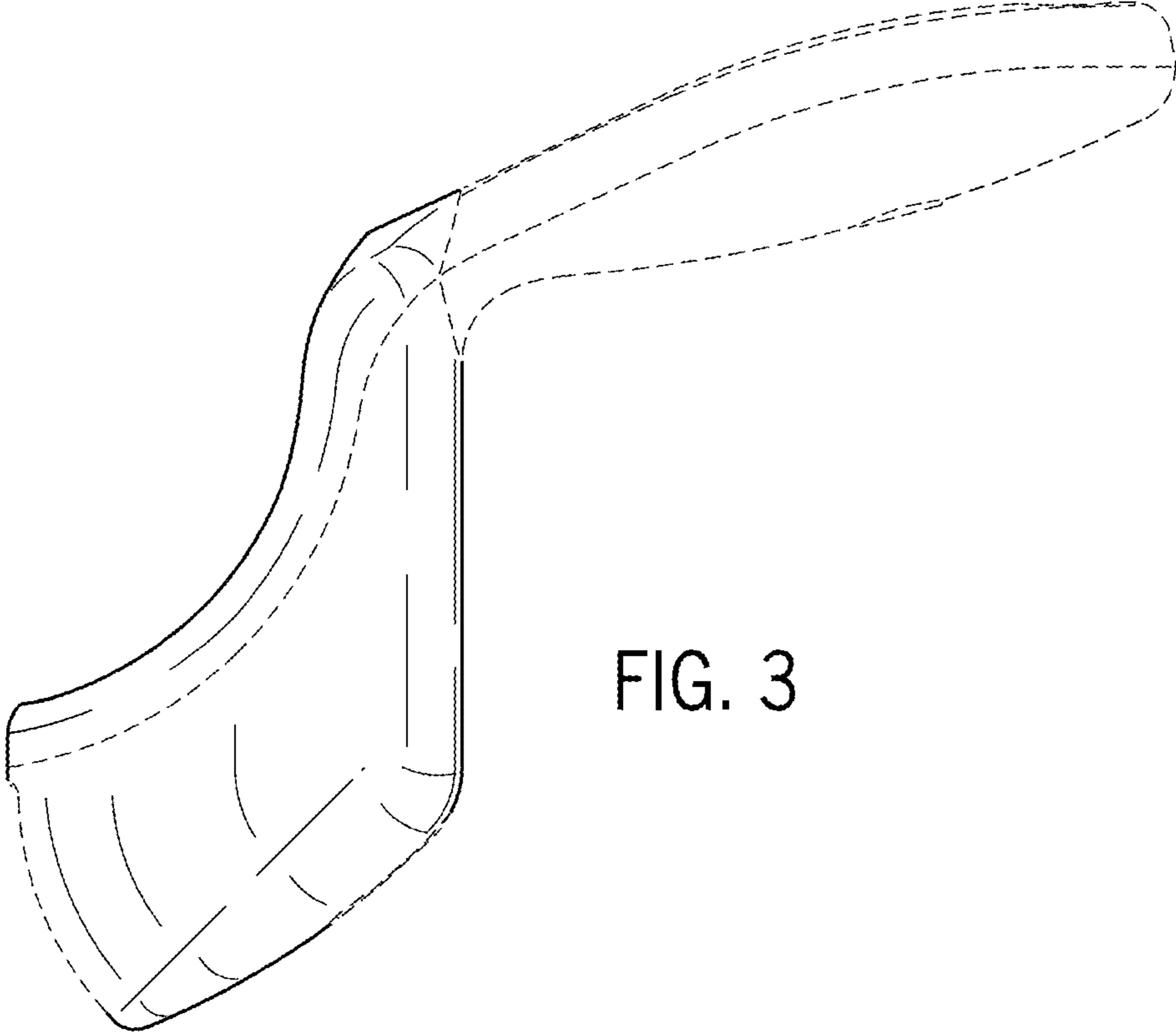


FIG. 3

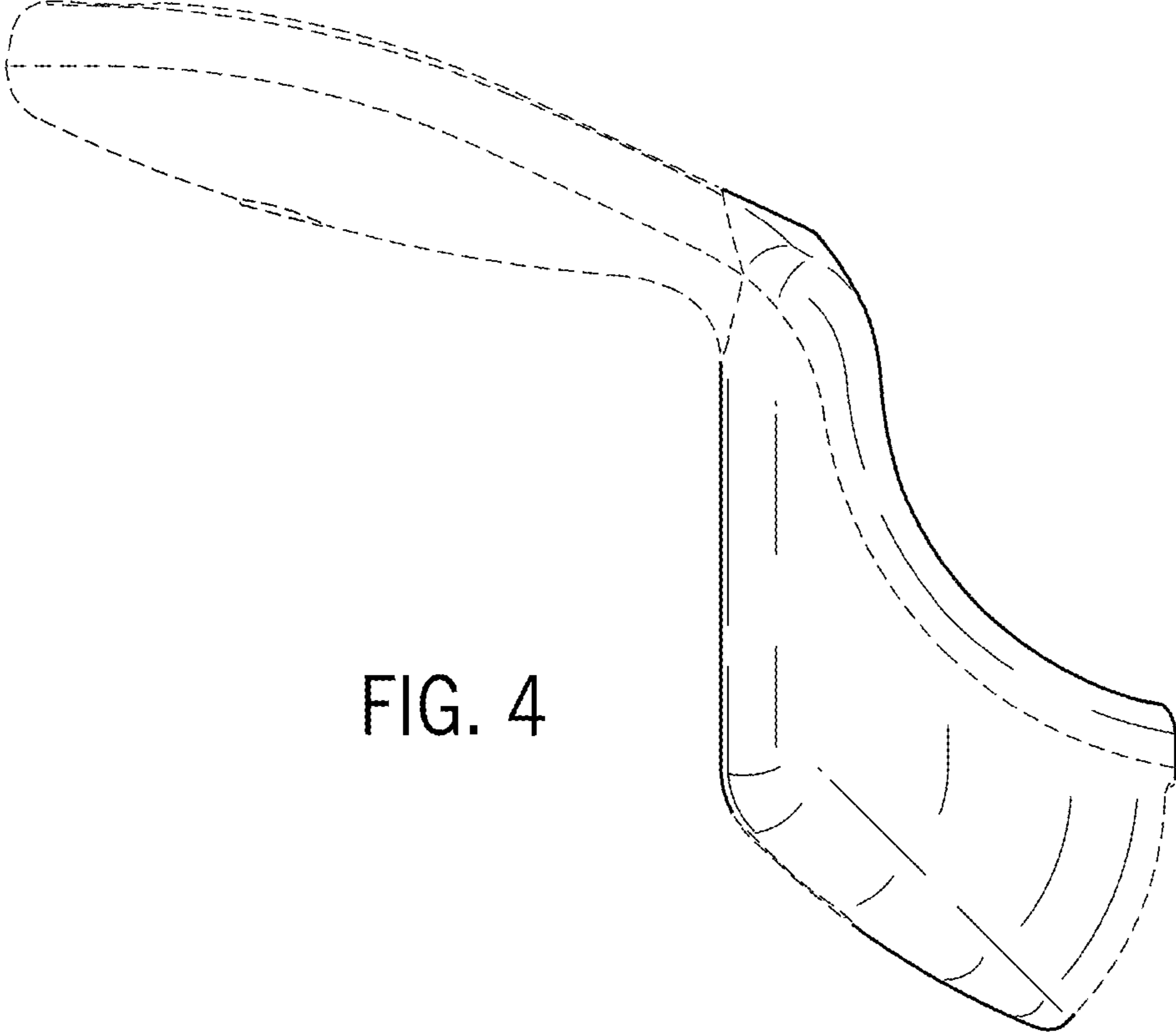


FIG. 4

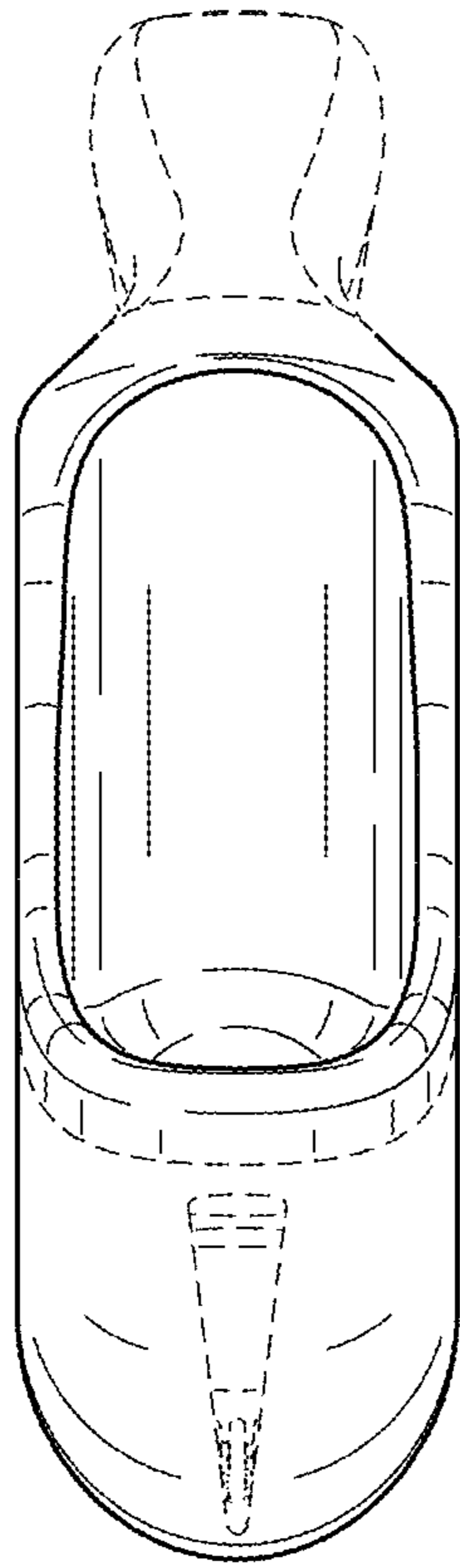


FIG. 5

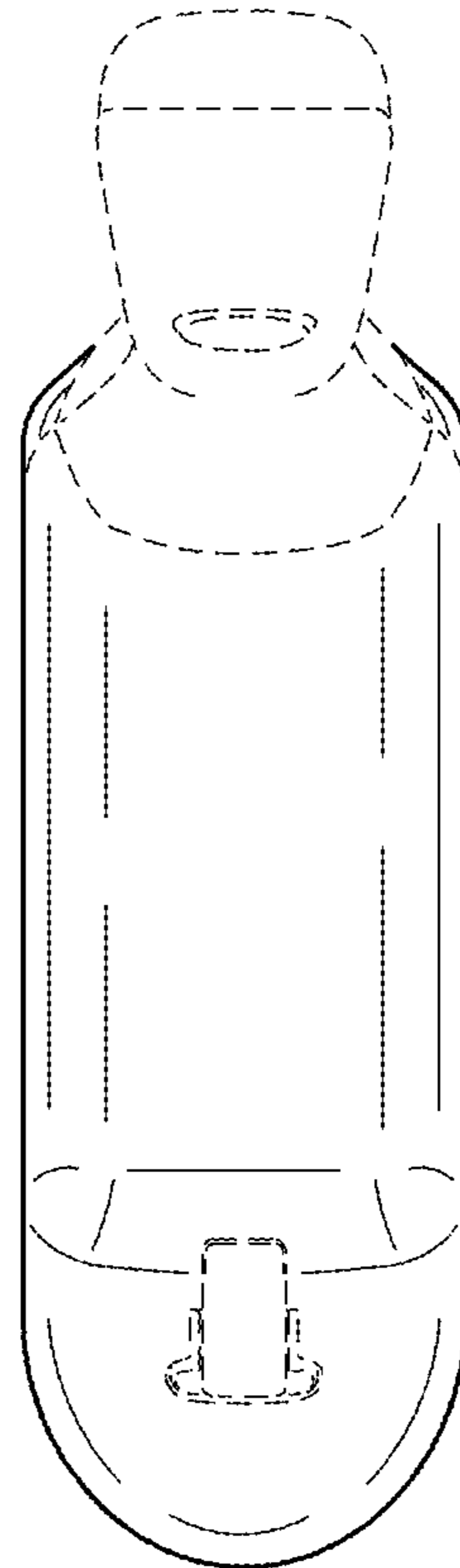


FIG. 6

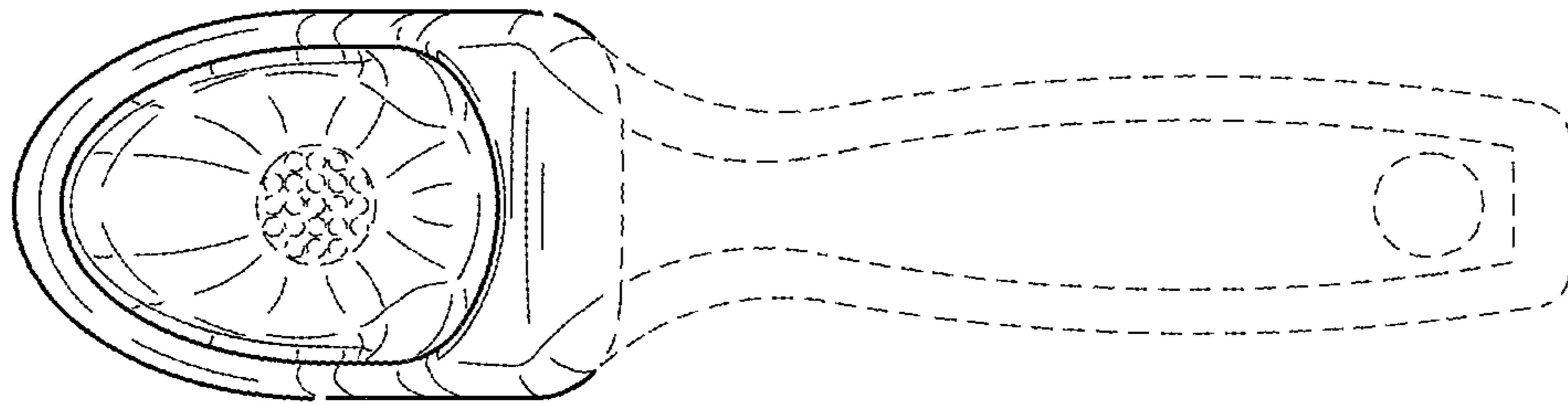


FIG. 7

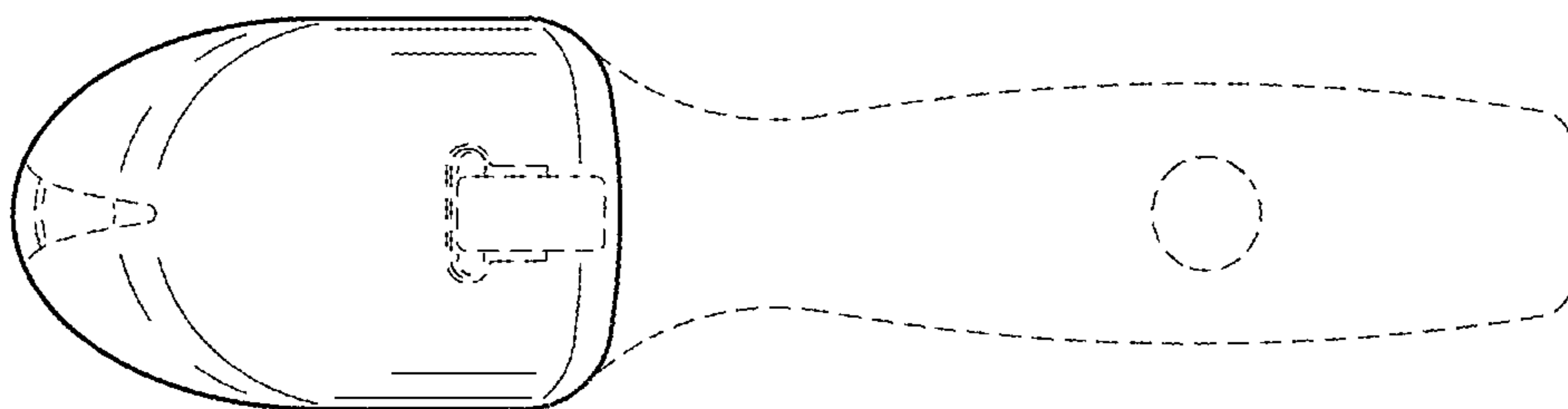


FIG. 8