



US00D979075S

(12) **United States Design Patent** (10) **Patent No.:** **US D979,075 S**
Watters, III et al. (45) **Date of Patent:** **** Feb. 21, 2023**

(54) **LATERAL ARM SUPPORT DEVICE**

(71) Applicant: **BONE FOAM, INC.**, Corcoran, MN (US)

(72) Inventors: **Benjamin J. Watters, III**, Saint Louis Park, MN (US); **Clinton J. McCullough**, Blaine, MN (US); **Peter A. Cole, Jr.**, North Oaks, MN (US)

(73) Assignee: **Bone Foam, Inc.**, Corcoran, MN (US)

(**) Term: **15 Years**

(21) Appl. No.: **29/728,091**

(22) Filed: **Mar. 16, 2020**

(51) **LOC (14) Cl.** **24-02**

(52) **U.S. Cl.**
USPC **D24/184**; D24/190

(58) **Field of Classification Search**
USPC D24/183, 184, 190-192; D29/120.1, D29/121.1, 122, 121.2; D6/596-604
CPC A61F 5/0111; A61F 5/0127; A61F 13/066; A61F 2/6607; A61F 5/37; A47G 9/10; A47C 20/021; A47C 20/023; A47C 16/00; A47C 20/026; A47C 20/027; A61G 7/0755; A61G 13/121; A61G 7/075; A61G 13/1235

See application file for complete search history.

(56) **References Cited**

U.S. PATENT DOCUMENTS

- 4,265,232 A * 5/1981 Stonich A61F 5/37
128/877
- 4,270,235 A * 6/1981 Gutmann A61G 7/075
5/646
- D296,932 S * 7/1988 Traghese D24/183
- D359,804 S * 6/1995 Carter D24/183
- D362,072 S * 9/1995 Sternberg D24/190
- 5,476,105 A * 12/1995 Toth A47C 20/021
128/DIG. 20
- D439,671 S * 3/2001 Casillo D24/199

- D447,568 S * 9/2001 Hall D24/183
- D625,421 S * 10/2010 Sharps D24/184
- D642,280 S * 7/2011 Goumas D24/190
- D642,694 S * 8/2011 Sharps D24/190
- D708,752 S * 7/2014 Oberst D24/190
- D733,897 S * 7/2015 Rossouw D24/190
- D783,834 S * 4/2017 Johnson D24/184
- D813,398 S * 3/2018 Barber D24/183
- D871,593 S * 12/2019 Rossouw D24/190
- D885,589 S * 5/2020 Marcil D24/190
- D943,752 S * 2/2022 Watters, III D24/190
- D953,539 S * 5/2022 Szparsi D24/183

OTHER PUBLICATIONS

Bone Foam Shark Lateral Positioner. Online, published date unknown. Retrieved on Aug. 6, 2021 from URL: <https://www.bonefoam.com/product/upper-extremity-lateral-positioner/>.*

* cited by examiner

Primary Examiner — Omeed Agilee

(74) *Attorney, Agent, or Firm* — Workman Nydegger

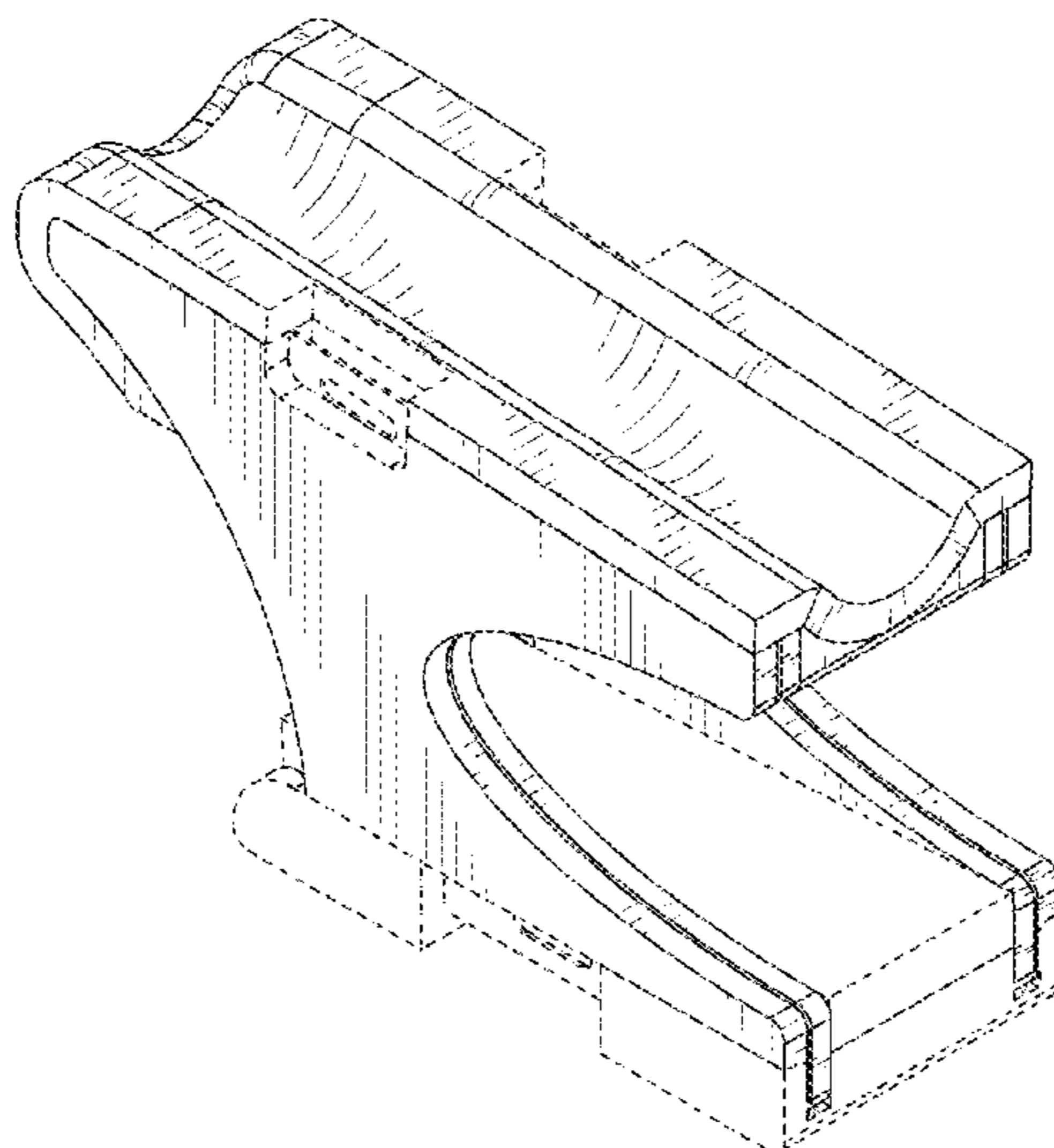
(57) **CLAIM**

The ornamental design for a lateral arm support device, as shown and described.

DESCRIPTION

FIG. 1 is a front, right perspective view of a lateral arm support device;
FIG. 2 is a front elevation view thereof;
FIG. 3 is a rear elevation view thereof;
FIG. 4 is a top plan view thereof;
FIG. 5 is a bottom plan view thereof;
FIG. 6 is a right side elevation view thereof; and,
FIG. 7 is a left side elevation view thereof.
The broken lines in the drawings depict portions of the lateral arm support device that form no part of the claimed design.

1 Claim, 3 Drawing Sheets



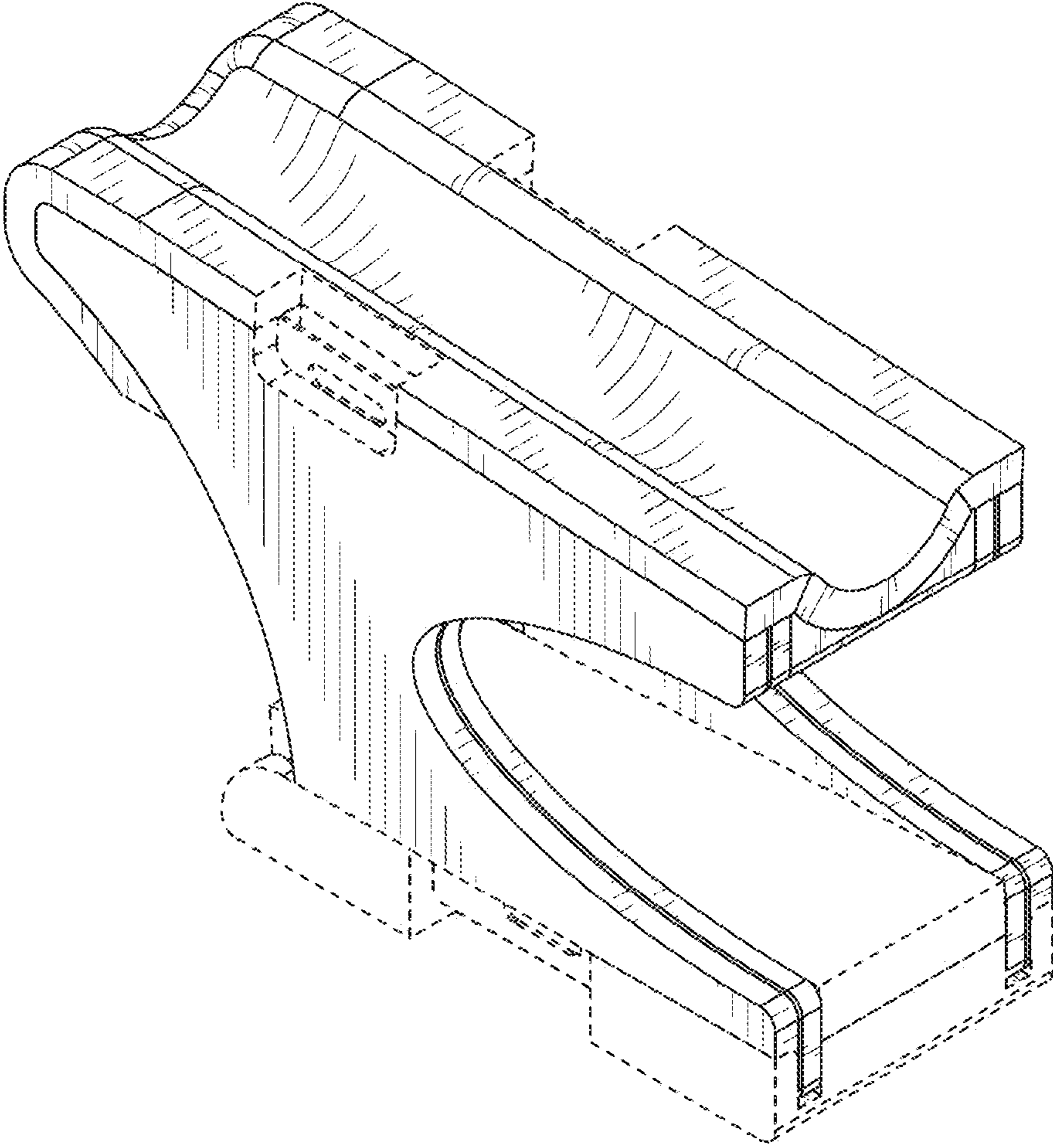


FIG. 1

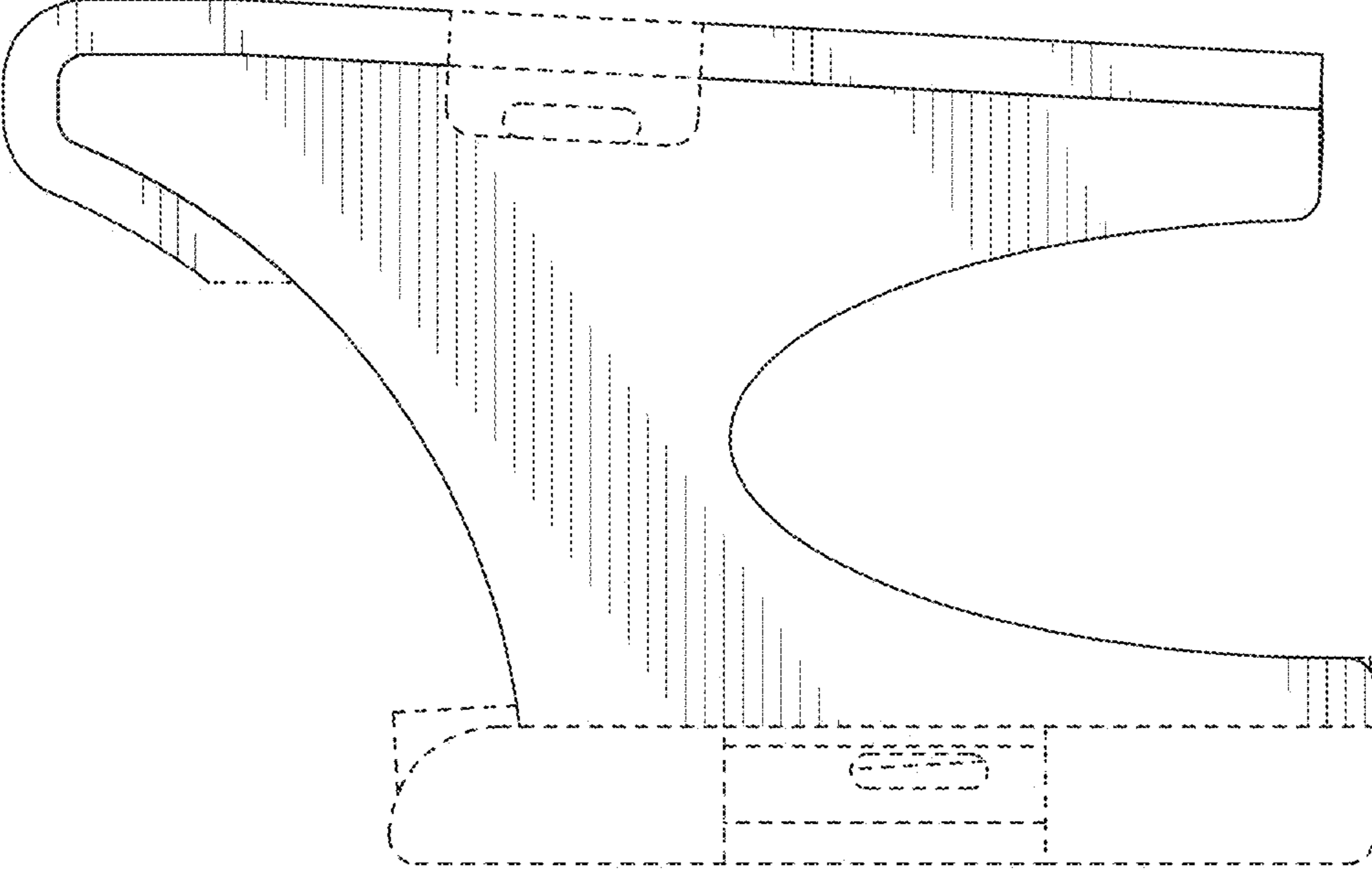


FIG. 2

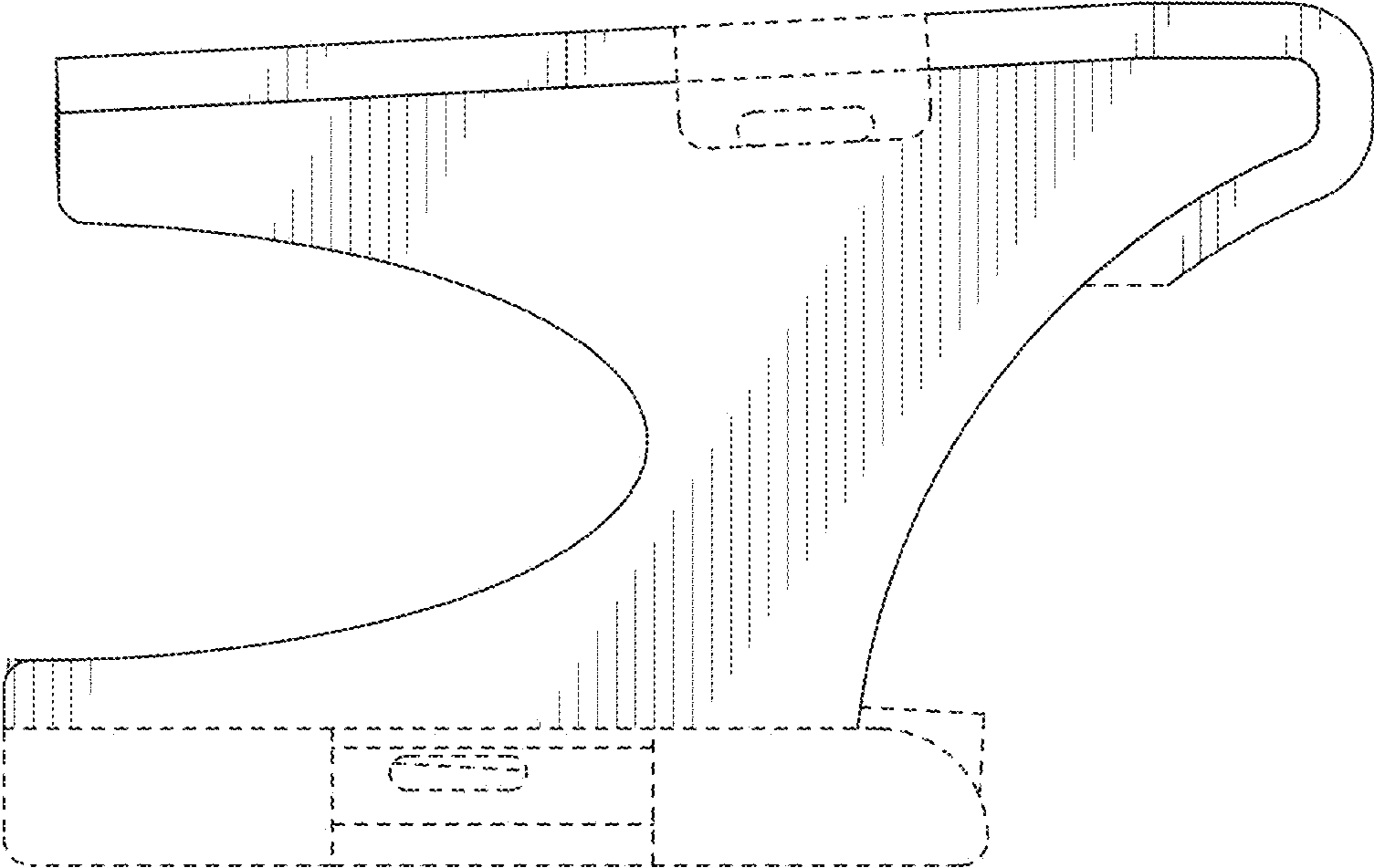


FIG. 3

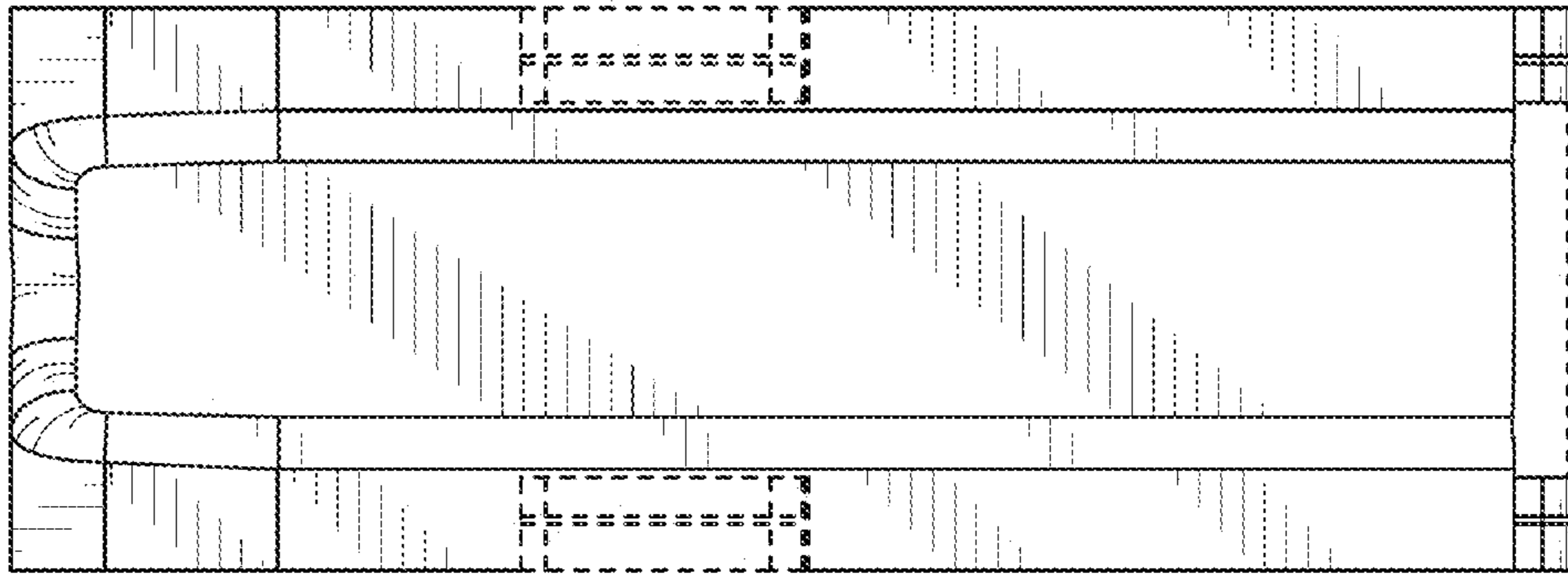


FIG. 4

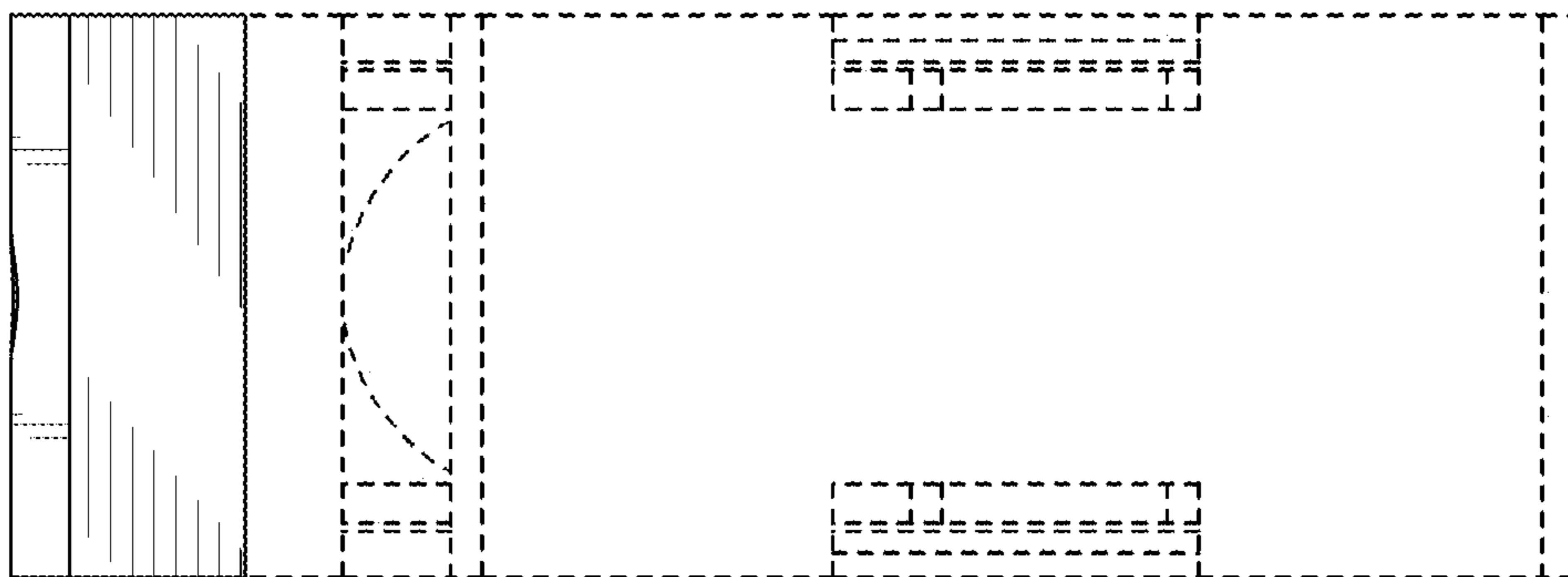


FIG. 5

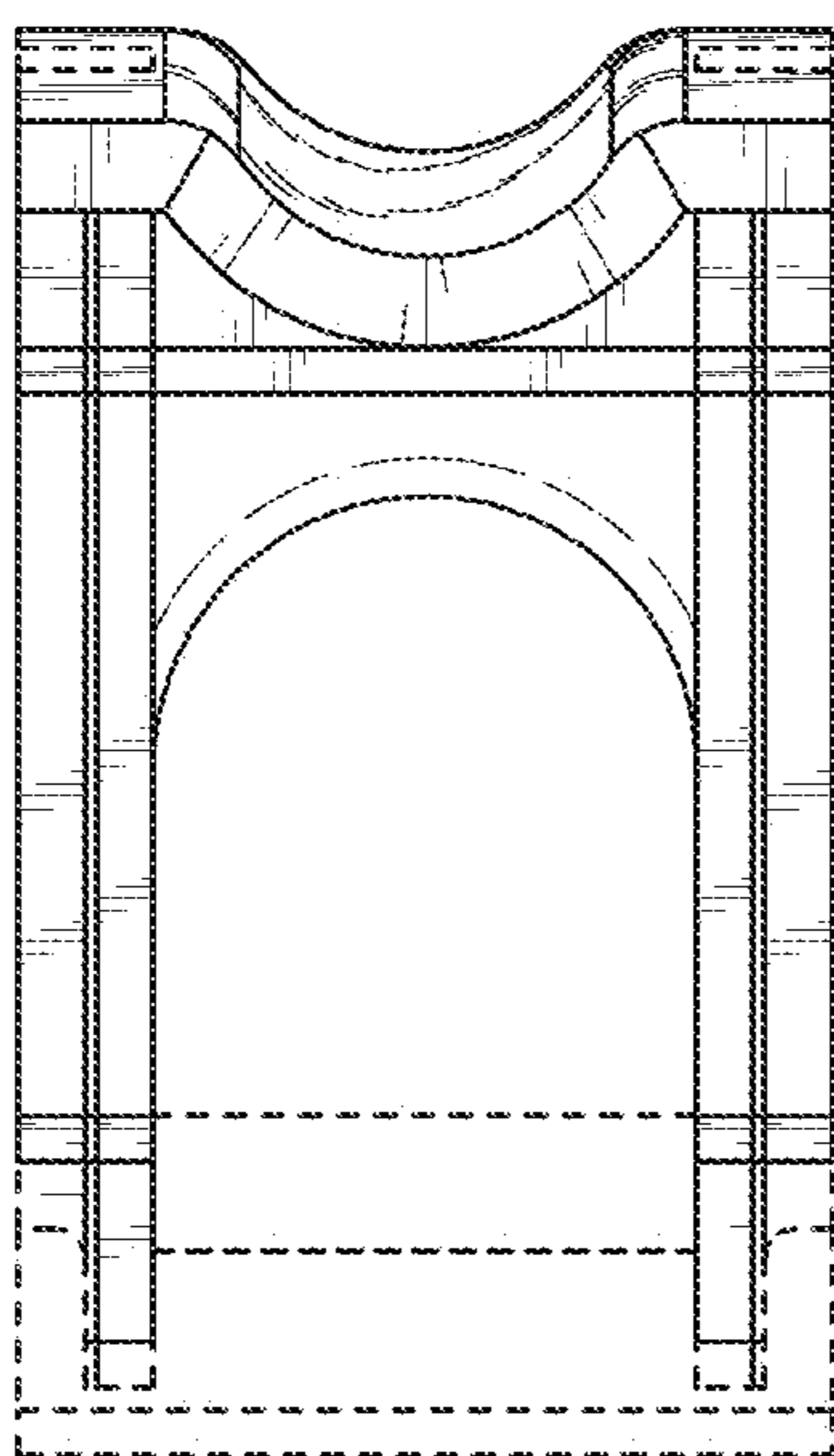


FIG. 6

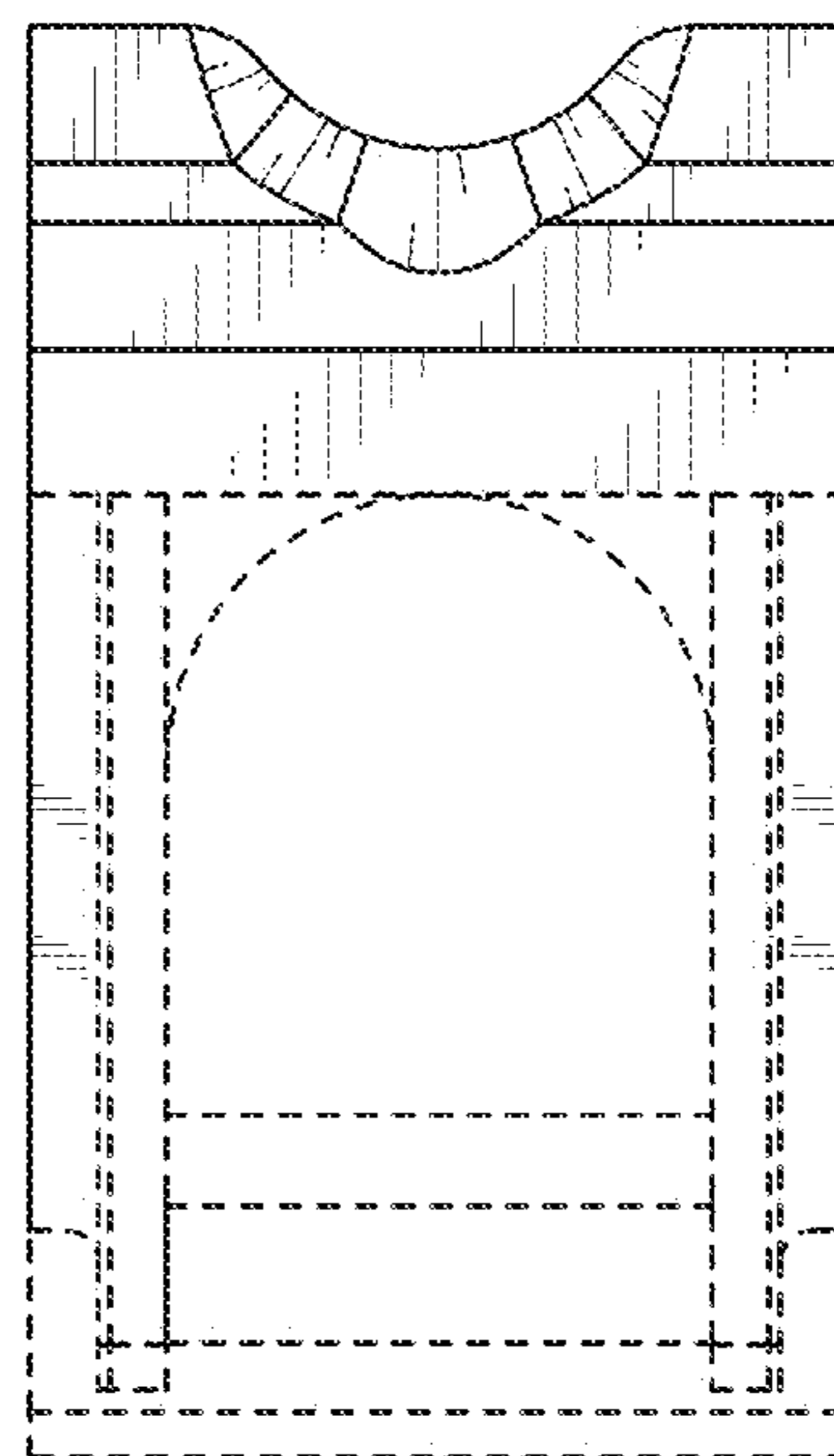


FIG. 7