



US00D979073S

(12) **United States Design Patent** (10) **Patent No.:** **US D979,073 S**
Poirier (45) **Date of Patent:** **** Feb. 21, 2023**

(54) **WHOLE BLOOD TREATMENT CARTRIDGE**

(56) **References Cited**

(71) Applicant: **Qualigen Inc.**, Carlsbad, CA (US)

U.S. PATENT DOCUMENTS

(72) Inventor: **Michael Poirier**, Vista, CA (US)

4,218,313 A * 8/1980 Aid A61M 1/165
210/95

(73) Assignee: **Qualigen Inc.**, Carlsbad, CA (US)

D579,542 S * 10/2008 Ranalletta D24/108

(**) Term: **15 Years**

D579,553 S * 10/2008 Crnkovich D24/111

(21) Appl. No.: **29/833,681**

D864,397 S * 10/2019 Dong D24/169

(22) Filed: **Apr. 6, 2022**

10,744,258 B1 * 8/2020 Poirier B01D 15/3823

D940,893 S * 1/2022 Wisherd D24/224

D952,157 S * 5/2022 Poirier D24/169

2013/0018301 A1 * 1/2013 Weaver A61M 1/3627
210/90

2021/0138145 A1 * 5/2021 Heide A61M 1/3693

2022/0143291 A1 * 5/2022 Poirier A61M 1/3679

* cited by examiner

Related U.S. Application Data

(62) Division of application No. 29/738,845, filed on Jun. 19, 2020, now Pat. No. Des. 952,157.

Primary Examiner — Anhdao Doan

(51) **LOC (14) Cl.** **24-01**

(74) *Attorney, Agent, or Firm* — Evan Law Group LLC

(52) **U.S. Cl.**

USPC **D24/169**; D24/224

(57) **CLAIM**

The ornamental design for a whole blood treatment cartridge, as shown and described.

(58) **Field of Classification Search**

USPC D24/107, 108, 169, 185, 186, 216, 121, D24/224, 111, 219

DESCRIPTION

CPC A61M 1/1601; A61M 1/1602; A61M 1/1694; A61M 1/1696; A61M 2205/123; A61M 2205/125; A61M 2205/3334; A61M 2205/332; A61M 5/142; A61M 1/3693; A61M 1/029; A61M 2202/0427; A61M 2202/0429; A01L 2200/0652; A01L 3/5021; A01L 3/50215

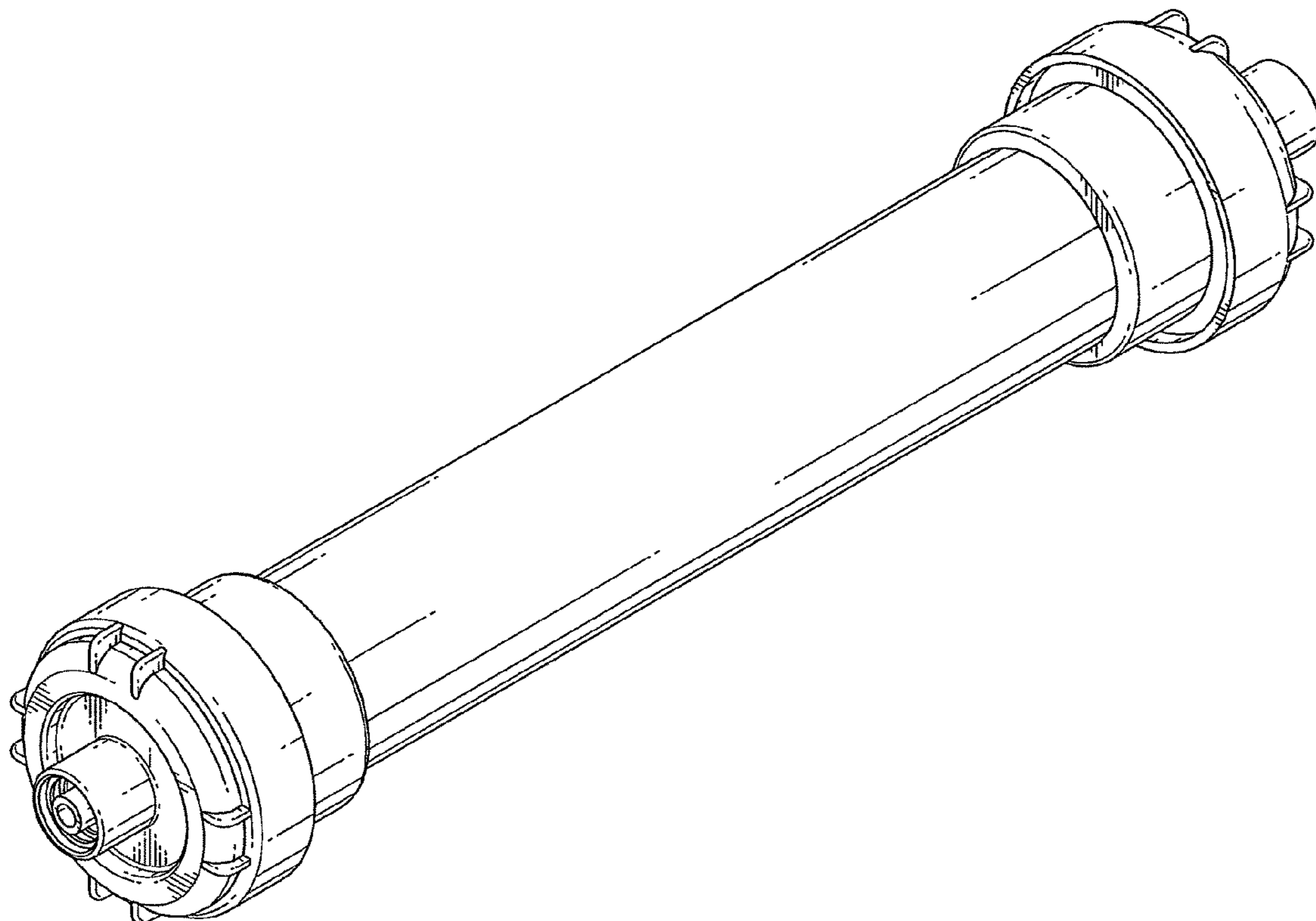
FIG. 1 is a front, top, and side perspective view of a whole blood treatment cartridge;

FIG. 2 is a top plan view thereof; the bottom plan view, front plan view, and back plan view being identical; and,

FIG. 3 is a side plan view thereof; the opposite side being a mirror image.

See application file for complete search history.

1 Claim, 2 Drawing Sheets



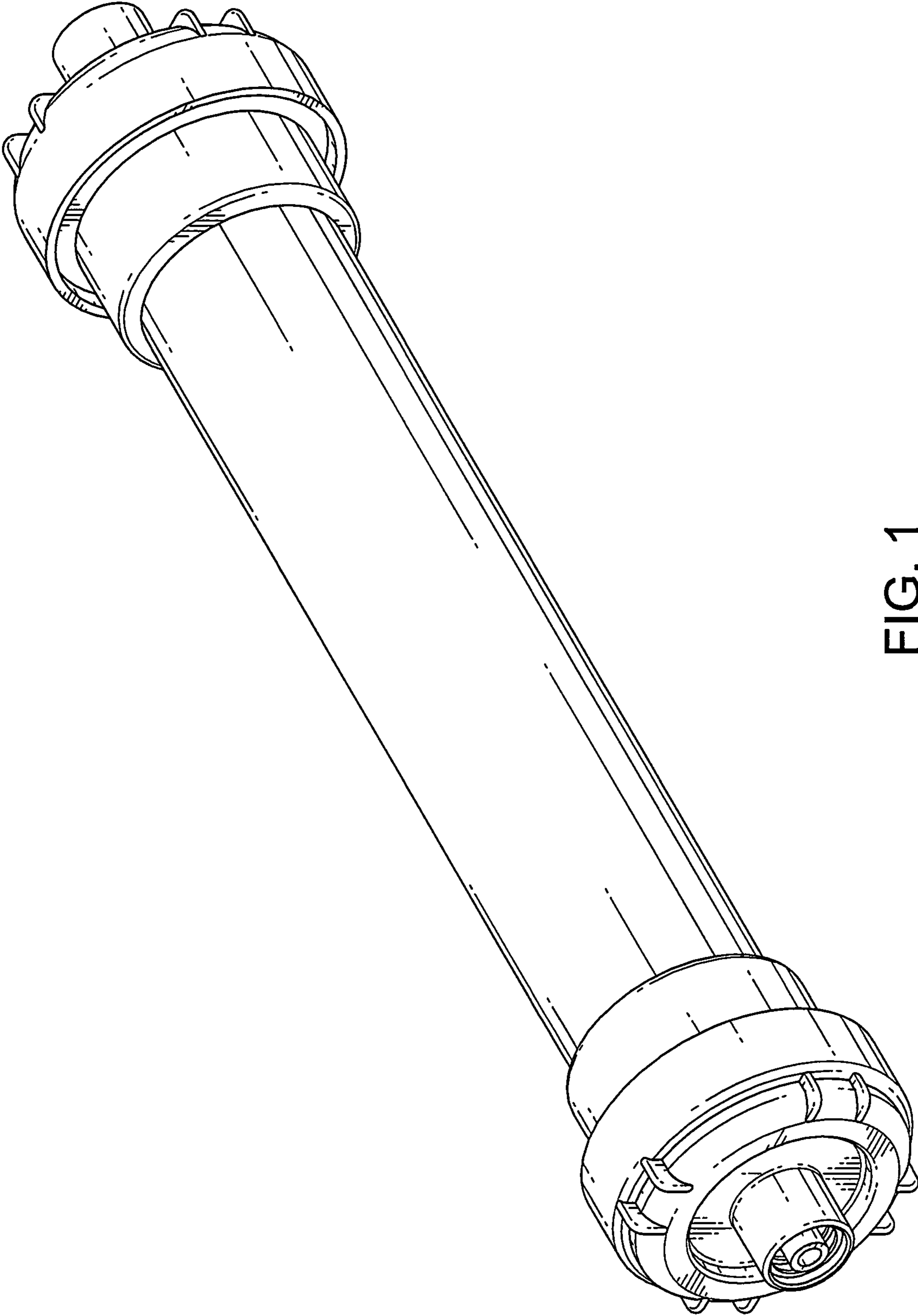


FIG. 1

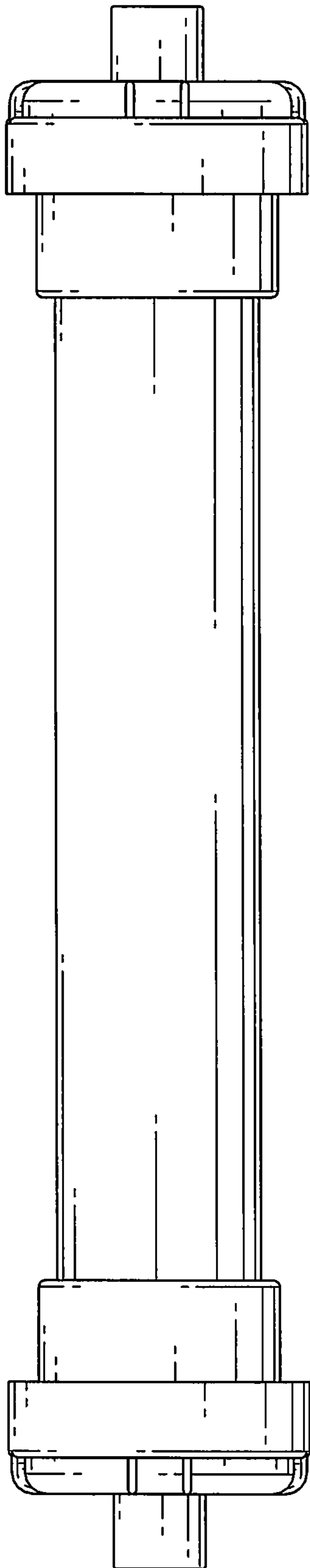


FIG. 2

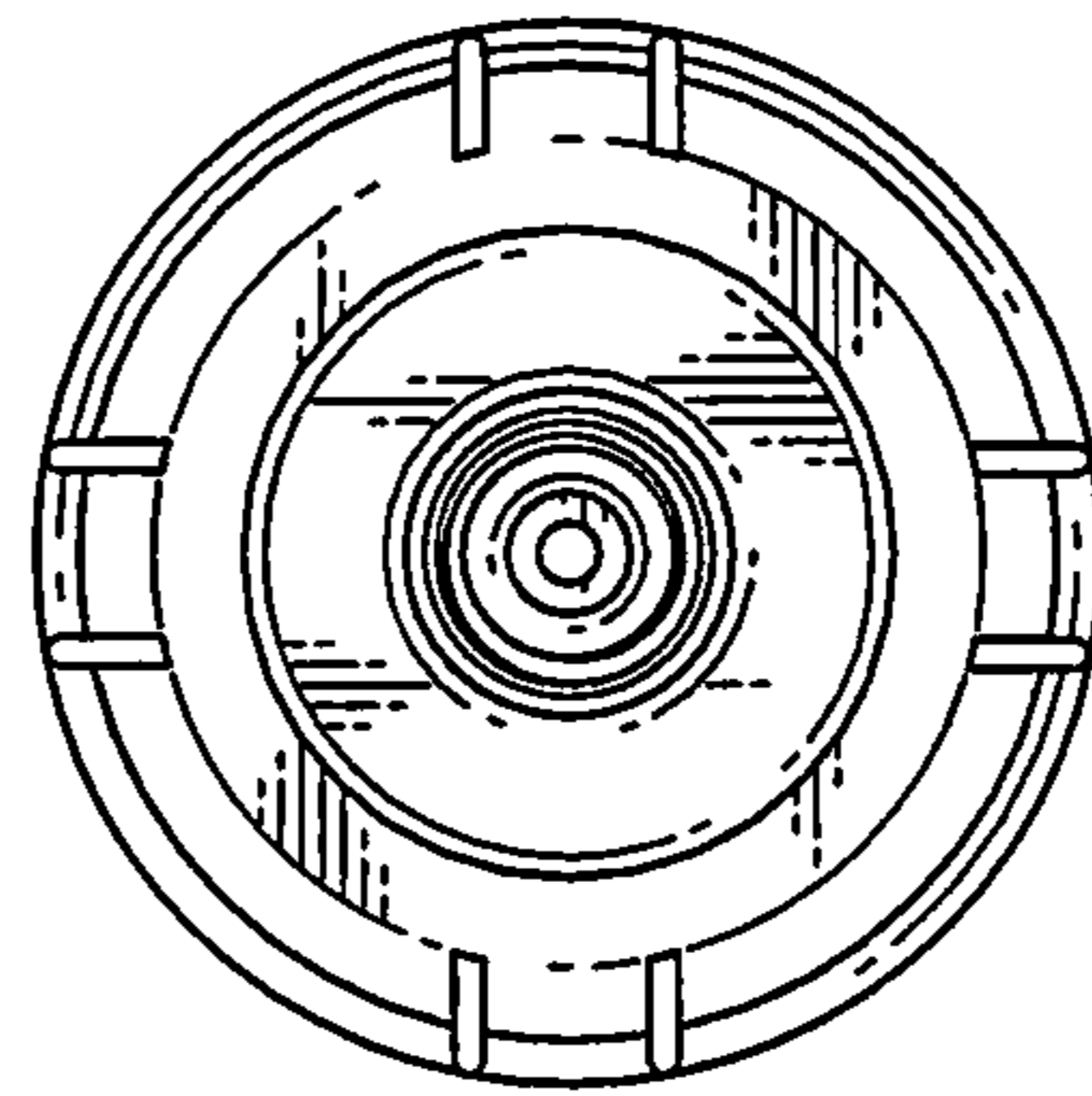


FIG. 3