

US00D979072S

(12) **United States Design Patent**  
**Jameson**

(10) **Patent No.:** **US D979,072 S**  
(45) **Date of Patent:** **\*\* Feb. 21, 2023**

(54) **CONNECTOR**

(71) Applicant: **Zimmer Surgical, Inc.**, Dover, OH  
(US)

(72) Inventor: **Michael Jameson**, North Vancouver  
(CA)

(73) Assignee: **Zimmer Surgical, Inc.**, Dover, OH  
(US)

(\*\*) Term: **15 Years**

(21) Appl. No.: **29/794,191**

(22) Filed: **Jun. 10, 2021**

(51) **LOC (14) Cl.** ..... **24-01**

(52) **U.S. Cl.**  
USPC ..... **D24/169; D13/133**

(58) **Field of Classification Search**  
USPC ..... D24/107, 108, 169, 185, 186, 216, 121,  
D24/224, 111, 129; D13/133  
CPC ..... A61H 2209/00; A61H 2201/5002; A61H  
2201/5015  
See application file for complete search history.

(56) **References Cited**

**U.S. PATENT DOCUMENTS**

D363,988 S	*	11/1995	Dye	.....	D24/129
D706,935 S	*	6/2014	Feurst	.....	D24/169
D788,292 S	*	5/2017	Andersen	.....	D24/108
D875,047 S	*	2/2020	Hu	.....	D13/133
D961,070 S	*	8/2022	Lewis	.....	D24/129

2003/0167070	A1*	9/2003	McEwen	.....	A61B 90/92 606/203
2006/0253150	A1*	11/2006	McEwen	.....	A61B 5/0261 606/202
2012/0215253	A1*	8/2012	McEwen	.....	A61B 17/135 606/202
2014/0291979	A1*	10/2014	Shih	.....	A61H 9/0092 285/120.1
2021/0361522	A1*	11/2021	Chiga	.....	A61H 9/0092

\* cited by examiner

*Primary Examiner* — Anhdao Doan

(74) *Attorney, Agent, or Firm* — Schwegman Lundberg & Woessner, P.A.

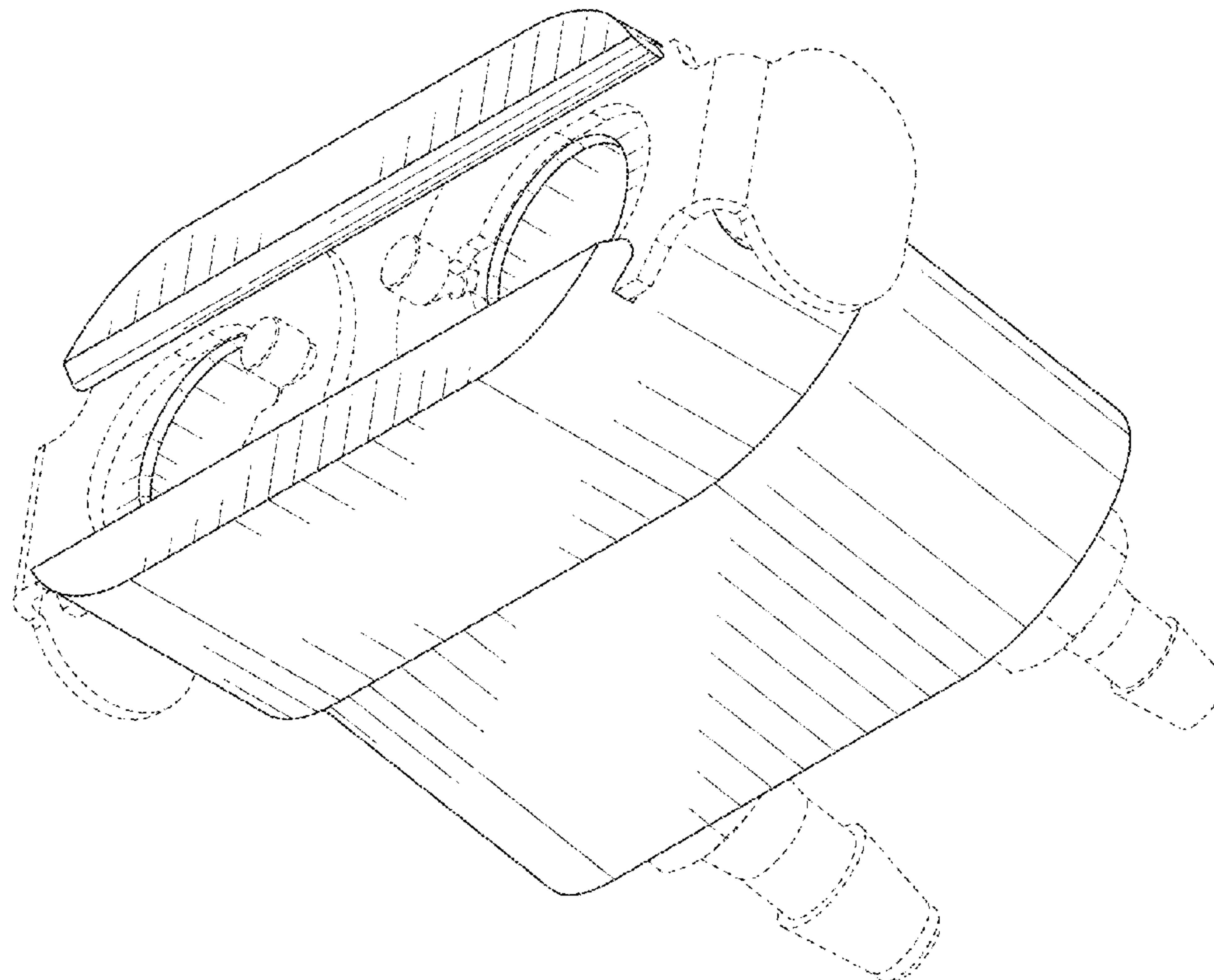
(57) **CLAIM**

I claim the ornamental design for a connector, as shown and described.

**DESCRIPTION**

FIG. 1 is a perspective view of a connector.  
FIG. 2 is a front elevational view thereof.  
FIG. 3 is a rear elevational view thereof.  
FIG. 4 is a right side elevational view thereof.  
FIG. 5 is a left side elevational view thereof.  
FIG. 6 is a top plan view thereof.  
FIG. 7 is a bottom plan view thereof; and,  
FIG. 8 is an additional perspective view thereof.  
The broken lines show portions of the connector that form no part of the claimed design.

**1 Claim, 6 Drawing Sheets**



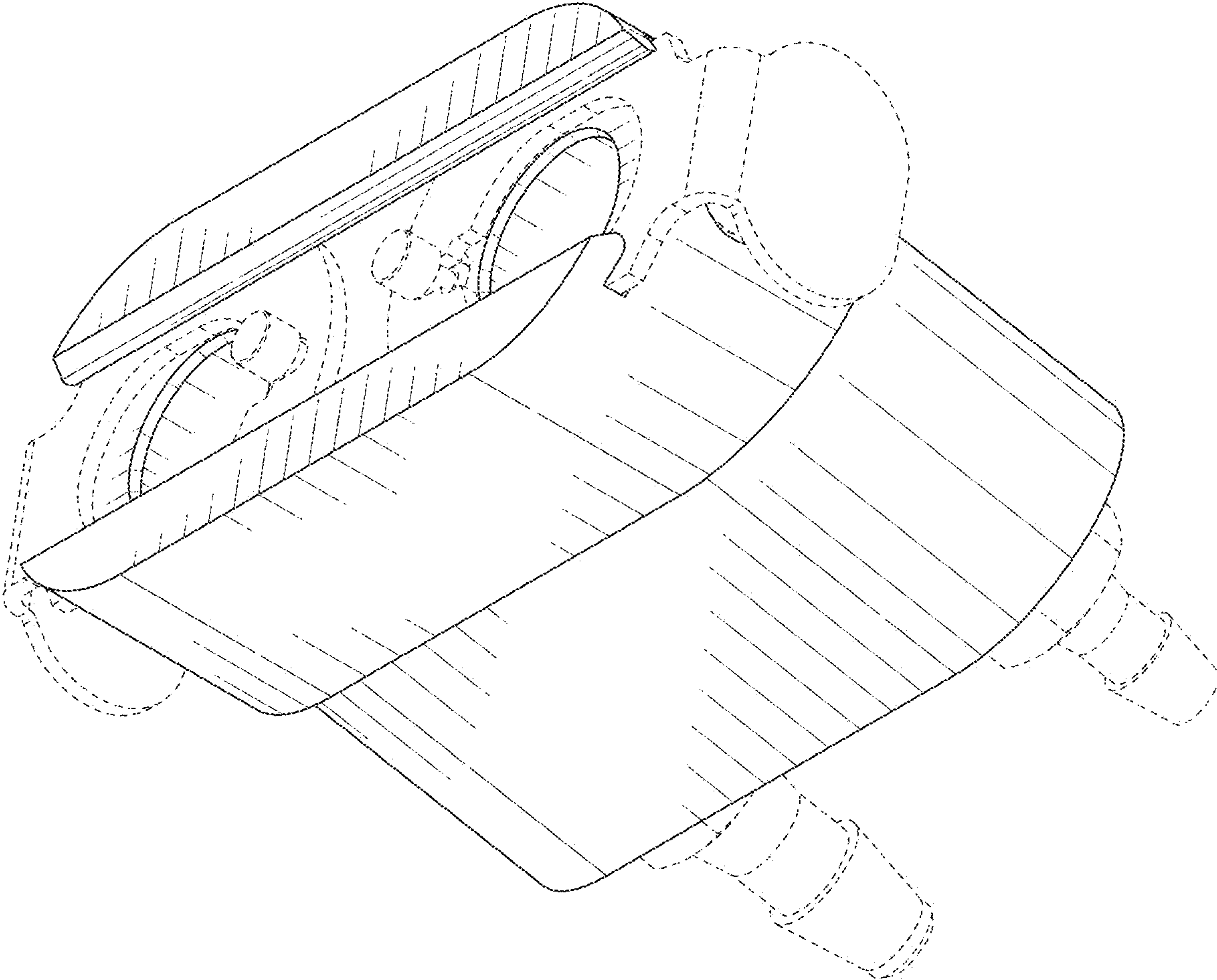


FIG. 1

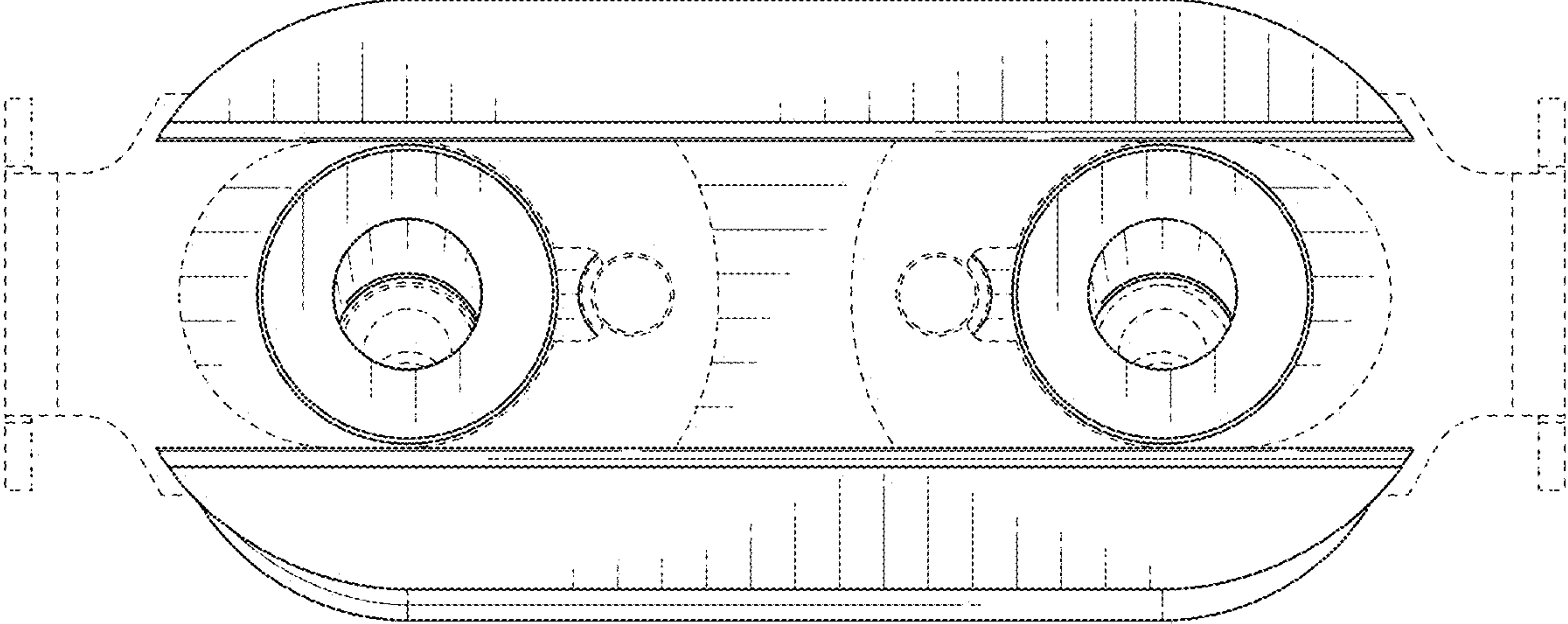


FIG. 2

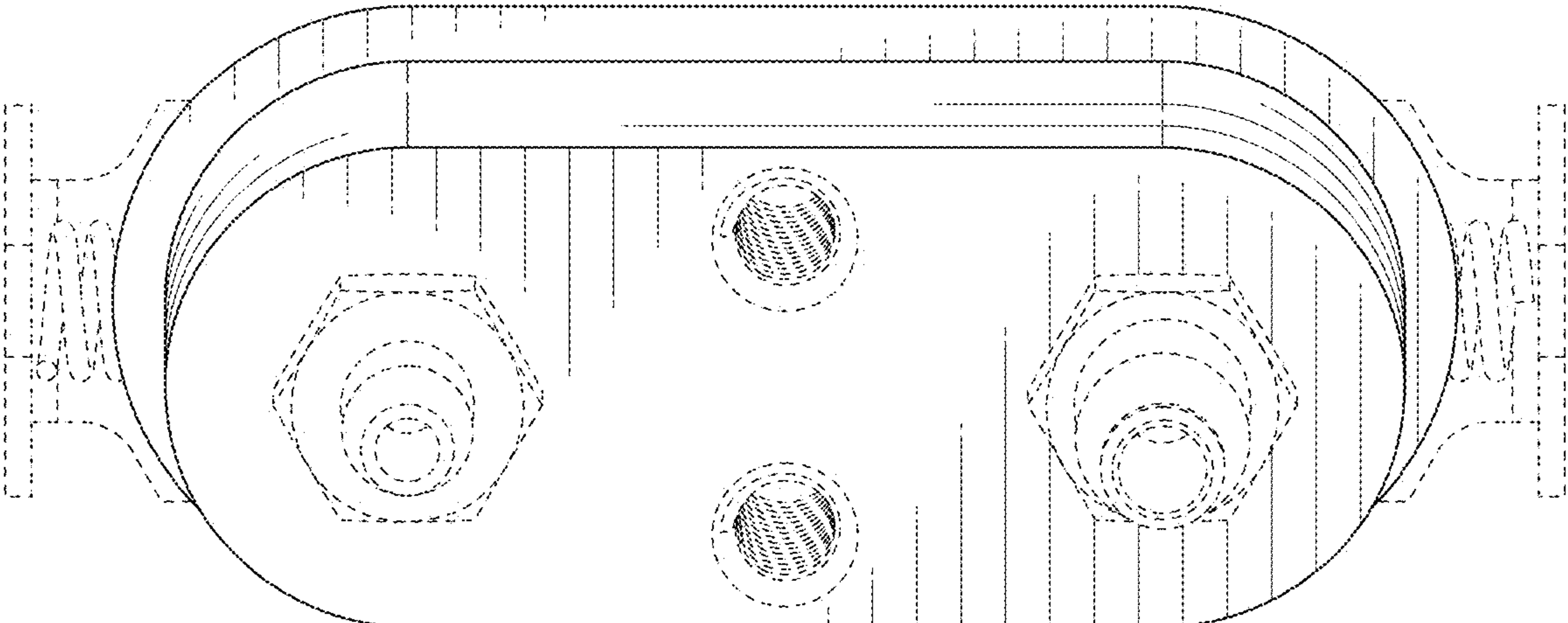


FIG. 3

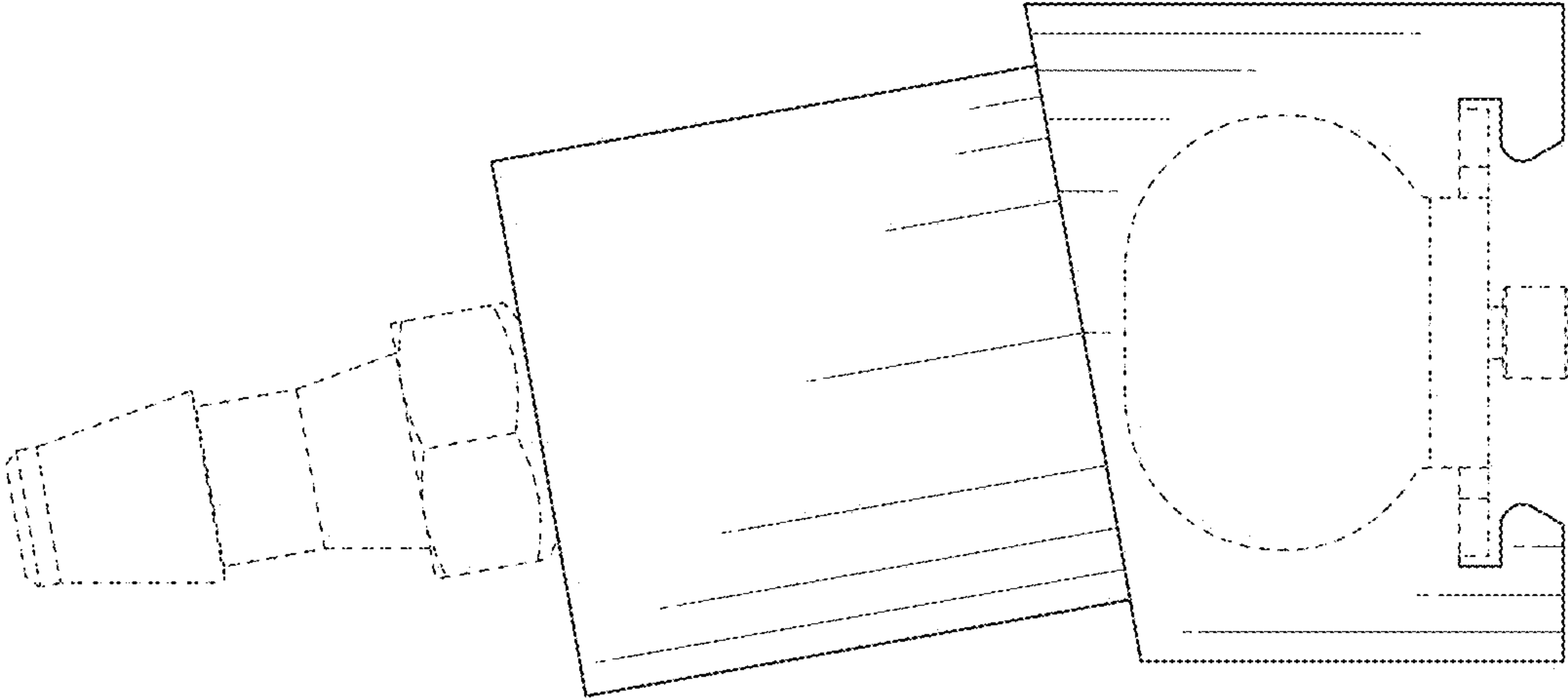


FIG. 4

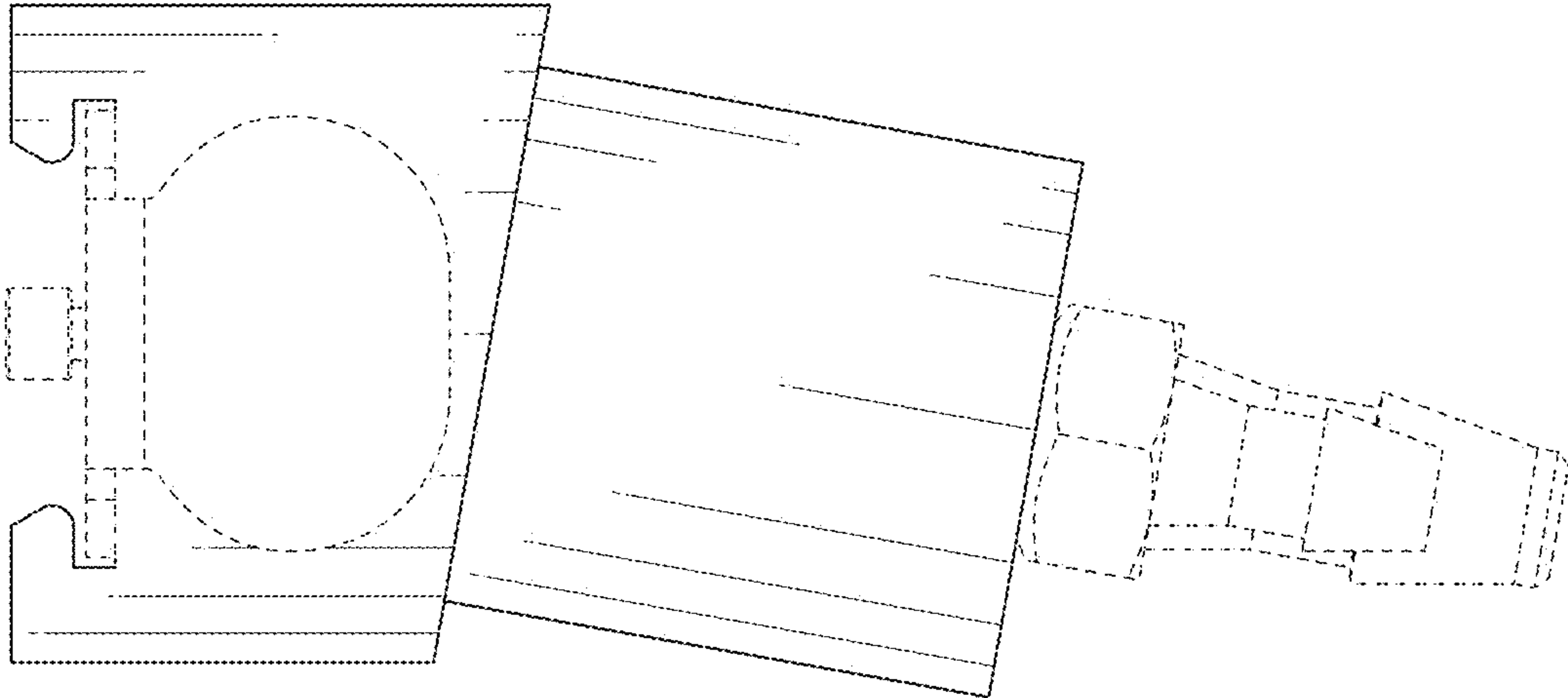


FIG. 5



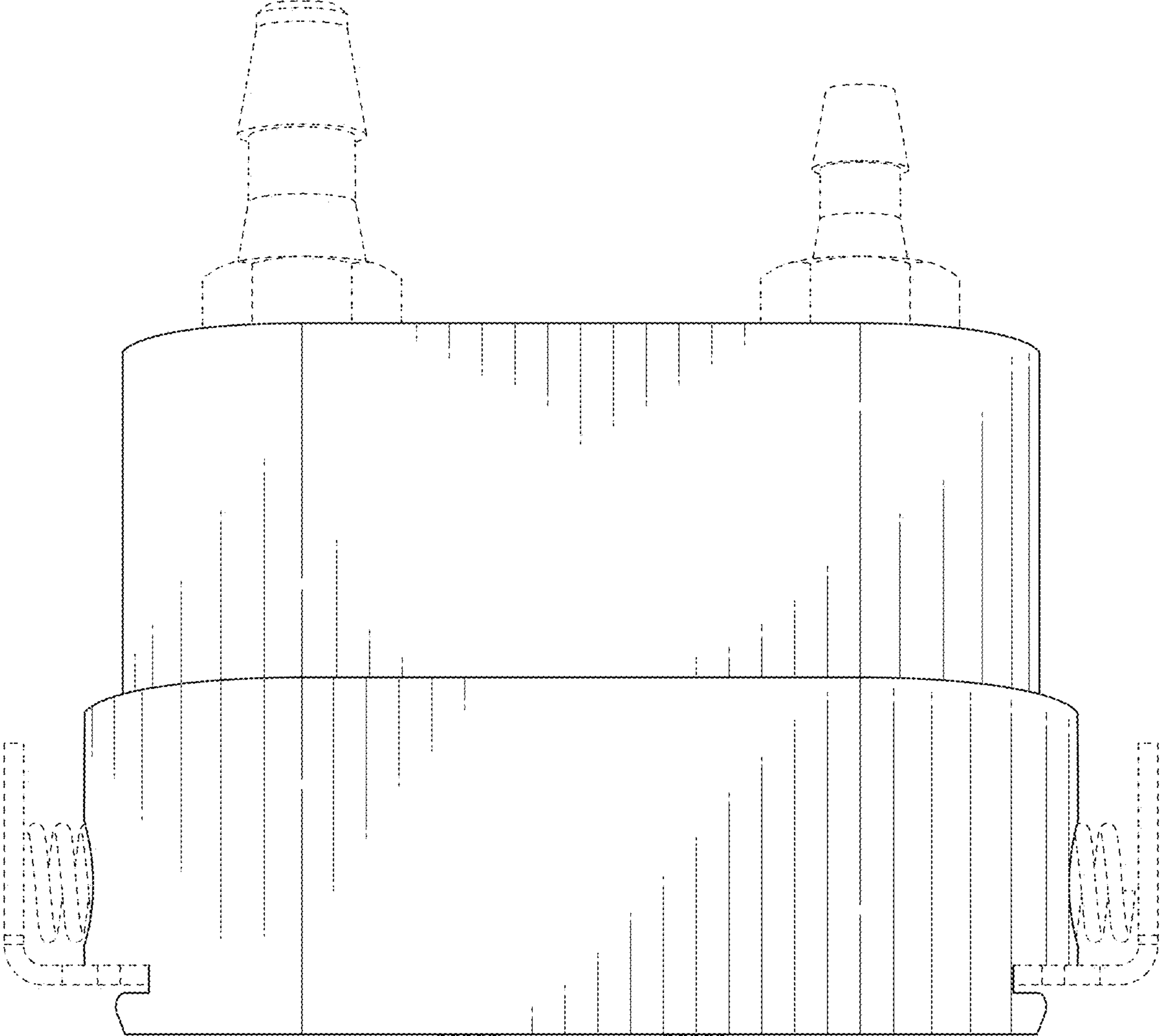


FIG. 6

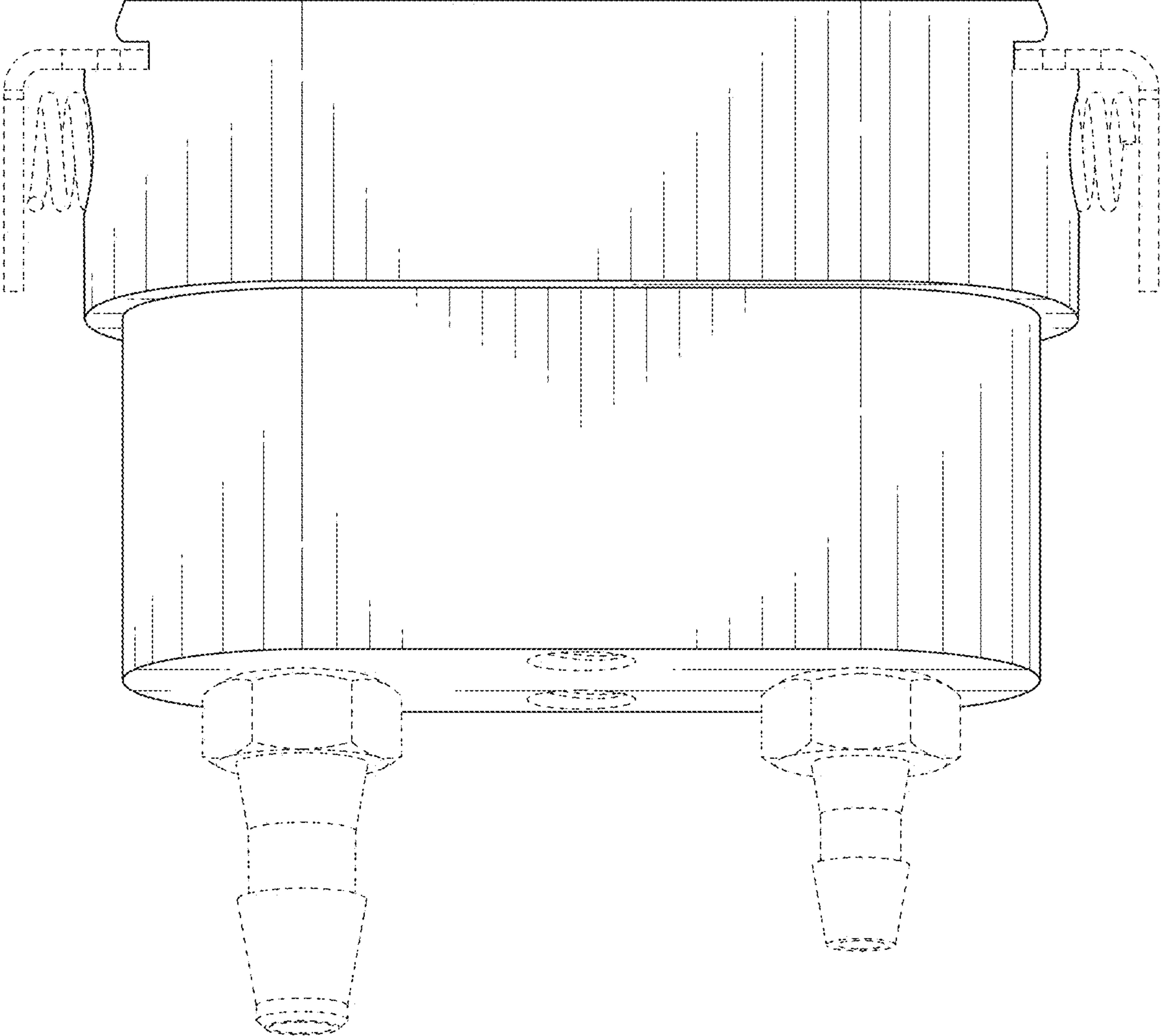


FIG. 7

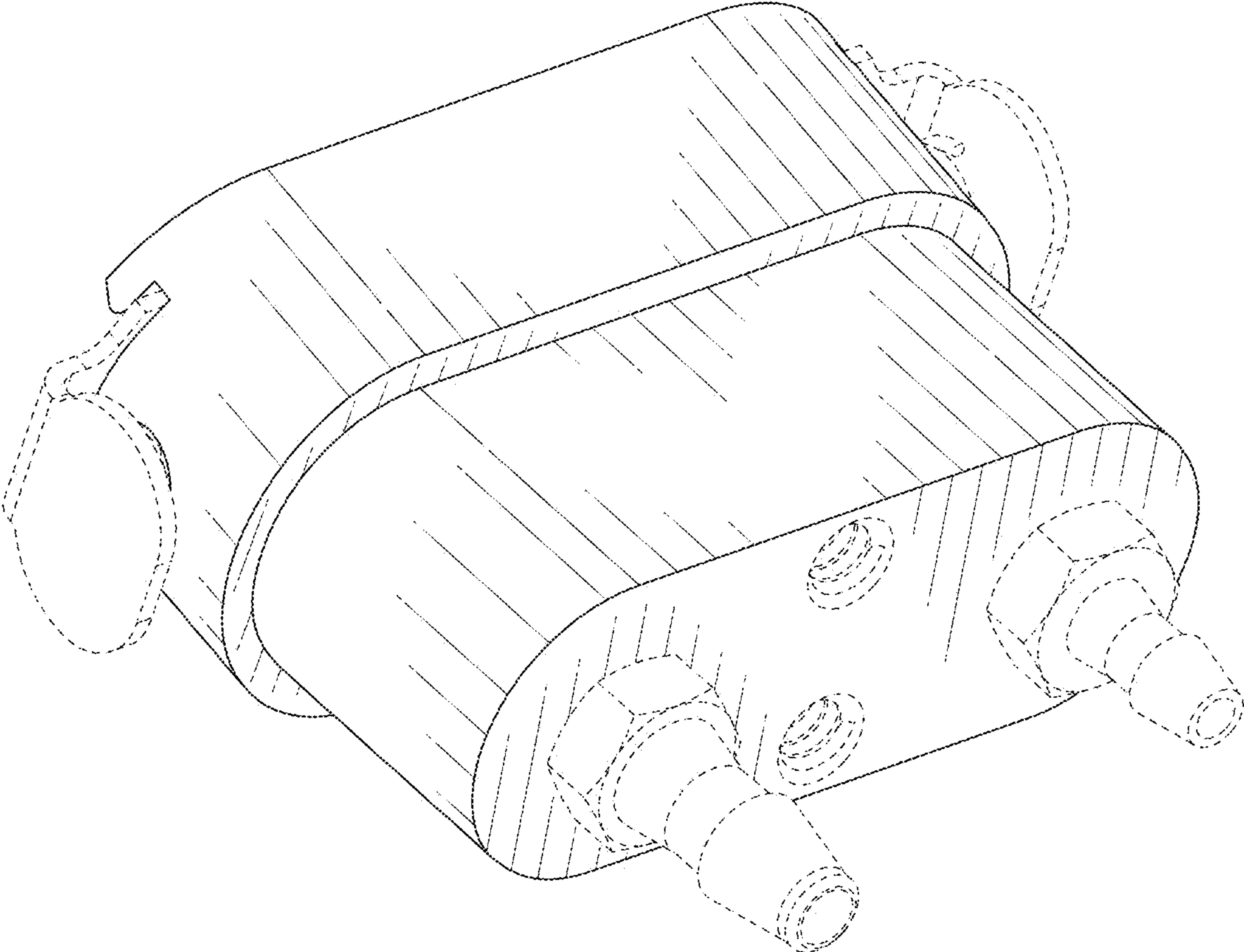


FIG. 8